



CONNECT AND PROTECT

Industrial/Commercial Specifier's Guide


nvent

HOFFMAN

The Hoffman Thermal Management Specifier's Guide, Volume 6, is published by Hoffman Enclosures Inc., 2100 Hoffman Way, Anoka, MN 55303. Extracts from this literature may be copied or reproduced only with prior approval from Hoffman's Marketing Communications Department by emailing info@nvent.com and if the originator is credited. Hoffman's policy is to continually develop and improve products. The company reserves the right to change product detail and technical specifications. We cannot accept any liability for publication errors and omissions.

Subject to change without notice. Phone 763-422-2211 nVent.com/hoffman ©2011-2018 Hoffman Enclosures Inc.



TABLE OF CONTENTS

SELECTING A COOLING SOLUTION

OVERVIEW	12
SEALED ENCLOSURE COOLING	15
SEALED ENCLOSURE COOLING OVERVIEW	16
FRESH AIR ENCLOSURE COOLING OVERVIEW	21

TECHNICAL INFORMATION

UL, CE, EAC CERTIFICATION BENEFITS	30
UL AND IP DEFINITIONS.	31
REMOTE ACCESS CONTROL (RAC)	33

SEALED ENCLOSURE COOLING

AIR CONDITIONERS	36
HEAT EXCHANGERS	242
THERMOELECTRIC COOLERS	282
VORTEX COOLERS	292

FRESH AIR ENCLOSURE COOLING

DIRECT AIR COOLING SYSTEMS (DACs)	304
FILTER FANS	310
AXIAL FANS AND ACCESSORIES	348
FAN TRAYS	352
PACKAGED BLOWERS.	356
AIR MOVERS.	362
BLOWERS	366
ACCESSORIES	370

ACCESSORIES

CONDENSATION MANAGEMENT.	376
PRESSURE COMPENSATION	380
CORROSION INHIBITORS	381
ENCLOSURE HEATERS.	382
CONTROLLERS	391

INDEX

CATALOG NUMBER INDEX.	398
PRODUCT INDEX.	405

QUICK REFERENCE

Use this handy table to match your electrical cooling requirements with the most effective Hoffman solution.

	Air Conditioners							HazLoc	Heat Exchangers		TEC
	SpectraCool	SpectraCool Slim Fit	SpectraCool Narrow	SpectraCool Compact	Proair	T-Series	Water-Cooled	Air Conditioner	CLIMAGUARD Indoor	CLIMAGUARD Outdoor	Thermoelectric
Page Number	36	84	110	158	228	186	238	166	242	258	282
SYSTEM APPLICATION											
For indoor industrial	Red	Red	Red	Red	Red	Red	Red	White	Yellow	White	Orange
For harsh / corrosive environments	Red	White	Red	Red	Red	White	Red	Red	White	Yellow	Orange
For washdown applications	White	White	White	Red	White	White	White	White	White	White	Orange
For outdoor enclosures	Red	White	White	White	White	Red	White	White	White	Yellow	Orange
For telecommunications shelters	White	White	White	White	White	White	White	White	White	Yellow	Orange
TEMPERATURE OF THE ELECTRICAL EQUIPMENT											
Cooler than outside the enclosure	Red	Red	Red	Red	Red	Red	Red	Red	White	White	Orange
Warmer than outside the enclosure	White	White	White	White	White	White	White	White	Yellow	Yellow	White
AIR CONDITIONER COOLING CAPACITY											
1000-2000 BTU/Hr (300-700 Watts)	Red	Red	White	Red	Red	Red	Red	White	White	White	White
4000-6000 BTU/Hr (1200-1800 Watts)	Red	Red	Red	White	Red	Red	Red	Red	White	White	White
8000-12000 BTU/Hr (2300-3500 Watts)	Red	Red	Red	Red	Red	Red	Red	Red	White	White	White
20000 BTU/Hr (5900 Watts)	Red	White	White	White	White	Red	White	White	White	White	White
2-ton 23500 BTU/Hr (6900 Watts)	White	White	White	White	White	Red	White	White	White	White	White
3-ton 42000 BTU/Hr (12300 Watts)	White	White	White	White	White	Red	White	White	White	White	White
5-ton 59000 BTU/Hr (17300 Watts)	White	White	White	White	White	Red	White	White	White	White	White
HEAT EXCHANGER COOLING CAPACITY											
Less than 20 Watts/°F (30 Watts/°C)	White	White	White	White	White	White	White	White	Yellow	White	White
20-60 Watts/°F (30-100 Watts/°C)	White	White	White	White	White	White	White	White	Yellow	Yellow	White
More than 60 Watts/°F (100 Watts/°C)	White	White	White	White	White	White	White	White	White	Yellow	White
THERMOELECTRIC COOLING CAPACITY											
60 Watts (178 BTU/Hr.)	White	White	White	White	White	White	White	White	White	White	Orange
100 Watts (321 BTU/Hr.)	White	White	White	White	White	White	White	White	White	White	Orange
200 Watts (567 BTU/Hr.)	White	White	White	White	White	White	White	White	White	White	Orange
POWER INPUT											
115 & 230 AVC 50/60 Hz	Red	Red	Red	Red	Red	Red	Red	Red	Yellow	Yellow	White
400 / 460 AVC 50/60 Hz 1-phase	Red	Red	Red	Red	Red	Red	Red	Red	White	White	White
400 / 460 AVC 50/60 Hz 3-phase	Red	Red	Red	White	White	White	White	Red	White	White	White
24 & 48 VAC	White	White	White	White	White	White	White	White	White	Yellow	Orange
MOUNTING											
Side	Red	Red	Red	Red	Red	Red	Red	Red	Yellow	Yellow	Orange
Top	White	White	White	White	White	White	White	White	White	White	Orange
Rack	White	White	White	White	Red	White	Red	White	White	White	White
CABINET PROTECTION											
Type 12	Red	Red	Red	Red	Red	Red	Red	White	Yellow	Yellow	Orange
Type 3R	Red	White	Red	Red	Red	Red	White	White	Yellow	Yellow	Orange
Type 4	Red	Red	Red	Red	Red	Red	Red	Red	White	Yellow	Orange
Type 4X	Red	Red	Red	Red	Red	Red	Red	Red	White	Yellow	Orange
CABINET DIMENSION											
Fits 8" / 203 mm	White	White	White	White	White	Red	White	Red	Yellow	White	Orange
Fits 12" / 305 mm	White	White	White	White	White	White	White	Red	White	White	Orange
Fits 16" / 406 mm	White	Red	Red	Red	Red	Red	Red	White	White	Yellow	Orange
Fits 20" / 508 mm or larger	Red	Red	Red	Red	Red	Red	Red	White	White	Yellow	Orange

QUICK REFERENCE

Use this handy table to match your electrical cooling requirements with the most effective Hoffman Filter Fan.

	Side Mount						Top Mount	
	HF04	HF05	HF09	HF10	HF13 395 CFM	HF13 484 CFM	HR16 266 CFM	HR16 348 CFM
Page Number	311	314	317	320	323	326	331	332
18 F/10 C ΔT Cooling Capacity Type 12/IP54 60 Hz 2 Exhaust Grilles								
133 BTU's (39 Watts) .05" Static Pressure								
304 BTU's (89 Watts) .10" Static Pressure								
646 BTU's (198 Watts) .10" Static Pressure								
776 BTU's (315 Watts) .10" Static Pressure								
1,437 BTU's (421 Watts) .15" Static Pressure								
2,305 BTU's (676 Watts) .20" Static Pressure								
2,422 BTU's (710 Watts) .20" Static Pressure								
3,931 BTU's (1,152 Watts) .35" Static Pressure								
3,945 BTU's (1,156 Watts) .45" Static Pressure								
1,929 BTU's (565 Watts) .55" Static Pressure								
4,151 BTU's (1,216 Watts) .85" Static Pressure								
36 F/20 C ΔT Cooling Capacity Type 12/IP54 60 Hz 2 Exhaust Grilles								
267 BTU's (78 Watts) .05" Static Pressure								
609 BTU's (178 Watts) .10" Static Pressure								
1,292 BTU's (379 Watts) .10" Static Pressure								
1,552 BTU's (632 Watts) .10" Static Pressure								
2,874 BTU's (842 Watts) .15" Static Pressure								
4,606 BTU's (1,350 Watts) .20" Static Pressure								
4,845 BTU's (1,420 Watts) .20" Static Pressure								
7,862 BTU's (2,304 Watts) .35" Static Pressure								
7,886 BTU's (2,311 Watts) .45" Static Pressure								
3,859 BTU's (1,131 Watts) .55" Static Pressure								
8,302 BTU's (2,432 Watts) .85" Static Pressure								
18 F/10 C ΔT Cooling Capacity Type 12/IP55 60 Hz 2 Exhaust Grilles								
283 BTU's (83 Watts) .10" Static Pressure								
545 BTU's (220 Watts) .10" Static Pressure								
646 BTU's (290 Watts) .10" Static Pressure								
1,195 BTU's (350 Watts) .15" Static Pressure								
2,064 BTU's (605 Watts) .20" Static Pressure								
2,414 BTU's (707 Watts) .20" Static Pressure								
3,300 BTU's (967 Watts) .35" Static Pressure								
3,273 BTU's (959 Watts) .45" Static Pressure								
36 F/20 C ΔT Cooling Capacity Type 12/IP55 60 Hz 2 Exhaust Grilles								
565 BTU's (165 Watts) .10" Static Pressure								
1,090 BTU's (442 Watts) .10" Static Pressure								
1,292 BTU's (580 Watts) .10" Static Pressure								
2,390 BTU's (940 Watts) .15" Static Pressure								
4,128 BTU's (1,209 Watts) .20" Static Pressure								
4,828 BTU's (1,415 Watts) .20" Static Pressure								
6,600 BTU's (1,934 Watts) .35" Static Pressure								
6,547 BTU's (1,918 Watts) .45" Static Pressure								
POWER INPUT								
115 & 230 AC Volt								
400 / 460 AC Volt 3-Phase								
24 DC Volt								

* NOTE: Top-mount filter fan capacities assume two air intake grille kits.

MAXIMIZE THE LIFE OF YOUR EQUIPMENT - CHOOSE HOFFMAN

NEW PRODUCTS

SPECTRACOOL SLIM FIT INDOOR AIR CONDITIONERS



Three space saving mounting options combine with superior design and features to make SpectraCool Slim Fit the air conditioner of choice. Easy to specify and easy to use, they provide the flexibility needed to meet industrial customers requirements worldwide.

SLIM FIT AC FEATURES

- Models with 1,000 to 13,500 BTUs/hr cooling power
- 115, 230 and 400/460 3-phase VAC power supply
- Active condensate management
- Three mounting options: fully recessed, partial recessed and surface mount
- Same cutout and performance as other slim air conditioners

SPECTRACOOL N16 AND N21 COMPACT INDOOR AIR CONDITIONERS



These narrow design air conditioners accommodate 12-inch deep cabinets. Includes an attractive industrial design with minimal use of visible fasteners.

N16 AND N21 AC FEATURES

- Models with 800 to 2000 BTUs/hr cooling power
- 115, 230 and 400/460 3-phase VAC power supply
- Narrow construction to fit any 12-inch deep enclosure
- UL Listed to save customers time and money
- Cleanable, reusable aluminum mesh filter protects coils for maximum cooling performance

SPECTRACOOL HAZARDOUS LOCATION INDOOR/OUTDOOR AIR CONDITIONERS



Design based on the SpectraCool Narrow Series platform. This hazardous location air condition is lighter than similarly sized competitive hazloc models. Heresite protective coatings and ecoating helps prevent corrosion of key components.

FILTER FANS



Hoffman UL/cUL Listed filter fans are designed for superior performance, with numerous options available to suit the broadest range of cooling applications. Clean, attractive filter fans are engineered with rugged UV-resistant plastic. Their Click-Fit design facilitates fast and easy installation, and a simple, Easy-Grip grille tab allows for fast and easy filter replacement.

HAZARDOUS LOCATION AC FEATURES

Class 1 Div 2 Groups A, B, C, D T4A

- Models with 4,000 to 11,000 BTUs/hr cooling power
- Attractive design with no heavy cast enclosure
- 115, 230 and 400/460 3-phase VAC power supply
- Narrow construction to fit any 12-inch deep enclosure
- Type 4, 4X and Offshore models available

FILTER FAN FEATURES

- Size range from 4 in. (102 mm) to 13 in. (325 mm)
- Free air flow from 21 CFM (36 m³/hr.) to 484 CFM (822 m³/hr.)
- Service life hours from 40,000 to 100,000 hours
- Operating temperature range from -4 F/-20 C to 149 F/65 C

NEW INNOVATIONS

SPECTRACOOL REMOTE ACCESS CONTROL

Hoffman's SpectraCool Air Conditioners with Remote Access Control (RAC) enables customers to do a lot more with less. Providing the capability to remotely monitor and control an entire network of air conditioners from virtually anywhere in the world, RAC can significantly increase productivity while reducing labor costs! This capability also greatly enhances the systems overall reliability and reduces the likelihood of an unchecked system failure which can result in an extended, unplanned system shutdown costing significant time and money.

GLOBAL COMMUNICATION PROTOCOLS AVAILABLE: Profinet, EtherNet/IP, Modbus, TCP and SNMP

SpectraCool Air Conditioners are now equipped with a Master-Slave functionality that allows, through interconnectivity, for a single air conditioner unit to remotely monitor and control other air conditioners. The benefits of this new feature is that it reduces the network connectivity requirements by using one network port and minimizes the number of unique IP addresses required to control all air conditioners on the network.

KEY BENEFITS

• Visibility

Access to all cooling devices across all global locations from a single network

• Immediate Detection

Instantaneous identification of alarms from cooling systems in all facilities.

• Reduced Maintenance Costs

Keeping components running within optimal environmental conditions reduces the chance of failure.

• Enhanced Control

Remotely adjust temperature settings for individual or groups of cooling systems units.

• Increased Maintenance Efficiency

Eliminate manual functionality checks and thermal audits.

• Increased Safety

Added mitigation of injury or incident by monitoring enclosure door sensor alarms.

• Promote Energy Efficiency

Minimize the requirement for cooling by adjusting to variation in ambient temperatures.

• Monitor Environment Variances

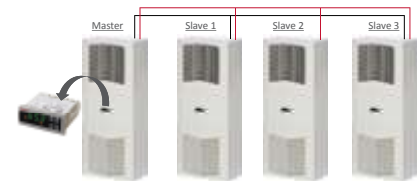
Integrated frost, pressure and temperature alarms allow a better understanding of the environment your components are being exposed to.

• Minimize Downtime

Identifying failure and addressing cooling alarms immediately minimizes downtime caused by component failure.

• Peace of Mind

Rest assured knowing your systems are running optimally and can be monitored at all times from any location.



AIR CONDITIONER CORROSION PROTECTION

For applications where air conditioners are exposed to harsh, corrosive environments containing elements such as sodium chloride, hydrogen sulfide, chlorine, sulfur, ammonia, ozone, sodium hypochlorite, etc., Hoffman can provide additional protective coatings. These coatings work to protect the critical components within Hoffman's Air Conditioners, extending their life and optimal performance levels.

APPLICATIONS:

- Waste water treatment plants
- Chemical plants
- Pulp and paper mills
- Food processing facilities
- Tire manufacturing plants
- Petrochemical refineries



KEY BENEFITS

- Extend life of air conditioning unit
- Reduce replacement unit costs
- Minimize operational downtime

PROTECTION TYPE	DESCRIPTION	PROTECTION LEVEL	
		1	2
Coil Guard Condenser	Hoffman's E-Coat applied to the condenser coil for increased protection against corrosive ambient conditions.	X	X
Copper Guard Condenser	Special coating applied to the copper tubing on the exposed area of the ambient side for increased protection against corrosive conditions.	X	X
Coil Guard Evaporator	Hoffman's E-Coat applied to the evaporator coils for increased protection on the enclosure side of the air conditioner.		X
Copper Guard Evaporator	Coating applied to the copper tubing on the exposed area (including TXV and bulb) of the enclosure side of the air conditioner.		X
Thermostat	Foam wrap on thermostat and special coating on sensing bulb.		X

- Maintain optimal performance for extended periods
- Reduce risk of overheating valuable equipment inside enclosure
- Available upon request on most Hoffman Air Conditioners

Contact your local distributor or Hoffman Sales Representative with questions or requests for additional information.

ENGINEERED PROTECTIVE COOLING SOLUTIONS

DELIVERED WITH UNPARALLELED FLEXIBILITY, ENGINEERING EXPERIENCE AND SPEED-TO-MARKET



From simple blowers, to packaged heat exchanger cores and sophisticated water-cooling devices, nVent Hoffman designs and manufactures engineered thermal management systems for virtually any cooling application.

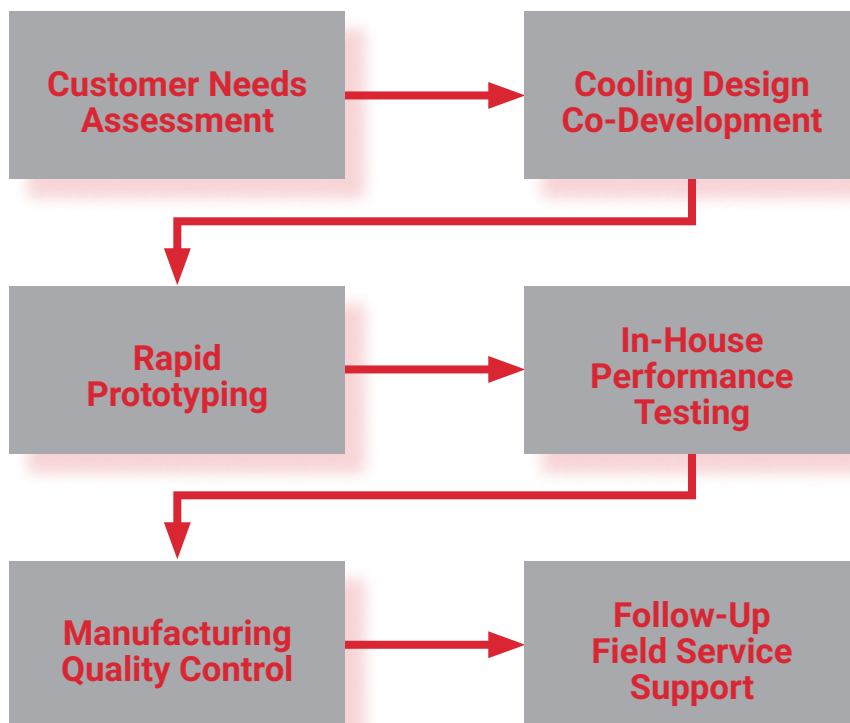
Nobody matches our flexibility, engineering experience and speed-to-market, thanks to these custom solution capabilities:

- More than 100 combined years of thermal management engineering experience
- Rapid component prototyping
- Extensive in-house test facilities—CFD modeling, thermal cycling, salt fog, sound chamber and airflow
- UL client test data program for fast agency approvals

ENGINEERED SOLUTION PROCESS

Each design-to-spec cooling project is assigned a lead thermal engineer and supported by a dedicated cross-functional team. We then follow a proven development process from start to finish with every customer, ensuring timely and successful delivery of the engineered thermal solution.

ENGINEERED SOLUTION DEVELOPMENT PROCESS



ENGINEERED AIR CONDITIONERS

Hoffman engineered air conditioner solutions are designed and built by some of the most knowledgeable engineers in the industry. Using proven, environmentally-friendly components, our experts can develop an energy-efficient, low-noise, reliable cooling system that fits your unique cooling requirements.

Hoffman offers engineered electrical controls to enhance performance and protect your electrical equipment. These intelligent control systems range from low-cost airflow sensors to complex configurations with multiple sensors monitoring and reporting cooling status, faults and remote communications.

Your engineered unit will undergo our in-house, "severe conditions" test to ensure it meets your exact performance parameters. We will ensure each air conditioner meets UL, cUL, CSA, Bellcore, NEMA, IEC, EAC, European Safety and FCC compliances and standards. On-site UL certification is also available.



ENGINEERED HEAT EXCHANGERS

Hoffman's thermal management experts work closely with your project team to design, develop and manufacture engineered heat exchanger solutions to your exact specifications. Engineered units are available with AC and DC high-efficiency air movers or DC-only with a battery backup.

We offer corrosion-resistant designs and finishes, such as conversion coating, powder paint and chromate. Intelligent controls can be added with functions you specify, including speed control, fault indication, diagnostics, power conditioning, filtering and RS232 and I2C communications.

Using proprietary software to develop custom heat exchanger prototypes, we can test several unit dimensions and predict performance prior to build. If your lead time is short, prototypes can often be manufactured in less than two weeks.



LOCAL SERVICE

COVERAGE YOU CAN COUNT ON

With nVent Hoffman, you're assured of the most complete maintenance and service offerings. That means reduced downtime, higher levels of overall system performance, and maximum operational life for your protected equipment. Our product quality and complete aftermarket care keeps your equipment running.

nVent Hoffman offers pre- and post-sales services and support to let you choose the right cooling product for the job, and tailor the level of assurance you need to mitigate risks. Our plans and offerings include

- A choice of flexible service plans that can be customized to your needs
- Extended product warranties
- Custom installation, commissioning and upgrades
- Comprehensive maintenance and repair plans



9,000
 AUTHORIZED
 TECHNICIANS
 WORLDWIDE

**Factory-authorized
 service available
 around the globe**

AN UNRIVALED STRATEGIC PARTNERSHIP FOR THE MOST RESPONSIVE LOCAL SERVICE



Through a partnership with Johnson-Northwest, nVent Hoffman offers unsurpassed service presence and response in North America with expertise that reaches worldwide. JNW delivers full-service capabilities and complete in- and out-of-warranty service for nVent Hoffman thermal management products from over 570 local service locations in North America.

THROUGH JNW, HOFFMAN OFFERS:

- 24/7/365 service availability
- Online service requests
- Factory-authorized expertise to service all nVent Hoffman models and many competitor models
- Local service in hundreds of North American cities and around the globe
- In-stock availability for selected cooling parts
- Global coordination of service and maintenance programs
- Expedited service and parts availability
- Extensive reporting capabilities including up-to-date status monitoring
- Automatic emails about change-to-repair-order status

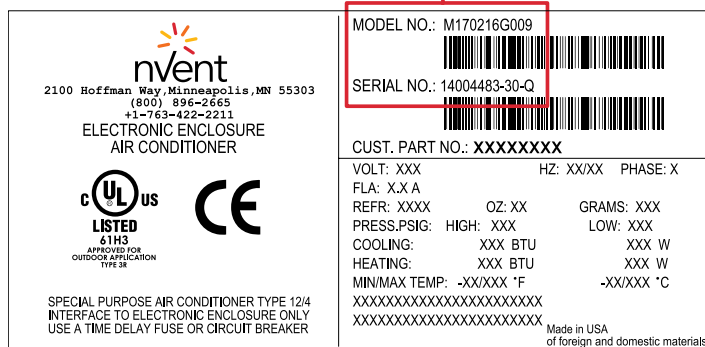
PEACE-OF-MIND

INCLUDED WITH EVERY HOFFMAN PRODUCT

ONE YEAR STANDARD WARRANTY

nVent Hoffman cooling products are warranted to be free from manufacturing defects in materials and workmanship for one year from date of shipment. This is subject to certain conditions and exclusions.

Model and Serial Numbers



Year Week

SERIAL NO.: 14004483-30-Q

PARTS BUNDLES HELP YOU STAY PREPARED

Designed for your specific nVent Hoffman cooling units and to anticipate the requirements of your applications, our maintenance and field support bundles offer essential parts to maintain your equipment or restore operation in the event of a failure. Maintenance and support bundles can be purchased when the unit is installed, or any time after the unit is put into service.

HOFFMAN MAINTENANCE BUNDLES

- Includes the necessary consumables

HOFFMAN SUPPORT BUNDLES

- Includes critical service parts designed to quickly restore operation in the event of a breakdown
- Tailored to your nVent Hoffman Cooling model and application maintenance on your Hoffman unit

AFTERMARKET SUPPORT – REGIONAL LOCATIONS

NORTH AMERICA

2100 Hoffman Way
Minneapolis, Minnesota 55303-1745 U.S.A.
Tel: +1.763.421.2240

BRAZIL

Rua Joao Marcon, 165
18550.000 – Centro
Boituva – SP
Tel: +55.15.3363.9148

EUROPE

Langenalber Straße 96-100
75334 Straubenhardt, Germany
Tel: +49.7082.794.0

CHINA

21st Floor of Cloud Nine Plaza
No. 1118 West Yan'an Road
Changning District, Shanghai
P.R. China
Tel: +86.21.2412.6943

SINGAPORE

18 Boon Lay Way
TradeHub 21, #04-110/111
Singapore 609966
Tel: +65.6768.5800

OVER
1,000
COOLING SPARE
PARTS WHEN
YOU NEED THEM

FOR MORE INFORMATION:

NVENT.COM/HOFFMAN

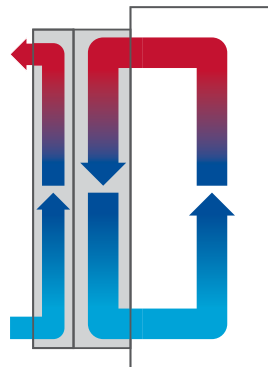


CHAPTER 1

SELECTING A COOLING SOLUTION

OVERVIEW

Keeping your electrical cool is essential to extending their life and keeping your business running. Heat can have a significant impact on electrical equipment, causing damage and voiding manufacturers' warranties. Cooling sensitive electrical equipment increases service life and reduces capital expenses.



SEALED ENCLOSURE COOLING

Sealed enclosure cooling, also known as a “closed-loop system”, allows no outside elements inside the enclosure. It is generally required for applications operating in high temperatures—typically over 35°C/95°F—or when the enclosure is deployed in harsh environments, such as an outdoor telecom base, wastewater treatment plant, metal working, oil rig, paper mill, foundry and/or generates high heat from its own components.



CHAPTER CONTENTS

OVERVIEW

Why Cool Electrical Equipment in the First Place?	12
Heat Ruins Electrical Equipment	12
Sources of Heat	12
Trend Toward More Damaging Heat	12
The Consequences of Damaging Heat	12
Conductive Enclosure Cooling	13
Fresh Air Enclosure Cooling	13
Sealed Enclosure Cooling	13
Sealed vs. Fresh Air Enclosure Cooling	14

SEALED ENCLOSURE COOLING

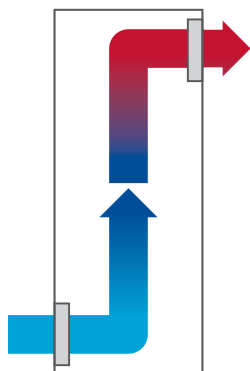
Introduction	15
--------------------	----

SEALED ENCLOSURE COOLING OVERVIEW

Air Conditioner Cooling Capacity Overview	16
Part A: Determine Internal Heat Load	16
Part B: Determining Heat Transfer Load Overview	17
Simple Chart Method	17
Determine Total Heat Load	18
Equation Method	18
Heat Exchanger Cooling Capacity Overview	19
Determine Internal Heat Load	19
Determine Heat Transfer	19
Determine Heat Exchanger Capacity	20

FRESH AIR ENCLOSURE COOLING OVERVIEW

Introduction	21
What Is Airflow?	21
What Is Static Pressure?	21
How is Performance Characterized?	22
What Are the Capabilities of Each Air Mover?	22
Airflow Design Options	23
Choosing an Air Mover	24
Power Input	24
Enclosure Protection	24
Airflow	24
Step 1. Determine Delta-T (ΔT)	25
Step 2. Determine Internal Heat Load	25
Step 3. Determine Free Airflow	26
Step 4. Estimate System Impedance	27
Step 5. Select Your Air Mover	27
Friendly Reminder	27



FRESH AIR ENCLOSURE COOLING

Fresh air cooling, referred to as an “open-loop system”, ventilates fresh air through the cabinet, exhausting heat away from hot electrical

equipment. Fresh air cooling is optimal when the electrical system is deployed in a relatively clean and cool environment, such as an office building, data networking center or light-duty factory.

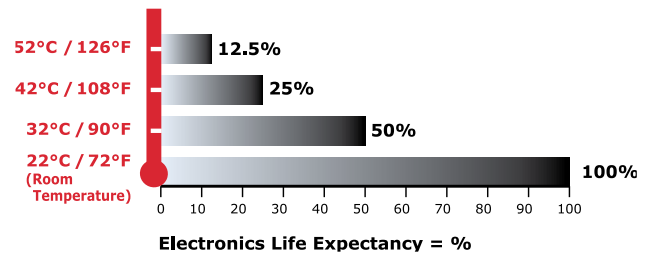
WHY COOL ELECTRICAL EQUIPMENT IN THE FIRST PLACE?

Keeping your electrical equipment cool is essential to extending their life and keeping your business running.

HEAT RUINS ELECTRICAL EQUIPMENT

The life expectancy of electrical equipment is cut in half every 10 C / 18 F they operate above room temperature. Operating electrical equipment above certain temperatures can void manufacturers' warranties, making proper cooling essential. Cooling vital electrical equipment increases service life and reduces capital expenses over the long-term.

Electronics Life Expectancy with Every 10° C Rise over Room Temperature



SOURCES OF HEAT

Damaging heat can come from a variety of sources. Inside the cabinet, heat can come from:

- AC power supplies
- Controllers, drives and servos
- Transformers and rectifiers
- Processors and server racks
- Radio equipment
- And other electrical components

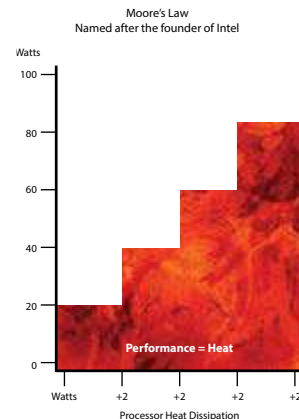
Heat also comes from sources outside the enclosure such as:

- Solar heat gain
- Welding processes
- Paint oven
- Blast furnace
- Foundry equipment

TREND TOWARD MORE DAMAGING HEAT

For the foreseeable future, the trend is toward increasing levels of heat in electrical equipment, not decreasing, because the market's thirst for more information processing capacity and speed continues to grow. This trend is known as "Moore's Law."

More powerful data-processing electrical equipment generates extra heat with virtually every new system that is designed. There is no guarantee that an application which did not require much, if any, cooling in the past will not need cooling in the future. The new system likely has more functionality and will probably require some form of cooling as a result.



THE CONSEQUENCES OF DAMAGING HEAT

Heat build-up can adversely affect industrial controls and sensitive electrical systems as follows:

- De-rated drive performance
- I/C-based devices experience intermittent fluctuations
- MTBF decreases exponentially
- Catastrophic failure

The costs when a factory line or electrical system fails can include:

- Productivity losses
- Component replacement costs
- Late shipments
- Customer dissatisfaction
- Lost revenue
- Cell phone tower outage
- Breach in homeland security

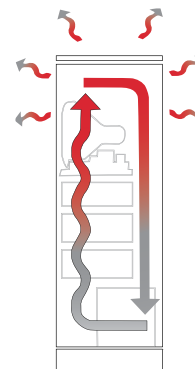
Direct costs to a business can be as much as \$50,000 per hour of system downtime.

CONDUCTIVE ENCLOSURE COOLING

This is a passive way to cool electrical equipment. It simply allows the heat to radiate through the cabinet walls.

Conductive enclosure cooling works well with electrical systems that have small heat loads (<50 W) and cool air around the enclosure (<78 F/25 C).

If heat is an issue, one option within this type of cooling is to increase cabinet size to create more surface area to speed the transfer of heat. However, growing cabinet size is often not a practical solution because of space limitations and the greater heat loads associated with today's high-power electronics.



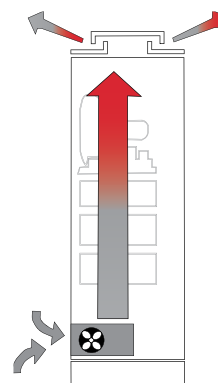
1

FRESH AIR ENCLOSURE COOLING

This is an active way to manage heat in electrical applications. This type of cooling ventilates fresh air through the cabinet, exhausting heat away from the hot components.

Fresh air enclosure cooling may be used when the electrical system is deployed in a relatively clean and cool environment such as an office building, data networking center or light-duty factory. Options for cooling electrical enclosures with fresh air include filter fans, fan trays, motorized impellers and packaged blowers.

Fresh air enclosure cooling is known as an “open-loop system” because no significant seal is maintained to protect electrical components from harmful elements such as dirt, water, metal filings and corrosive fumes.



SEALED ENCLOSURE COOLING

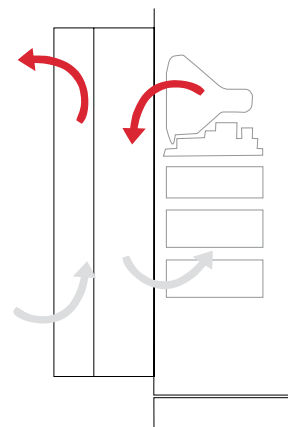
This is another active way to cool electrical components. This type of cooling maintains the seal of the enclosure—using an air conditioner or heat exchanger as examples—to remove heat from inside the electrical cabinet.

Protective cooling is generally required when the electrical application:

- (1) operates in high temperatures, typically over 95 F/35 C,
- (2) is deployed in a harsh environment such as an outdoor telecom base station, wastewater treatment plant, metal working operation, oil rig platform, paper mill, foundry and/or
- (3) generates a high heat load from its own components, usually more than 500 W.

Options for sealed enclosure cooling include air conditioners, air-to-air heat exchangers, air-to-water heat exchangers, thermoelectric coolers and vortex coolers.

Sealed enclosure cooling is known as a “closed-loop system” because the seal of the electrical cabinet is maintained, allowing no elements which can damage the electrical equipment inside the enclosure.



SEALED VS. FRESH AIR ENCLOSURE COOLING

Since heat dissipation is often not a solution, we will limit our choices to sealed vs. fresh air enclosure cooling.

Use the environmental and electrical system criteria in the table below to determine whether sealed or fresh air enclosure cooling is most appropriate for your application.

Protective vs. Fresh Air Cooling

Specifying protective cooling that keeps your electrical components sealed from the outside environment versus using fresh air cooling to remove damaging heat depends on the following profile of your system application (check one side or the other for each of the six choices):

	FRESH		PROTECTIVE	
Clean Air / Some Dust / Dripping Water	<input type="checkbox"/>	SYSTEM OPERATING ENVIRONMENT	<input type="checkbox"/>	Dirty / Wet / Metal Filings / Outdoors / Corrosive Fumes
Moderate to Low (typically under 35 C / 95 F)	<input type="checkbox"/>	TEMPERATURE OUTSIDE OF THE ENCLOSURE	<input type="checkbox"/>	Hot (typically over 35 C / 95 F)
Somewhat to Well-Above Ambient Temperature	<input type="checkbox"/>	TEMPERATURE RATING OF THE ELECTRICAL COMPONENTS	<input type="checkbox"/>	Below to Somewhat Above Ambient Temperature
Moderate to Low	<input type="checkbox"/>	HUMIDITY OUTSIDE OF THE ENCLOSURE	<input type="checkbox"/>	High Relative Humidity
Wide	<input type="checkbox"/>	TEMPERATURE RANGE FOR THE ELECTRICAL COMPONENTS	<input type="checkbox"/>	Narrow / Precise
Moderate to Low (typically under 3000 Watts)	<input type="checkbox"/>	SYSTEM POWER DRAW / HEAT LOAD	<input type="checkbox"/>	Moderate to High (typically over 3000 Watts)

If most of your assessments fell on the fresh air side, then a filter fan, fan tray, motorized impeller or blower is probably the correct cooling solution for your application. However, if most of your assessments were on the protective side, then an air conditioner or heat exchanger found in the is likely the right cooling solution for your electrical system.

INTRODUCTION

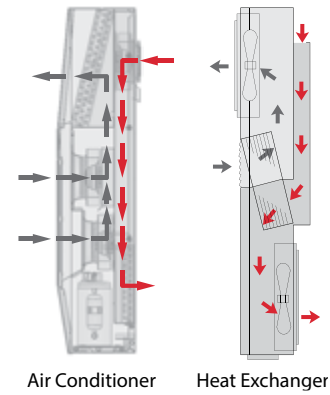
Assuming that sealed enclosure cooling is needed for the application, there are two basic choices—air conditioners or heat exchangers.

An air conditioner should be specified when:

- The temperature inside the enclosure must be maintained at or below the ambient temperature
- Humidity must be removed
- A moderate to high heat load is being produced by the electrical system

A heat exchanger can be used to transfer heat from inside the enclosure to the outside atmosphere when:

- The electrical components can operate at a temperature above the ambient air temperature
- Humidity is not a factor
- A low to moderate heat load is being produced by the electrical system



AIR CONDITIONER COOLING CAPACITY OVERVIEW

The cooling capacity of an air conditioner needs to match or exceed the amount of total heat load generated by the electrical system.

Total heat load comes from two sources:

- (a) the electrical components themselves which is called "internal heat load" and
- (b) the ambient heat outside the enclosure which is known as the "heat transfer load."

Most engineers and cooling suppliers determine internal heat load. However, the impact from the heat transfer load is easily overlooked. Heat transfer load can significantly add to the total heat load of the system, especially if the outside air temperature is high and/or the enclosure is located in the sun.

Thus, the **total heat load** to be removed from the electrical enclosure by the air conditioner is the sum of the **internal heat load** and the **heat transfer load**.

$$\text{TOTAL HEAT LOAD} = \text{INTERNAL HEAT LOAD} + \text{HEAT TRANSFER LOAD}$$

PART A: DETERMINE INTERNAL HEAT LOAD

The internal heat load comes from the amount of waste heat generated inside the enclosure by the electrical components and is expressed in Watts (W).

There are several methods to determine internal heat load, depending on data availability.

Method 1. Heat Load Data from Each Electrical Component Manufacturer

One way to estimate internal load is to gather heat load data from the manufacturers of the electrical components inside the cabinet. They may know the amount of heat their equipment is generating. If more than one control or other electrical components are inside the enclosure, it will be necessary to add together all the estimates of heat load to determine total internal heat load.

Method 2. Component Power – Component Efficiency

A second method is to establish the Watts of power used by each electrical component. Derive Watts of power by multiplying the amp draw of each device by its voltage. Then subtract the efficiency of each component from its estimated power use. Add up the outcomes to get the total internal heat load.

$$\text{INTERNAL HEAT LOAD} = \text{COMPONENT POWER (W)} - \text{COMPONENT EFFICIENCY (for each electrical device)}$$

For example:

An electrical system uses two components that draw 115 VAC at 15 amps. Each has a rated efficiency of 90%. Put another way, 10% of each device is inefficient. Unused power becomes generated heat. Thus the estimated internal heat load is:

$$\text{Device Power} = 115 \times 15 = 1725 \text{ W}$$

$$\text{Total Power} = 2 \times 1725 = 3450$$

$$\text{Less Efficiency} = 3450 \times (1 - .90)$$

$$\text{Total Heat Load} = 345 \text{ W}$$

Method 3. Incoming – Outgoing Power

A third approach is to estimate the power going into the enclosure and the power coming out of it. The difference becomes the estimated amount of internal heat load. The amps and volts of each electrical line going in are multiplied to determine Watts, then they're added together. The same is done for the electrical line(s) coming out of the application. The outgoing Watts are then subtracted from the incoming Watts.

$$\text{INTERNAL HEAT LOAD} = \text{INCOMING POWER (W)} - \text{OUTGOING POWER (W)}$$

For example:

An enclosure has three input lines of 230 VAC at 11, 6 and 4 A. It has one output control line of 115 VAC at 9 A.

$$\text{Incoming Power} = (230 \times 11) + (230 \times 6) + (230 \times 4) = 4830 \text{ W}$$

$$\text{Outgoing Power} = 115 \times 9 = 1035 \text{ W}$$

$$\text{Total Heat Load} = 4830 - 1035 = 3795 \text{ W}$$

Method 4. Automated Equipment Horsepower

This fourth method applies only to industrial automation equipment that operates with horsepower (hp) such as variable frequency drives (VFDs). 1 hp = 745.6 W. Thus, the internal heat load from a 3-hp VFD is 2237 W, less its efficiency which is typically 93-95%.

For example:

A cabinet has three 5-hp VFDs with 95% efficiency.

$$\text{VFD Watts} = 5 \text{ hp} \times 745.6 \times 3 = 11184$$

$$\text{Adjusted Watts} = 11184 \times (1 - .95) = 559$$

$$\text{Total Heat Load} = 559 \times 1.25 = 699 \text{ W}$$

1.25 is an assumed "safety" margin for other minor heat-producing components.



PART B: DETERMINING HEAT TRANSFER LOAD OVERVIEW

Heat transfer load is the ambient heat outside the enclosure conducting itself through the cabinet walls toward the electrical (heat energy travels from the hottest to coldest location).

When an air conditioner cools the enclosure temperature lower than the ambient air outside, additional heat load is drawn into the cabinet which the air conditioner needs to remove. The higher the ambient temperature and/or the presence of solar heat gain (the “greenhouse effect”) on the enclosure, the more cooling capacity is required.

Determining heat transfer load requires that you know the **total surface area** of the cabinet, less any non-conductive surface area such as the enclosure side mounted to a wall. It also requires that you determine ΔT , which is the difference between maximum ambient temperature and the maximum temperature rating of the electrical components.

There are two methods for determining heat transfer load—the simple chart method and the equation method.

SIMPLE CHART METHOD

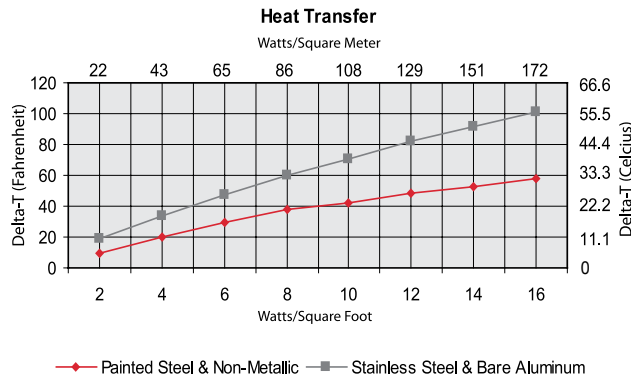
This method is reasonably accurate for most indoor industrial systems where there is no unusual air movement and insulation is not typically used inside the enclosure. The process also provides a ballpark result for outside plant and telecommunications applications, taking into account solar heat gain. However, it does not incorporate the impact of wind or cabinet insulation. If either is present, then the equation method is more precise.

- Step A. Determine ΔT in °F or °C.
- Step B. Find the heat transfer per ft.² or m² on the chart below, using ΔT and the proper cabinet material curve.
- Step C. Multiply the heat transfer per ft.² or m² by the total surface area of the enclosure that will conduct heat. (Remember to exclude surfaces such as a side mounted to a wall.)

$$\text{SURFACE AREA (ft.}^2\text{)} = [2AB \text{ (in.)} + 2BC \text{ (in.)} + 2AC \text{ (in.)}] \div 144$$

$$\text{SURFACE AREA (m}^2\text{)} = [2AB \text{ (mm)} + 2BC \text{ (mm)} + 2AC \text{ (mm)}] \div 1000000$$

$$\text{Total Heat Transfer Load} = \text{Heat Transfer per ft.}^2 \text{ or m}^2 \times \text{Cabinet Surface Area}$$



For example:

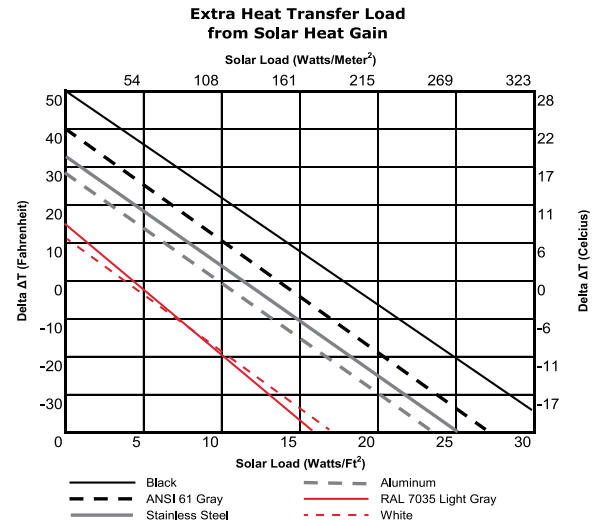
A painted steel cabinet has 80 ft.² of surface area and will be located in a maximum ambient temperature of 95 F. The rated temperature of the electrical equipment is 75 F.

$$\Delta T = 95 - 75 = 20 \text{ F}$$

$$\text{Heat Transfer} = 4 \text{ W/ft.}^2 \text{ (from chart)}$$

$$\text{Total Heat Transfer Load} = 80 \times 4 = 320 \text{ W}$$

The estimate for heat transfer load ends here, unless the electrical system will be deployed outdoors. Then solar heat gain needs to be added to the total heat transfer load calculated above. Solar heat gain is determined much the same way as heat transfer per ft.² or m², using a similar chart.



For example: The painted cabinet above is in ANSI 61 gray. Thus, 7 W/ft.² need to be added to the heat transfer load which is 560 W (7 x 80 ft.²). Total Heat Transfer Load consequently becomes 720 W.

The result does not include insulation which can significantly reduce heat transfer load.

EQUATION METHOD

Heat transfer load may also be determined by equation. This method should be used when at least one of the following criteria are found in the electrical system:

- Moderate to high airflow within the cabinet
- Outdoor applications that involve breezes or gusty winds
- Insulation used within the cabinet to offset the impact of solar heat gain

The governing equations for heat transfer load are:

English System (°F, inches and feet):

$$q = (T_o - T_i) \div [(1/h_o) + (1/h_i) + R]$$

Metric System (°C, millimeters and meters):

$$(q = (T_o - T_i) \div [(1/h_o) + (1/h_i) + R] \times 5.67$$

Definition of Variables—

q = Heat transfer load per unit of surface area

T_o = Maximum ambient temperature outside the enclosure

T_i = Maximum rated temperature of the electrical components

h_o = Convective heat transfer coefficient outside the cabinet

Still air: h = 1.6

Relatively calm day: h = 2.5

Windy day (approx. 15 mph): h = 6.0

h_i = Convective heat transfer coefficient inside the cabinet

Still air: h = 1.6

Moderate air movement: h = 2.0

Blower (approx. 8 ft.³/sec.): h = 3.0

R = Value of insulation lining the interior of the enclosure walls

No insulation: R = 0.0

1/2 in. or 12 mm: R = 2.0

1 in. or 25 mm: R = 4.0

1-1/2 in. or 38 mm: R = 6.0

2 in. or 51 mm: R = 8.0

$$q = (125 - 75) \div [(1/6) + (1/2) + 4]$$

$$q = (50) \div (.16 + .5 + 4)$$

$$q = 50 \div 4.66$$

$$q = 10.7 \text{ BTU/hr./ft.}^2$$

Total Heat Transfer Load

$$10.7 \times 72 = 770 \text{ BTU/hr. or } 770 \div 3.413 = 226 \text{ W}$$

Since the cabinet is outdoors, and assuming it is painted ANSI 61 gray and located in the sun, extra solar load needs to be added to the outcome above which is 504 Watts (7 W per ft.² x 72 ft.²).

Total Heat Transfer Load with Extra from Solar Heat Gain

$$226 + 504 = 730 \text{ W}$$

DETERMINE TOTAL HEAT LOAD

Total heat load to be removed from the electrical enclosure by the air conditioner is the sum of **internal heat load** plus **heat transfer load**.

$$\text{TOTAL HEAT LOAD (C)} = \text{INTERNAL HEAT LOAD (A)} + \text{HEAT TRANSFER LOAD (B)}$$

Thus, one adds together the result from Part A to the outcome from Part B.

For example:

The internal heat load from one of the examples above was 3795 Watts. The heat transfer load from the other example above was 730 W. Therefore, total heat load is 3795 + 730 = 4525 W.

To convert Watts into BTU/hr. to determine air conditioner capacity in the English system, multiply by 3.413. 4525 W is then 15444 BTU/hr.

Power input, protection level and dimensions of the air conditioner also need to fit system requirements.

Caution! Do not simply match the nominal cooling capacity of the air conditioner model with the total heat load result above. Be sure to know the maximum ambient temperature outside the enclosure as well as the rated temperature of the electrical components. Apply these temperatures to the performance curves provided by the cooling manufacturer to select an appropriately sized air conditioner. Failure to do so may under-size your air conditioner as much as 20% - 25%, thereby under-cooling the electrical components and making the application vulnerable to potential over-heating issues.



HEAT EXCHANGER COOLING CAPACITY OVERVIEW

Cooling with an air-to-air heat exchanger assumes the electrical components in your system are able to operate **above** the ambient temperature outside the enclosure. If this is not the case, then an air conditioner must be used.

Selecting a heat exchanger is similar to specifying an air conditioner in that the cooling capacity of the unit must remove the **internal heat load** from the electrical enclosure.

However, since the conductive cooling nature of the cabinet itself removes some of the heat from the system, **heat transfer** should be subtracted from internal heat load (versus added in the case of air conditioners).

Because the cooling capacity of heat exchangers is expressed in terms of Watts/°F or Watts/°C, an extra step is necessary to convert net heat load into a result used to select the appropriate heat exchanger. Divide the net heat load by the **ΔT** which is the difference between the maximum ambient temperature outside the enclosure and the maximum temperature rating of the electrical components.

$$\text{HEAT EXCHANGER CAPACITY (C)} = [\text{INTERNAL HEAT LOAD (A)} - \text{HEAT TRANSFER (B)}] / \Delta T$$

DETERMINE INTERNAL HEAT LOAD

Internal heat load stems from the amount of waste heat generated inside the enclosure by the electrical components and is expressed in Watts.

To determine internal heat load, follow one of the four options outlined in the air conditioner “Determine Internal Heat Load” section on page 16.

DETERMINE HEAT TRANSFER

In air-to-air heat exchangers, heat transfer is actually cabinet heat loss because the heat inside the enclosure is conducting itself through the cabinet walls toward the cooler temperature outside the enclosure. That is why heat transfer is subtracted from internal heat load to arrive at total net heat load.

To determine heat transfer you need to know the **total surface area** of the cabinet, less any non-conductive surface area such as the enclosure side mounted to a wall. You must also determine **ΔT** which is the difference between maximum ambient temperature and the maximum temperature rating of the electrical components.

There are two methods to determine heat transfer—the **simple chart method** and the **equation method**. The simple chart method may be used for nearly all indoor heat exchanger applications. The equation method needs to be applied when air movement outside or inside the electrical enclosure is high, or for outdoor applications.

Here are the steps for the simple chart method:

Step A. Determine ΔT in °F or °C.

Step B. Find the heat transfer per ft.² or m² from the Heat Transfer graph on page 17, using ΔT and the proper cabinet material curve.

Step C. Multiply the heat transfer per ft.² or m² by the total surface area of the enclosure that will conduct heat. (Remember to exclude surfaces such as a side mounted to a wall.)

$$\text{SURFACE AREA (ft.}^2\text{)} = [2AB \text{ (in.)} + 2BC \text{ (in.)} + 2AC \text{ (in.)}] \div 144$$

$$\text{SURFACE AREA (m}^2\text{)} = [2AB \text{ (mm)} + 2BC \text{ (mm)} + 2AC \text{ (mm)}] \div 1,000,000$$

$$\text{Heat Transfer (Cabinet Heat Loss)} = \text{Heat Transfer per ft.}^2 \text{ or m}^2 \times \text{Enclosure Surface Area}$$

The estimate for heat transfer ends here, unless the electrical system will be deployed outdoors, or airflow inside or outside the enclosure is high. Then the equation method needs to be used to determine heat transfer (cabinet heat loss).

For the equation method, follow the steps on page 17 in the air conditioner selection section. The result will be a negative number; the negative sign should be ignored when deducting heat transfer from internal heat load.

Caution! If the result of the equation method is a positive number, then this means that you want the electrical temperature inside the cabinet to be lower than the temperature outside the enclosure. In this case, an air conditioner should be specified for the electrical system.

DETERMINE HEAT EXCHANGER CAPACITY

Air-to-air heat exchanger capacities are not provided in terms of Watts or BTUs/hr. of cooling like air conditioners. Instead, they are expressed in terms of Watts/°F or Watts/°C. Thus, the final step in determining heat exchanger capacity is to divide the total net heat load by ΔT . Then select the heat exchanger with the same or higher Watts/°F or Watts/°C as the outcome of this process.

–Indoor Industrial Example–

An electrical system uses two components that draw 230 VAC at 7.5 A. Each has a rated efficiency of 90%. They are protected in a painted steel cabinet that is 60 in. (1524 mm) tall, 36 in. (914 mm) wide and 18 in. (457 mm) deep. The system will be located in a maximum ambient temperature of 80 F (27 C). The rated temperature of the electrical is 95 F (35 C).

$$\text{HEAT EXCHANGER CAPACITY (C)} = \frac{[\text{INTERNAL HEAT LOAD (A)} - \text{HEAT TRANSFER (B)}] \div \Delta T$$

Internal heat load (A) may be determined using the “Component Power – Component Efficiency” method on page 16, given the available information. In this example, the estimated heat load is:

$$\begin{aligned} \text{Device Power} &= 230 \times 7.5 = 1725 \text{ W} \\ \text{Total Power} &= 2 \times 1725 = 3450 \\ \text{Less Efficiency} &= 3450 \times (1 - .90) \\ \text{Internal Heat Load} &= 345 \text{ W} \end{aligned}$$

Heat transfer (B) is derived using the simple chart method, since this is an indoor industrial application. Both cabinet surface area and ΔT are needed to determine heat transfer. Cabinet surface area is 54 ft.² or 5.02 m² (from surface area formula on page 17). ΔT is 15 F (8 C)—the difference between ambient temperature and the rated temperature of the electrical equipment.

$$\begin{aligned} \text{Heat Transfer (Cabinet Heat Loss)} &= \\ \text{Heat Transfer per ft.}^2 \text{ or m}^2 \times \text{Enclosure Surface Area} \end{aligned}$$

Using the painted steel curve on the Heat Transfer chart on page 17, heat transfer per ft.² or m² is 3 W/ft.² or 32.5 W/m².
Heat Transfer = 3 W/ft.² x 54 ft.² = 162 W

Now that we know internal heat load, heat transfer and ΔT , we can determine heat exchanger capacity as follows:

$$\text{HEAT EXCHANGER CAPACITY (C)} = \frac{[345 \text{ WATTS (A)} - 162 \text{ WATTS (B)}] \div 15 \text{ F (or 8 C)}$$

$$\text{HEAT EXCHANGER CAPACITY (C)} = 12 \text{ W/}^\circ\text{F or } 22 \text{ W/}^\circ\text{C}$$

The result is **minimum** heat exchanger capacity. If no heat exchanger model is similar to the result, choose the next largest size to ensure adequate electrical cooling.

Power input, protection level and dimensions of the heat exchanger also need to fit the system.

–Outdoor Example–

A telecom system draws a total of 5,000 W; its efficiency is 85%. It is protected in a steel cabinet that is 72 ft.² (6.69 m²) and painted with RAL 7035 light-gray paint. The enclosure walls are lined inside with 1 in. (25 mm) of insulation. The application will be deployed in a maximum ambient outdoor temperature of 104 F (40 C) with occasional winds reaching 15+ mph. The rated temperature of the electrical equipment is 114 F (46 C). Air circulation inside the cabinet is moderate.

$$\text{HEAT EXCHANGER CAPACITY (C)} = \frac{[\text{INTERNAL HEAT LOAD (A)} - \text{HEAT TRANSFER (B)}] \div \Delta T$$

Internal heat load (A) is determined using the “Component Power – Component Efficiency” method on page 16. In this example, the estimated heat load is as follows:

$$\begin{aligned} \text{Total System Power} &= 5000 \text{ W} \\ \text{Less Efficiency} &= 5000 \times (1 - .85) \\ \text{Internal Heat Load} &= 750 \text{ W} \end{aligned}$$

Heat transfer (B) is derived using the equation method, since this is an outdoor application. For brevity, we will assume the English system (°F, inches and feet).

$$q = (T_o - T_i) \div [(1/h_o) + (1/h_i) + R]$$

“q” is heat transfer per surface area. For an explanation of the other variables, see “Equation Method” on page 18.

$$q = (104 - 114) \div [(1/6) + (1/2) + 4]$$

$$q = -2.14 \text{ W/ft.}^2$$

$$\begin{aligned} \text{Total Heat Transfer} &= 2.14 \times 72 \text{ ft.}^2 = 154 \text{ W} \\ \text{(negative sign is ignored)} \end{aligned}$$

ΔT is 10 F — the difference between ambient temperature and the rated temperature of the electrical equipment.

$$\text{HEAT EXCHANGER CAPACITY (C)} = \frac{[750 \text{ W (A)} - 154 \text{ W (B)}] \div 10 \text{ F}$$

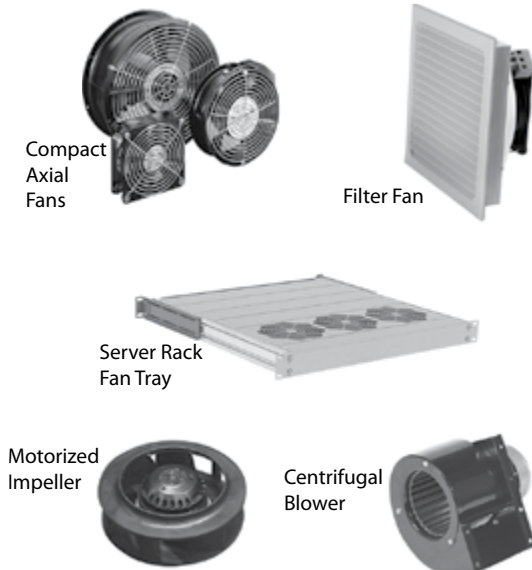
$$\text{HEAT EXCHANGER CAPACITY (C)} = 60 \text{ W/}^\circ\text{F}$$

As in the indoor industrial example, the above result is **minimum** heat exchanger capacity. If no heat exchanger model is similar to the result, choose the next largest size to ensure adequate electrical cooling.

Power input, protection level and dimensions of the heat exchanger also need to fit the system.

INTRODUCTION

There are many standard air movers for electrical cooling on the market today. Common options include:



As one may conclude by looking at the products, each fresh air cooling solution can vary in terms of:

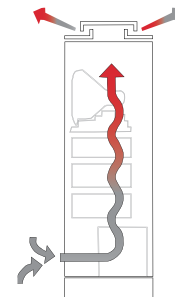
- General vs. concentrated airflow
- Amount of air volume (CFM or M³/Hr.)
- Ability to overcome airflow restriction caused by electrical components (static pressure—Inches of H₂O or Pascals)
- Component price
- Power input (AC or DC volt)
- Ability to protect the electrical equipment from dust and water

However, before we begin to briefly review the advantages and disadvantages of each air mover, we first need to understand two important concepts, airflow and static pressure, because each fresh air cooling solution can be quite different with these factors.



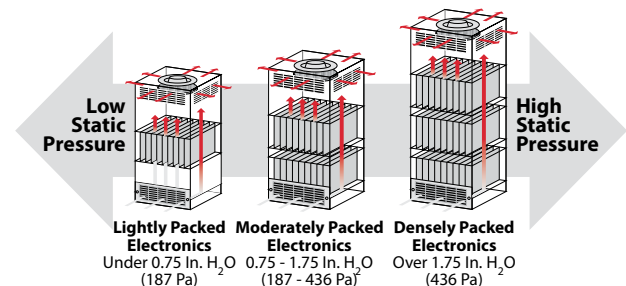
WHAT IS AIRFLOW?

Airflow is the volume of air that a fan, impeller or blower can move. In the English system, airflow is measured in cubic feet per minute or CFM. In the Metric system, airflow is defined as cubic meters per hour or M³/Hr. Electrical systems with low heat loads (100 to 1000 Watts) require less airflow to cool the components. Cabinets with moderate to high heat loads (more than 1000 Watts) need more airflow.



WHAT IS STATIC PRESSURE?

Static pressure is air restriction created by the components inside the enclosure. In the English system, static pressure is expressed in Inches of Water or In. H₂O. In the Metric system, static pressure is Pascals or Pa. Systems with loosely packed components have low static pressure (0.24 to 0.50 In. H₂O) and use a smaller, less powerful air mover such as a tube axial fan or filter fan for cooling. However, cabinets that are moderately to densely packed with electrical equipment (0.75 In. H₂O or more) require a larger, more powerful air mover or multiple air movers.



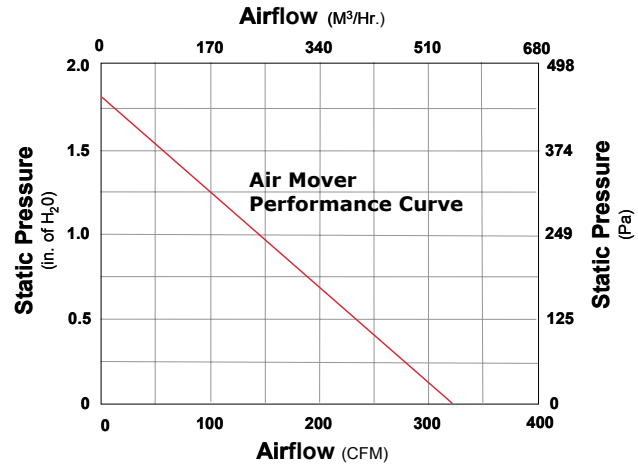
HOW IS PERFORMANCE CHARACTERIZED?

Each air mover is commonly rated based on its airflow and static pressure capability known as a “performance curve.”

In a 0 static pressure electrical system, the air mover provides 325 CFM of airflow. Conversely, at 1.6 in. of H₂O static pressure (a moderately packed cabinet), the air mover provides 0 airflow.

Air mover manufacturers determine the performance curve for each of their products by placing the unit in a test chamber to determine its precise airflow and static pressure.

Air Mover Performance Curve Example



WHAT ARE THE CAPABILITIES OF EACH AIR MOVER?

Each air mover such as a tube axial fan, filter fan, fan tray, motorized impeller and centrifugal blower performs in a different way. A summary of the characteristics and applications for each of these popular fresh air cooling products is outlined in the table below.

Axial fans, filter fans and fan trays generally provide low to moderate airflow in electrical systems with low static pressure. Most are used with VAC applications. Filter fans provide an extra level of enclosure protection against dust infiltration (Type 12 or IP54) and water infiltration (Type 3R or IP55). With the exception of fan trays, tube axial fans and filter fans are relatively inexpensive.

Motorized impellers offer moderate to high airflow and work well in electrical cabinets with moderate to high static pressure. They often provide general cooling throughout an enclosure. Motorized impellers are available in VAC and VDC inputs and are reasonably priced

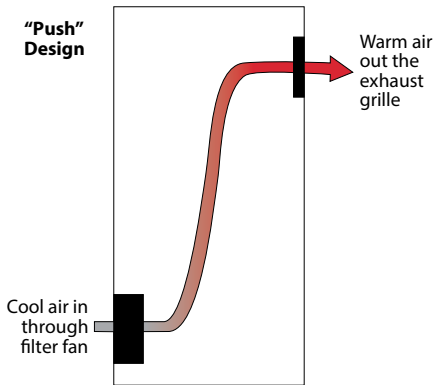
Centrifugal blowers deliver moderate to high airflow and overcome the system impedance that builds up in electrical cabinets with moderate to high static pressure. They're primarily available for VAC power input and are relatively higher priced.

Characteristics of Popular Air Movers

Characteristics	Axial Fans	Filter Fans	Fan Trays	Motorized Impellers	Centrifugal Blowers
Airflow	Low	Low - Moderate	Low - Moderate	Moderate - High	Moderate - High
Static Pressure	Low	Low	Low	Moderate - High	Moderate - High
Voltage Input	AC (some DC)	AC and DC	AC (some DC)	AC and DC	AC
Protection	None	Type 12 & 3R	None	None	None
Per Piece Price	Low	Moderate	High	Moderate	High
Typical Application	Spot electrical cooling	Industrial electrical cabinet cooling	Datacom card and server rack cooling	General cooling of moderate to high static pressure cabinets	Concentrated or general cooling of high static pressure systems

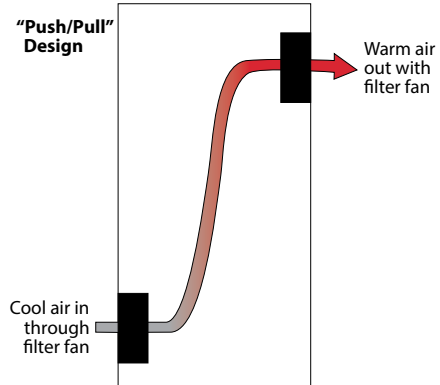
AIRFLOW DESIGN OPTIONS

A typical air mover system design “pushes” cool air into the bottom of the electrical cabinet and exhausts the warm air out the top

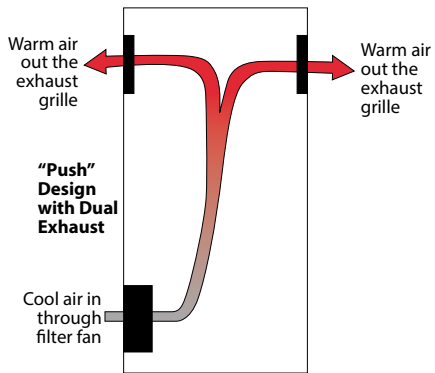


The “pull” approach is less desirable because it de-pressurizes the enclosure. If poor seals are in the cabinet at a door or modular panel, for example, damaging dust could be sucked inside and onto the electrical components. However, space constraints at the bottom of the enclosure may force the engineer to design a “pull” system.

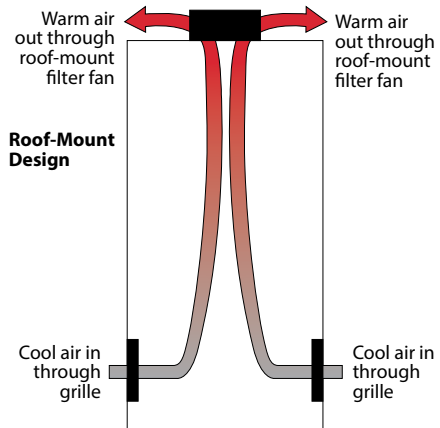
For electrical systems with higher static pressure, filter fans are sometimes used in a “push/pull” approach. The reason is that two filter fans designed in “series” overcome twice the static pressure compared to one filter fan working alone with an exhaust grille.



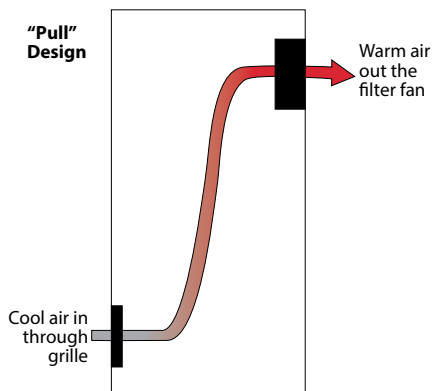
To reduce exhaust grille static pressure and improve cool airflow, some engineers use two exhaust grilles in their airflow design.



Roof-mount air movers are also available. Engineers occasionally employ them due to space constraints lower in the enclosure or for other reasons. Two exhaust grilles are recommended to ensure adequate airflow through the enclosure.



Another option is to use a reverse airflow fan and mount it high in the enclosure to “pull” cool air through the enclosure.



Roof-mount air mover designs also pose the risk of pulling dust into the enclosure through poor seals.



CHOOSING AN AIR MOVER

Three overall considerations are applied when selecting a filter fan: voltage input, enclosure protection and airflow requirement.

POWER INPUT

Narrowing the choice of filter fans based on voltage input is quite simple. If the voltage available in the electrical system to power the filter fan is AC, then an VAC filter fan is chosen. If the voltage for the application is DC, then a VDC filter fan is specified.

The voltage level of the filter fan's power input also needs to be taken into consideration. For example, if the voltage input is 115 VAC, then a 115 VAC filter fan should be specified. If the voltage input is 24 VDC, then a 24 VDC impeller is required. Filter fans are commonly available in 115, 230 and 460 3-phase 50/60 Hz VAC as well as 24 VDC. Some manufacturers such as Pentair offer 48 VDC due to the trend toward using this power input in some electrical systems.

ENCLOSURE PROTECTION

Another important consideration is selecting an air mover that maintains the protection level of the electrical enclosure.

U.S. standards of protection generally include:

Type 1 – For indoor use to protect against contact with the enclosed equipment

Type 12 - For indoor use to protect against dust, falling dirt and dripping non-corrosive liquid such as water

Type 3R – For outdoor use to protect against rain and sleet

Type 4 – For outdoor or indoor use to protect against windblown dust and rain, splashing water and hose-directed water

Type 4X – For outdoor or indoor use to protect against corrosion, windblown dust and rain, splashing water and hose-directed water

European standards of protection include:

IP54 – Dust must not enter in sufficient quantity to interfere with the satisfactory operation of the equipment; complete protection against contact; water splashing against the enclosure from any direction shall have no harmful effect.

IP55 – Dust must not enter in sufficient quantity to interfere with the satisfactory operation of the equipment; complete protection against contact; and water projected by a nozzle against enclosure from any direction shall have no harmful effects.

IP65 – No ingress of dust; complete protection against contact; and water projected by a nozzle against enclosure from any direction shall have no harmful effects.

AIRFLOW

Choosing a filter fan with the right airflow or cooling capacity is as important as voltage input and enclosure protection. However, the process is a little more involved.

Generally, smaller heat loads in the electrical system will require a filter fan with a lower airflow rate (CFM or M³/Hr.). Moderate to high heat loads will need a larger, more powerful filter fan or multiple filter fans to move enough air to cool the electrical components.

The following 5-step process results in a filter fan specification that should generally work in your electrical system.

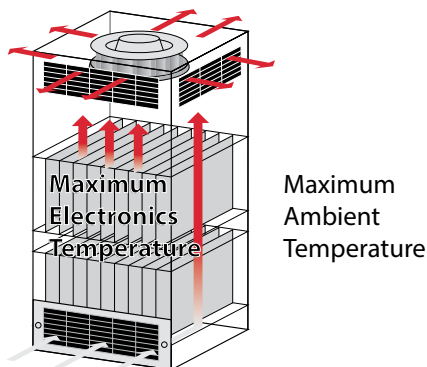
1. Determine Delta-T
2. Determine Internal Heat Load
3. Determine Free Airflow
4. Estimate System Impedance
5. Select Your Filter Fan

These five steps yield a ballpark result. A filter fan sample should always be tested in the actual electrical system itself to confirm that its performance provides adequate airflow.

The next section outlines the 5-step filter fan selection process in more detail.

STEP 1. DETERMINE DELTA-T (ΔT)

Delta-T is the difference between **maximum desired temperature for the electrical equipment** and **maximum temperature outside the enclosure**. It is important to determine ΔT because cooler air will usually require less filter fan airflow whereas warmer air will typically require more airflow.



Maximum desired temperature for the electrical equipment is identified by reviewing the component manufacturer’s specifications. They will often indicate that the equipment should not operate above a certain temperature such as 35 C (95 F).

Maximum temperature **outside the enclosure** is determined by forecasting the highest potential temperature of the air around the electrical cabinet. If the application is in an indoor environment such as an air conditioned factory, the maximum temperature outside the enclosure is the temperature of the facility, such as 25 C (77 F). If the electrical system is outdoors, the maximum temperature around the cabinet is the hottest weather that the application experiences, which may be 45 C (116 F) if it’s deployed on a roof top for example.

$$\Delta T = \text{maximum temperature desired for the electrical equipment} - \text{maximum expected ambient temperature}$$

For example:

$$\begin{aligned} \Delta T &= 35 \text{ C (95 F) [maximum electrical equipment temperature]} - \\ &25 \text{ C [maximum ambient temperature]} \\ \Delta T &= 10 \text{ C (18 F)} \end{aligned}$$

STEP 2. DETERMINE INTERNAL HEAT LOAD

Heat load stems from the amount of waste heat generated inside the enclosure by the electrical components and is expressed in Watts. There are several methods to determine internal heat load, depending on data availability.

A. Heat Load Data from Each Electrical Component Manufacturer

One way to estimate internal load is to gather heat load data from the manufacturers of the electrical components inside the cabinet. If more than one control or other components are inside the enclosure, it will be necessary to add together the multiple estimates of heat load to determine total internal heat load.

B. Component Power – Component Efficiency

A second method is to establish the Watts of power used by each electrical component. Derive Watts by multiplying the amp draw of each device with its voltage. Then subtract the efficiency of each component from its estimated power use, adding up the outcomes for total internal heat load.

$$\text{INTERNAL HEAT LOAD} = \text{COMPONENT POWER (Watts)} - \text{COMPONENT EFFICIENCY (for each electrical device)}$$

For example:

An electrical system uses two components that draw 115 VAC at 9.5 amps. Each has a rated efficiency of 90 percent (10 percent of each device is inefficient). Unused amounts of power become generated heat. Thus, the estimated internal heat load is:

$$\begin{aligned} \text{Device Power} &= 115 \times 9.5 = 1100 \text{ Watts} \\ \text{Total Power} &= 2 \times 1100 = 2200 \\ \text{Less Efficiency} &= 2200 \times (1 - .90) \\ \text{Total Heat Load} &= 220 \text{ Watts} \end{aligned}$$

C. Incoming – Outgoing Power

A third approach is to estimate the power going into the enclosure and the power coming out of it. The difference is the estimated amount of internal heat load. Multiply the amps and volts of each electrical line going in to determine Watts and then add them together. Do the same for the electrical line(s) coming out of the application. The outgoing watts are subsequently subtracted from the incoming watts.

$$\text{INTERNAL HEAT LOAD} = \text{INCOMING POWER (Watts)} - \text{OUTGOING POWER (Watts)}$$

For example:

An enclosure has three input lines of 230 VAC at 11, 6 and 4 amps. It has one output control line of 115 VAC at 9 amps.

$$\begin{aligned} \text{Incoming Power} &= (230 \times 11) + (230 \times 6) + (230 \times 4) = 4830 \text{ Watts} \\ \text{Outgoing Power} &= (115 \times 9) = 1035 \text{ Watts} \\ \text{Total Heat Load} &= 4830 - 1035 = 3795 \text{ Watts} \end{aligned}$$

D. Automated Equipment Horsepower

The fourth method applies only to industrial automation equipment that operates with horsepower such as variable frequency drives (VFDs). 1 horsepower = 745.6 Watts. Thus, the internal heat load from a 3 horsepower VFD is 2237 Watts, less its efficiency which is typically 93 – 95 percent.

For example:

A cabinet has three 5 Hp VFDs with 95% efficiency.

$$\begin{aligned} \text{VFD Watts} &= 5 \text{ Hp} \times 745.6 \times 3 = 11184 \\ \text{Adjusted Watts} &= 11184 \times (1 - .95) = 559 \\ \text{Total Heat Load} &= 559 \times 1.25 = 699 \text{ Watts} \end{aligned}$$

Note: 1.25 is an assumed “safety” margin for other minor heat-producing components.

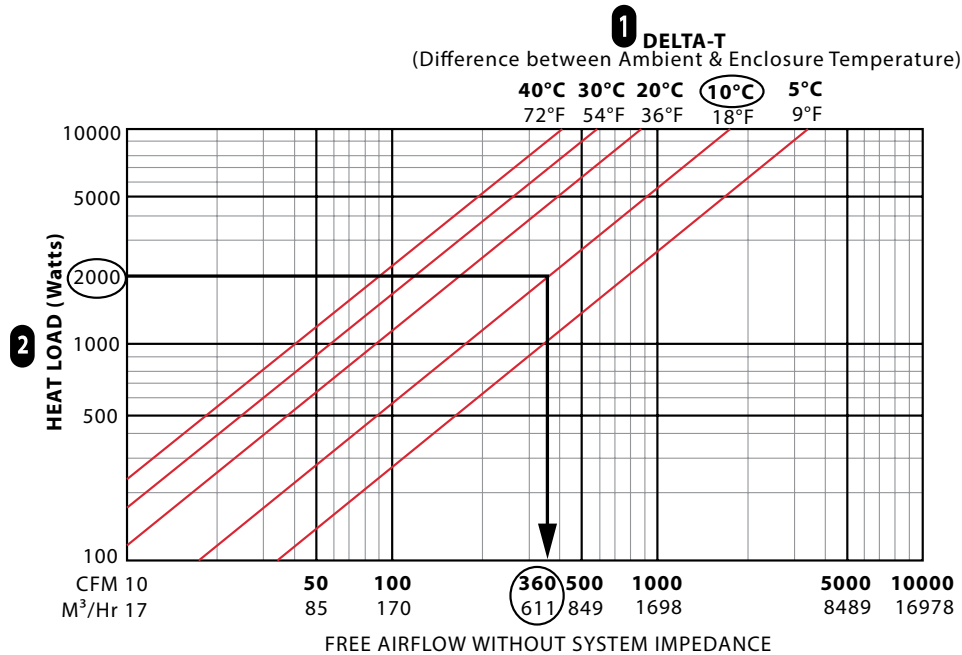
STEP 3. DETERMINE FREE AIRFLOW

Determining free airflow applies the results from steps 1 and 2 to the chart below. Recall that free airflow is the unimpeded airflow through the enclosure without any interference from electrical components or filter fan exhaust grilles.

Select the diagonal ΔT line that closely matches the ΔT of your electrical system. Using the example from step 1, ΔT is 10 C (18 F).

Then find your cabinet's heat load along the Y-axis of the chart. In the example from step 2, heat load is 2000 Watts.

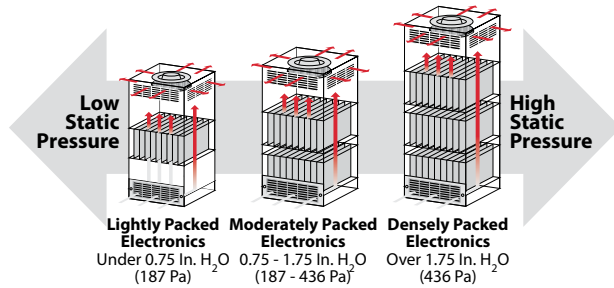
Find where heat load intersects with ΔT to determine free airflow on the X-axis. Continuing the example, free airflow in this case is 360 CFM or 611 M³/Hr.



Now we need to account for system impedance, i.e., the amount of airflow interference created by the electrical components inside the cabinet. A filter fan with **more than** 360 CFM or 611 M³/Hr. of free airflow will actually be needed for this system's design.

STEP 4. ESTIMATE SYSTEM IMPEDANCE

Static pressure or system impedance can impact the cooling performance of an air mover. Filter fans work well in electrical cabinets with low static pressure such as a large enclosure with a bare drive and few other components. They do not have enough force to push air through a cabinet with a moderate or high system impedance.



If your system design appears like the middle or right hand example, then a motorized impeller or blower is probably a better solution for the application than a filter fan.

Assuming a filter fan can cool your application, the exhaust grille and electrical components inside the enclosure will reduce airflow through the system. Filter fan manufacturers will show the effect of the exhaust grille on the performance curve. However, they do not indicate the impedance curve of the electrical system because filter fan makers do not know this information. Only the specifying electrical engineer or system designer can determine this. If it is not possible to measure the exact static pressure inside an electrical cabinet, you must make an estimate and draw an approximation.

STEP 5. SELECT YOUR AIR MOVER

In this final step, we bring together the results of free airflow (step 3) and system impedance (step 4), using the air mover performance charts. Applying the example, we need to select a motorized impeller that delivers a minimum of 360 CFM (611 M³/Hr.).

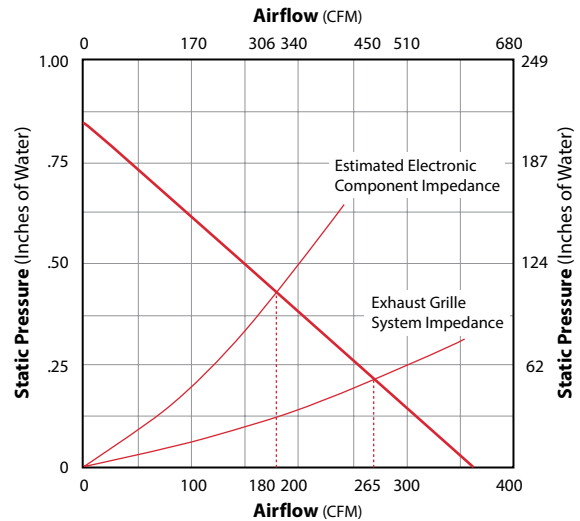
Identify alternative air mover models with free airflow ratings that are greater than the step 3 outcome of 360 CFM (611 M³/Hr.) to compensate for airflow losses created by static pressure in the system. A judgmental system impedance curve is overlaid onto the performance charts of each of the optional models, and then the model with the CFM or M³/Hr. closest to the target airflow is selected.

In the performance curve shown here, 571 CFM is commonly the largest filter fan in the electrical cooling industry. Based on the estimated electrical component impedance overlaid by our imaginary engineer, it should deliver the cooling performance required by the system.

FRIENDLY REMINDER

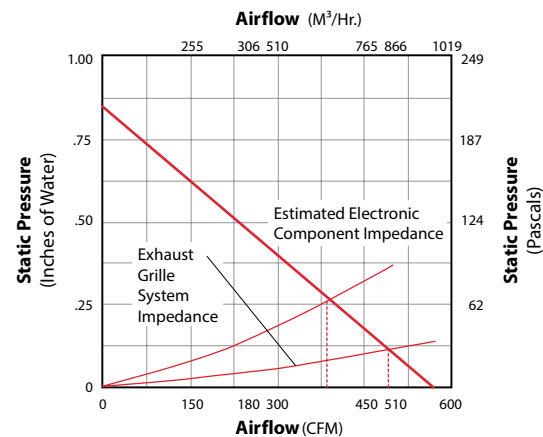
This 5-step process for selecting an air mover yields a ballpark result. Be sure to test a sample of the air mover in the electrical system prototype at maximum ambient and heat load conditions to verify adequate cool airflow.

Impact of System Impedance on Free Airflow of a 376 CFM (638 M³/Hr.) Filter Fan



In the example shown, the free airflow of a 376 CFM (638 M³/Hr.) air mover decreases to 265 CFM with the exhaust grille kit and down to 180 CFM when used in an actual application. Thus, a model with a performance curve similar to the one in the next graph would be too small to keep our electrical system cool because our actual target airflow is 360 CFM.

Performance Curve of a 571 CFM (969 M³/Hr.) Filter Fan with Exhaust Grille and System Impedance





CHAPTER 2

TECHNICAL INFORMATION

STANDARDS SUMMARY

To standardize enclosure performance, organizations like NEMA, UL, CSA, IEC and VDE use rating systems to identify an enclosure's ability to resist external environmental influences.



UL

The UL Listing Mark means that the product has met UL's safety requirements and is suitable for factory and field installation.



CE

With the CE marking, the manufacturer declares that the product conforms with the essential requirements of the applicable EU directives.



CHAPTER CONTENTS

UL, CE, EAC CERTIFICATION BENEFITS

Standards Organization Summary and Directory Overview	30
CE	30
EAC	30

UL AND IP DEFINITIONS

Protection Levels	31
SCCR Requirements per UL (Condensed version)	32

REMOTE ACCESS CONTROL (RAC)

Remote Access Control (RAC)	33
---------------------------------------	----



EAC

EAC

The EAC Standard, approved by ISO as a local standard in Russian Federation and CIS countries, covers general and technical specifications as well as safety requirements.

STANDARDS ORGANIZATION SUMMARY AND DIRECTORY OVERVIEW

What's in a Rating?



As a way of standardizing enclosure performance, organizations like NEMA, UL, CSA, IEC and VDE use rating systems to identify an enclosure's ability to resist external environmental influences. Resistance to everything from dripping liquid to hose-down to total submersion is defined by the ratings systems. While these ratings are all intended to provide information to help you make a safer, more-informed product choice, there are differences among them.

North American Standards Organizations

In North America, NEMA, UL and CSA are the commonly recognized standards organizations. Their ratings are based on similar application descriptions and expected performance. UL and CSA both require enclosure testing by qualified evaluators in their certified labs. They also send site inspectors to make sure a manufacturer adheres to prescribed manufacturing methods and material specifications. NEMA, on the other hand, does not require independent testing and leaves compliance completely up to the manufacturer.

North American enclosure rating systems also include a rating that indicates corrosion resistance. This rating is based on the enclosure's ability to withstand prolonged exposure to salt water spray.

While the corrosion resistance rating is a good indicator that an enclosure can resist corrosion, it does not provide information on how a specific corrosive agent will affect a given enclosure material. It is best to conduct a full analysis of the specific application and environment to determine the best enclosure choice.

International Standards Organizations

Like NEMA, IEC does not require independent testing and leaves compliance completely up to the manufacturer. Nevertheless, there are differences in how enclosure performance is interpreted. For example, UL and CSA test requirements specify that an enclosure fails the water-tight test if even a single drop of water enters the enclosure. In the IEC standards for each level of ingress protection (IP), a certain amount of water is allowed to enter the enclosure.

IEC 60529 IP ratings do not specify construction requirements or degrees of protection against corrosive atmospheres, risk of explosion or conditions such as moisture or corrosive vapors. NEMA Type ratings, on the other hand, do specify construction and performance requirements for most environmental conditions. For this reason, and because the tests and evaluations for other characteristics are not identical, the IEC enclosure classification designations cannot be exactly equated with NEMA enclosure Type numbers.

CE

For industrial control equipment, the CE Mark is not intended to be applied to empty enclosures because such enclosures are inactive components of a final assembly. The responsibility of ensuring compliance with all applicable EU directives and harmonized standards belongs with the final equipment manufacturer.

EAC

EAC Standard has been approved by ISO as a local standard in Russian Federation and CIS countries and is quite similar to the EN/CE standards. The EAC collection of standards covers general and technical specifications as well as safety requirements.

At the time of this printing, the following countries use EAC Standard with some individual additions: Russia, Belarus, Ukraine, Moldova, Kazakhstan, Azerbaijan, Armenia, Kyrgyzstan, Uzbekistan, Tajikistan, Georgia, Turkmenistan

EAC certification is required in order to gain customs clearance for products at the Russian borders. The EAC certificate indicates compliance with the Russian standards. EAC is valid only for Russian Federation and may not be accepted in CIS countries. There are similar, but independent regulations in each CIS country.

PROTECTION LEVELS

NEMA, UL and CSA Ratings Enclosure Type Descriptions for Non-Hazardous Locations

	Type	NEMA	UL	CSA
Indoor	Type 1	Enclosures are intended for indoor use primarily to provide a degree of protection against contact with the enclosed equipment or locations where unusual service conditions do not exist.	Indoor use primarily to provide protection against contact with the enclosed equipment and against a limited amount of falling dirt.	General purpose enclosure. Protects against accidental contact with live parts.
Indoor	Type 12	Enclosures are intended for indoor use primarily to provide a degree of protection against dust, falling dirt and dripping noncorrosive liquids.	Indoor use to provide a degree of protection against dust, dirt, fiber flyings, dripping water and external condensation of noncorrosive liquids.	Indoor use; provides a degree of protection against circulating dust, lint, fibers and flyings; dripping and light splashing of non-corrosive liquids; not provided with knockouts.
Indoor	Type 12K	Enclosures with knockouts are intended for indoor use primarily to provide a degree of protection against dust, falling dirt and dripping noncorrosive liquids.	Indoor use to provide a degree of protection against dust, dirt, fiber flyings, dripping water and external condensation of noncorrosive liquids.	Indoor use; provides a degree of protection against circulating dust, lint, fibers and flyings; dripping and light splashing of noncorrosive liquids; not provided with knockouts.
Indoor	Type 13	Enclosures are intended for indoor use primarily to provide a degree of protection against dust, spraying of water, oil and noncorrosive coolant.	Indoor use to provide a degree of protection against lint, dust seepage, external condensation and spraying of water, oil and noncorrosive liquids.	Indoor use; provides a degree of protection against circulating dust, lint, fibers and flyings; seepage and spraying of non-corrosive liquids, including oils and coolants.
Outdoor	Type 3	Enclosures are intended for outdoor use primarily to provide a degree of protection against windblown dust, rain and sleet; undamaged by the formation of ice on the enclosure.	Outdoor use to provide a degree of protection against windblown dust and windblown rain; undamaged by the formation of ice on the enclosure.	Indoor or outdoor use; provides a degree of protection against rain, snow and windblown dust; undamaged by the external formation of ice on the enclosure.
Outdoor	Type 3R	Enclosures are intended for outdoor use primarily to provide a degree of protection against falling rain and sleet; undamaged by the formation of ice on the enclosure.	Outdoor use to provide a degree of protection against falling rain; undamaged by the formation of ice on the enclosure.	Indoor or outdoor use; provides a degree of protection against rain and snow; undamaged by the external formation of ice on the enclosure.
Outdoor	Type 3RX	Enclosures are intended for outdoor use primarily to provide a degree of protection against corrosion, falling rain and sleet; undamaged by the formation of ice on the enclosure.	Not specifically defined.	Not specifically defined.
Outdoor	Type 4	Enclosures are intended for indoor or outdoor use primarily to provide a degree of protection against windblown dust and rain, splashing water and hose directed water; undamaged by the formation of ice on the enclosure.	Either indoor or outdoor use to provide a degree of protection against falling rain, splashing water and hose-directed water; undamaged by the formation of ice on the enclosure.	Indoor or outdoor use; provides a degree of protection against rain, snow, windblown dust, splashing and hose-directed water; undamaged by the external formation of ice on the enclosure.
Outdoor	Type 4X	Enclosures are intended for indoor or outdoor use primarily to provide a degree of protection against corrosion, windblown dust and rain, splashing water and hose-directed water; undamaged by the formation of ice on the enclosure.	Either indoor or outdoor use to provide a degree of protection against falling rain, splashing water and hose-directed water; undamaged by the formation of ice on the enclosure; resists corrosion.	Indoor or outdoor use; provides a degree of protection against rain, snow, windblown dust, splashing and hose-directed water; undamaged by the external formation of ice on the enclosure; resists corrosion.
Outdoor	Type 6	Enclosures are intended for use indoors or outdoors where occasional submersion is encountered; limited depth; undamaged by the formation of ice on the enclosure.	Indoor or outdoor use to provide a degree of protection against entry of water during temporary submersion at a limited depth; undamaged by the external formation of ice on the enclosure.	Indoor or outdoor use; provides a degree of protection against the entry of water during temporary submersion at a limited depth. Undamaged by the external formation of ice on the enclosure; resists corrosion.

- This material is reproduced with permission from NEMA. The preceding descriptions, however, are not intended to be complete representations of National Electrical Manufacturers Association standards for enclosures nor those of the Electrical and Electronic Manufacturers Association of Canada.
- This material is reproduced with permission from Underwriters Laboratories Inc. Enclosures for Electrical Equipment, UL 50, 50E and Industrial Control Panels, UL 508A.
- This material is reproduced with permission from the Canadian Standards Association.
- Underwriters Laboratories Inc. (UL) shall not be responsible for the use of or reliance upon a UL Standard by anyone. UL shall not incur any obligation or liability for damages, including consequential damages, arising out of or in connection with the use, interpretation of, or reliance upon a UL Standard.
- Some enclosures may have multiple ratings. For instance: 4, 12—Outdoor use; able to be used indoors with modifications; 4X, 3RX—Outdoor use; able to be used indoors with modifications; 4, 9—Can be used in both hazardous and non-hazardous locations



IP Rating Descriptions **Example Rating**


If 1st IP number is...	and the 2nd IP number is...	Then the IP rating is
2 (protection against solid objects)	3 (protection against liquids)	IP23 An enclosure with this designation provides protection against touch with a finger, penetration of solid objects greater than 12 mm and spraying water.

First Numeral (Solid Objects and Dust)

IP	Protection of Persons	Protection of Equipment
0	No Protection	No Protection
1	Protected against contact with large areas of the body (back of hand)	Protected against objects over 50 mm in diameter
2	Protected against contact with fingers	Protected against solid objects over 12 mm in diameter
3	Protected against tools and wires over 2.5 mm in diameter	Protected against solid objects over 2.5 mm in diameter
4	Protected against tools and wires over 1 mm in diameter	Protected against solid objects over 1 mm in diameter
5	Protected against tools and wires over 1 mm in diameter	Protected against dust (limited ingress, no harmful deposit)
6	Protected against tools and wires over 1 mm in diameter	Totally protected against dust

Second Numeral (Liquid)

IP	Protection of Equipment
0	No Protection
1	Protected against vertically falling drops of water, e.g. condensation
2	Protected against direct sprays of water up to 15 degrees from vertical
3	Protected against sprays up to 60 degrees from vertical
4	Protected against water sprayed from all directions (limited ingress permitted)
5	Protected against low-pressure jets of water from all directions (limited ingress permitted)
6	Protected against strong jets of water
7	Protected against the effects of immersion between 15 cm and 1 m
8	Protected against long periods of immersion under pressure
9	Protected against high pressure and temperature water jets

SCCR REQUIREMENTS PER UL (CONDENSED VERSION)

Article 409 of the 2008 National Electric Code (NFPA 70) requires industrial control panels to be marked with a short circuit current rating. As specified in the National Electric Code, UL508A-2001 Supplement SB, the Standard of Safety for Industrial Control Equipment, provides an accepted method for determining the short-circuit current rating of the control panel.

The SCCR rating for our air conditioners and heat exchangers has a default value of 5 kA.

You may use a 5 or 10 kVA isolation transformer between the customer's panel and our air conditioner and not have an effect on the customer's 65 kA rating.

You may use a fuse or circuit breaker with a 5 kA short circuit rating on the line side of the ACU and its branch circuit protective device and not have an effect on the customer's 65 kA rating.

The current limiting fuse or circuit breaker used on the line side of the branch circuit protection for the ACU must have a SCCR equal to or greater than that of the panel rating. Additionally, for a current limiting fuse, the customer would need to verify that the let-through current ($I_p * 10^3$) of the fuse is less than or equal to 5KA by referencing table SB4.2 of UL 508A. If a circuit breaker is used as feeder protection, it **must** be marked Current Limiting type from the manufacturer, and the panel builder would need to verify based on the manufacturers published curves that the let-through current is less than or equal to 5kA. Examples of these curves are included in UL 508A supplement SB.

You can run separate circuits for the panel and the air conditioner as long as each is labeled with their individual SCCR ratings. (5 kA and 65 kA)

If the customer does not implement one of the options above, then the resulting SCCR rating would be the 5 kA rating of the ACU, if that is the lowest rated component in the panel.

Testing represents another option; however, if the customer does not implement these options, then the resulting short circuit rating of the panel is based on the lowest short circuit current rating of all power circuit components installed in the panel.

REMOTE ACCESS CONTROL (RAC)



Application

Hoffman's Spectracool Remote Access Control (RAC) system is an integrated, parametric controller designed to work seamlessly with our enclosure air conditioner (A/C) units for the purpose of remotely monitoring and managing anywhere from a single A/C unit to an entire network of Spectracool air conditioners from virtually anywhere in the world with a secure internet connection.

Electrical Engineering Maintenance, IT System Managers and others can ensure that their systems are always running at optimal levels using the Spectracool Remote Access Control System to help increase productivity and improve overall system reliability. Whether you have a single A/C unit 1,000 miles away in a remote location, or have hundreds of units in a local factory, the Spectracool Remote Access Control System can reduce the number of people needed to monitor and control your enclosure cooling systems to a single individual.



Specification

- Supports most standard wire and wireless routers
- Works with most Hoffman Air Conditioners
- Input voltage range: 9.5V to 95V
- Operating voltage: 24V
- Operating temperature: -40 C to 65 C
- Storage temperature: -40 C to 85 C
- Supports up to 2 temperature sensors
 - Sensor temperature range: -50 C to 105 C
 - Sensor accuracy: ±0.2 C
 - Sensor input: Analog or NTC
- Supports up to 10 alarms
 - Door open alarm
 - High temperature alarm
 - Low temperature alarm
 - Air inlet temperature sensor failure alarm
 - Air outlet temperature sensor failure alarm
 - High pressure warning
 - Low pressure alarm
 - Frost alarm
 - Lost communication alarm (LC)
 - Lost communication alarm (LC1)
- Interfaces
 - USB port to interface with PC for system configurations
 - Ethernet port to interface with local network for remote access
 - RS485 Bus
 - Input voltage
- Supports multiple communication protocols
 - SNMP, Modbus TCP, Ethernet/IP, and Profinet protocol

Models with °C Controller Operating Parameters

Parameter	Description	Default Value (°C)	Range (°C)
r01	Cooling set-point	35	20 to 55
r02	Cooling differential	5	-
P08	Door Open and/or smoke detected	28	4 or 28

Models with °C Controller Alarm Parameters

Parameter	Description	Default Value (°C)	Range (°C)
P16	High temperature Alarm	55	-
P19	Low temperature Alarm	14	-

Models with °F Controller Operating Parameters

Parameter	Description	Default Value (°F)	Range (°F)
r01	Cooling set-point	80	72 to 120
r02	Cooling differential	7	-
P08	Door open and/or smoke detected	28	4 or 28
AD4	Heating set-point*	50*	32 to 60
AD5	Heating differential*	7*	-

Cooling turns on at r01 + r02, and off at r01

Heating turns on at AD4, and off at AD4 + AD5

*Functional only on units with heater option

Models with °F Controller Alarm Parameters

Parameter	Description	Default Value (°F)	Range (°F)
P16	High temperature Alarm	125	-
P19	Low temperature Alarm	40	-

Alarm Condition Display

Parameter	Description	Cause	Result	Alarm Relay
TP	High temperature Alarm	Door open and/or smoke detected	Unit turns off for duration of alarm	Relay contacts close
LA	Low temperature Alarm	MAF high pressure switch opens	No effect on function	N/A
E1	Air inlet temperature Sensor Alarm	Sensor Failure	Unit turns off for duration of alarm	Relay contacts close
E2	Air Outlet temperature Sensor Alarm	Sensor Failure	Unit turns off for duration of alarm	Relay contacts close
Ht	High temperature Alarm	Cabinet over temperature	No effect on function	Relay contacts close
Lt	Low temperature Alarm	Cabinet under temperature	No effect on function	Relay contacts close
A1	Frost Alarm	Evaporator coil frozen	Compressor and evaporator fan off for duration of alarm	Relay contacts close



CHAPTER 3 SEALED ENCLOSURE COOLING

FEATURED PRODUCTS

SPECTRACOOOL SLIM FIT AIR CONDITIONERS

Designed and developed to meet the requirements of worldwide industrial customers. With filterless operation, slim-fit design, global certifications and our new remote access controller, these air conditioners make automation cooling easy for system designers and operations maintenance teams around the world.



SPECTRACOOOL AIR CONDITIONERS

Designed to deliver vital cooling to sensitive electrical equipment within enclosures, SPECTRACOOOL air conditioners provide energy-efficient, reliable cooling in rugged indoor and outdoor environments. With a variety of cooling capacities and sizes, air conditioners are ideal for applications ranging from low-profile cabinet cooling to large cabinet cooling.





CHAPTER CONTENTS

AIR CONDITIONERS

SPECTRACOOL Indoor/Outdoor	36
SPECTRACOOL with Advanced Corrosion Protection Overview	60
SPECTRACOOL with Advanced Corrosion Protection	61
SPECTRACOOL Slim Fit Indoor	84
SPECTRACOOL Narrow Compact Indoor	100
SPECTRACOOL Narrow Indoor/Outdoor	110
SPECTRACOOL Narrow with Advanced Corrosion Protection Overview	128
SPECTRACOOL Narrow with Advanced Corrosion Protection Compact	129
SPECTRACOOL Narrow with Advanced Corrosion Protection	139
SPECTRACOOL Compact Indoor	158
SPECTRACOOL Hazardous Location Indoor/Outdoor	166
EASY SWAP Adaptor Plenums For Air Conditioners	184
T-SERIES Compact Outdoor	186
T-SERIES Mid-size Outdoor	194
T-SERIES Large Capacity Outdoor	212
GENESIS Top-Mount Indoor	222
PROAIR Harsh Environment	228
Water-Cooled Indoor/Outdoor	238

HEAT EXCHANGERS

CLIMAGUARD Air-to-Air Indoor	242
CLIMAGUARD Air-to-Air Outdoor	258
CLIMAGUARD Air-to-Water Indoor	272

THERMOELECTRIC COOLERS

Thermoelectric Coolers Indoor/Outdoor	282
Thermoelectric Temperature Controller	290
Thermoelectric Condensate Manager	291

VORTEX COOLERS

Vortex Coolers Indoor/Outdoor	292
Quiet Vortex A/C Enclosure Coolers, Type 4/4X/12	295
Vortex A/C Enclosure Coolers, Hazardous Location	298
Vortex Cooling Air Filters	300
Vortex Cooling Oil Filters	300
Vortex Cooling Generator Kits	300
Vortex Cooling VA Series Air Ducting	300
Vortex Cooling VHL Series Air Ducting	300



SPECTRACOOL HAZARDOUS LOCATION AIR CONDITIONERS

Designed specifically for hazardous location cooling with an attractive design and no heavy cast enclosure.



They do not require any purge and pressurized system. Constructed of a corrosion resistant coating for Type 4X rating. The Narrow design accommodates 12-in (300-mm) deep cabinets. These air conditioners use earth-friendly R134a refrigerants and are available for 115, 230 and 400/460 3-phase VAC models.

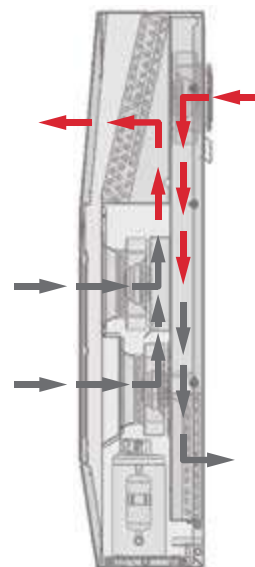
SPECTRACOOL INDOOR/OUTDOOR



G57
20000 BTU/Hr.
5861 Watt

G52
8000/12000 BTU/Hr.
2300/3500 Watt

G28
4000/6000 BTU/Hr.
1172/1758 Watt



■ Clean AirFlow
■ Ambient AirFlow

3

INDUSTRY STANDARDS

UL/cUL Listed; Type 12, 3R, 4; 4X optional; File No. SA6453

CE
EAC
IP 56 Internal Loop
IP 34 on External Loop
Telcordia GR-487 capable (Outdoor)

APPLICATION

- Industrial automation
- Telecommunications equipment
- Waste water treatment systems
- Package handling equipment
- Security and defense systems
- And more

FEATURES

- Energy-efficient rotary compressor on most models
- R407c and R134a earth-friendly refrigerants
- 115, 230 and 400/460 VAC 3-phase power input on most models
- UL Listed to save customers time and money with agency approvals
- Outdoor model operating temperature range from -40 F/-40 C to 131 F/55 C
- Exterior and partially recessed mounting options
- Attractive industrial design with minimal use of visible fasteners
- Reliable mechanical thermostat on enclosure side of the unit; indoor air conditioner models include digital display on ambient side
- Dual condenser-side air movers for performance redundancy on G52 and G57 models
- Galvanized sheet-metal cover for rugged factory and outdoor environments
- Easy-mount flanges for simple installation

- Cut-out adapter options for enclosures with GENESIS and T-Series air conditioners, enable users to easily transition to the new unit
- Dust-resistant condenser coil allows the unit to be run filterless in most applications
- Cleanable, reusable aluminum mesh filter protects coils for maximum cooling performance
- Mounting hardware, gaskets and user manual furnished with the unit
- Every unit functionally tested before shipping
- Standard Indoor Air Conditioner models also include:
 - Active condensate management with heater strip
 - Power-off relay for door switch and other system requirements
 - Malfunction switch
- Standard Outdoor Air Conditioner models also include:
 - Telcordia GR-487 capable
 - Corrosion-resistant components
 - Malfunction switch
 - Compressor heater
 - Head pressure control
 - Up to 2000 Watt (G28, G52) and 3000 Watt (G57) enclosure heater

SPECIFICATIONS

- Nominal cooling capacity:
 - G28 4000 & 6000 BTU/Hr. (1172 and 1758 W)
 - G52 8000 & 12000 BTU/Hr. (2344 and 3516 W)
 - G57 20000 BTU/Hr. (5861 W)
- Outdoor model operating temperature range from -40 F/-40 C to 131 F/55 C

FINISH

- RAL 7035 light-gray, semi-textured powder-coat paint
- Other colors and textures available

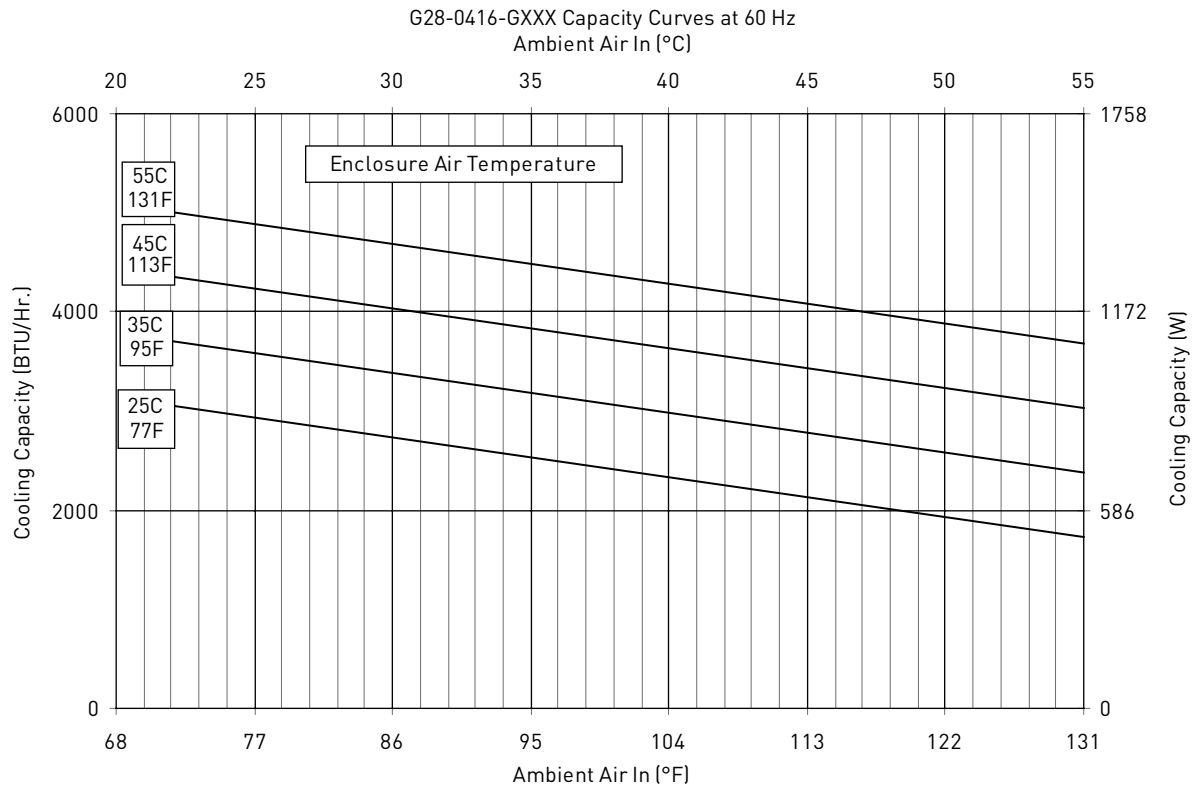
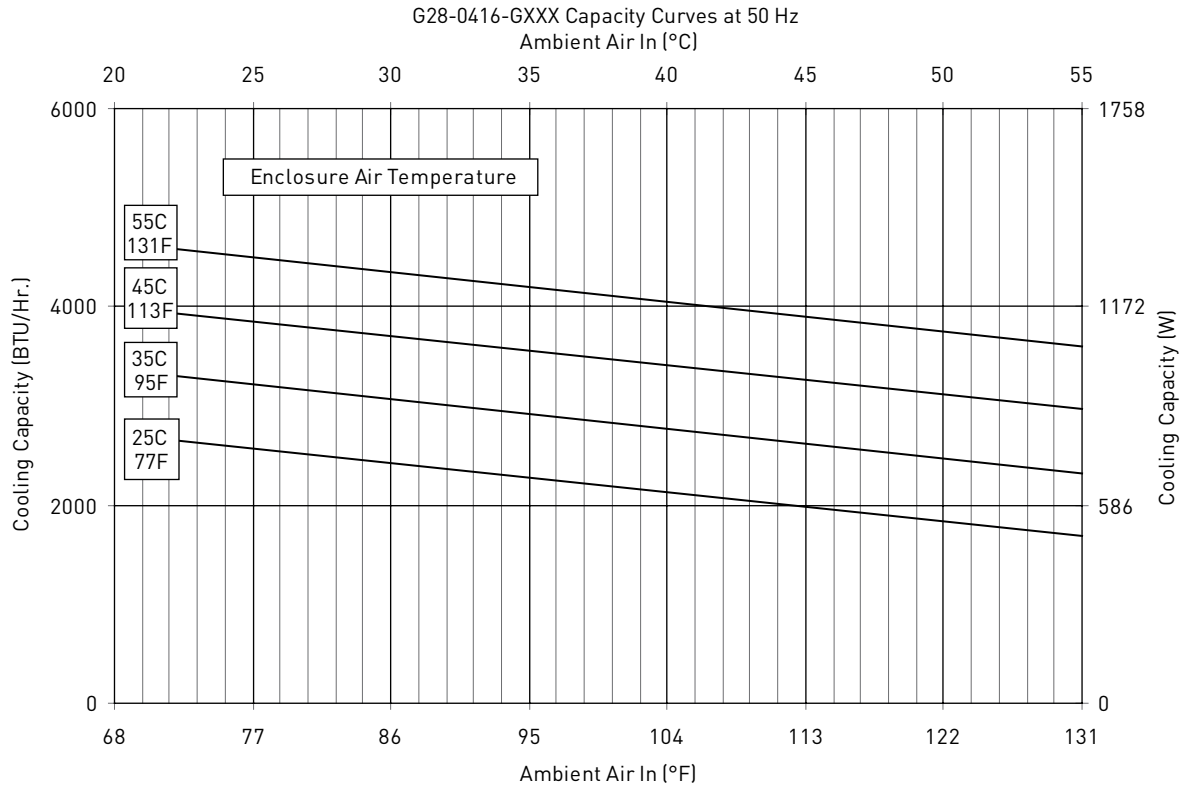


Performance Data **G28 Models 4000/6000 BTU/Hr. (1172/1758 Watt)**

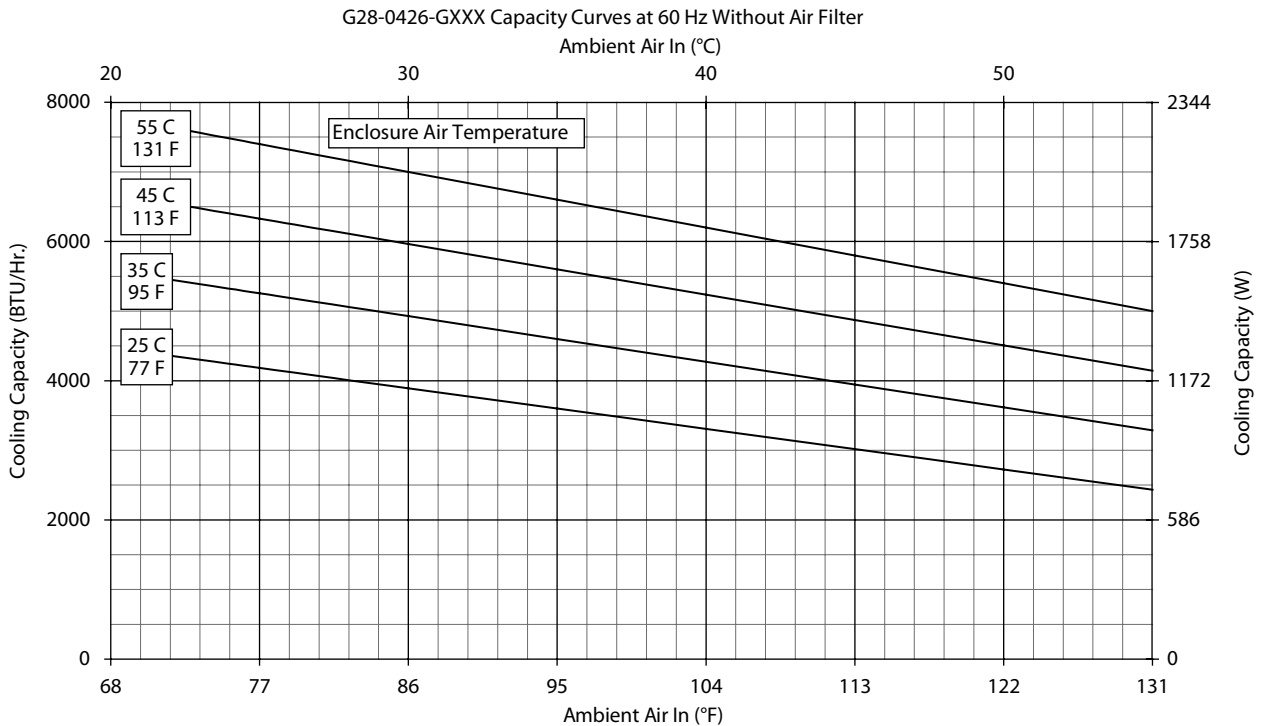
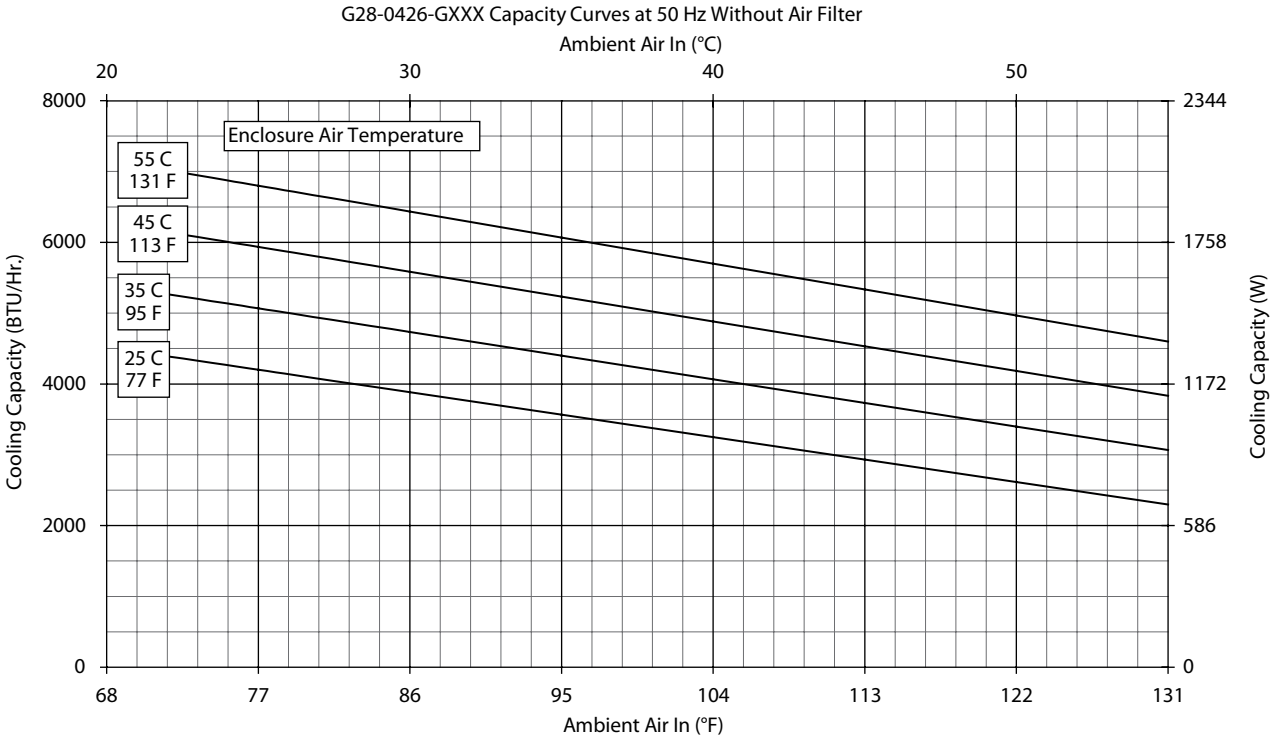
CATALOG NUMBER						
Indoor Model	G280416G050	G280426G050	G280446G050	G280616G050	G280626G050	G280646G050
Indoor Model Stainless Steel Type 4X	G280416G051	G280426G051	G280446G051	G280616G051	G280626G051	G280646G051
Indoor Model with Remote Access Control*	G280416G060	G280426G060	G280446G060	G280616G060	G280626G060	G280646G060
Outdoor Model without Heat Pkg.	G280416G100	G280426G100	G280446G100	G280616G100	G280626G100	G280646G100
Outdoor Model Partial Recessed Mount	G280416G101	G280426G101	G280446G101	G280616G101	G280626G101	G280646G101
Outdoor Model without Heat Pkg. Stainless Steel Type 4X	G280416G102	G280426G102	G280446G102	G280616G102	G280626G102	G280646G102
Outdoor Model with Heat Pkg.	G280416G150	G280426G150	—	G280616G150	G280626G150	—
Outdoor Model with Heat Pkg. Stainless Steel Type 4X	G280416G151	G280426G151	—	G280616G151	G280626G151	—
COOLING PERFORMANCE						
Nominal:						
BTU/Hr.	4000	4600/4900	4600/4900	6000/6400	6000/6400	5400/6000
Watts	1172	1347/1435	1347/1435	1757/1874	1757/1874	1581/1757
At 131 F/131 F (55 C/55 C):						
BTU/Hr. (50/60 Hz)	3700	4600/4900	4600/4900	6000/6400	6000/6400	5400/6000
W (50/60 Hz)	1084	1347/1435	1347/1435	1757/1874	1757/1874	1581/1757
At 95 F/95 F (35 C/35 C):						
BTU/Hr. (50/60 Hz)	3300/3410	4300/4600	4324/4655	5600/6000	5600/6000	5054/5685
W (50/60 Hz)	967/1000	1260/1364	1267/1364	1641/1758	1641/1758	1481/1666
Refrigerant	R134A	R407C	R134A	R407C	R407C	R134A
Refrigerant Charge (ounces/grams)	12/340	20/567	16/454	20/567	20/567	16/454
Operating Temperature Range:						
Maximum (*F/*C)	131 F/55 C	131 F/55 C	131 F/55 C	131 F/55 C	131 F/55 C	131 F/55 C
Minimum (*F/*C)	-40 F/-40 C	-40 F/-40 C	-40 F/-40 C	-40 F/-40 C	-40 F/-40 C	-40 F/-40 C
Air Flow at 0 Static Pressure:						
Internal loop 50 Hz (CFM / m ³ /hr.)	151/256	189/321	189/321	189/321	189/321	189/321
External loop 50 Hz (CFM / m ³ /hr.)	284/482	291/494	291/494	291/494	291/494	291/494
Internal loop 60 Hz (CFM / m ³ /hr.)	183/310	221/375	221/375	221/375	221/375	221/375
External loop 60 Hz (CFM / m ³ /hr.)	290/492	300/509	300/509	300/509	300/509	300/509
Max. Heater W (Outdoor Models)	2000	2000		2000	2000	
ELECTRICAL DATA						
Rated Voltage	115	230	400/460 3~	115	230	400/460 3~
Frequency (Hz)	50/60	50/60	50/60	50/60	50/60	50/60
Operating Range	+/- 10%	+/- 10%	+/- 10%	+/- 10%	+/- 10%	+/- 10%
Max. Power Consumption (W at 50/60 Hz)	465/1055	1058/1334	680/874	1138.5/1311	1058/1334	680/874
Max. Nominal Current (A at 50/60 Hz)	10.4/10.1	4.6/5.8	1.7/1.9	9.9/11.4	4.6/5.8	1.7/1.9
Starting Current (A)	36.2	17.7	7.7	36.2	17.7	7.7
Agency Approvals				UL/cUL Listed		
				CE		
				EAC		
Power Input Description				Terminal Block		
ENCLOSURE PROTECTION						
UL Type				Type 12, 3R, 4 Standard		
				Type 4X Stainless Steel Optional		
CONTROLLER						
Description				Basic Mechanical Thermostat		
Thermostat Location				Enclosure Side on All Base Models		
Factory Thermostat Setting (*F/*C)	80/27	80/27	80/27	80/27	80/27	80/27
SOUND LEVEL						
At 1.5 Meters				68 dB(A)		
UNIT CONSTRUCTION						
Material				Galvanized Sheet Metal Standard (Optional: Stainless Steel)		
Finish				Powder Coat RAL 7035 Light Gray Standard		
ACCESSORIES						
EASYSWAP Adaptor Plenum (GENESIS M28)				Enables SPECTRACOOL to be mounted to GENESIS M28 air conditioner cutout		
				Catalog Number PLM28G28		
EASYSWAP Adaptor Plenum (T-Series T29)				Enables SPECTRACOOL to be mounted to T-Series T29 air conditioner cutout		
				Catalog Number PLT29G28		
UNIT DIMENSIONS						
Height (in./mm)				28.55/725.1		
Width (in./mm)				16.97/431.1		
Depth (in./mm)				10.10/256.6		
Weight (lb./kg)	84/38	84/38	84/38	84/38	84/38	84/38

*Units with Remote Access Control utilize a digital controller and communicate via EtherNet/IP, Profinet, Modbus TCP/IP and SNMP over ethernet or modbus RTU over USB.

Performance Curves for G28 Models 4000 BTU/Hr. (1347/1435 Watt)



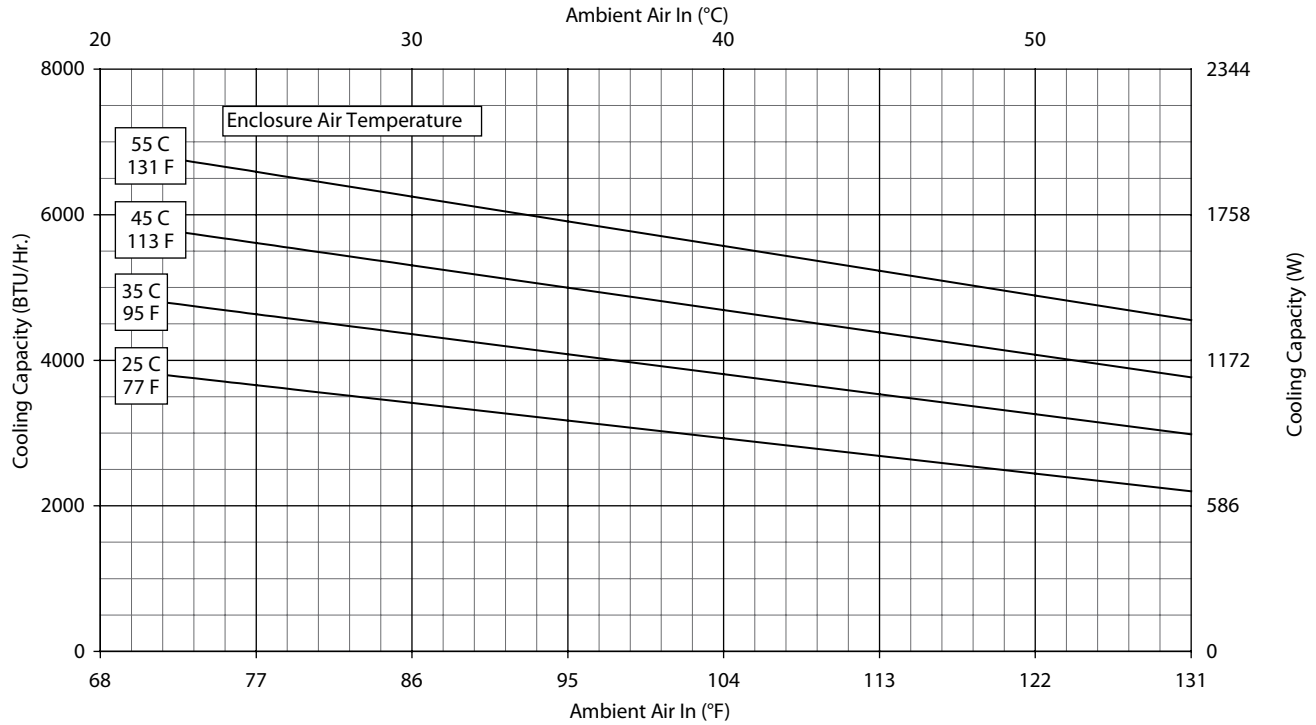
Performance Curves for G28 Models 4000 BTU/Hr. (1347/1435 Watt)



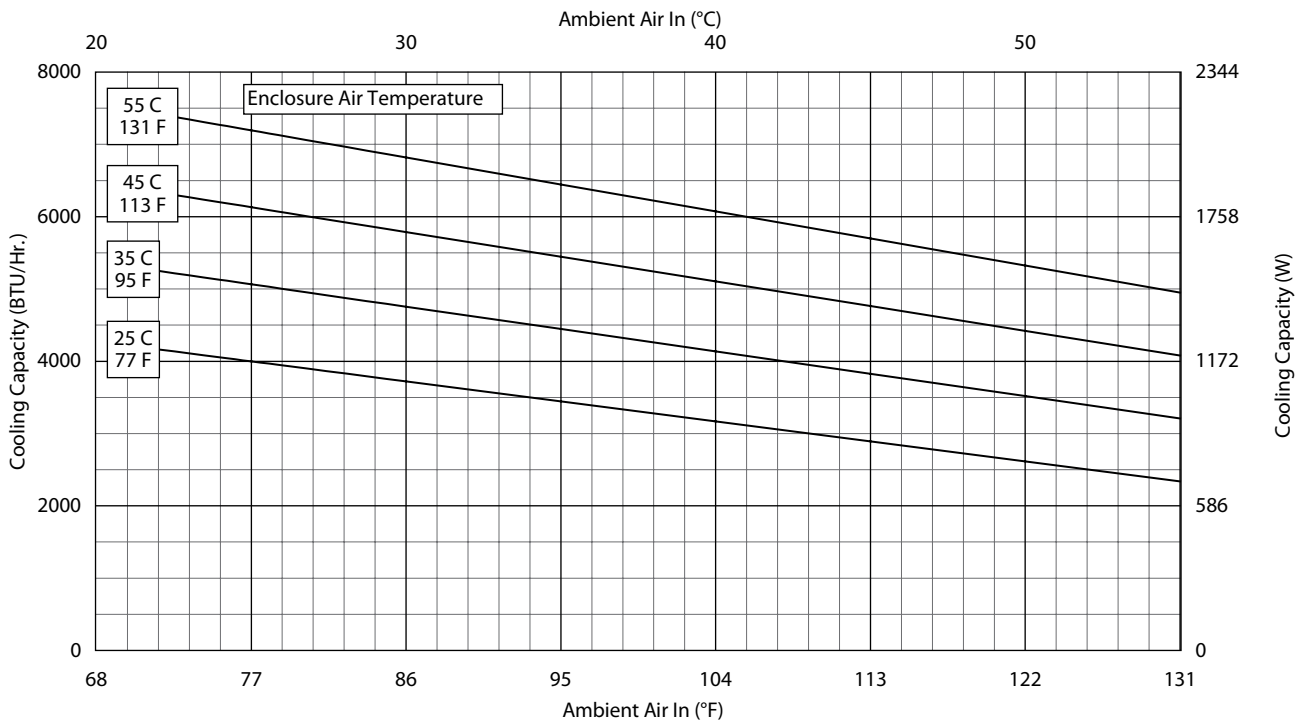
Performance Curves for G28 Models 4000 BTU/Hr. (1347/1435 Watt)



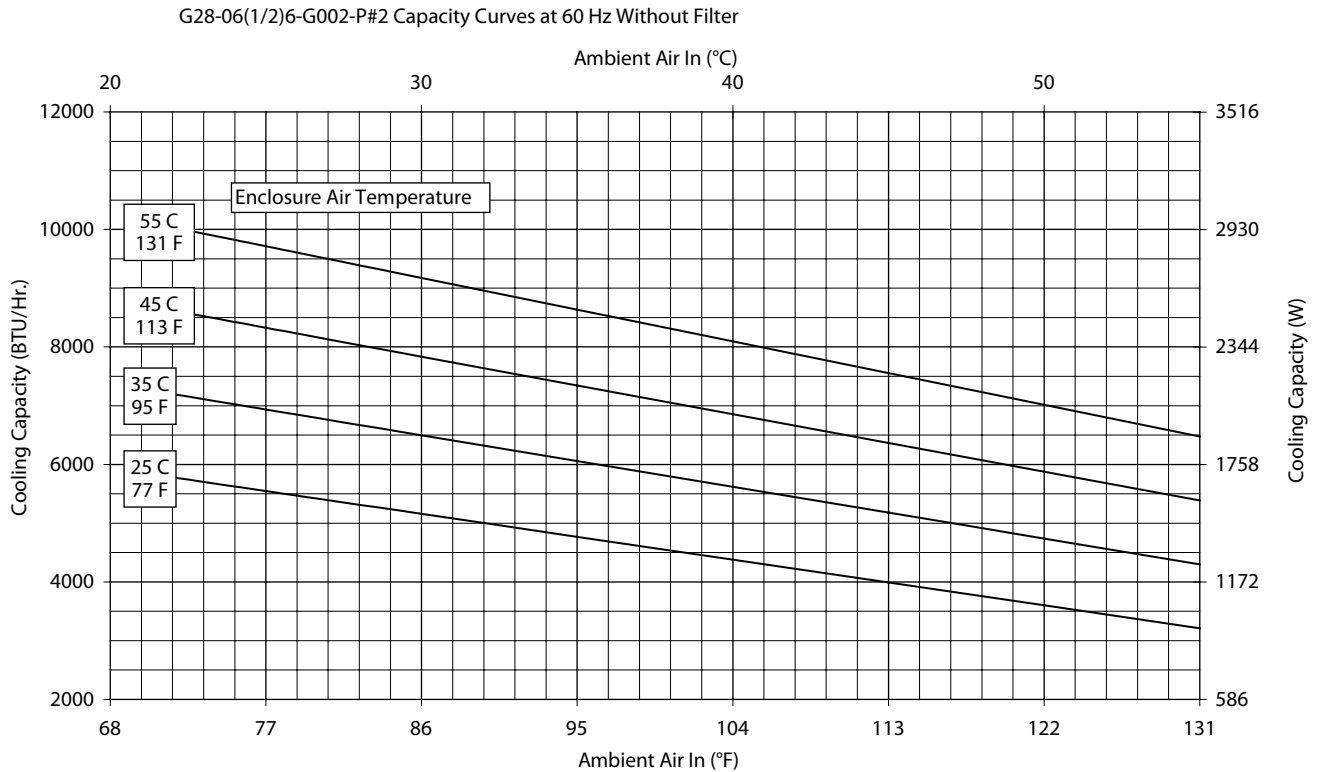
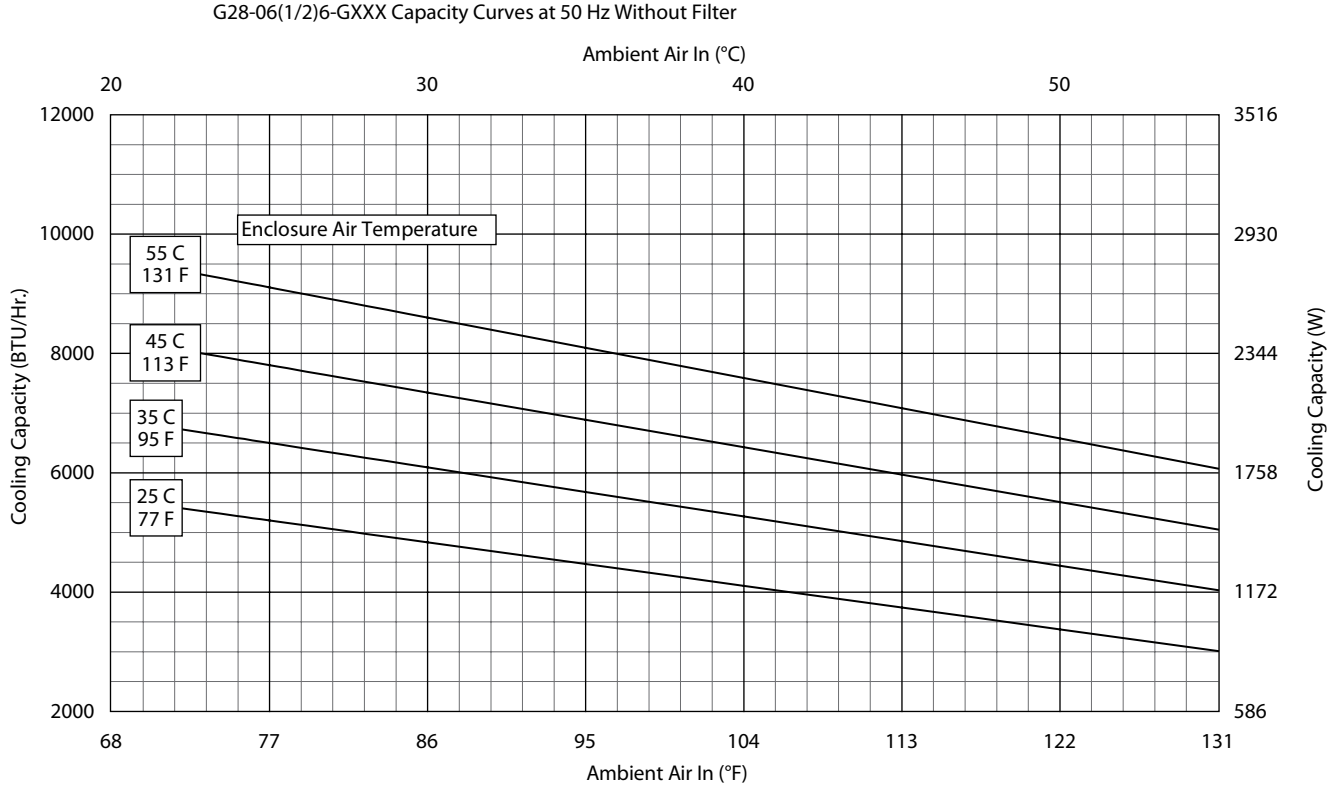
G28-0446-GXXX- Capacity Curves at 50 Hz; Without Filter



G28-0446-GXXX- Capacity Curves at 60 Hz; Without Filter



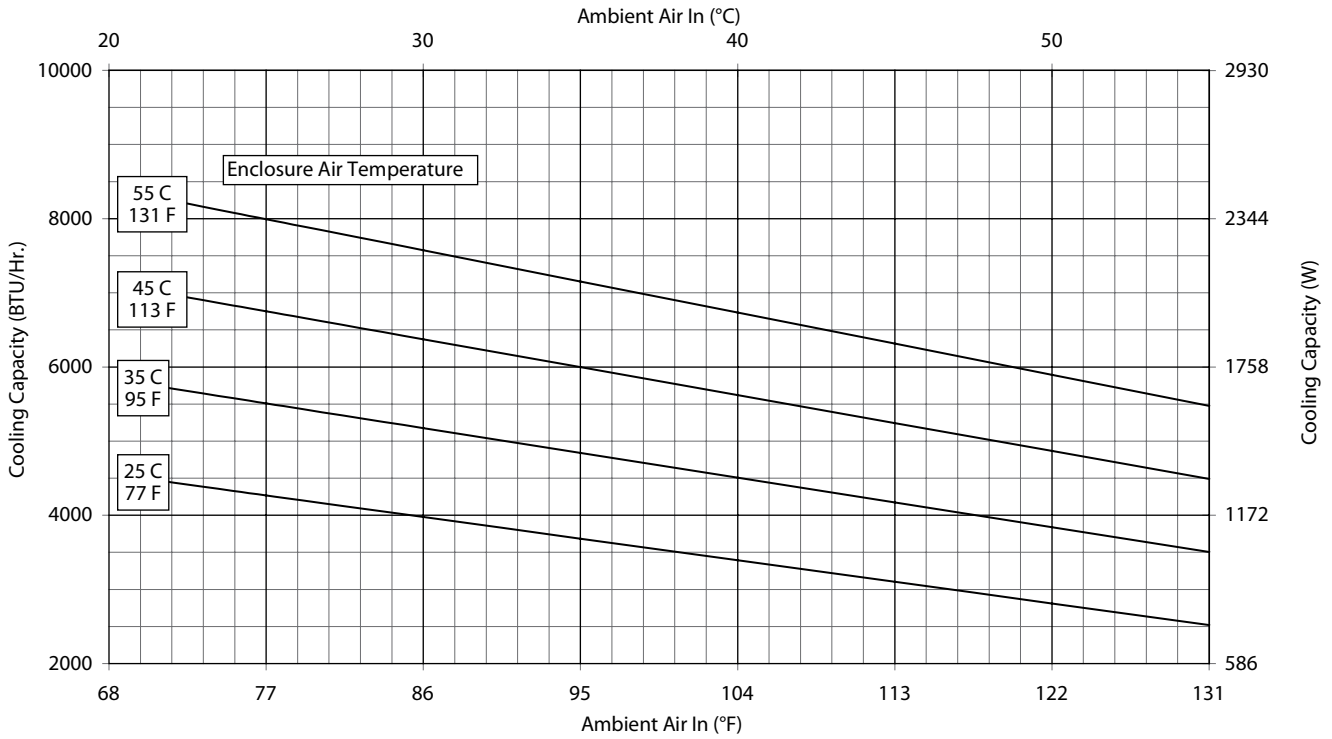
Performance Curves for G28 Models 4000/6000 BTU/Hr. (1172/1758 Watt)



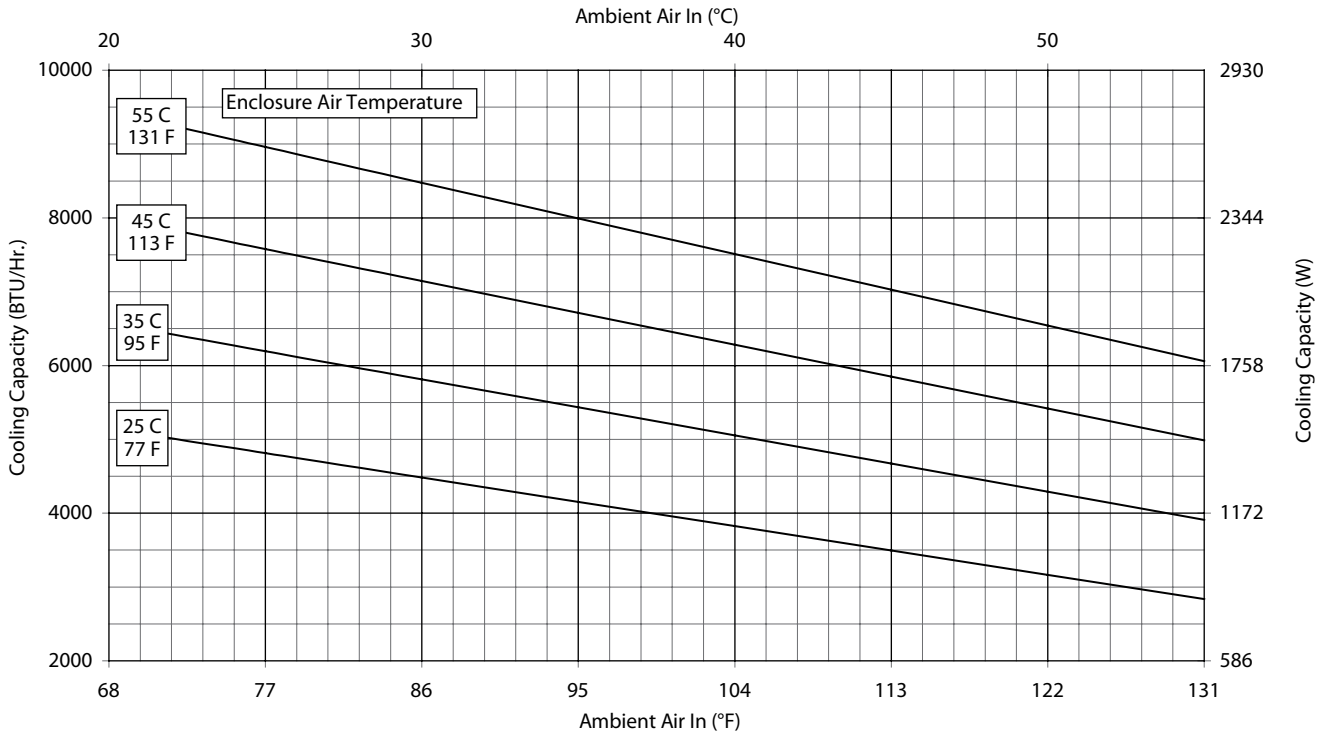
Performance Curves for G28 Models 6000 BTU/Hr. (1758 Watt)



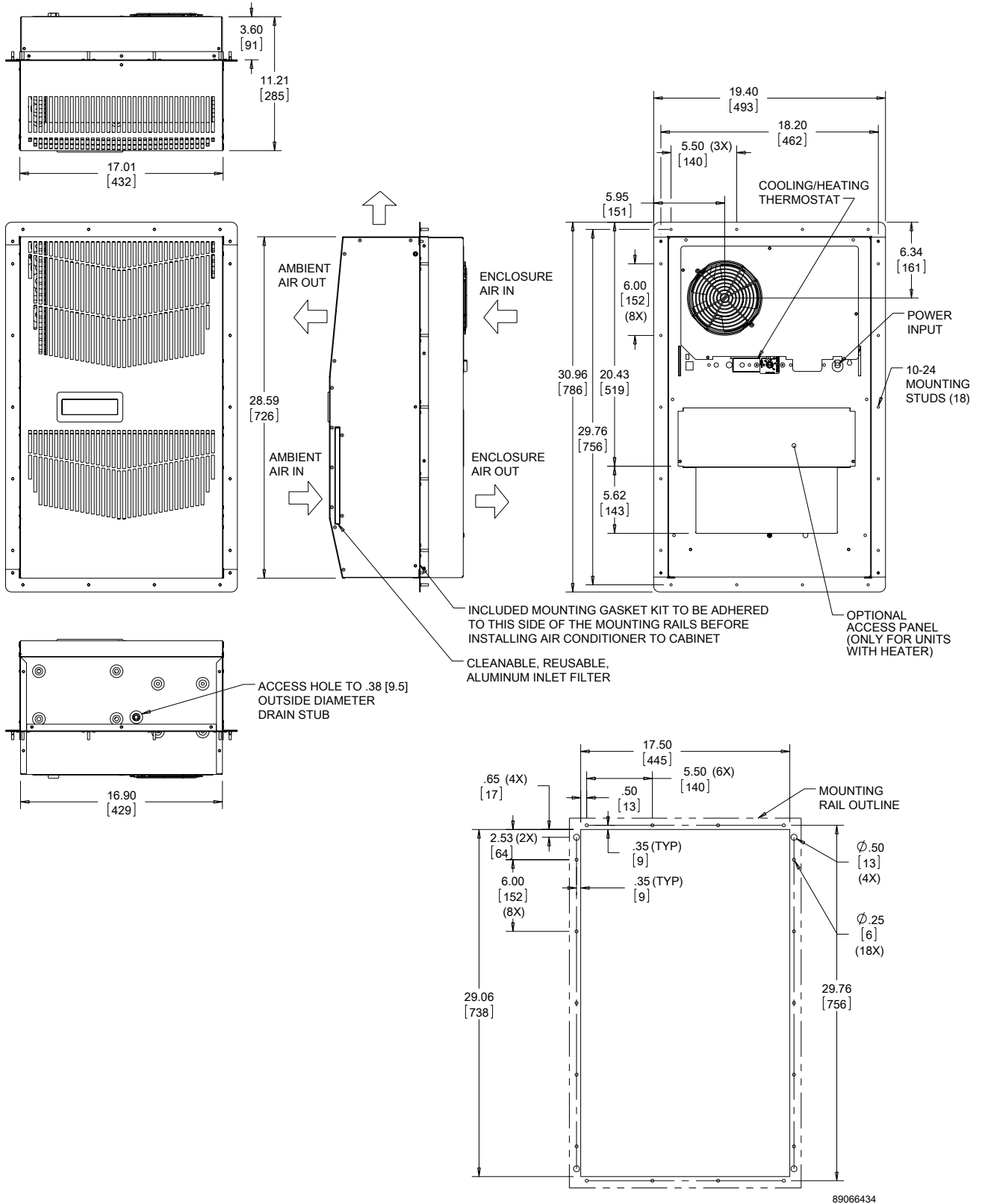
G28-0646-GXXX Performance Curve 400VAC/50Hz Without Air Filter



G28-0646-GXXX Performance Curve 460VAC/60Hz Without Air Filter



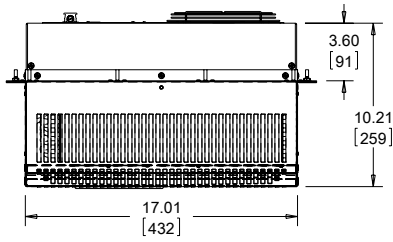
G28 Models 4000 BTU/Hr. 115 V (1172 Watt) Partial Recess



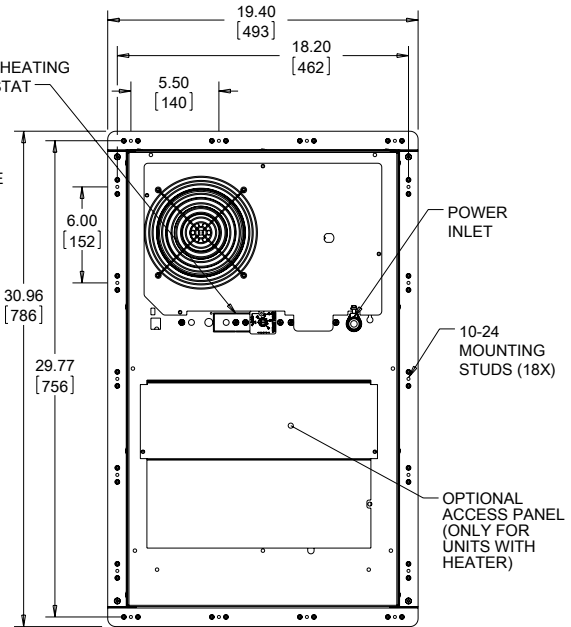
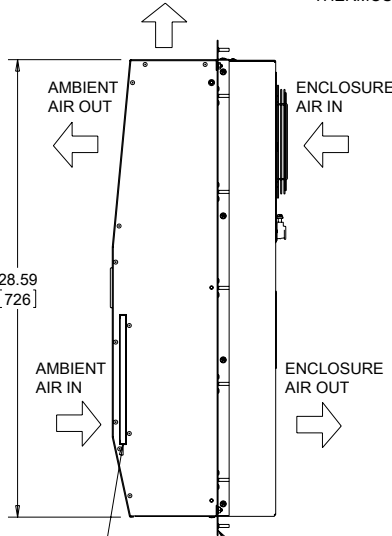
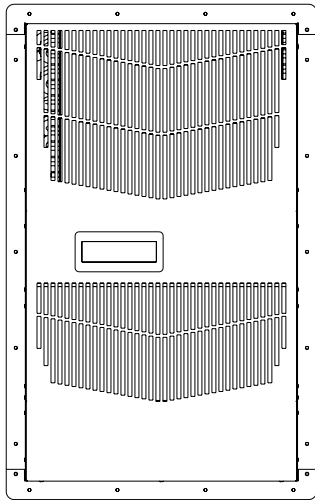
Cutout Dimensions

Visit nVent.com/HOFFMAN to download 2D and 3D CAD drawings into the overall design of your electrical system.

G28 Model 4000 BTU/Hr. 230/460 V, 6000 BTU/Hr. 115/230/460 V (1172/1758 Watt) Partial Recess



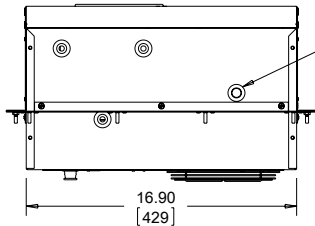
NOTE:
 1. MOUNTING GASKET SUPPLIED (NOT SHOWN)
 2. UNITS: in. [mm]



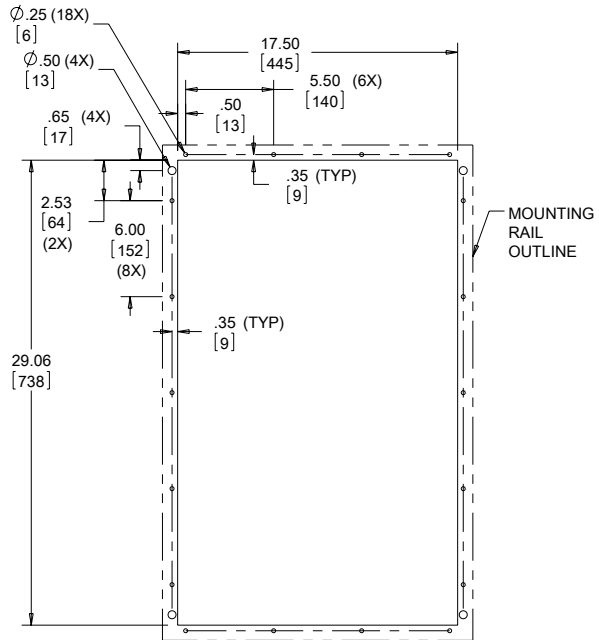
89083989

CLEANABLE, REUSABLE, ALUMINUM INLET FILTER

INCLUDED MOUNTING GASKET KIT TO BE ADHERED TO THIS SIDE OF THE MOUNTING RAILS BEFORE INSTALLING AIR CONDITIONER TO CABINET



ACCESS HOLE TO .38 [9.5] OUTSIDE DIAMETER DRAIN STUB



Cutout Dimensions

Visit nVent.com/HOFFMAN to download 2D and 3D CAD drawings into the overall design of your electrical system.



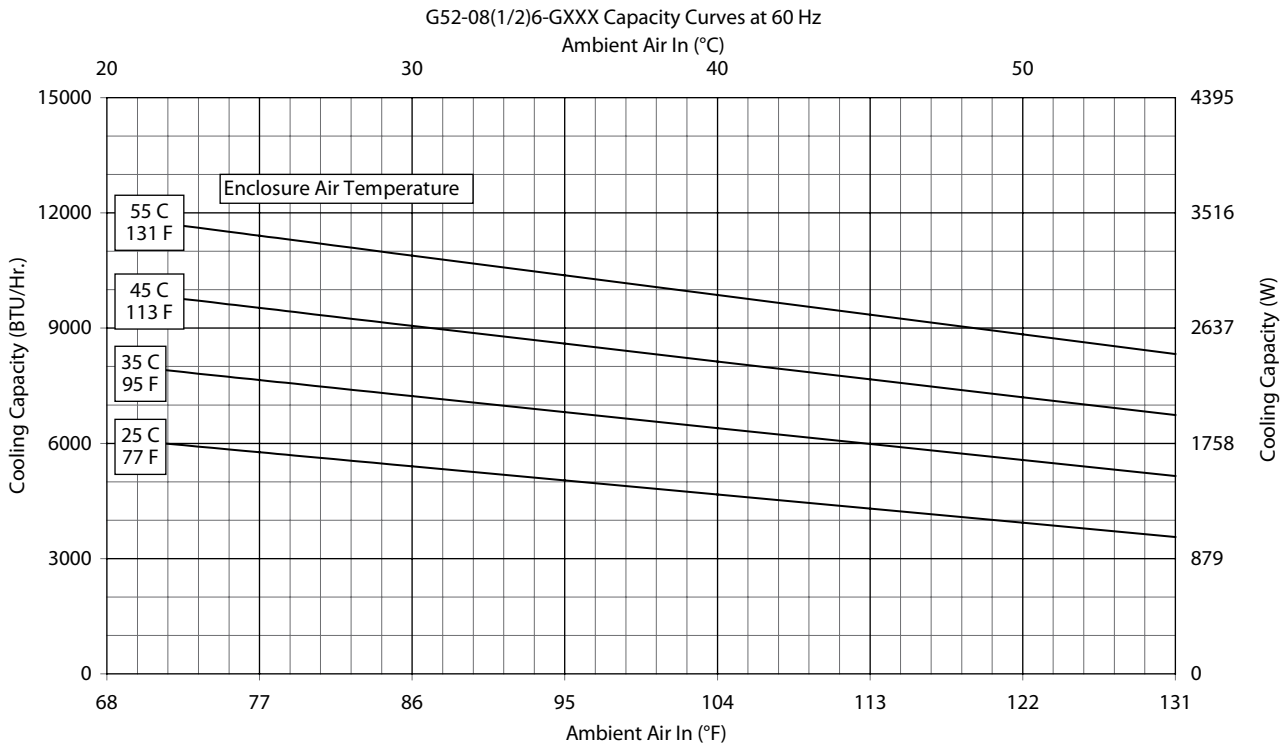
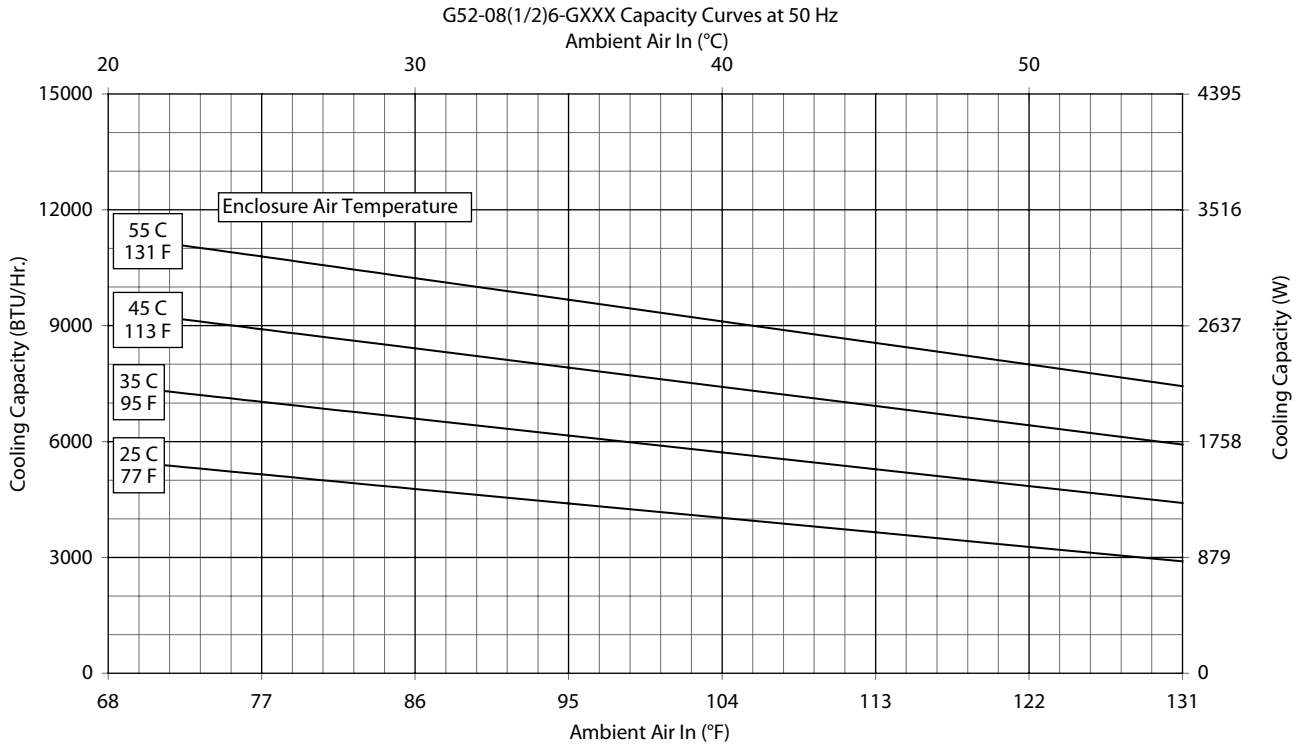
Performance Data **G52 Models 8000/12000 BTU/Hr. (2300/3500 Watt)**

CATALOG NUMBER						
Indoor Model	G520816G050	G520826G050	G520846G050	G521216G050	G521226G050	G521246G050
Indoor Model Stainless Steel Type 4X	G520816G051	G520826G051	G520846G051	G521216G051	G521226G051	G521246G051
Indoor Model with Remote Access Control*	G520816G060	G520826G060	G520846G060	G521216G060	G521226G060	G521246G060
Outdoor Model without Heat Pkg.	G520816G100	G520826G100	G520846G100	G521216G100	G521226G100	G521246G100
Outdoor Model Partial Recessed Mount	G520816G101	G520826G101	G520846G101	G521216G101	G521226G101	G521246G101
Outdoor Model without Heat Pkg. Stainless Steel Type 4X	G520816G102	G520826G102	G520846G102	G521216G102	G521226G102	G521246G102
Outdoor Model with Heat Pkg.	G520816G150	G520826G150	G520846G150	G521216G150	G521226G150	G521246G150
Outdoor Model with Heat Pkg. Stainless Steel Type 4X	G520816G151	G520826G151	G520846G151	G521216G151	G521226G151	G521246G151
COOLING PERFORMANCE						
Nominal:						
BTU/Hr.	8000	8000	8000	12000	12000	12000
Watts	2300	2300	2300	3500	3500	3500
At 131 F/131 F (55 C/55 C):						
BTU/Hr.	7300/8200	7300/8200	8800/9800	12000/12500	12000/12500	11100/12000
Watts	2139/2403	2139/2403	2578/2871	3516/3662	3516/3662	3252/3516
At 95 F/95 F (35 C/35 C):						
BTU/Hr.	6000/6800	6000/6800	7400/8200	9900/10700	9900/10700	9900/10700
Watts	1758/1992	1758/1992	2168/2402	2900/3135	2900/3135	2900/3135
Refrigerant	R134a	R134a	R134a	R134a	R134a	R134a
Refrigerant Charge (ounces/grams)	24/680	24/680	24/680	38/1077	38/1077	38/1077
Operating Temperature Range:						
Maximum (°F/°C)	131/55	131/55	131/55	131/55	131/55	131/55
Indoor Minimum (°F/°C)	50/10	50/10	50/10	50/10	50/10	50/10
Outdoor Minimum (°F/°C)	-40/-40	-40/-40	-40/-40	-40/-40	-40/-40	-40/-40
Airflow at 0 Static Pressure:						
Internal loop 50 Hz (CFM / m ³ /hr.)	285/484	285/484	285/484	287/487	287/487	287/487
External loop 50 Hz (CFM / m ³ /hr.)	650/1104	650/1104	650/1104	635/1078	635/1078	635/1078
Internal loop 60 Hz (CFM / m ³ /hr.)	310/527	310/527	310/527	305/518	305/518	305/518
External loop 60 Hz (CFM / m ³ /hr.)	700/1189	700/1189	700/1189	650/1104	650/1104	650/1104
Max. Heater W (Outdoor Models):	2000	2000	NA	2000	2000	NA
ELECTRICAL DATA						
Rated Voltage	115	230/208-230	400/460 3~	115	230/208-230	400/460 3~
Frequency (Hz)	50/60	50/60	50/60	50/60	50/60	50/60
Operating Range	+/- 10%	+/- 10%	+/- 10%	+/- 10%	+/- 10%	+/- 10%
Max. Power Consumption (W)	1250/1415	1250/1415	806/957**	2100/2427	1830/2130	910/1106**
Max. Nominal Current (A at 50/60 Hz)	11.2/12.3	5.6/7.0-6.2	3.1/3.2	16.1/21.0	9.1/10.6-9.5	3.6/3.5
Starting Current (A)	48	27	16	57	38	16
Agency Approvals	UL/cUL Listed CE EAC Others available upon request					
Power Input Description	Terminal Block					
ENCLOSURE PROTECTION						
UL Type	Type 12, 3R, 4 standard Type 4X Stainless steel optional					
International Rating	IP56 internal loop IP34 external loop					
CONTROLLER						
Description	Basic mechanical thermostat with digital display					
Thermostat Location	Enclosure side on all base models					
Digital Display Location:						
Indoor Models	Ambient side					
Outdoor Models	Enclosure side					
Factory Thermostat Setting (F/C)	80/27					
SOUND LEVEL						
At 1.5 Meters	68 dB(A)					
UNIT CONSTRUCTION						
Material	Galvanized sheet metal standard Stainless steel optional					
Finish	RAL 7035 light-gray, semi-textured powder-coat paint standard Other colors available					
ACCESSORIES						
EASYSWAP Adaptor Plenum (GENESIS M52)	Enables SPECTRACOOOL to be mounted to a GENESIS M52 air conditioner cutout Catalog Number PLM52G52					
UNIT DIMENSIONS						
Height (in./mm)	52.69/1338					
Width (in./mm)	17.12/435					
Depth (in./mm)	11.66/296					
Weight (lb./kg)	128/58.1	128/58.1	138/62.6	131/59.4	131/59.4	141/64.0

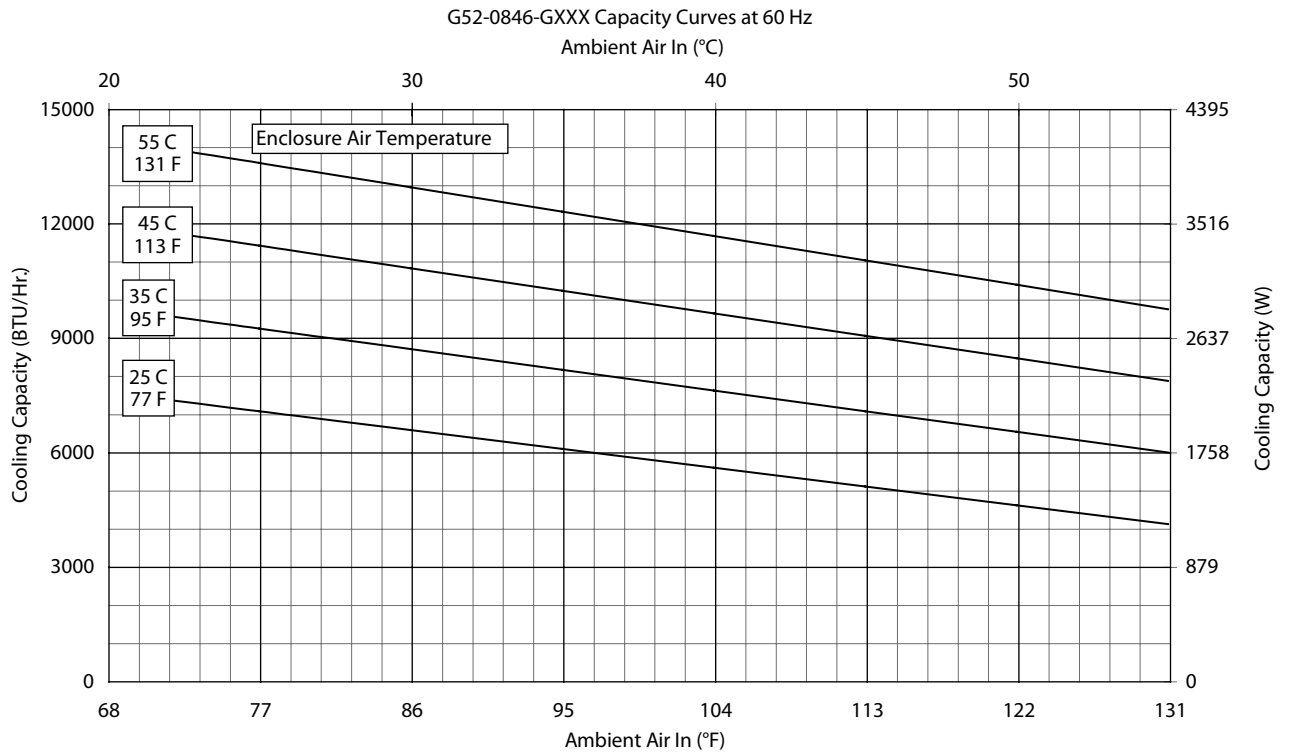
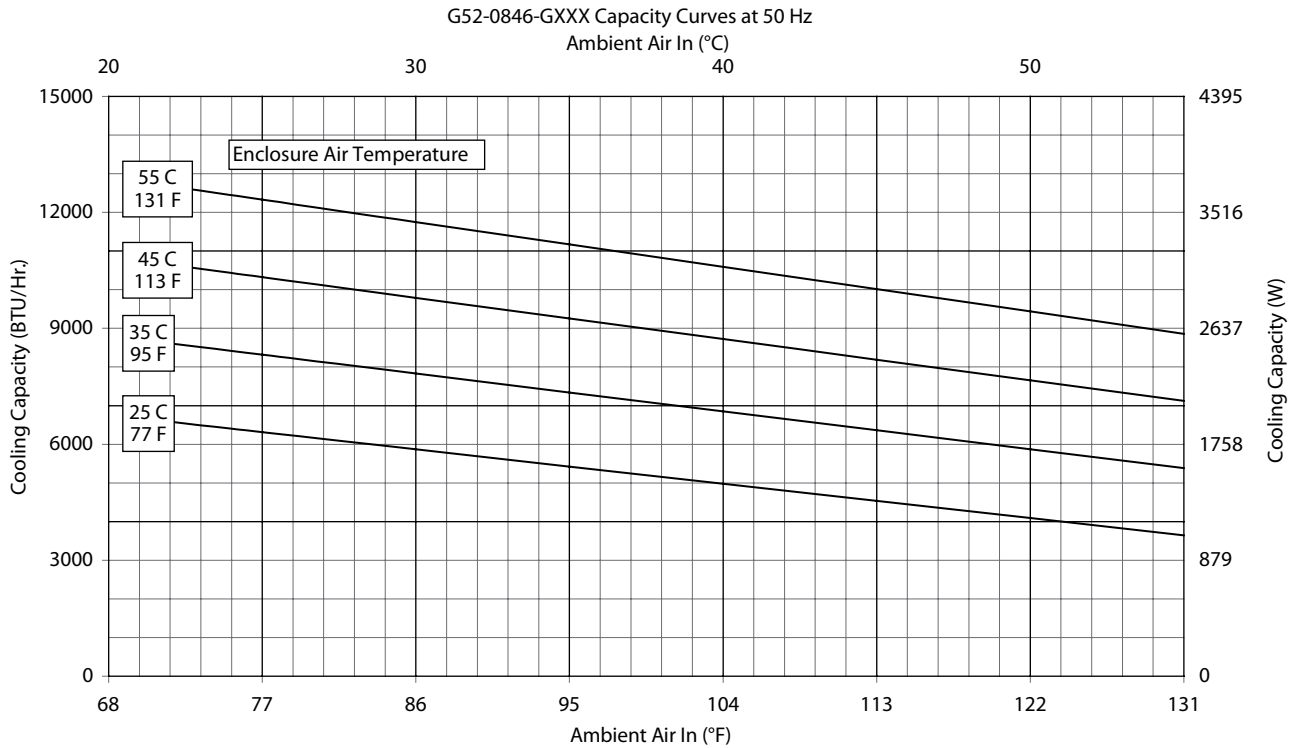
*Units with Remote Access Control utilize a digital controller and communicate via EtherNet/IP, Profinet, Modbus TCP/IP and SNMP over ethernet or modbus RTU over USB.

**Watts based on .65 power factor.

Performance Curves for G52 Models 8000 BTU/Hr. (23 Watt)



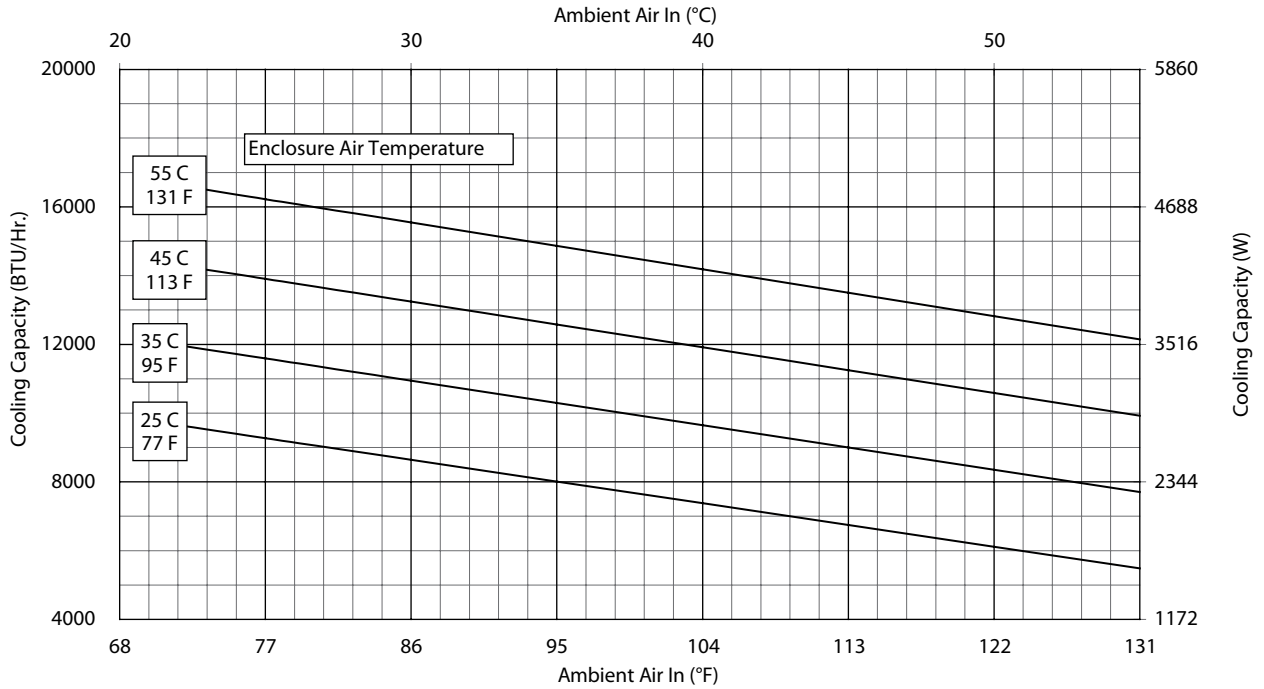
Performance Curves for G52 Models 8000 BTU/Hr. (2300 Watt)



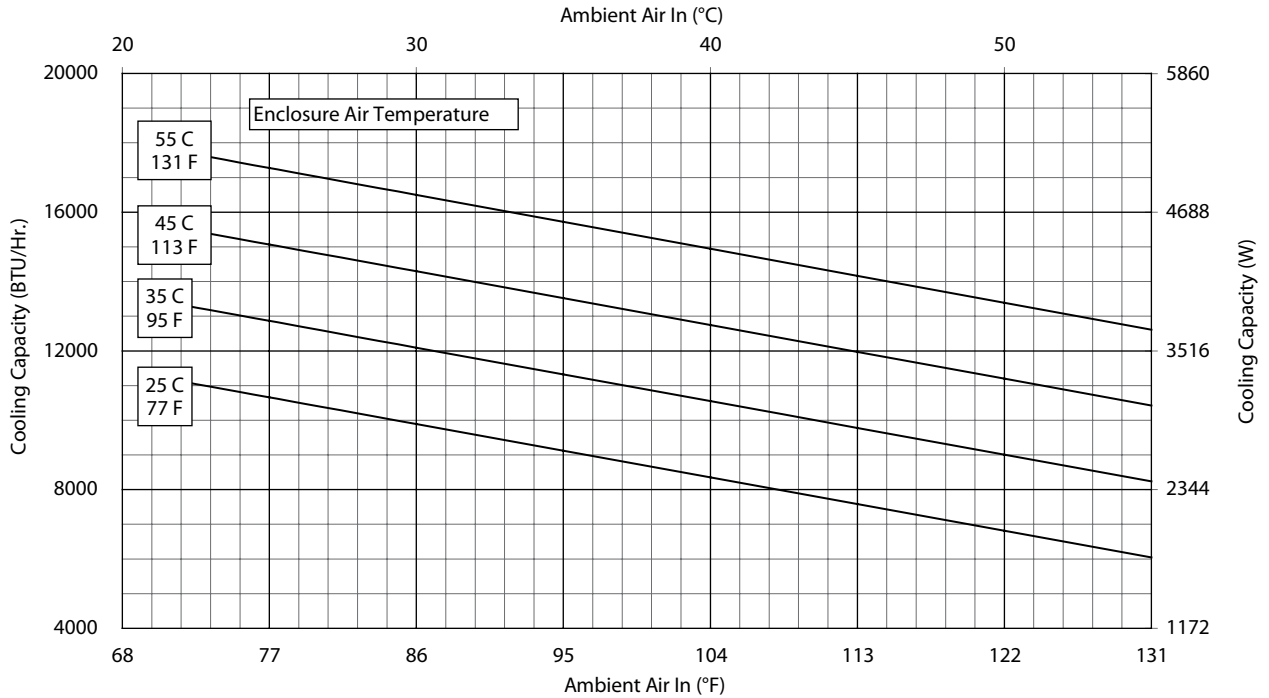
Performance Curves for G52 Models 12000 BTU/Hr. (3500 Watt)



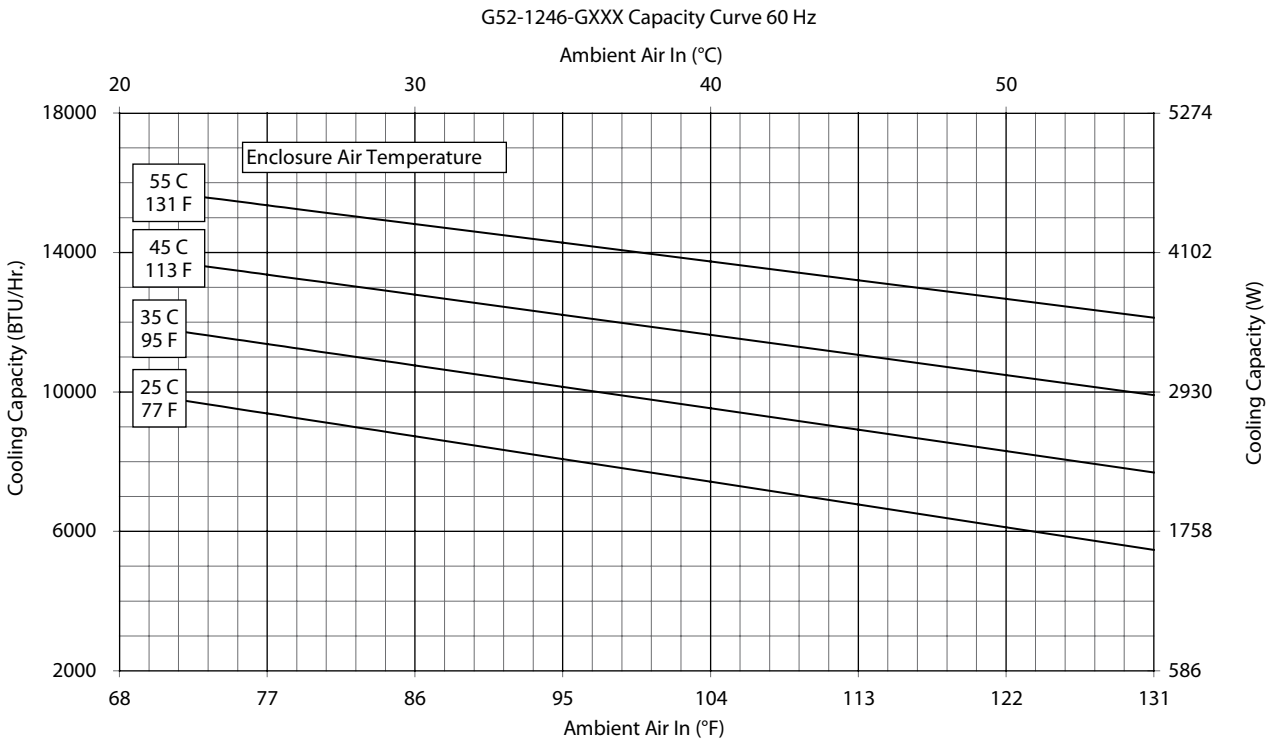
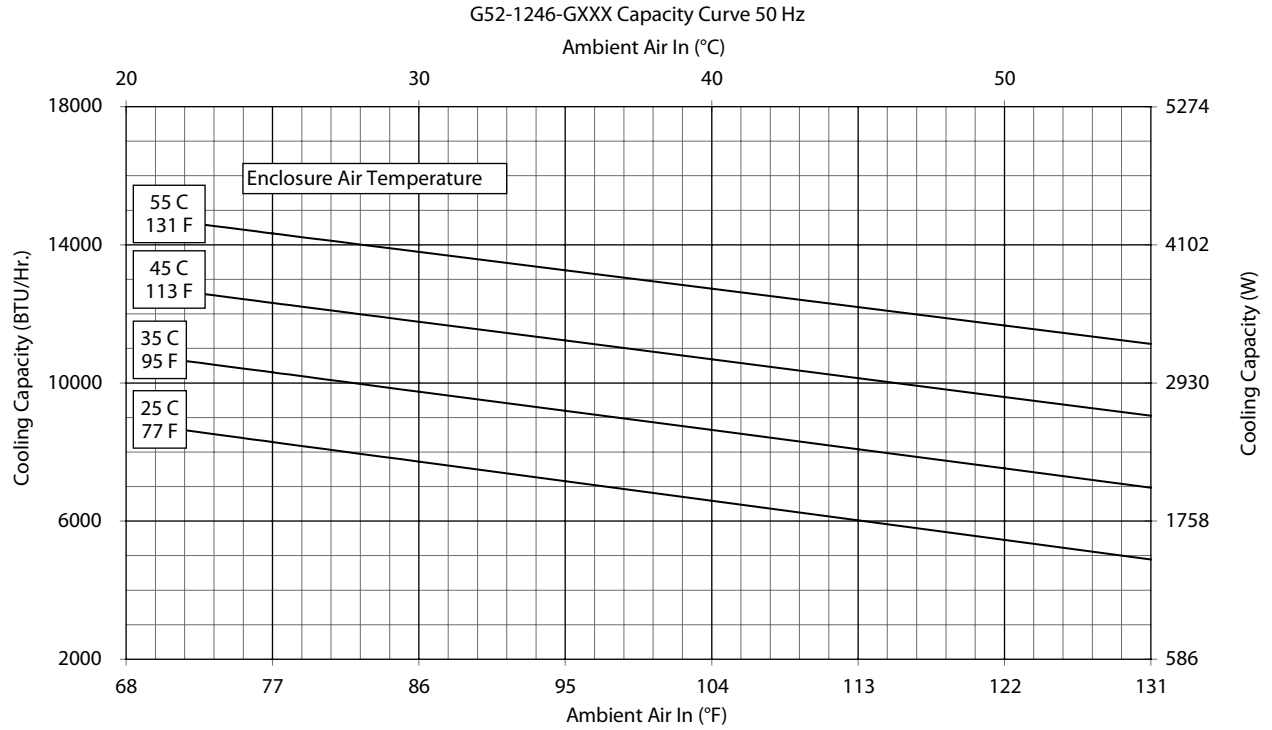
G52-12(1/2)6-GXXX Capacity Curve 50 Hz



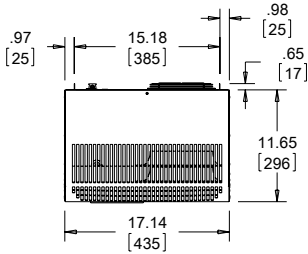
G52-12(1/2)6-GXXX Capacity Curve 60 Hz



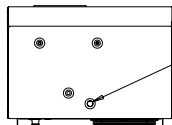
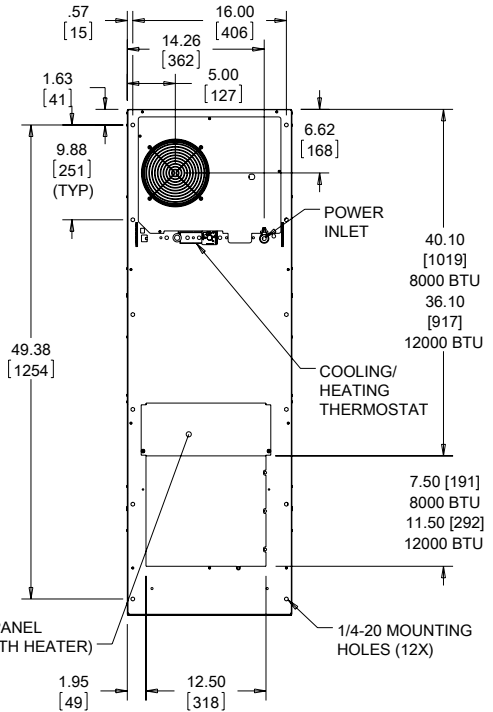
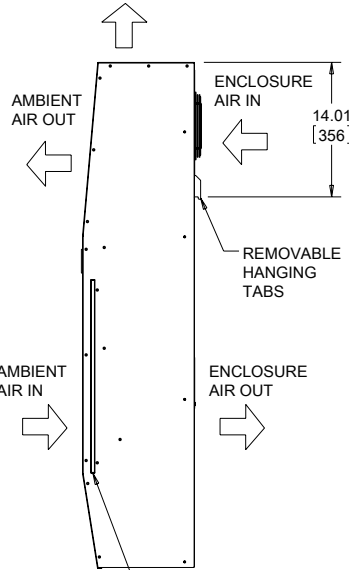
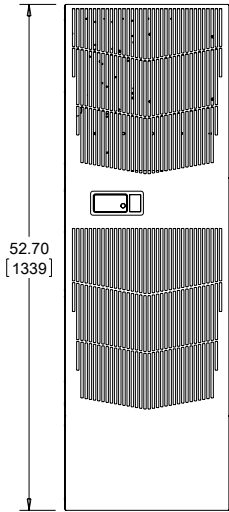
Performance Curves for G52 Models 12000 BTU/Hr. (3516 Watt)



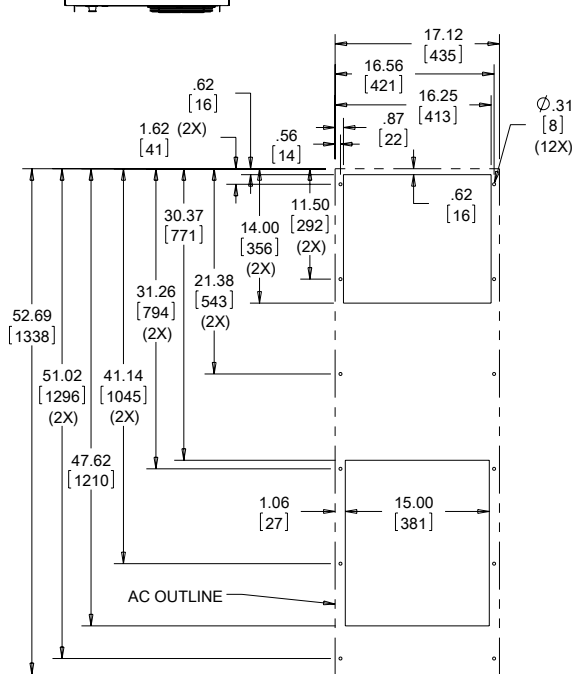
G52 Models 8000/12000 BTU/Hr. (2300/3500 Watt)



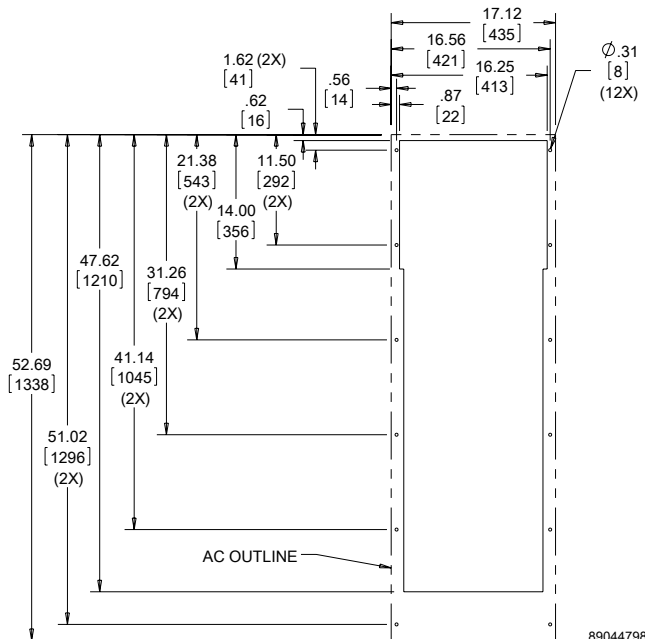
NOTE:
1. MOUNTING GASKET SUPPLIED (NOT SHOWN)
2. UNITS: in. [mm]



CLEANABLE, REUSABLE ALUMINUM INLET FILTER
ACCESS HOLE .38 [9.5] OUTSIDE DIAMETER DRAIN STUB



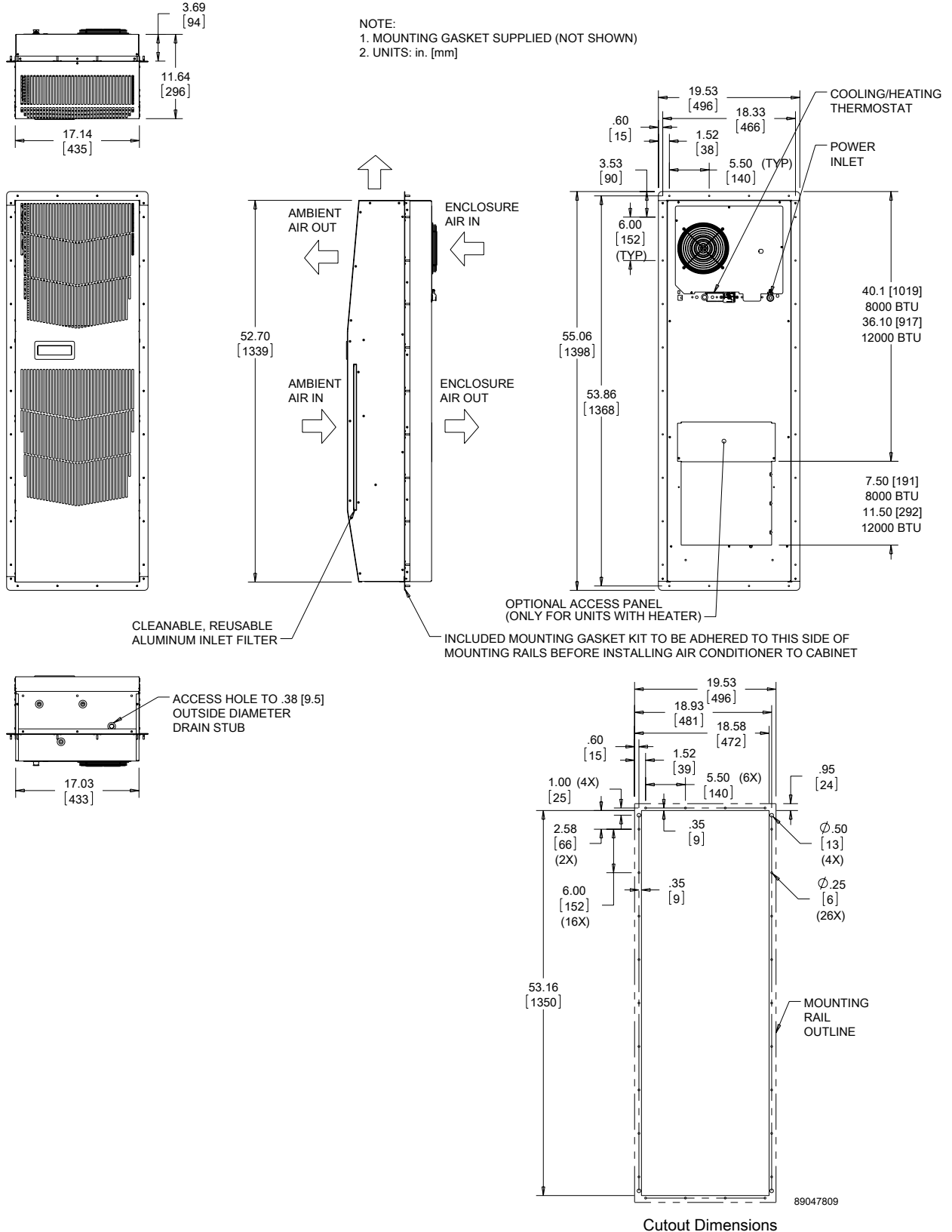
Cutout Dimensions (Standard)



Cutout Dimensions (G520846G150, G520846G151, G521246G150, G521246G151 only)

Visit nVent.com/HOFFMAN to download 2D and 3D CAD drawings into the overall design of your electrical system.

G52 Models 8000/12000 BTU/Hr. (2344/3516 Watt) with Partial Recess



Visit nVent.com/HOFFMAN to download 2D and 3D CAD drawings into the overall design of your electrical system.

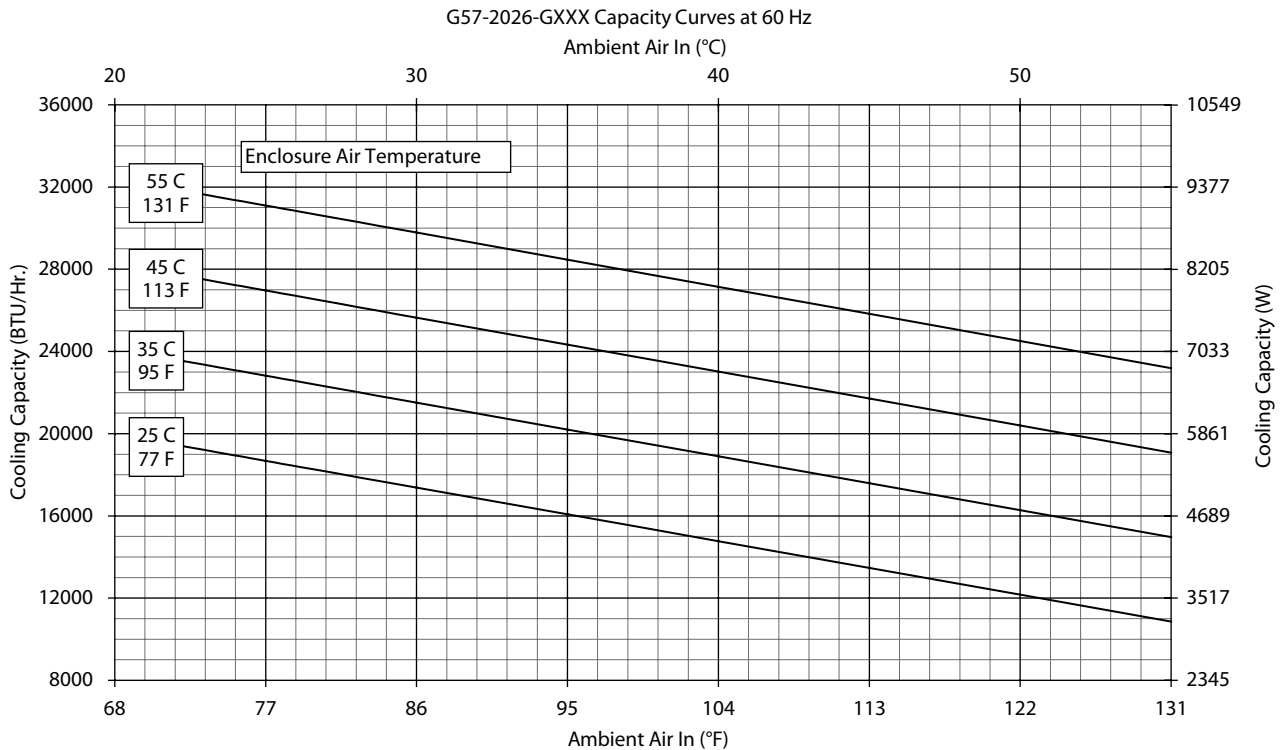
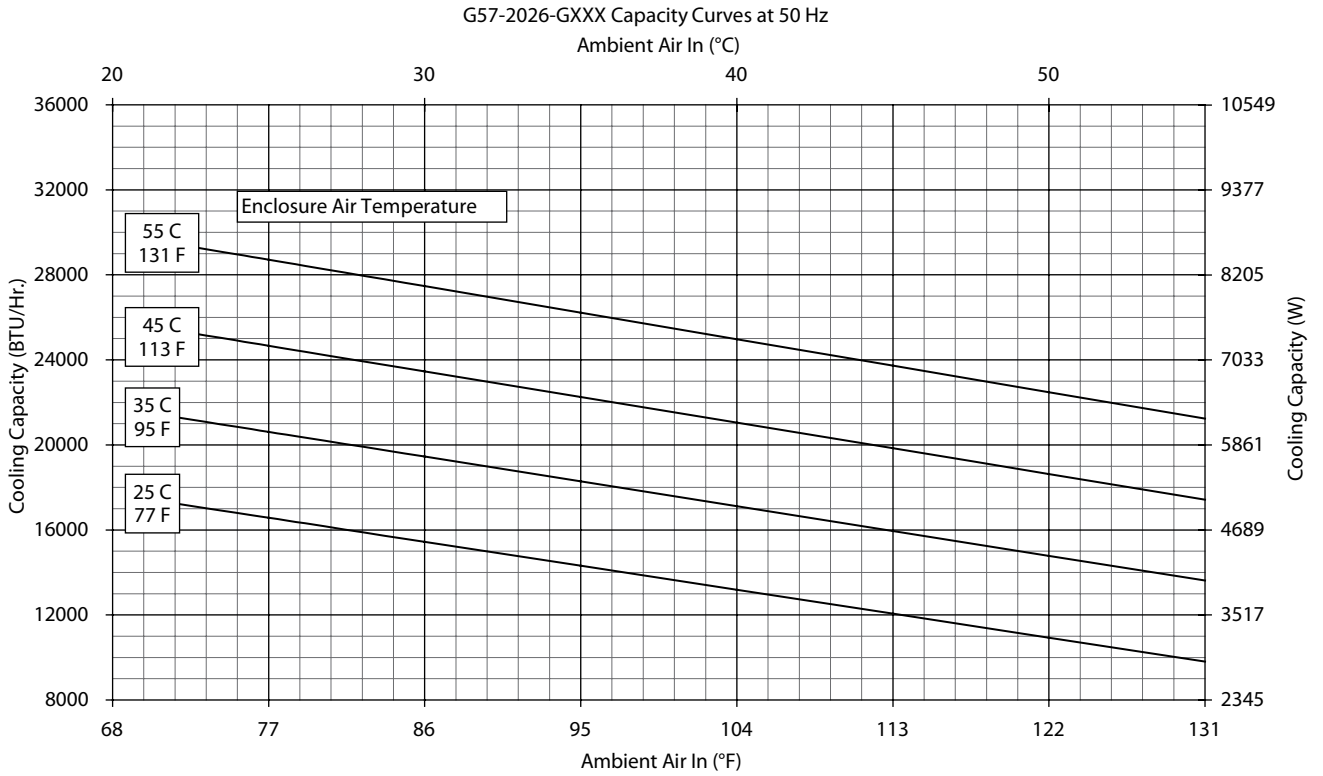
Performance Data G57 Models 20000 BTU/Hr. (5861 Watt)



CATALOG NUMBER		
Indoor Model	G572026G050	G572046G050
Indoor Model Stainless Steel Type 4X	G572026G051	G572046G051
Indoor Model with Remote Access Control*	G572026G060	G572046G060
Outdoor Model without Heat Pkg.	G572026G100	G572046G100
Outdoor Model Partial Recessed Mount	G572026G101	G572046G101
Outdoor Model with Heat Pkg.	G572026G150	G572046G150
Outdoor Model without Heat Pkg. Stainless Steel Type 4X	G572026G102	G572046G102
Outdoor Model with Heat Pkg. Stainless Steel Type 4X	G572026G151	G572046G151
COOLING PERFORMANCE		
Nominal:		
BTU/Hr.	20000	20000
Watts	5861	5861
At 131 F/131 F (55 C/55 C):		
BTU/Hr. (50/60 Hz)	17500/19600	21400/23400
W (50/60 Hz)	5129/5744	6272/6857
At 95 F/95 F (35 C/35 C):		
BTU/Hr. (50/60 Hz)	16000/18000	19300/21400
W (50/60 Hz)	4689/5275	5656/6272
Refrigerant	R407c	R407c
Refrigerant Charge (ounces/grams)	50/1417	48/1361
Operating Temperature Range:		
Maximum (°F/°C)	131/55	131/55
Indoor Minimum (°F/°C)	50/10	50/10
Outdoor Minimum (°F/°C)	-40/-40	-40/-40
Airflow at 0 Static Pressure:		
Internal loop 50 Hz (CFM / m ³ /hr.)	513/872	513/872
External loop 50 Hz (CFM / m ³ /hr.)	919/1562	919/1562
Internal loop 60 Hz (CFM / m ³ /hr.)	587/998	587/998
External loop 60 Hz (CFM / m ³ /hr.)	1055/1794	1055/1794
Max. Heater W (Outdoor Models)	3000	3000
ELECTRICAL DATA		
Rated Voltage	230/230	400/460 3~
Frequency (Hz)	50/60	50/60
Operating Range	+/- 10%	+/- 10%
Max. Power Consumption (W at 50/60 Hz)	4508/5106	2400/3128
Max. Nominal Current (A at 50/60 Hz)	19.6/22.2	6.0/6.8
Starting Current (A)	63	27
Agency Approvals	UL/cUL Listed CE EAC Others available upon request	
Power Input Description	Terminal Block	
ENCLOSURE PROTECTION		
UL Type	Type 12, 3R, 4 standard Type 4X stainless steel optional	
International Rating	IP56 internal loop IP34 external loop	
CONTROLLER		
Description	Basic mechanical thermostat with digital display	
Thermostat Location	Enclosure side on all base models	
Digital Display Location:		
Indoor Models	Ambient side	
Outdoor Models	Enclosure side	
Factory Thermostat Setting (°F/°C)	80/27	
SOUND LEVEL		
At 1.5 Meters	74.1 dB(A)	
UNIT CONSTRUCTION		
Material	Galvanized sheet metal standard Stainless steel optional	
Finish	RAL 7035 light-gray, semi-textured powder-coat paint standard	
ACCESSORIES		
EASYSWAP Adaptor Plenum (T-Series T53)	Enables SPECTRACOOOL to be mounted to a T-Series T53 air conditioner cutout part #57721601SP	
UNIT DIMENSIONS		
Height (in./mm)	57.69/1465.4	
Width (in./mm)	20.87/530.1	
Depth (in./mm)	15.28/388.1	
Weight (lb./kg)	197/89	

*Units with Remote Access Control utilize a digital controller and communicate via EtherNet/IP, Profinet, Modbus TCP/IP and SNMP over ethernet or modbus RTU over USB.

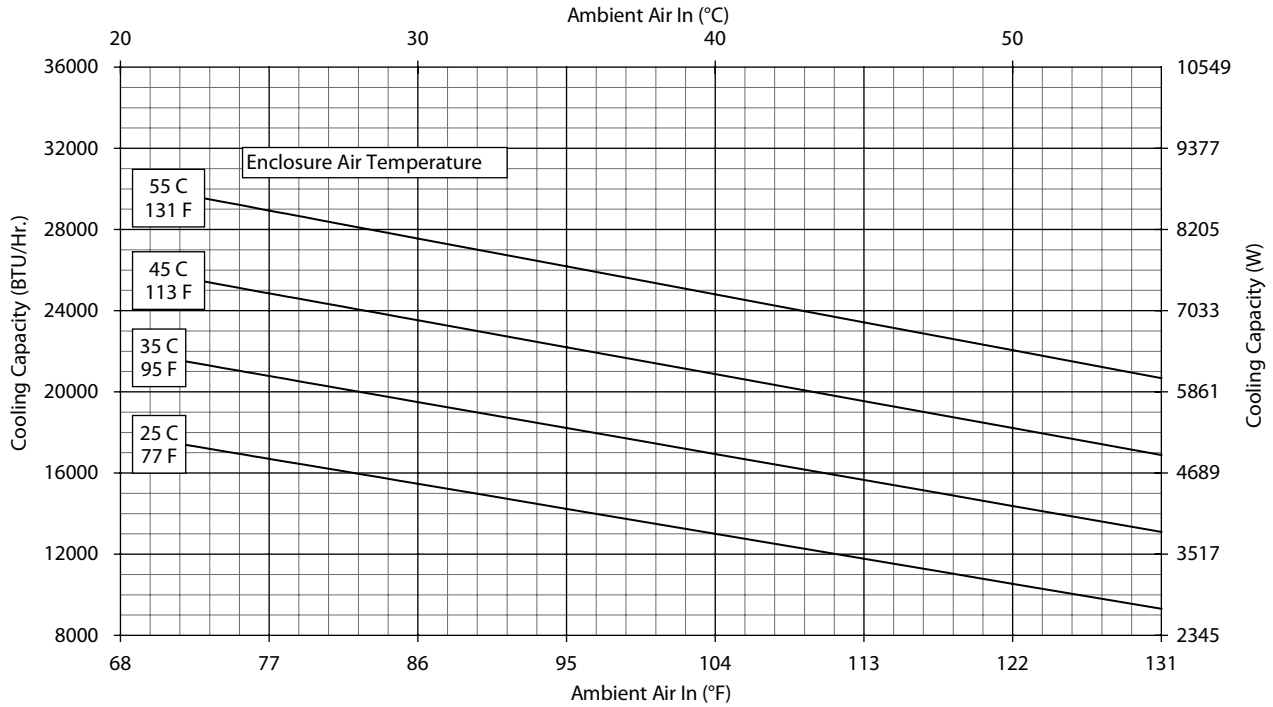
Performance Curves for G57 Models 20000 BTU/Hr.



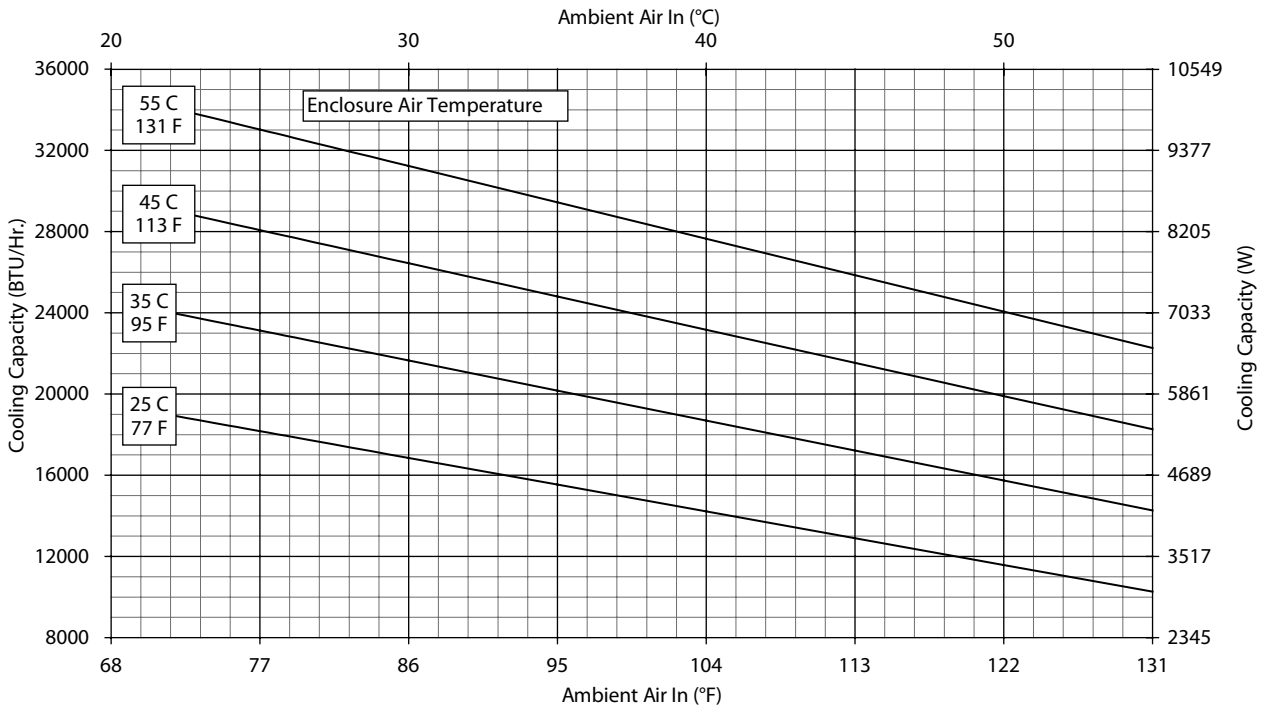
Performance Curves for G57 Models 20000 BTU/Hr.



G57-2046-GXXX Capacity Curves at 50 Hz

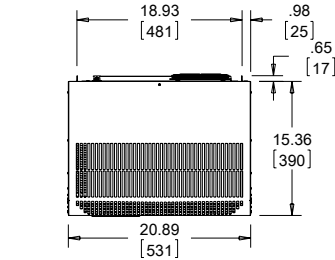


G57-2046-GXXX Capacity Curves at 60 Hz

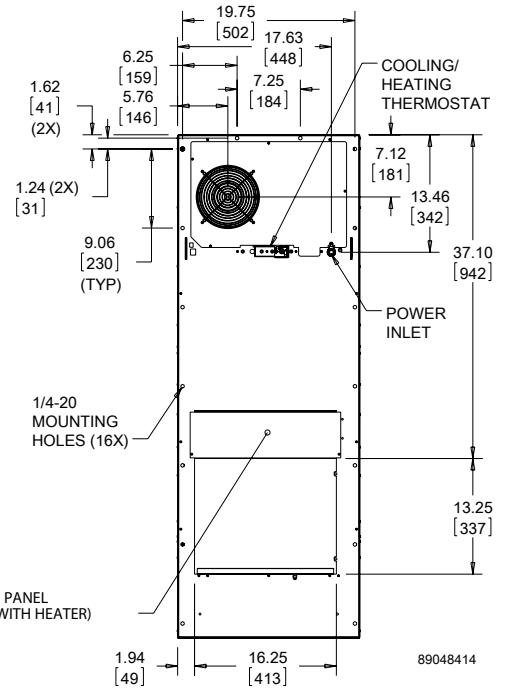
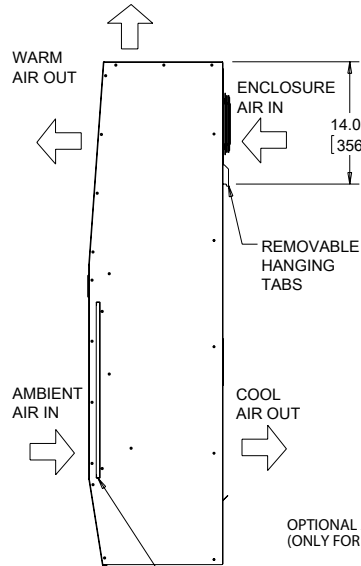
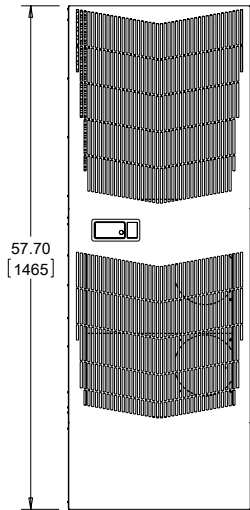




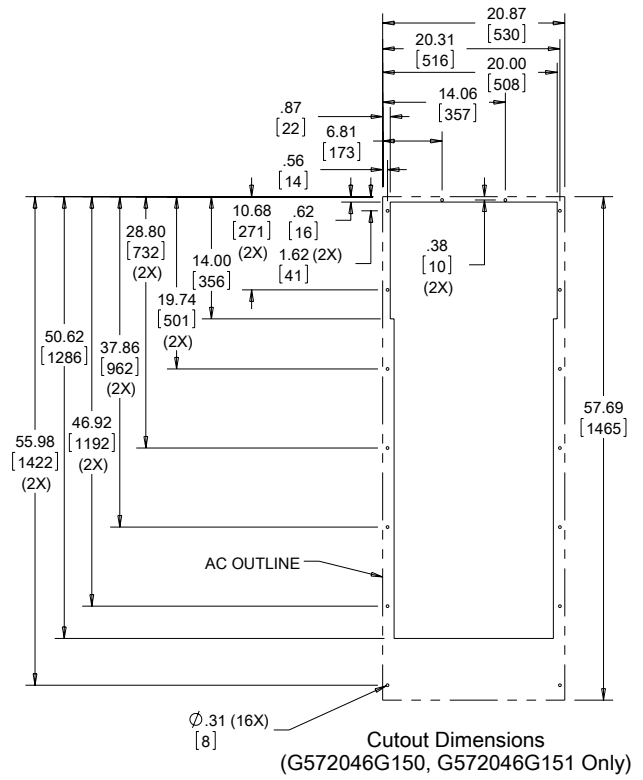
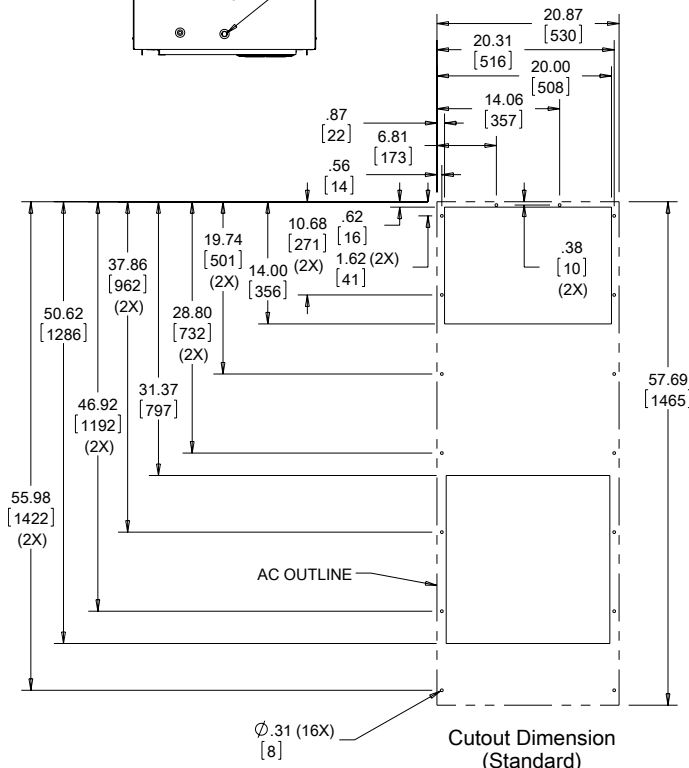
G57 Models 20000 BTU/Hr. (5861 Watt)



NOTE:
1. MOUNTING GASKET SUPPLIED (NOT SHOWN)
2. UNITS: in. [mm]

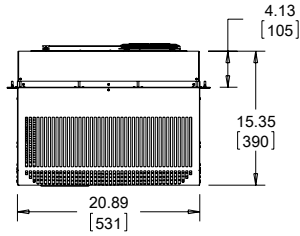


ACCESS HOLE TO .38 [9.5] OUTSIDE DIAMETER DRAIN STUB
CLEANABLE, REUSABLE, ALUMINUM INLET FILTER

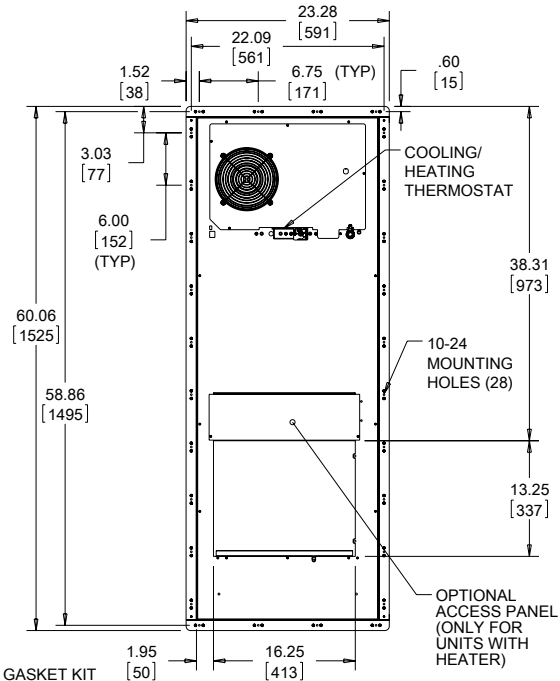
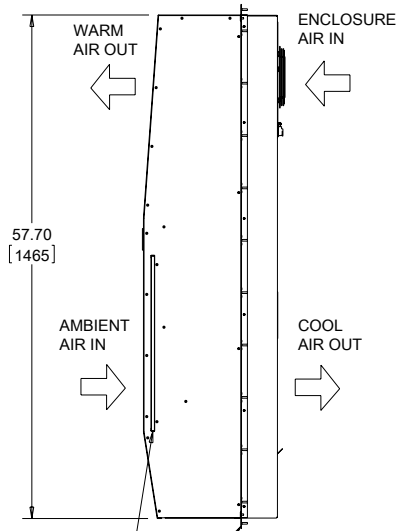
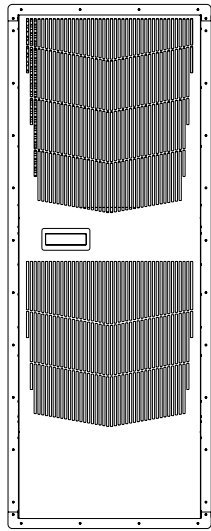


Visit nVent.com/HOFFMAN to download 2D and 3D CAD drawings into the overall design of your electrical system.

G57 Models 20000 BTU/Hr. (5861 Watt) With Partial Recess

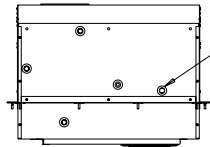


NOTE:
1. MOUNTING GASKET SUPPLIED (NOT SHOWN)
2. UNITS: in. [mm]

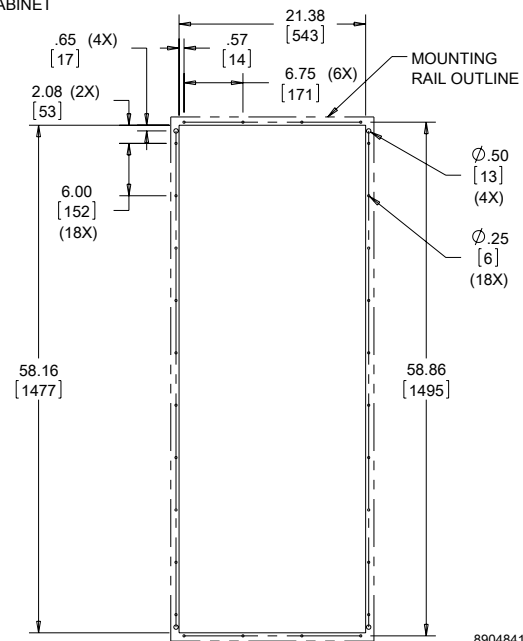


CLEANABLE, REUSABLE, ALUMINUM INLET FILTER

INCLUDED MOUNTING GASKET KIT TO BE ADHERED TO THIS SIDE OF MOUNTING RAILS BEFORE INSTALLING AIR CONDITIONER TO CABINET



ACCESS HOLE TO .38 [9.5] OUTSIDE DIAMETER DRAIN STUB



Cutout Dimensions

89048415

Visit nVent.com/HOFFMAN to download 2D and 3D CAD drawings into the overall design of your electrical system.

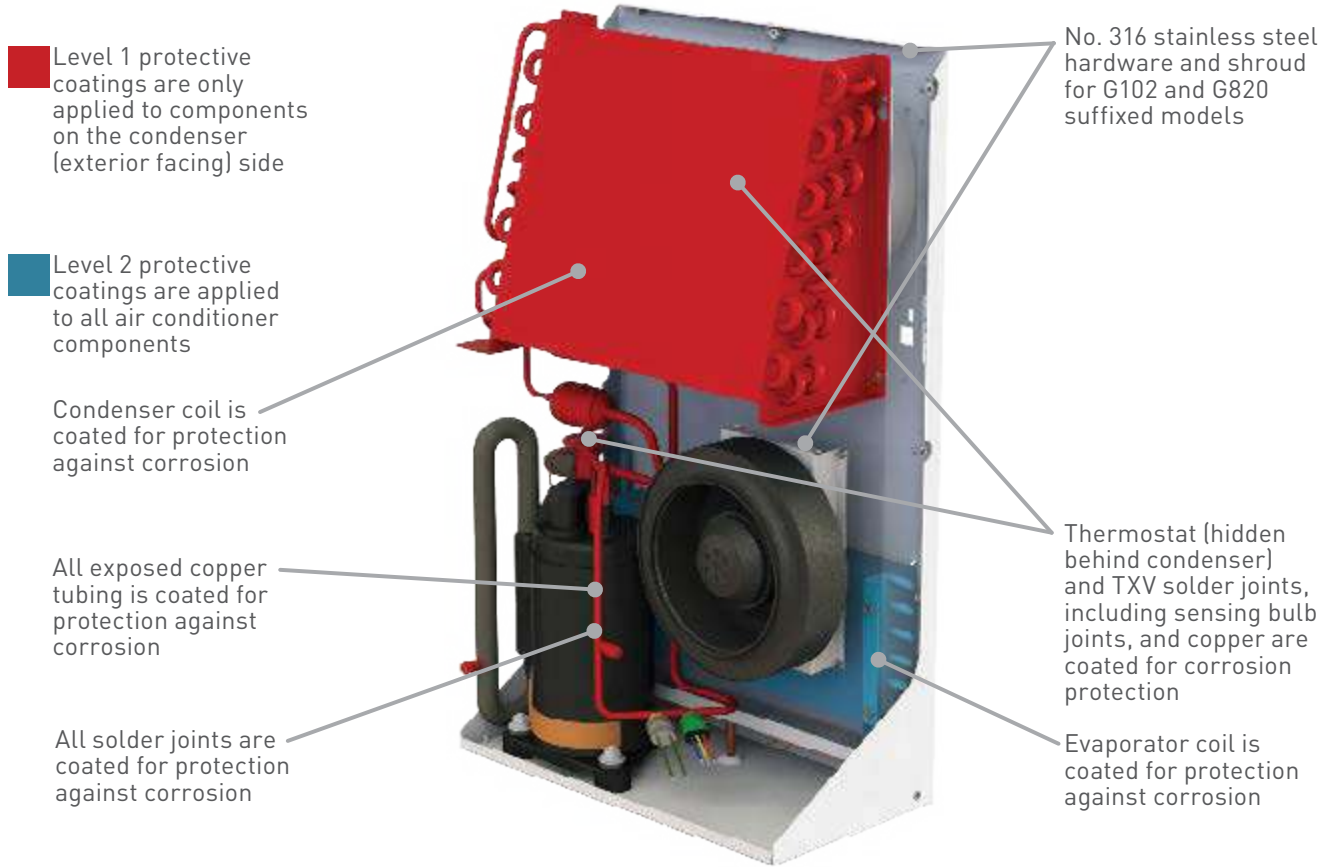
Notes



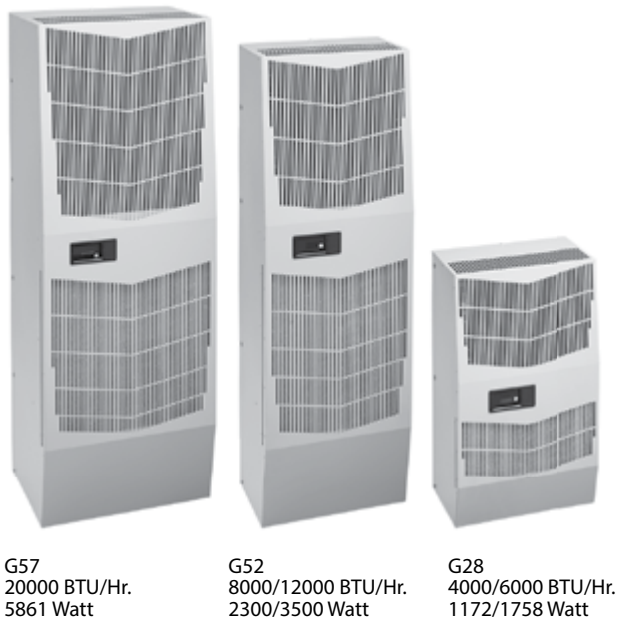
SPECTRACOOL WITH ADVANCED CORROSION PROTECTION OVERVIEW



SPECTRACOOL Corrosion Protection Solutions provide the industry leading corrosion protection to components critical to the performance of the air conditioner. For applications where air conditioners are exposed to harsh, corrosive, chemical elements. Hoffman utilizes advanced coatings to protect the critical components, extending their life and optimizing the extended performance level of the product.



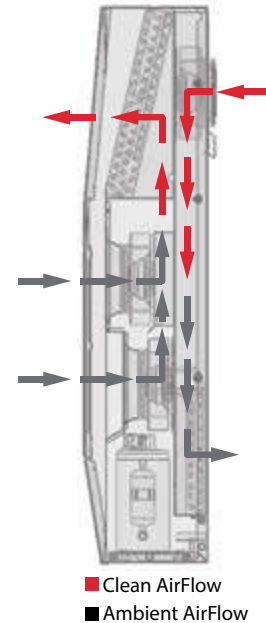
SPECTRACOOL WITH ADVANCED CORROSION PROTECTION



G57
20000 BTU/Hr.
5861 Watt

G52
8000/12000 BTU/Hr.
2300/3500 Watt

G28
4000/6000 BTU/Hr.
1172/1758 Watt



■ Clean AirFlow
■ Ambient AirFlow



INDUSTRY STANDARDS

UL/cUL Listed; Type 12, 3R, 4; 4X optional; File No. SA6453

CE
EAC
IP 56 Internal Loop
IP 34 on External Loop
Telcordia GR-487 capable (Outdoor)

APPLICATION

- Industrial automation
- Telecommunications equipment
- Waste water treatment systems
- Package handling equipment
- Security and defense systems
- Oil and gas
- Water treatment facilities
- Chemical manufacturing

FEATURES

- Two levels of corrosion protection:
 - Level 1 - Protective coatings only applied to components on the condenser (exterior facing) side
 - Level 2 - Protective coatings applied to all air conditioner components
- Energy-efficient rotary compressor on most models
- R407c and R134a earth-friendly refrigerants
- 115, 230 and 400/460 VAC 3-phase power input on most models
- UL Listed to save customers time and money with agency approvals
- Operating temperature range from -40 F/-40 C to 131 F/55 C
- Exterior and partially recessed mounting options
- Attractive industrial design with minimal use of visible fasteners
- Dual condenser-side air movers for performance redundancy on G52 and G57 models
- Galvanized sheet-metal cover for rugged factory and outdoor environments
- Easy-mount flanges for simple installation
- Cut-out adapter options for enclosures with GENESIS and T-Series air conditioners, enable users to easily transition to the new unit

- Dust-resistant condenser coil allows the unit to be run filterless in most applications
- Cleanable, reusable aluminum mesh filter protects coils for maximum cooling performance
- Mounting hardware, gaskets and user manual furnished with the unit
- Every unit functionally tested before shipping
- Standard Air Conditioner models also include:
 - Active condensate management with heater strip
 - Power-off relay for door switch and other system requirements
 - Telcordia GR-487 capable
 - Corrosion-resistant components
 - Malfunction switch
 - Compressor heater
 - Head pressure control
 - Up to 2000 Watt (G28, G52) and 3000 Watt (G57) enclosure heater

SPECIFICATIONS

- Nominal cooling capacity:
 - G28 4000 & 6000 BTU/Hr. (1172 and 1758 W)
 - G52 8000 & 12000 BTU/Hr. (2344 and 3516 W)
 - G57 20000 BTU/Hr. (5861 W)
- Operating temperature range from -40 F/-40 C to 131 F/55 C

FINISH

- RAL 7035 light-gray, semi-textured powder-coat paint
- No. 4 brushed 316 stainless steel
- Other colors and textures available

NOTES

Visit <http://hoffman.nvent.com/en/hoffman/SPECTRACOOL-Remote-Access-Control-472042> for more information regarding SPECTRACOOL Remote Access Control (RAC).

Visit <https://hoffman.nvent.com/en/hoffman/thermal-management> to download 2D and 3D CAD drawings into the overall design of your electrical system.



Performance Data G28 Models 4000/6000 BTU/Hr. (1172/1758 Watt)

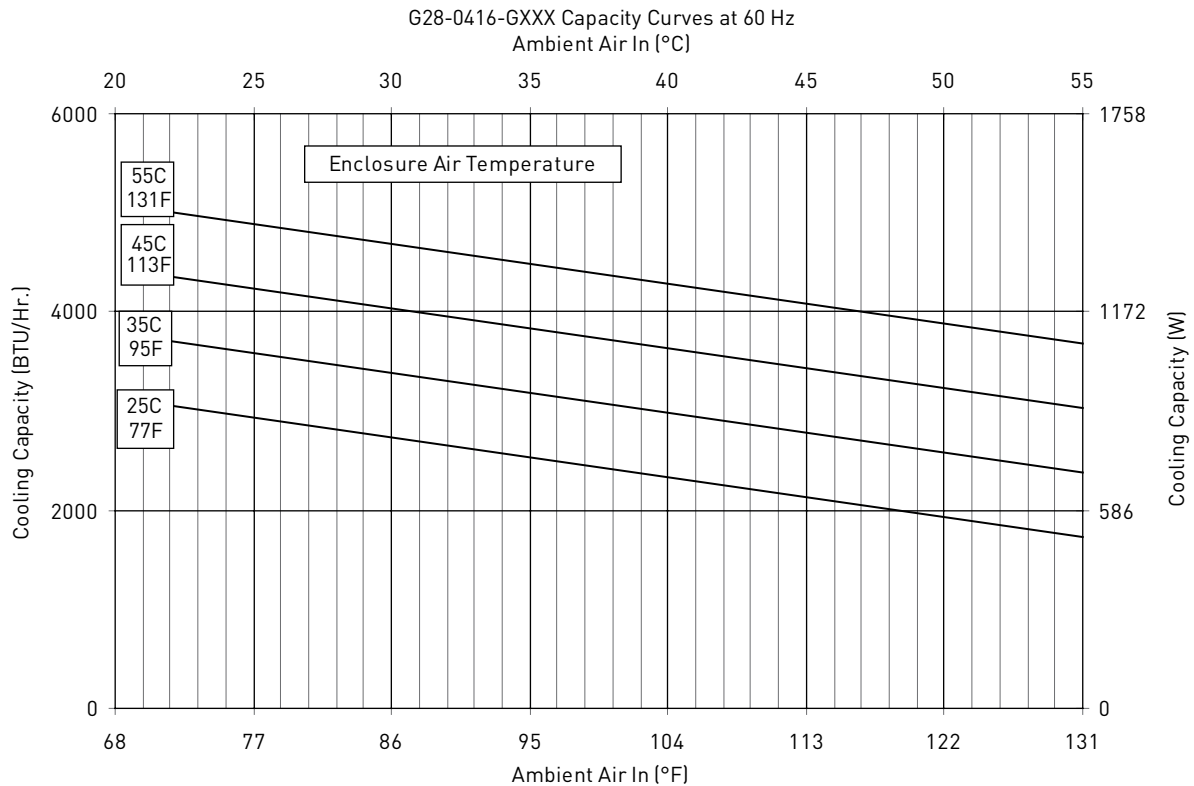
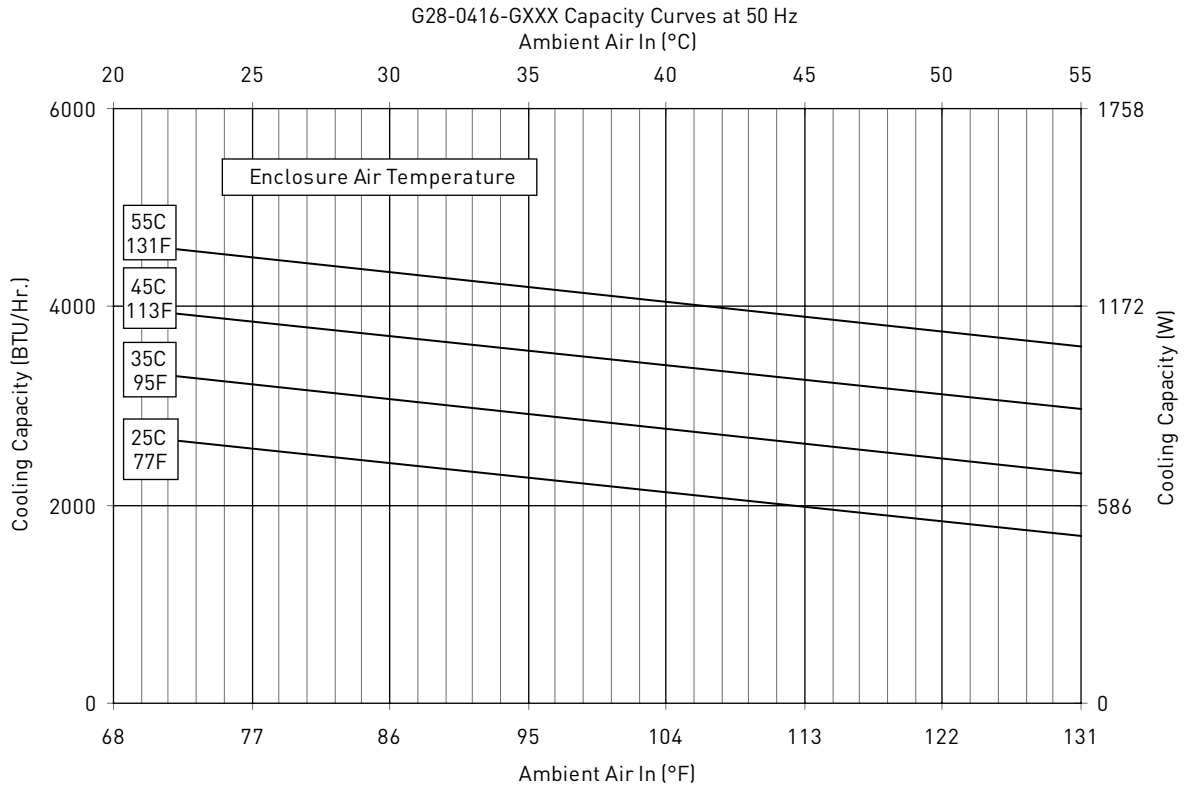


CATALOG NUMBER						
Level 1 Painted Galvanized - G700	G280416G700	G280426G700	G280446G700	G280616G700	G280626G700	G280646G700
Level 1 Stainless Steel 316 - G102	G280416G102	G280426G102	G280446G102	G280616G102	G280626G102	G280646G102
Level 2 Painted Galvanized - G800	G280416G800	G280426G800	G280446G800	G280616G800	G280626G800	G280646G800
Level 2 Painted with Remote Access Control - G360*	G280416G360	G280426G360	G280446G360	G280616G360	G280626G360	G280646G360
Level 2 Stainless Steel 316 - G802	G280416G802	G280426G802	G280446G802	G280616G802	G280626G802	G280646G802
COOLING PERFORMANCE						
Nominal:**						
BTU/Hr.	4000	4000	4000	6000	6000	6000
Watts	1172	1172	1172	1757	1757	1757
At 131 F/131 F (55 C/55 C):						
BTU/Hr. (50/60 Hz)	NA/3700	4600/4900	4600/4900	6000/6400	6000/6400	5400/6000
W (50/60 Hz)	NA/1084	1347/1435	1347/1435	1757/1874	1757/1874	1581/1757
At 95 F/95 F (35 C/35 C):						
BTU/Hr. (50/60 Hz)	3300/3410	4300/4600	4324/4655	5600/6000	5600/6000	5054/5685
W (50/60 Hz)	967/1000	1260/1364	1267/1364	1641/1758	1641/1758	1481/1666
Refrigerant	R134A	R407C	R134A	R407C	R407C	R134A
Refrigerant Charge (ounces/grams)	12/340	20/567	16/454	20/567	20/567	16/454
Operating Temperature Range:						
Maximum (°F/°C)	131 F/55 C	131 F/55 C	131 F/55 C	131 F/55 C	131 F/55 C	131 F/55 C
Minimum (°F/°C)	-40 F/-40 C	-40 F/-40 C	-40 F/-40 C	-40 F/-40 C	-40 F/-40 C	-40 F/-40 C
Air Flow at 0 Static Pressure:						
Internal loop 50 Hz (CFM / m ³ /hr.)	151/256	189/321	189/321	189/321	189/321	189/321
External loop 50 Hz (CFM / m ³ /hr.)	284/482	291/494	291/494	291/494	291/494	291/494
Internal loop 60 Hz (CFM / m ³ /hr.)	183/310	221/375	221/375	221/375	221/375	221/375
External loop 60 Hz (CFM / m ³ /hr.)	290/492	300/509	300/509	300/509	300/509	300/509
Max. Heater W (Outdoor Models)	2000	2000	NA	2000	2000	NA
ELECTRICAL DATA						
Rated Voltage	115	230	400/460 3~	115	230	400/460 3~
Frequency (Hz)	50/60	50/60	50/60	50/60	50/60	50/60
Operating Range	+/- 10%	+/- 10%	+/- 10%	+/- 10%	+/- 10%	+/- 10%
Max. Power Consumption (W at 50/60 Hz)	465/1055	1058/1334	680/874	1138.5/1311	1058/1334	680/874
Max. Nominal Current (A at 50/60 Hz)	10.6/10.3	4.7/5.9	1.7/1.9	10.1/11.6	4.7/5.9	1.7/1.9
Starting Current (A)	36.2	17.7	7.7	36.2	17.7	7.7
Agency Approvals	UL/cUL Listed CE EAC					
Power Input Description	Terminal Block					
ENCLOSURE PROTECTION						
UL Type	Type 12, 3R, 4 Standard Type 4X Stainless Steel Optional					
CONTROLLER						
Description	Basic Mechanical Thermostat					
Thermostat Location	Enclosure Side on All Base Models					
Factory Thermostat Setting (°F/°C)	80/27	80/27	80/27	80/27	80/27	80/27
SOUND LEVEL						
At 1.5 Meters	68 dB(A)					
ACCESSORIES						
EASYSWAP Adaptor Plenum (GENESIS M28)	Enables SPECTRACOOOL to be mounted to GENESIS M28 air conditioner cutout Catalog Number PLM28G28					
EASYSWAP Adaptor Plenum (T-Series T29)	Enables SPECTRACOOOL to be mounted to T-Series T29 air conditioner cutout Catalog Number PLT29G28					
UNIT DIMENSIONS						
Height (in./mm)	28.59/726					
Width (in./mm)	17.01/432					
Depth (in./mm)	11.18/284					
Weight (lb./kg)	84/38					

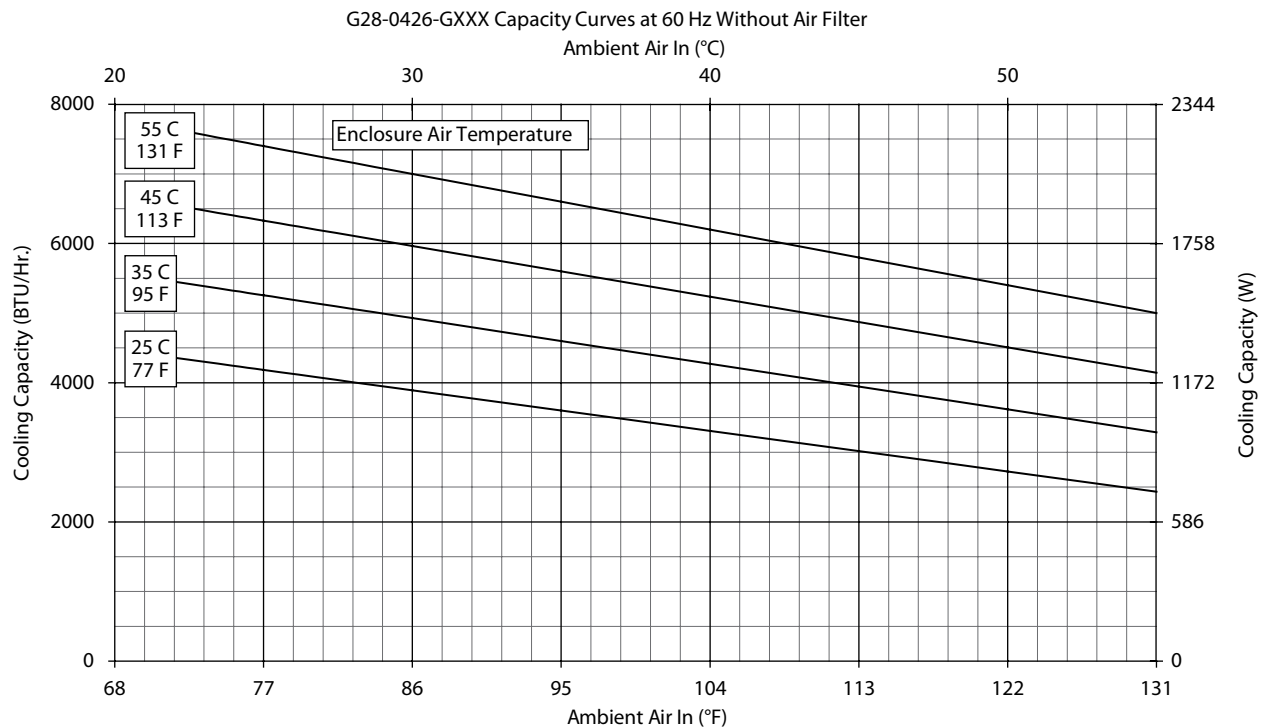
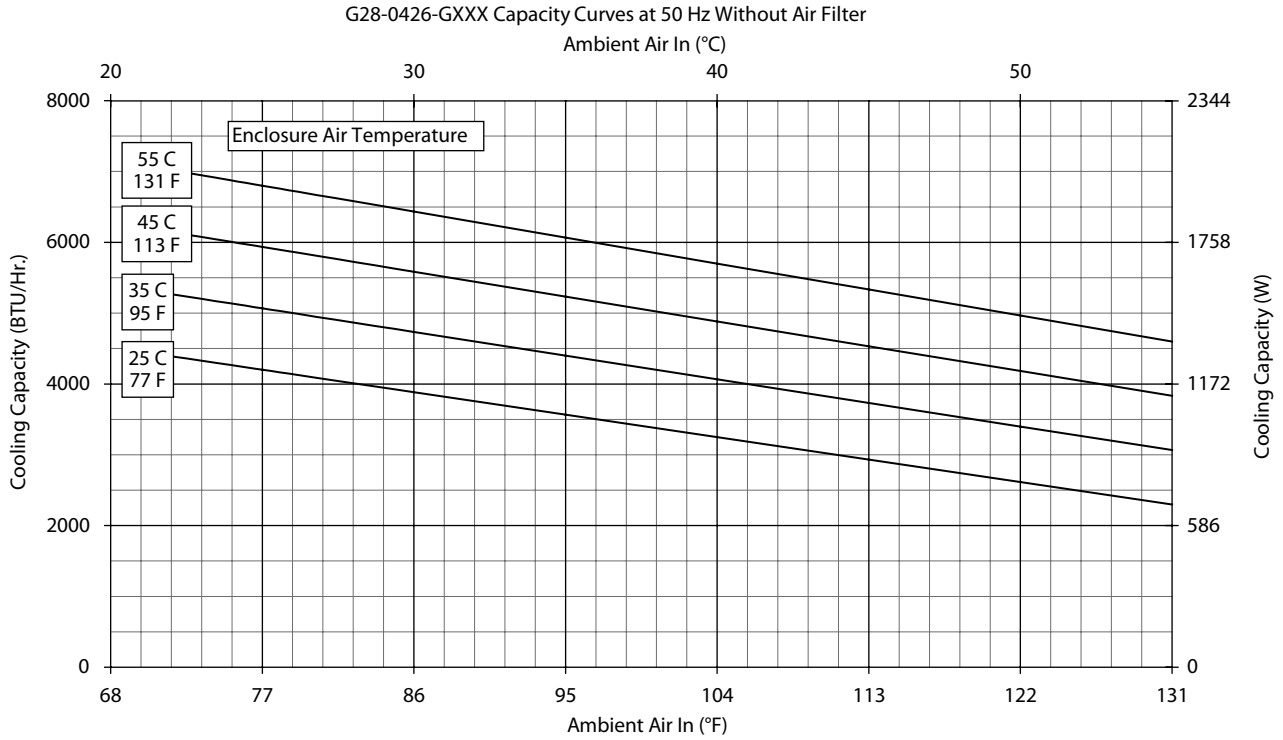
*Units with Remote Access Control utilize a digital controller and communicate via EtherNet/IP, Profinet, Modbus TCP/IP and SNMP over ethernet or modbus RTU over USB.

**Performance values are nominal. For actual values, see performance curves.

Performance Curves for G28 Models 4000 BTU/Hr. (1347/1435 Watt)



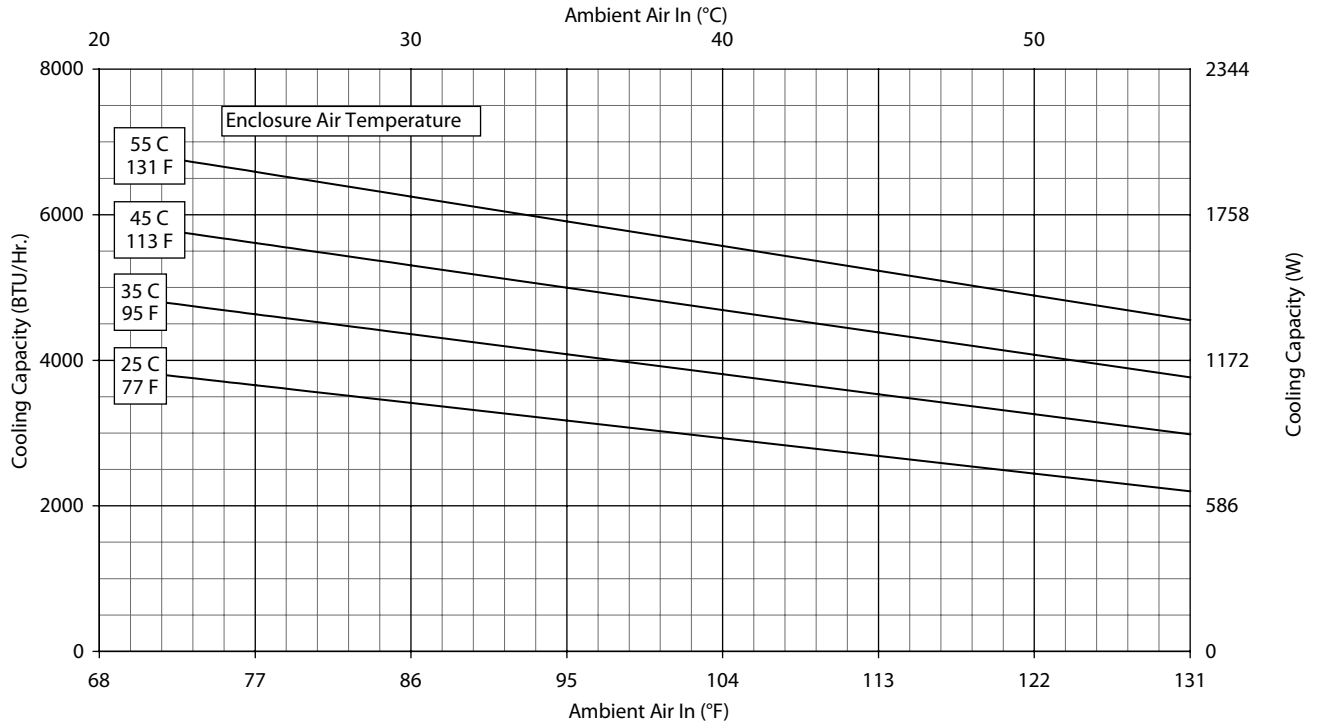
Performance Curves for G28 Models 4000 BTU/Hr. (1347/1435 Watt)



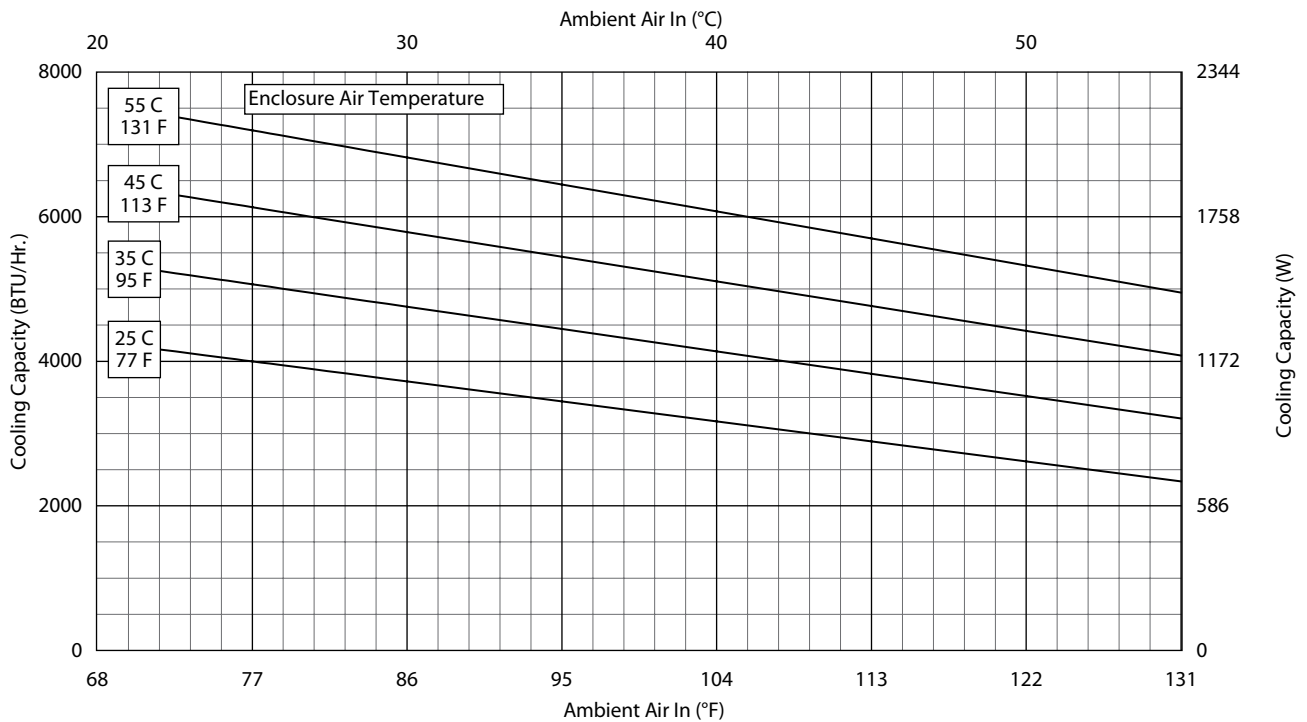
Performance Curves for G28 Models 4000 BTU/Hr. (1347/1435 Watt)



G28-0446-GXXX- Capacity Curves at 50 Hz; Without Filter



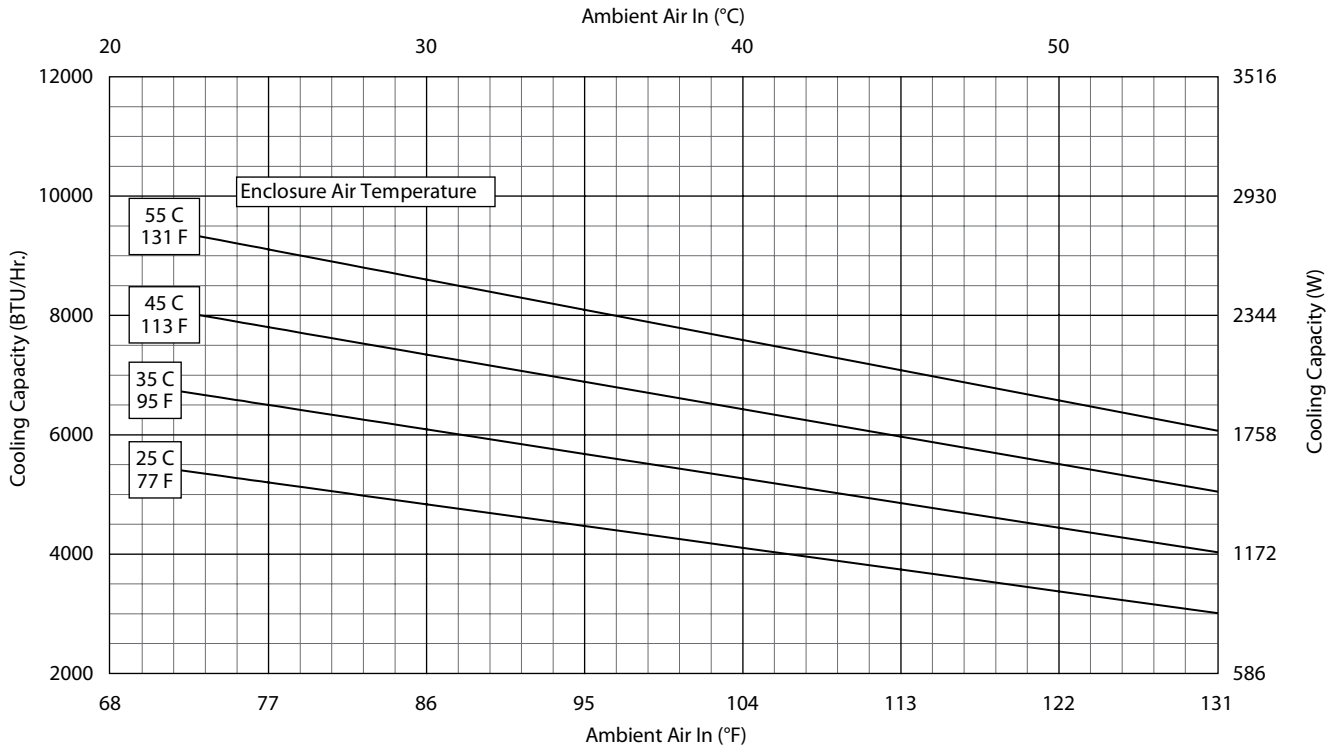
G28-0446-GXXX- Capacity Curves at 60 Hz; Without Filter



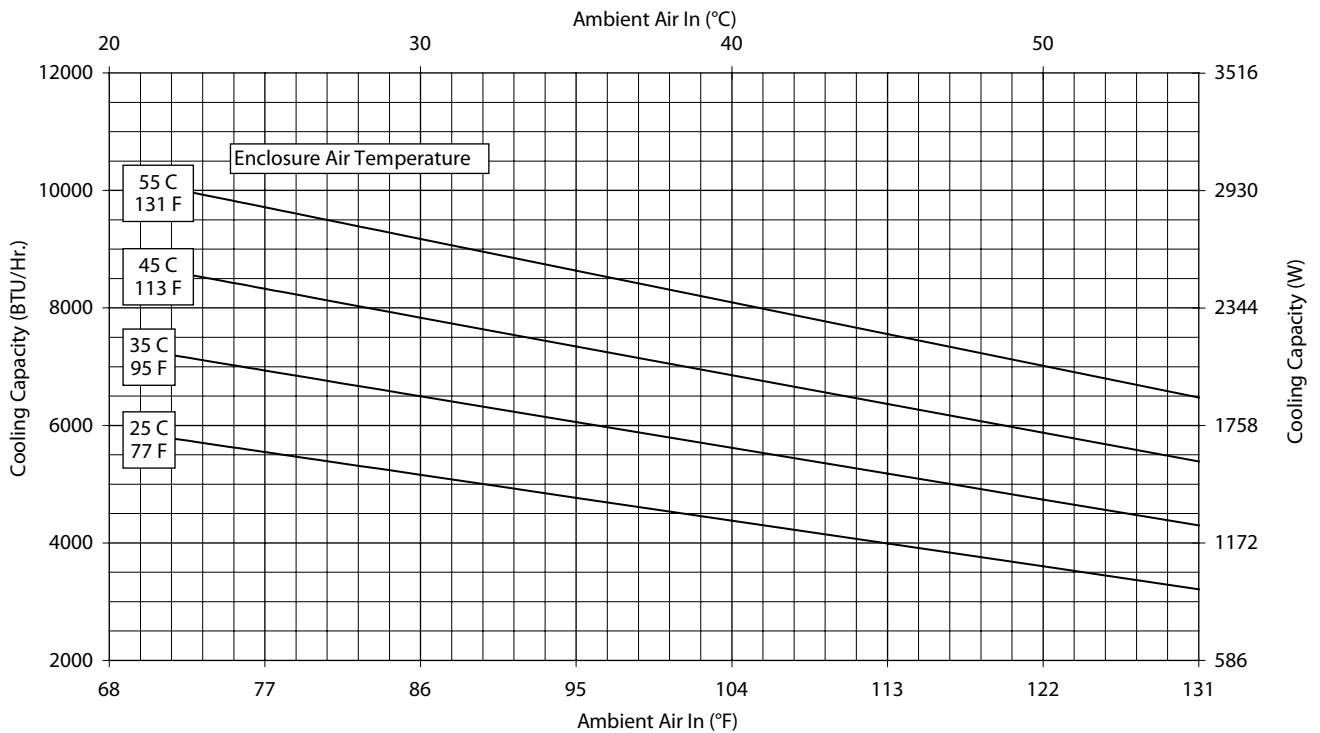
Performance Curves for G28 Models 4000/6000 BTU/Hr. (1172/1758 Watt)



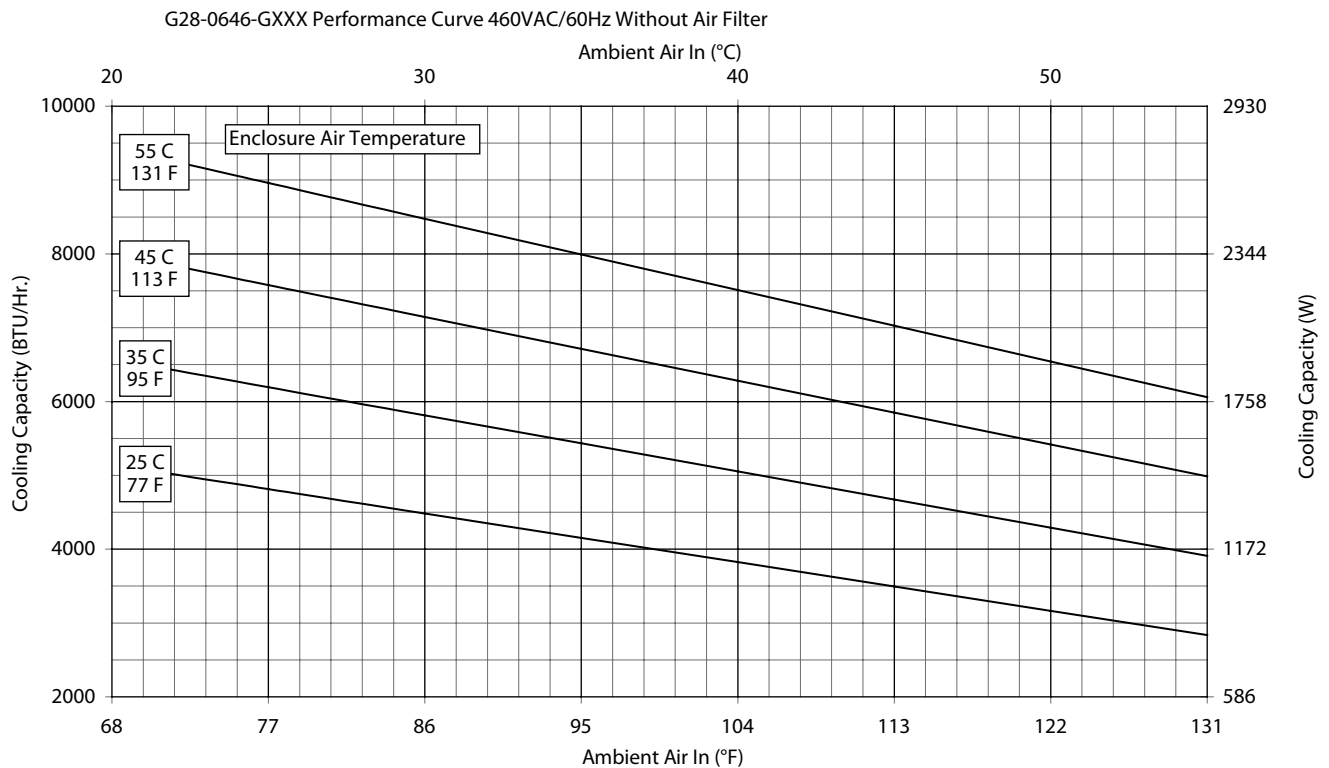
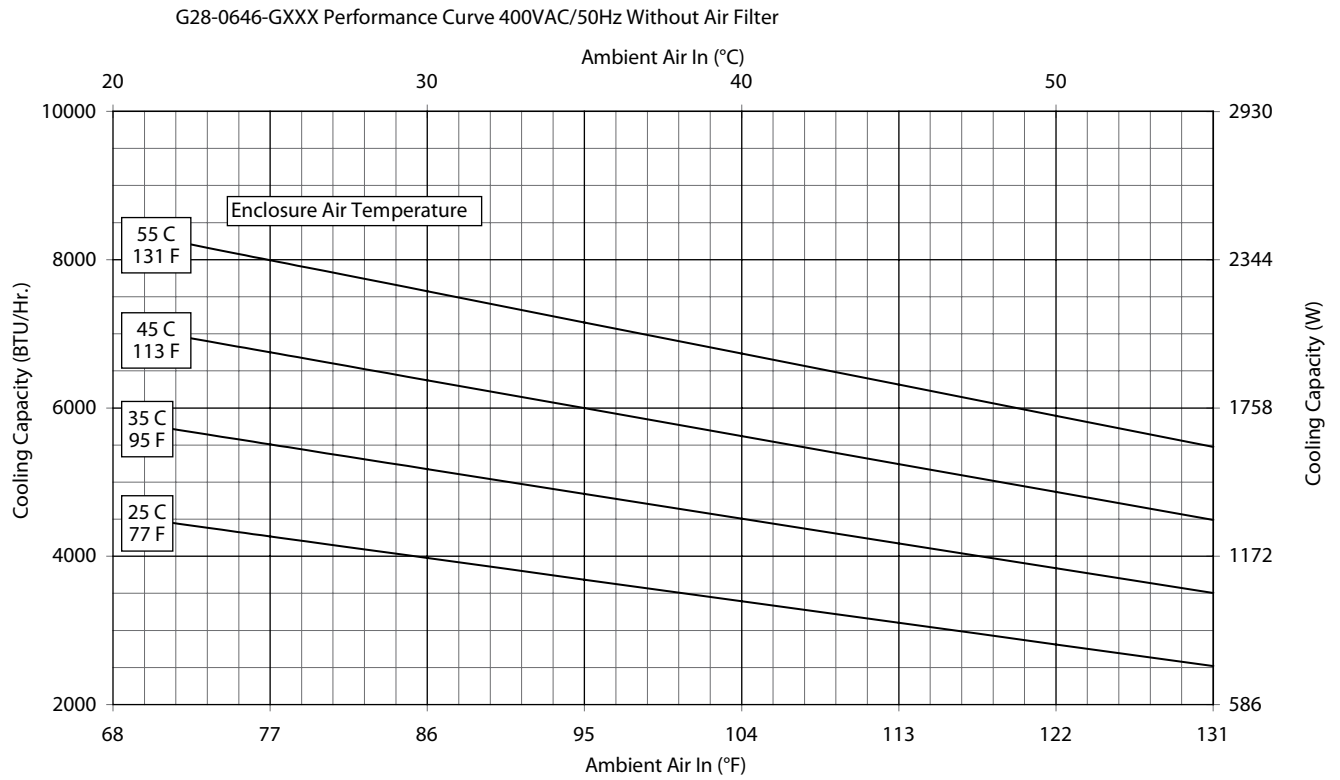
G28-06(1/2)6-GXXX Capacity Curves at 50 Hz Without Filter



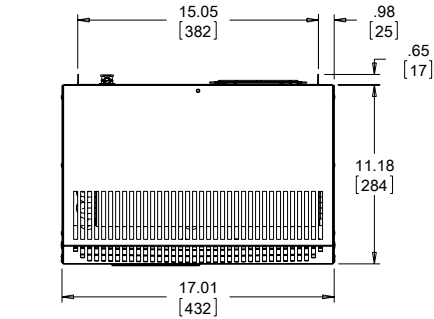
G28-06(1/2)6-G002-P#2 Capacity Curves at 60 Hz Without Filter



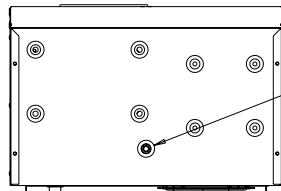
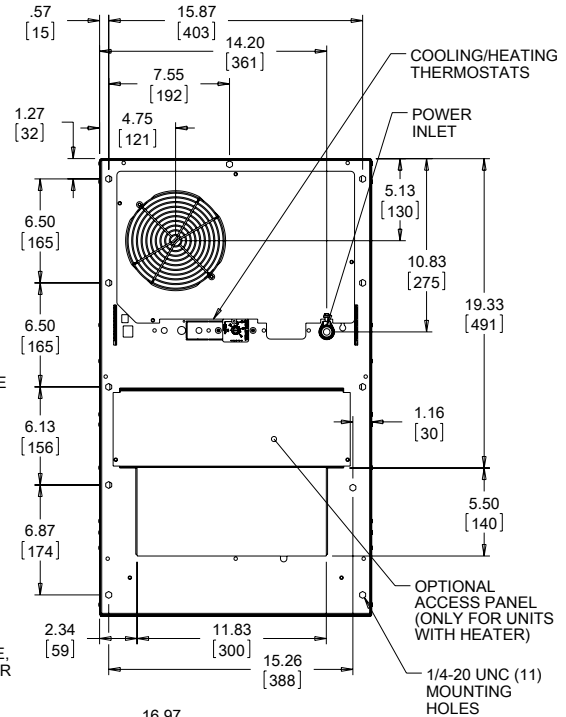
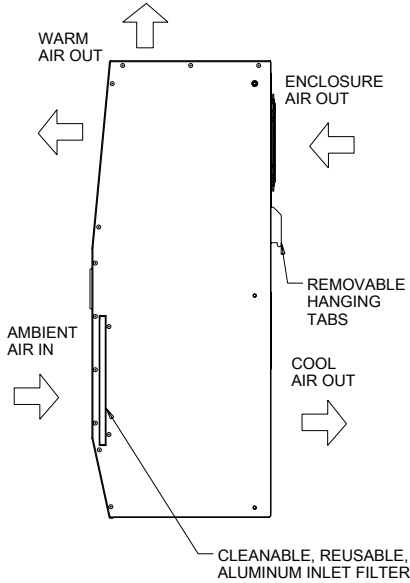
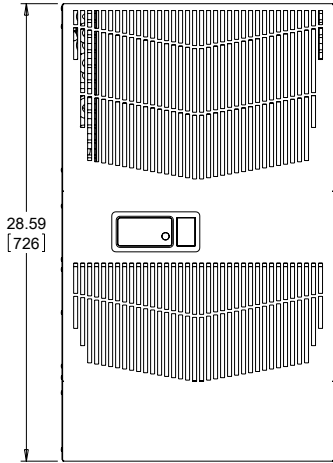
Performance Curves for G28 Models 6000 BTU/Hr. (1758 Watt)



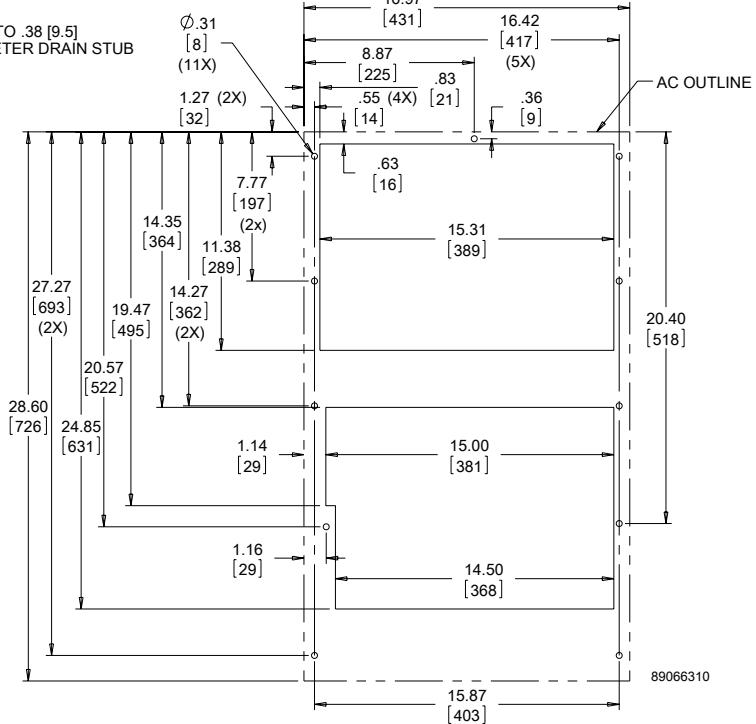
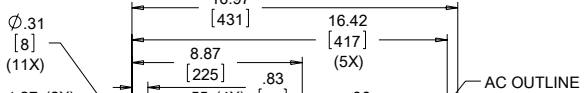
G28 Models 4000 BTU/Hr. 115 V (1172 Watt)



NOTE:
1. MOUNTING GASKET SUPPLIED (NOT SHOWN)
2. UNITS: in. [mm]



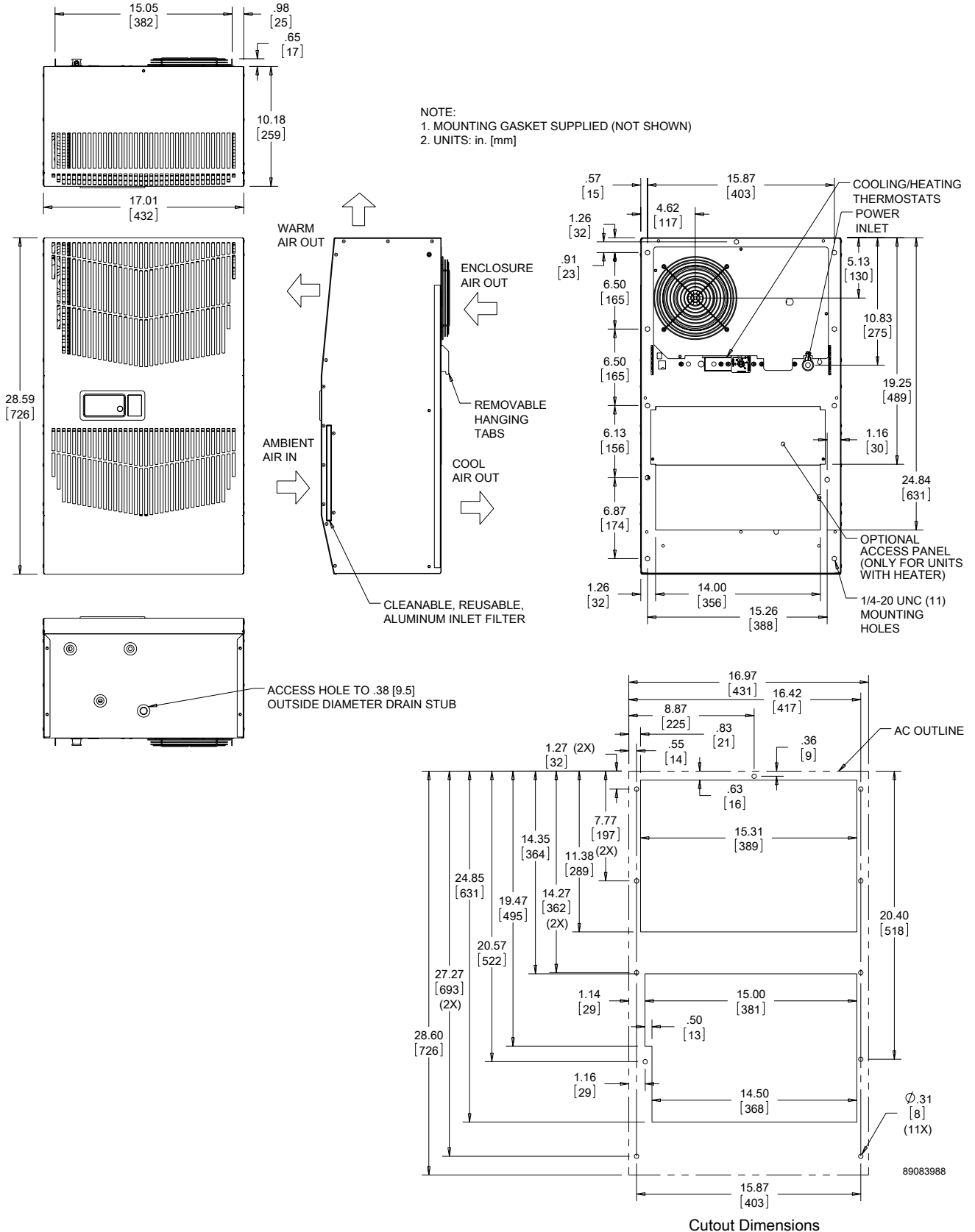
ACCESS HOLE TO .38 [9.5] OUTSIDE DIAMETER DRAIN STUB



Cutout Dimensions

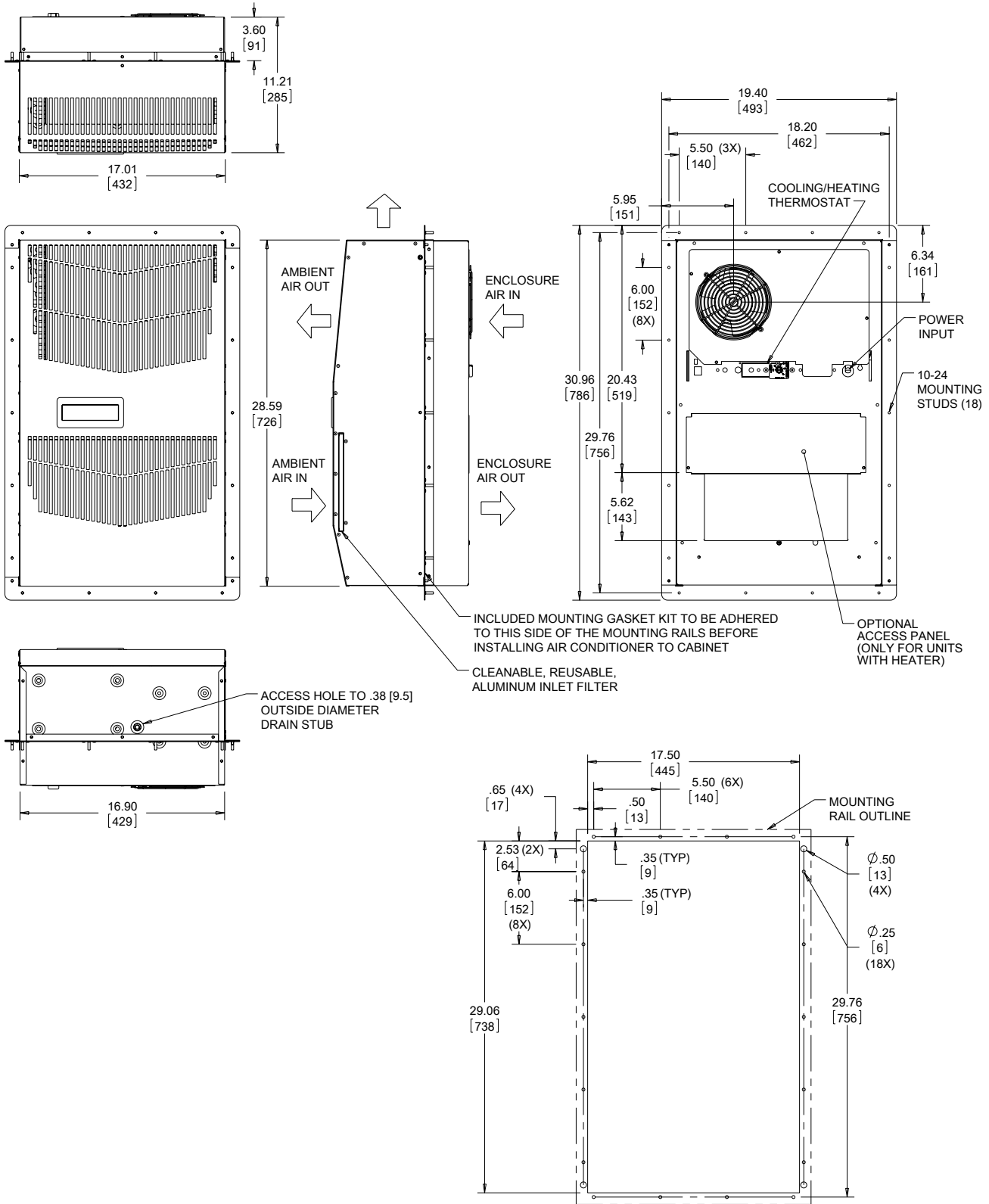
Visit nVent.com/HOFFMAN to download 2D and 3D CAD drawings into the overall design of your electrical system.

G28 Models 4000 BTU/Hr. 230/460 V, 6000 BTU/Hr. 115/230/460 V (1172/1757 Watt)



Visit nVent.com/HOFFMAN to download 2D and 3D CAD drawings into the overall design of your electrical system.

G28 Models 4000 BTU/Hr. 115 V (1172 Watt) Partial Recess

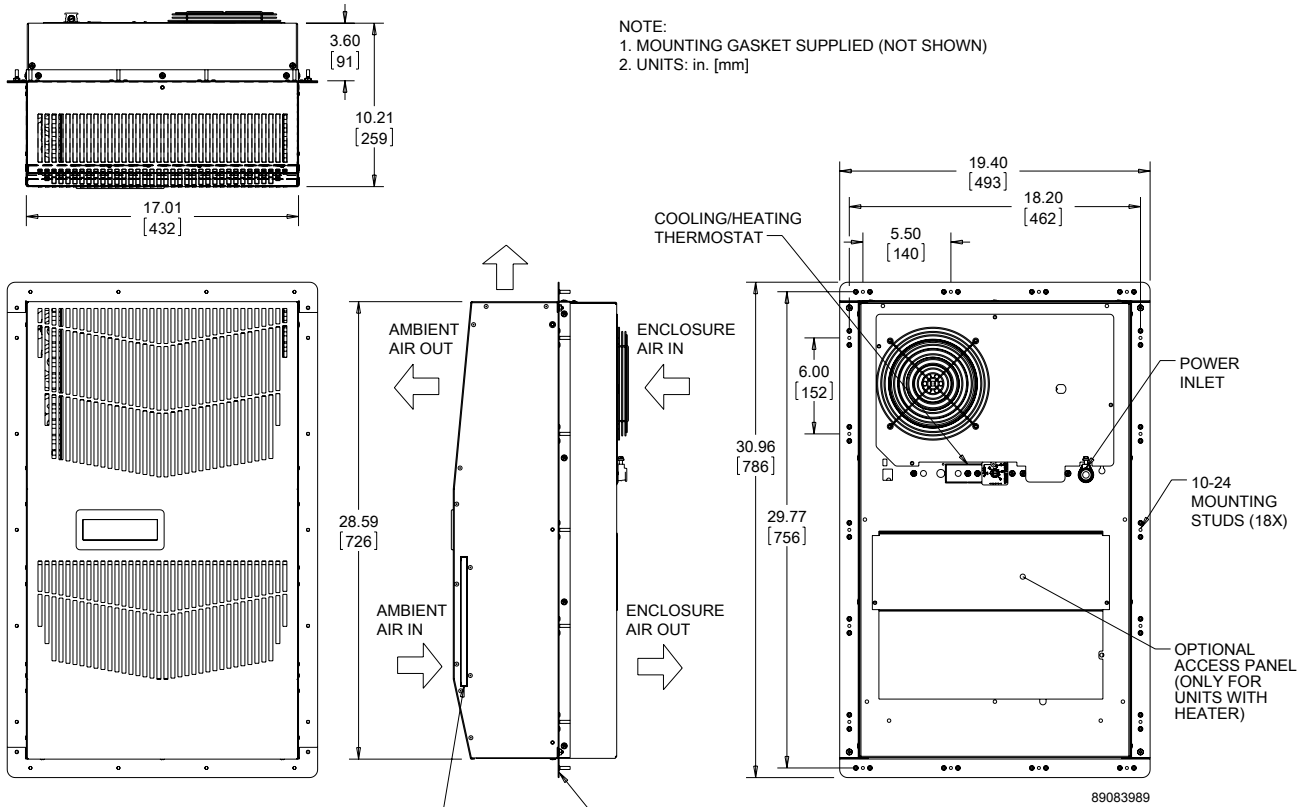


Cutout Dimensions

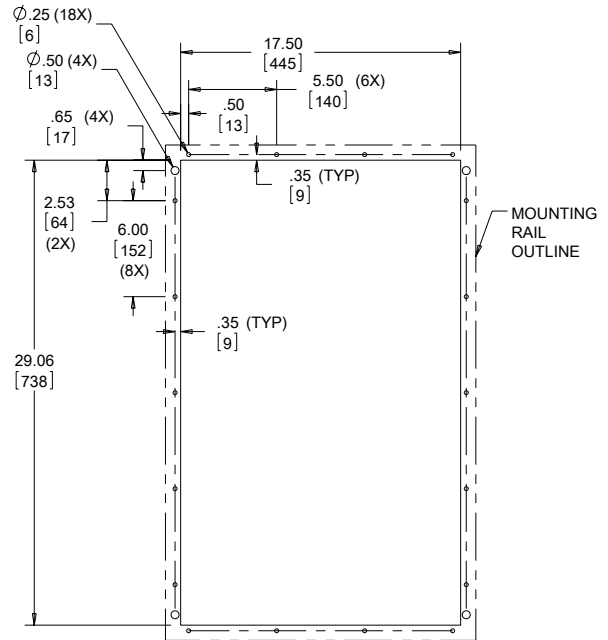
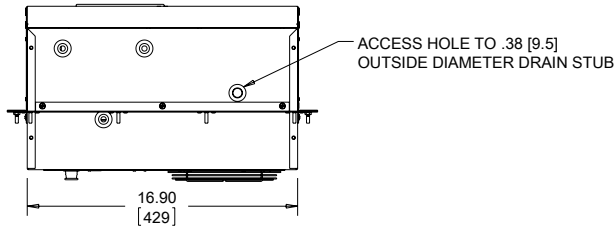
89066434

Visit nVent.com/HOFFMAN to download 2D and 3D CAD drawings into the overall design of your electrical system.

G28 Model 4000 BTU/Hr. 230/460 V, 6000 BTU/Hr. 115/230/460 V (1172/1758 Watt) Partial Recess



INCLUDED MOUNTING GASKET KIT TO BE ADHERED TO THIS SIDE OF THE MOUNTING RAILS BEFORE INSTALLING AIR CONDITIONER TO CABINET



Cutout Dimensions

Visit nVent.com/HOFFMAN to download 2D and 3D CAD drawings into the overall design of your electrical system.



Performance Data G52 Models 8000/12000 BTU/Hr. (2300/3500 Watt)



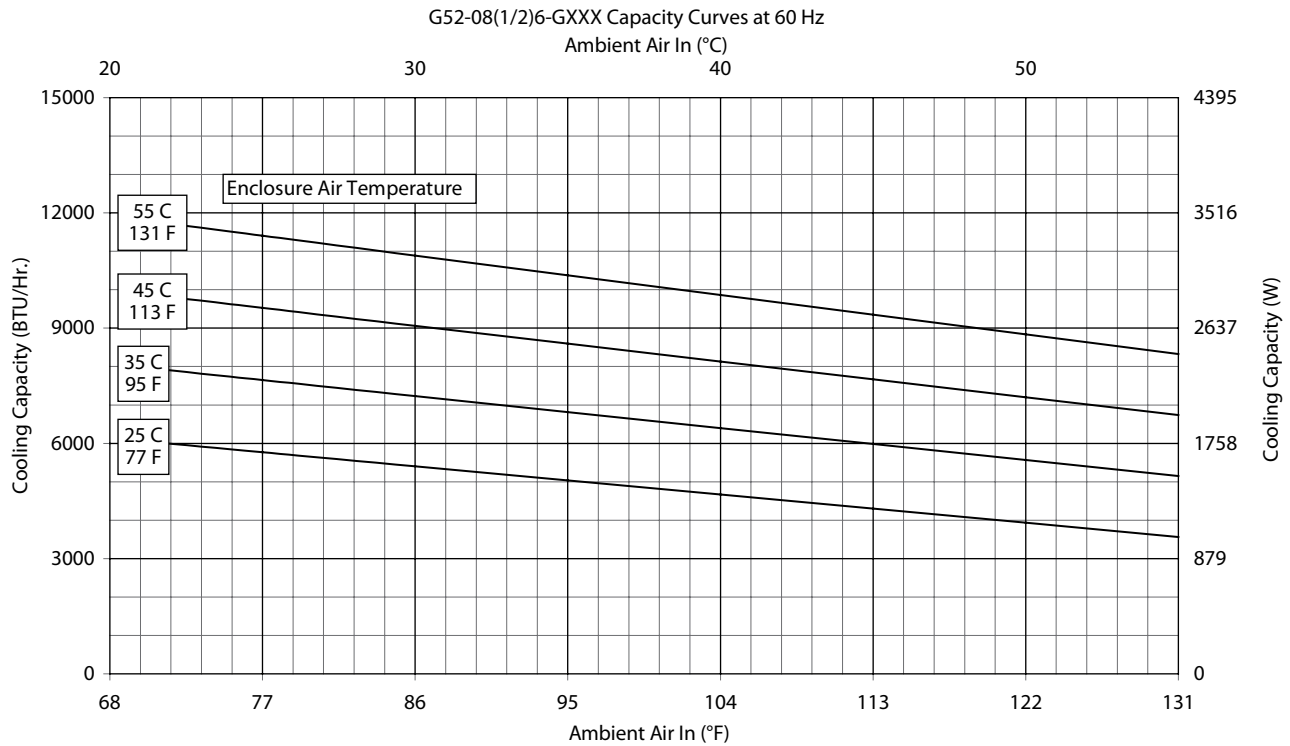
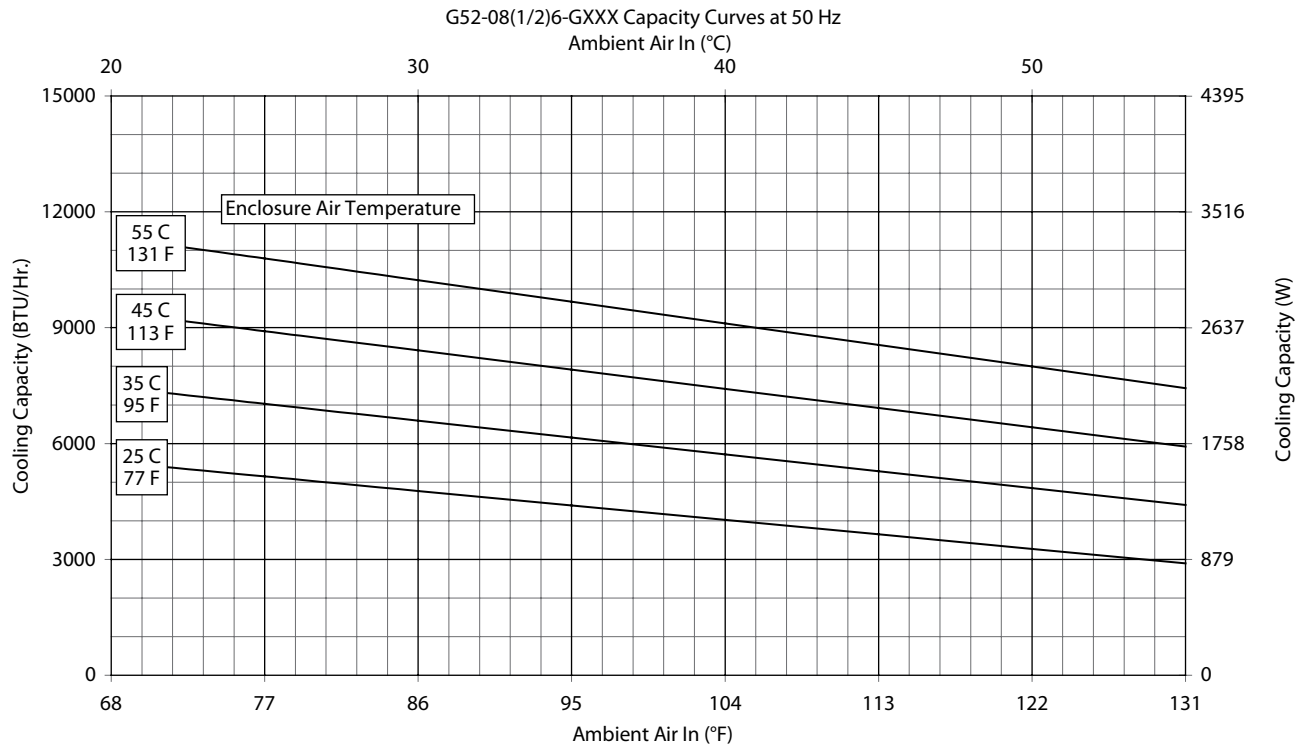
CATALOG NUMBER						
Level 1 Painted Galvanized - G700	G520816G700	G520826G700	G520846G700	G521216G700	G521226G700	G521246G700
Level 1 Stainless Steel 316 - G102	G520816G102	G520826G102	G520846G102	G521216G102	G521226G102	G521246G102
Level 2 Painted Galvanized - G800	G520816G800	G520826G800	G520846G800	G521216G800	G521226G800	G521246G800
Level 2 Painted with Remote Access Control - G360*	G520816G360	G520826G360	G520846G360	G521216G360	G521226G360	G521246G360
Level 2 Stainless Steel 316 - G802	G520816G802	G520826G802	G520846G802	G521216G802	G521226G802	G521246G802
COOLING PERFORMANCE						
Nominal:**						
BTU/Hr.	8000	8000	8000	12000	12000	12000
Watts	2344	2344	2344	3516	3516	3516
At 131 F/131 F (55 C/55 C):						
BTU/Hr. (50/60 Hz)	7300/8200	7300/8200	8800/9800	12000/12500	12000/12500	11100/12000
Watts (50/60 Hz)	2139/2403	2139/2403	2578/2871	3516/3662	3516/3662	3252/3516
At 95 F/95 F (35 C/35 C):						
BTU/Hr. (50/60 Hz)	6000/6800	6000/6800	7400/8200	9900/10700	9900/10700	9900/10700
Watts (50/60 Hz)	1758/1992	1758/1992	2168/2402	2900/3135	2900/3135	2900/3135
Refrigerant	R134a	R134a	R134a	R134a	R134a	R134a
Refrigerant Charge (ounces/grams)	24/680	24/680	24/680	38/1077	38/1077	38/1077
Operating Temperature Range:						
Maximum (°F/°C)	131/55	131/55	131/55	131/55	131/55	131/55
Indoor Minimum (°F/°C)	50/10	50/10	50/10	50/10	50/10	50/10
Outdoor Minimum (°F/°C)	-40/-40	-40/-40	-40/-40	-40/-40	-40/-40	-40/-40
Airflow at 0 Static Pressure:						
Internal loop 50 Hz (CFM / m ³ /hr.)	285/484	285/484	285/484	287/487	287/487	287/487
External loop 50 Hz (CFM / m ³ /hr.)	650/1104	650/1104	650/1104	635/1078	635/1078	635/1078
Internal loop 60 Hz (CFM / m ³ /hr.)	310/527	310/527	310/527	305/518	305/518	305/518
External loop 60 Hz (CFM / m ³ /hr.)	700/1189	700/1189	700/1189	650/1104	650/1104	650/1104
Max. Heater W (Outdoor Models):	2000	2000	NA	2000	2000	NA
ELECTRICAL DATA						
Rated Voltage	115	230/208-230	400/460 3~	115	230/208-230	400/460 3~
Frequency (Hz)	50/60	50/60	50/60	50/60	50/60	50/60
Operating Range	+/- 10%	+/- 10%	+/- 10%	+/- 10%	+/- 10%	+/- 10%
Max. Power Consumption (W)	1250/1415	1250/1415	806/957***	2100/2427	1830/2130	910/1106***
Max. Nominal Current (A at 50/60 Hz)	11.4/12.5	5.7/7.1-6.3	3.1/3.2	16.3/21.2	9.2/10.7-9.6	3.6/3.5
Starting Current (A)	48	27	16	57	38	16
Agency Approvals	UL/cUL Listed CE EAC Others available upon request					
Power Input Description	Terminal Block					
ENCLOSURE PROTECTION						
UL Type	Type 12, 3R, 4 standard Type 4X Stainless steel optional					
International Rating	IP56 internal loop IP34 external loop					
CONTROLLER						
Description	Basic mechanical thermostat with digital display					
Thermostat Location	Enclosure side on all base models					
Digital Display Location:						
Indoor Models	Ambient side					
Outdoor Models	Enclosure side					
Factory Thermostat Setting (F/C)	80/27					
SOUND LEVEL						
At 1.5 Meters	68 dB(A)					
ACCESSORIES						
EASYSWAP Adaptor Plenum (GENESIS M52)	Enables SPECTRACOOL to be mounted to a GENESIS M52 air conditioner cutout Catalog Number PLM52G52					
UNIT DIMENSIONS						
Height (in./mm)	52.70/1339					
Width (in./mm)	17.14/435					
Depth (in./mm)	11.65/296					
Weight (lb./kg)	128/58.1	128/58.1	138/62.6	131/59.4	131/59.4	141/64.0

*Units with Remote Access Control utilize a digital controller and communicate via EtherNet/IP, Profinet, Modbus TCP/IP and SNMP over ethernet or modbus RTU over USB.

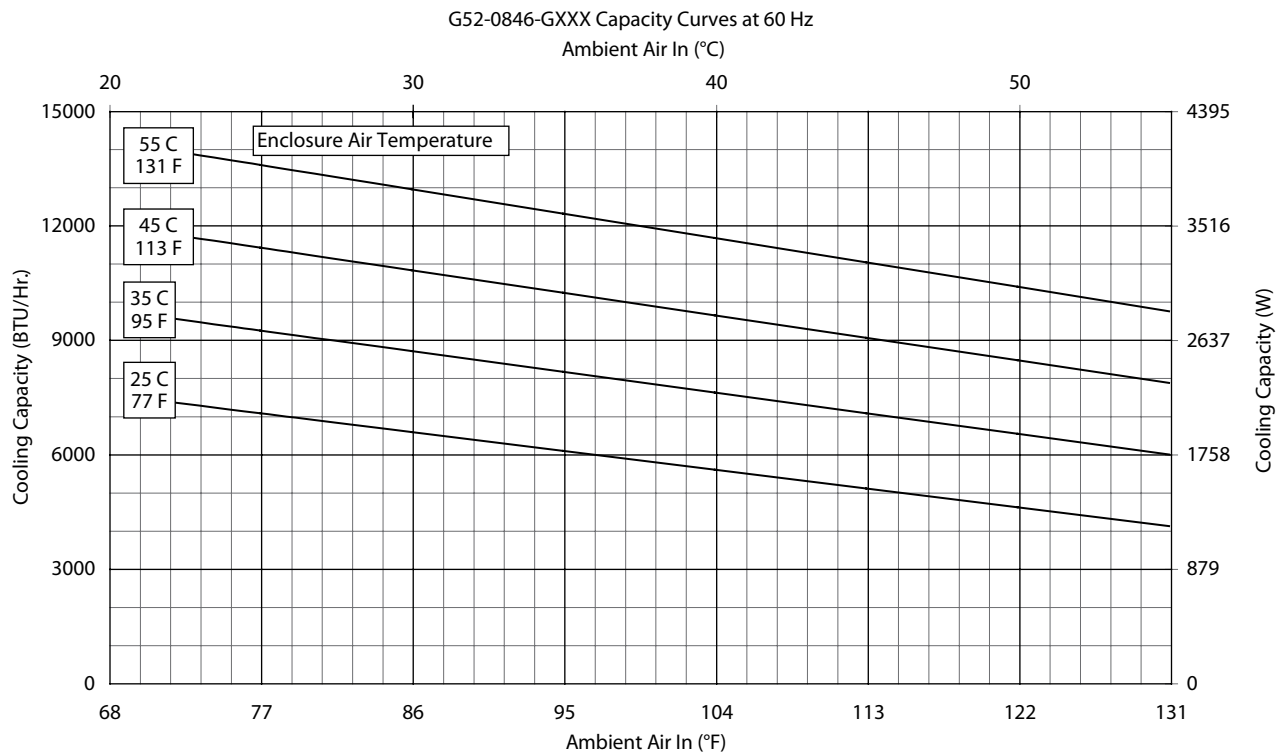
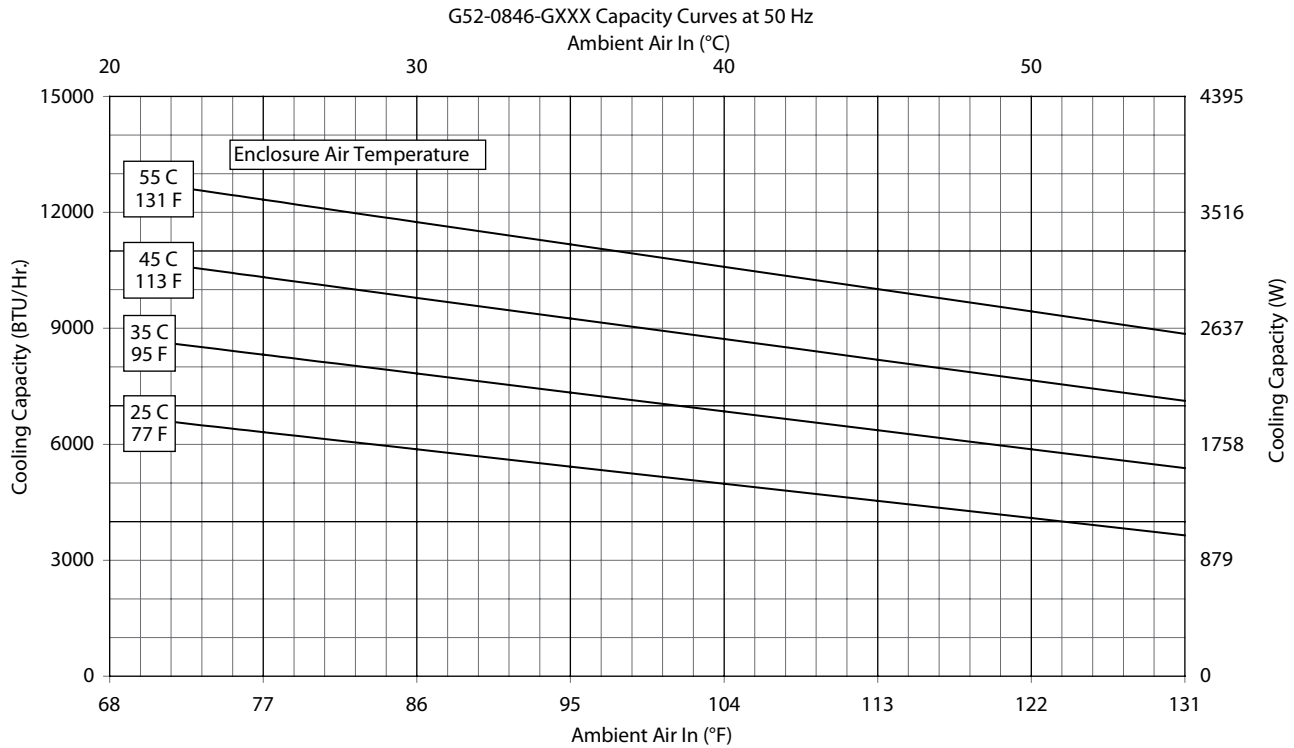
**Performance values are nominal. For actual values, see performance curves.

***Watts based on .65 power factor.

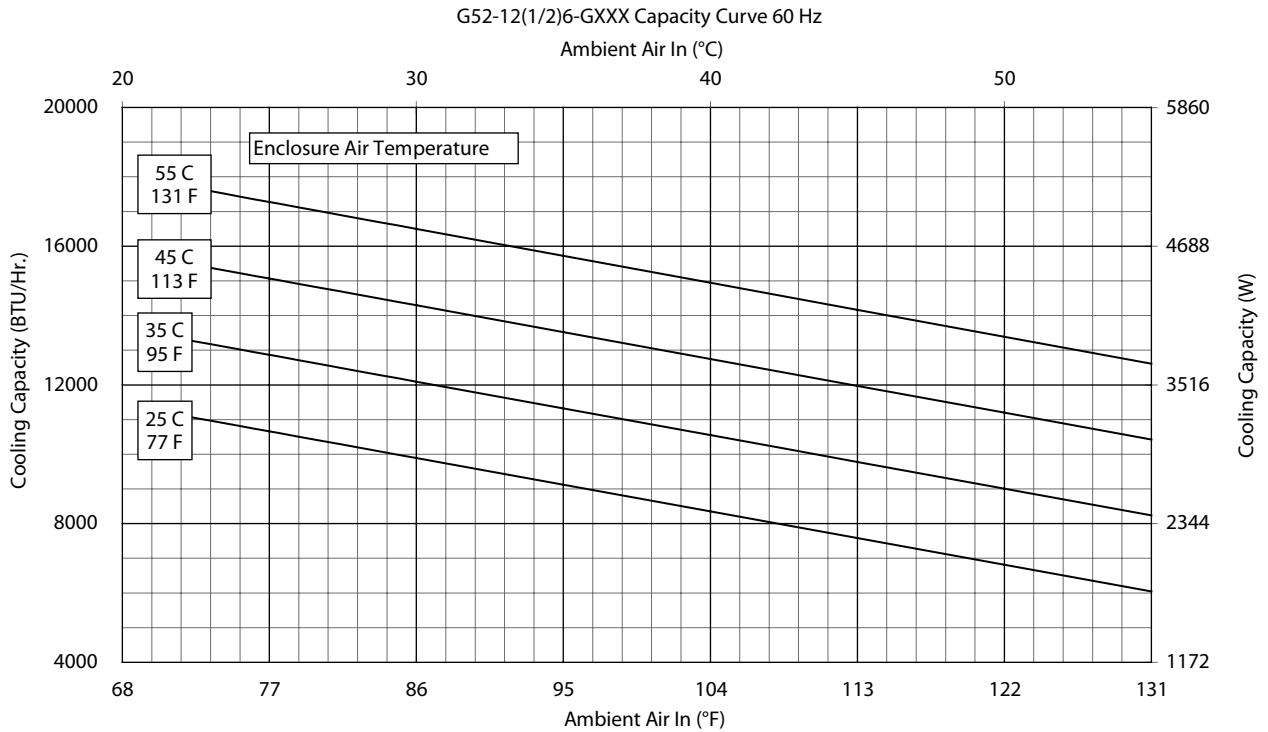
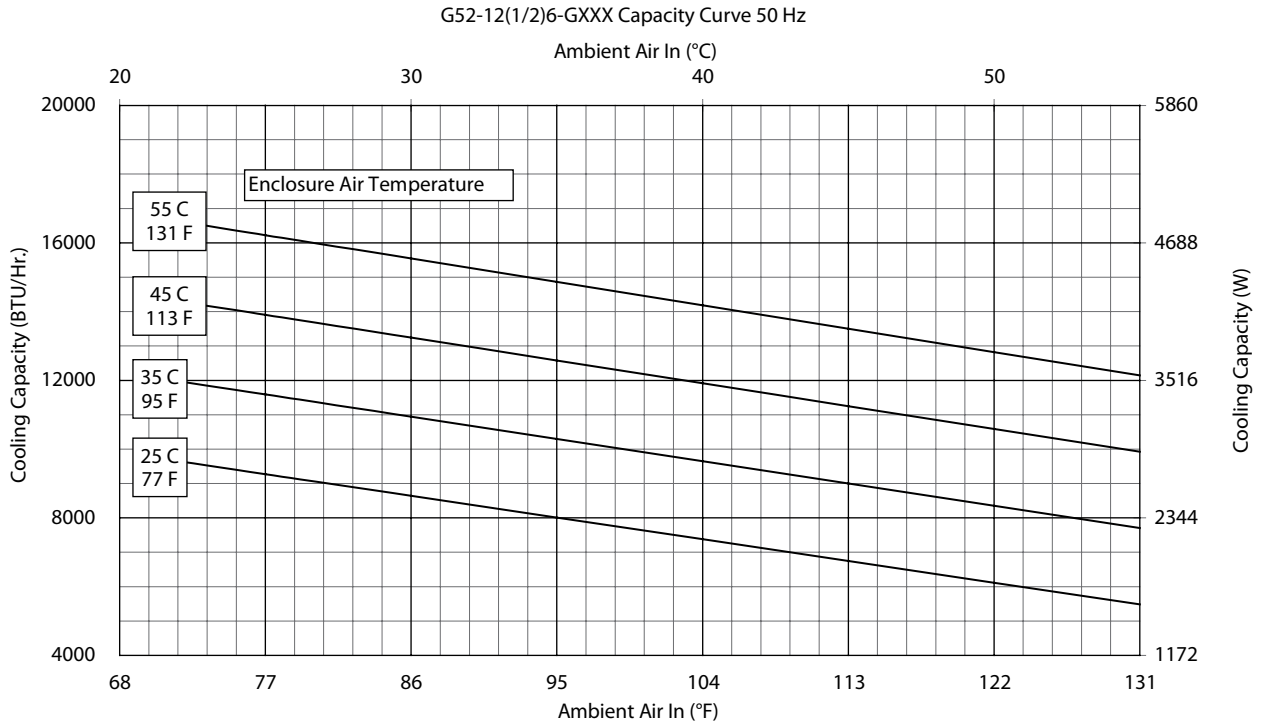
Performance Curves for G52 Models 8000 BTU/Hr. (23 Watt)



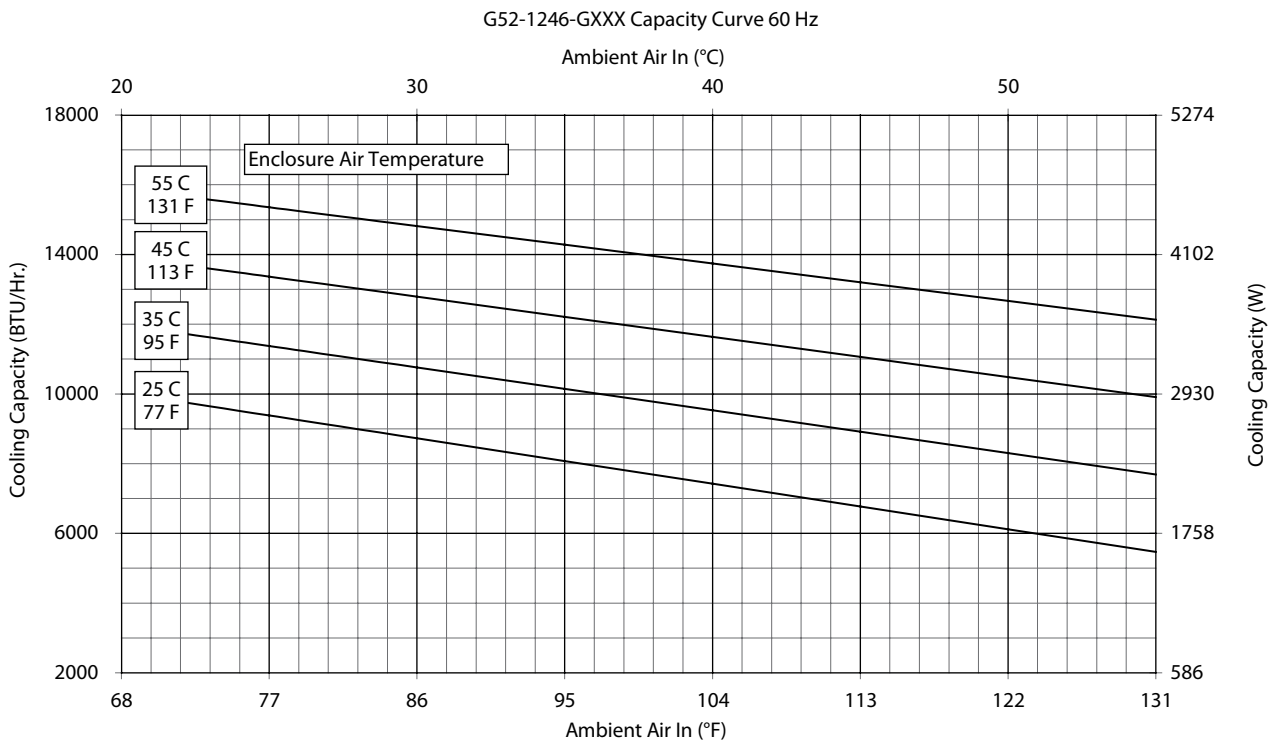
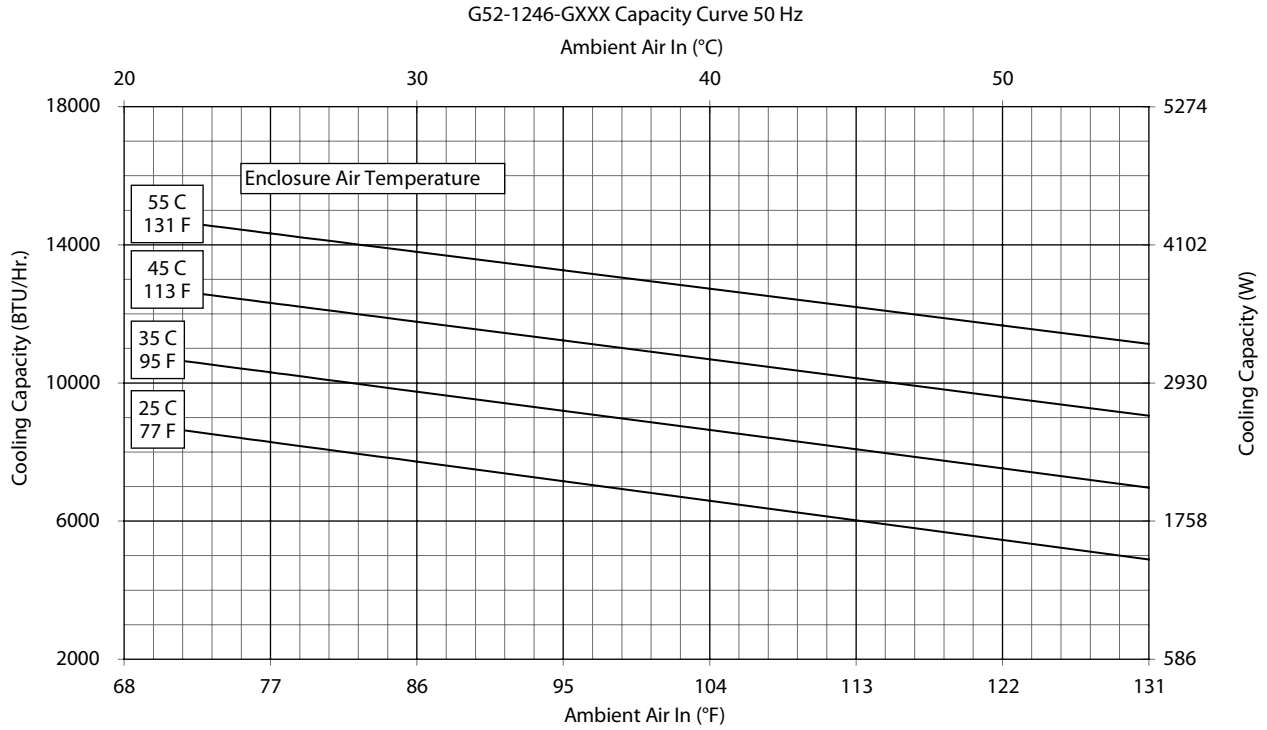
Performance Curves for G52 Models 8000 BTU/Hr. (2300 Watt)



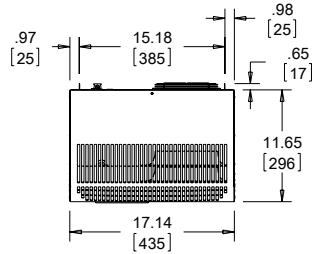
Performance Curves for G52 Models 12000 BTU/Hr. (3500 Watt)



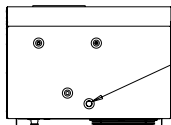
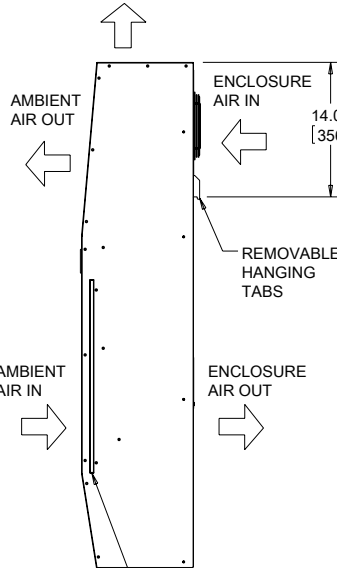
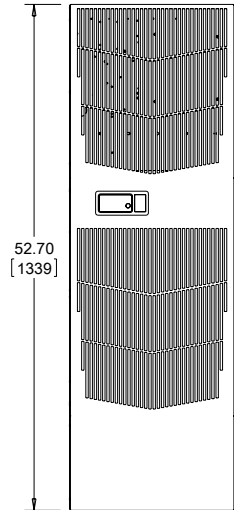
Performance Curves for G52 Models 12000 BTU/Hr. (3516 Watt)



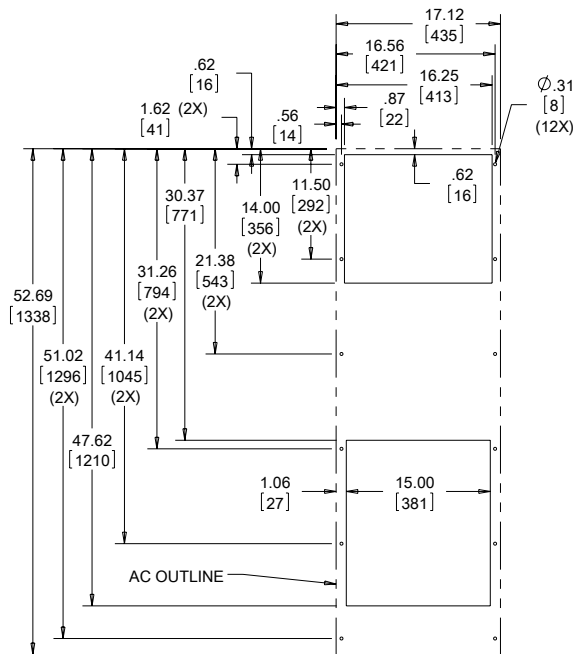
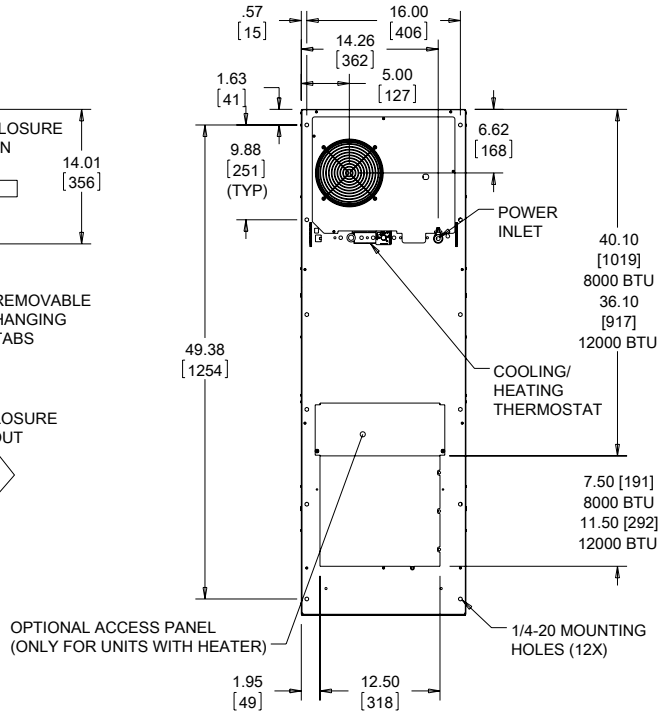
G52 Models 8000/12000 BTU/Hr. (2300/3500 Watt)



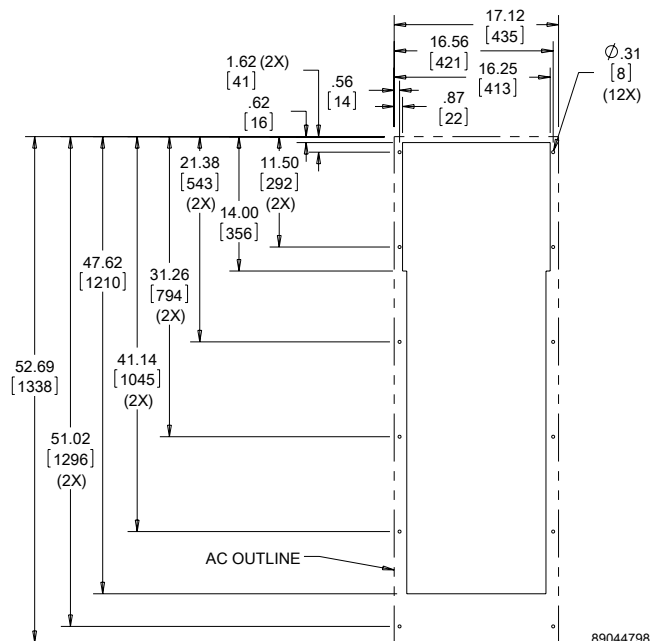
NOTE:
 1. MOUNTING GASKET SUPPLIED (NOT SHOWN)
 2. UNITS: in. [mm]



CLEANABLE, REUSABLE ALUMINUM INLET FILTER



Cutout Dimensions (Standard)

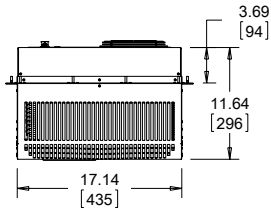


Cutout Dimensions (G520846G150, G520846G151, G521246G150, G521246G151 only)

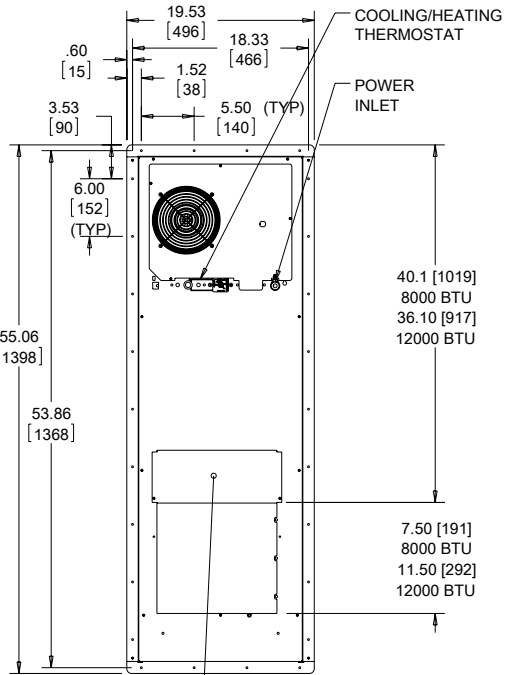
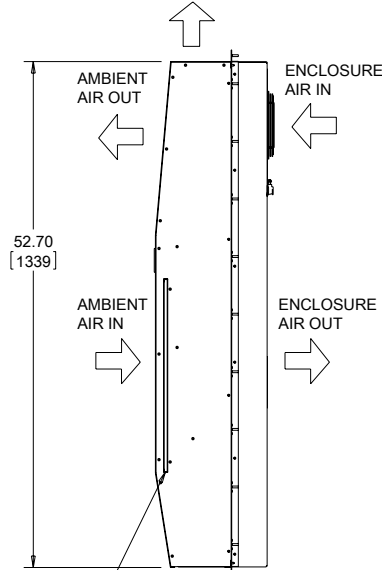
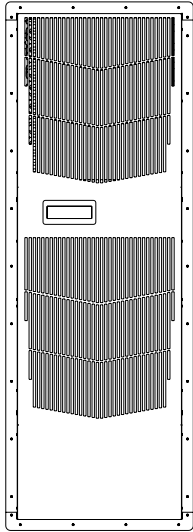
Visit nVent.com/HOFFMAN to download 2D and 3D CAD drawings into the overall design of your electrical system.



G52 Models 8000/12000 BTU/Hr. (2344/3516 Watt) with Partial Recess

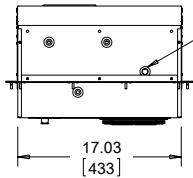


NOTE:
1. MOUNTING GASKET SUPPLIED (NOT SHOWN)
2. UNITS: in. [mm]

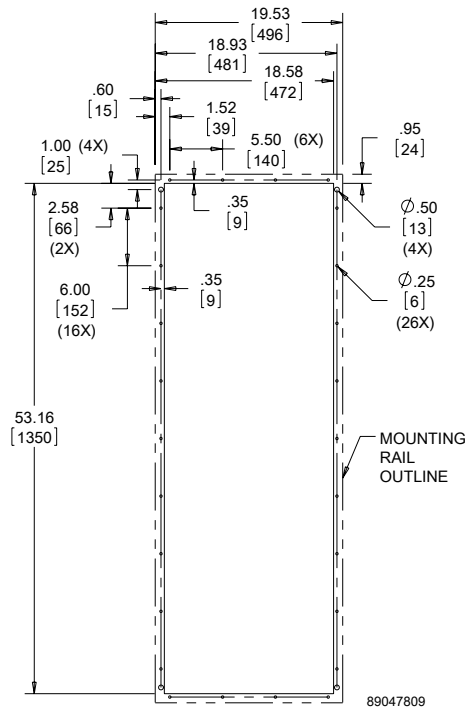


CLEANABLE, REUSABLE ALUMINUM INLET FILTER

INCLUDED MOUNTING GASKET KIT TO BE ADHERED TO THIS SIDE OF MOUNTING RAILS BEFORE INSTALLING AIR CONDITIONER TO CABINET



ACCESS HOLE TO .38 [9.5] OUTSIDE DIAMETER DRAIN STUB



Cutout Dimensions

89047809

Visit nVent.com/HOFFMAN to download 2D and 3D CAD drawings into the overall design of your electrical system.



Performance Data **G57 Models 20000 BTU/Hr. (5861 Watt)**

CATALOG NUMBER		
Level 1 Painted Galvanized - G700	G572026G700	G572046G700
Level 1 Stainless Steel 316 - G102	G572026G102	G572046G102
Level 2 Painted Galvanized - G800	G572026G800	G572046G800
Level 2 Painted with Remote Access Control - G360*	G572026G360	G572046G360
Level 2 Stainless Steel 316 - G802	G572026G802	G572046G802
COOLING PERFORMANCE		
Nominal:**		
BTU/Hr.	20000	20000
Watts	5861	5861
At 131 F/131 F (55 C/55 C):		
BTU/Hr. (50/60 Hz)	17500/19600	21400/23400
W (50/60 Hz)	5129/5744	6272/6857
At 95 F/95 F (35 C/35 C):		
BTU/Hr. (50/60 Hz)	16000/18000	19300/21400
W (50/60 Hz)	4689/5275	5656/6272
Refrigerant	R407c	R407c
Refrigerant Charge (ounces/grams)	50/1417	48/1361
Operating Temperature Range:		
Maximum (°F/°C)	131/55	131/55
Indoor Minimum (°F/°C)	50/10	50/10
Outdoor Minimum (°F/°C)	-40/-40	-40/-40
Airflow at 0 Static Pressure:		
Internal loop 50 Hz (CFM / m ³ /hr.)	513/872	513/872
External loop 50 Hz (CFM / m ³ /hr.)	919/1562	919/1562
Internal loop 60 Hz (CFM / m ³ /hr.)	587/998	587/998
External loop 60 Hz (CFM / m ³ /hr.)	1055/1794	1055/1794
Max. Heater W (Outdoor Models)	3000	3000
ELECTRICAL DATA		
Rated Voltage	230/230	400/460 3~
Frequency (Hz)	50/60	50/60
Operating Range	+/- 10%	+/- 10%
Max. Power Consumption (W at 50/60 Hz)	4508/5106	2400/3128
Max. Nominal Current (A at 50/60 Hz)	16.7/22.3	6.0/6.8
Starting Current (A)	63	27
Agency Approvals	UL/cUL Listed CE EAC Others available upon request	
Power Input Description	Terminal Block	
ENCLOSURE PROTECTION		
UL Type	Type 12, 3R, 4 standard Type 4X stainless steel optional	
International Rating	IP56 internal loop IP34 external loop	
CONTROLLER		
Description	Basic mechanical thermostat with digital display	
Thermostat Location	Enclosure side on all base models	
Digital Display Location:		
Indoor Models	Ambient side	
Outdoor Models	Enclosure side	
Factory Thermostat Setting (°F/°C)	80/27	
SOUND LEVEL		
At 1.5 Meters	74.1 dB(A)	
ACCESSORIES		
EASYSWAP Adaptor Plenum (T-Series T53)	Enables SPECTRACOOOL to be mounted to a T-Series T53 air conditioner cutout part #57721601SP	
UNIT DIMENSIONS		
Height (in./mm)	57.70/1465	
Width (in./mm)	20.89/531	
Depth (in./mm)	15.36/390	
Weight (lb./kg)	197/89	

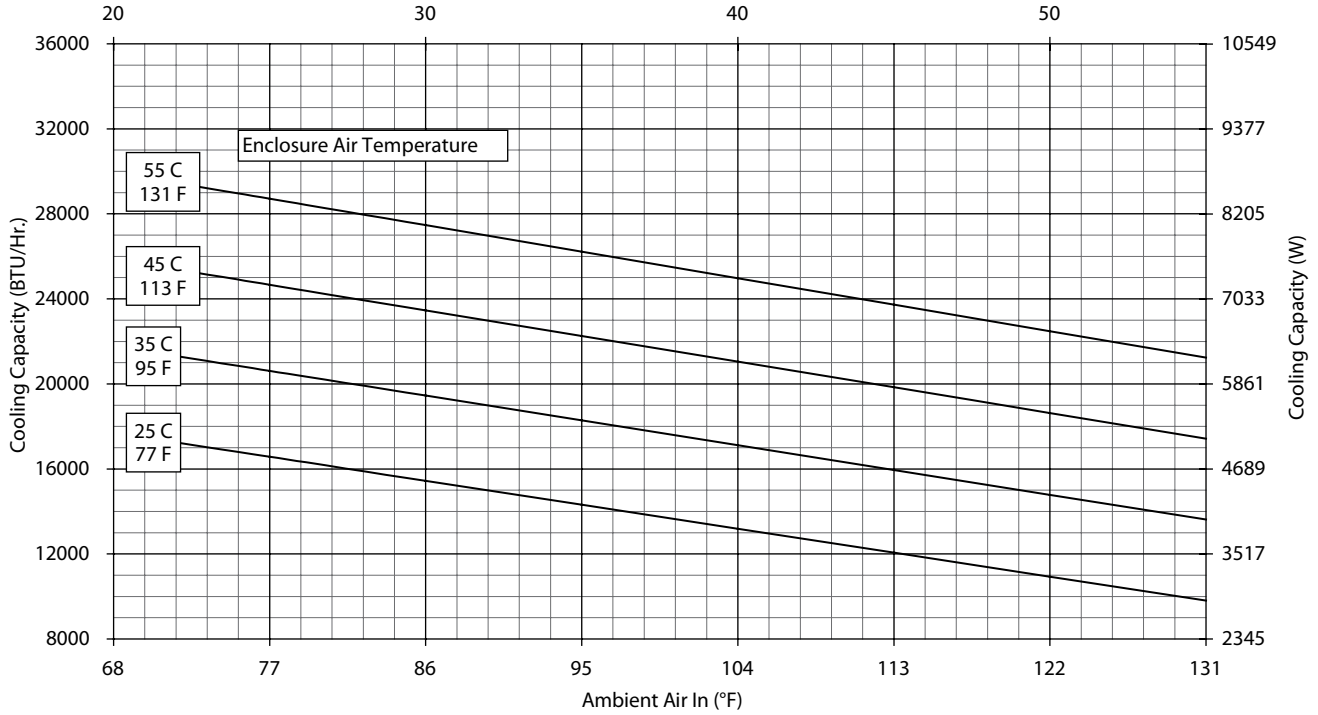
*Units with Remote Access Control utilize a digital controller and communicate via EtherNet/IP, Profinet, Modbus TCP/IP and SNMP over ethernet or modbus RTU over USB.

**Performance values are nominal. For actual values, see performance curves.

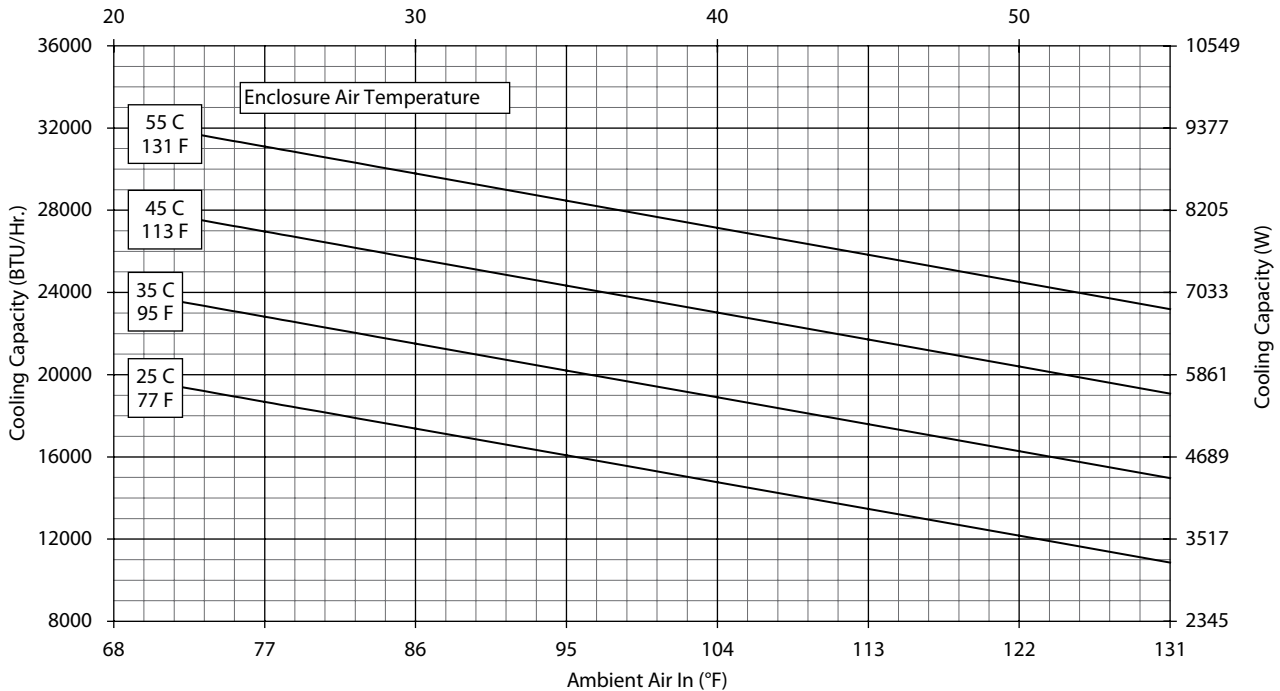
Performance Curves for G57 Models 20000 BTU/Hr.



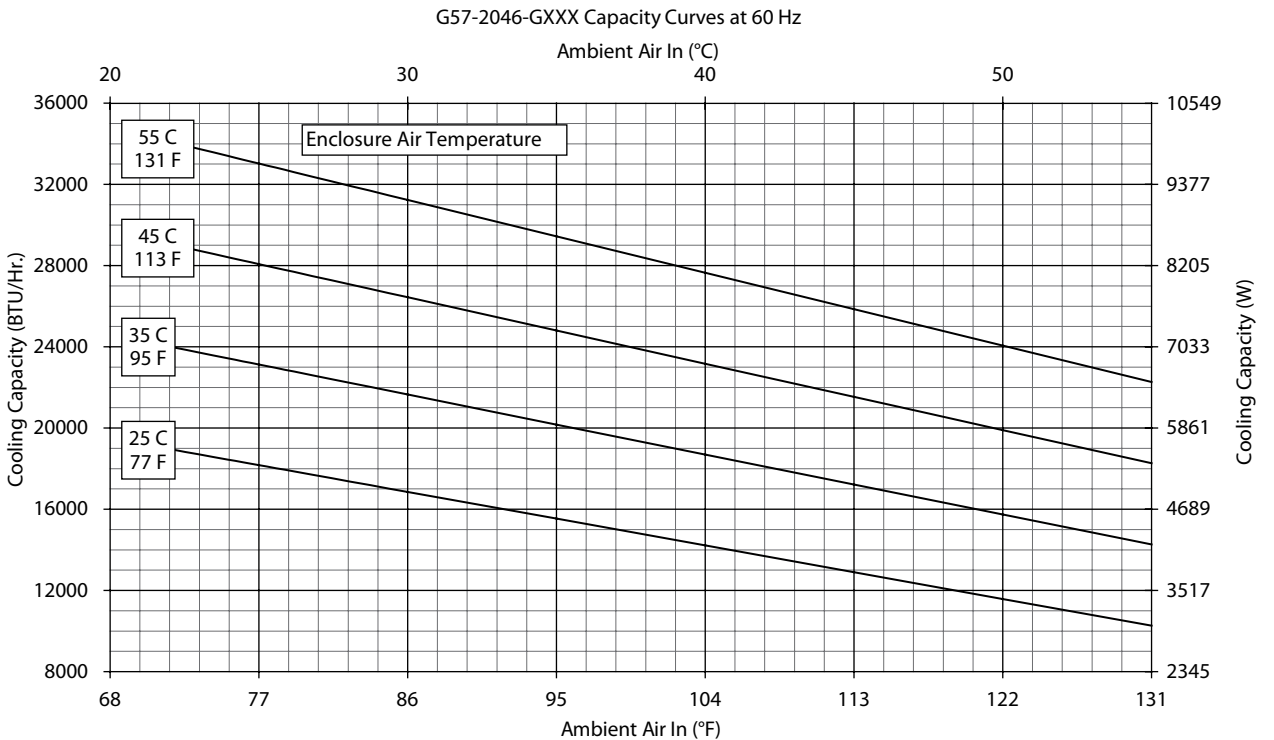
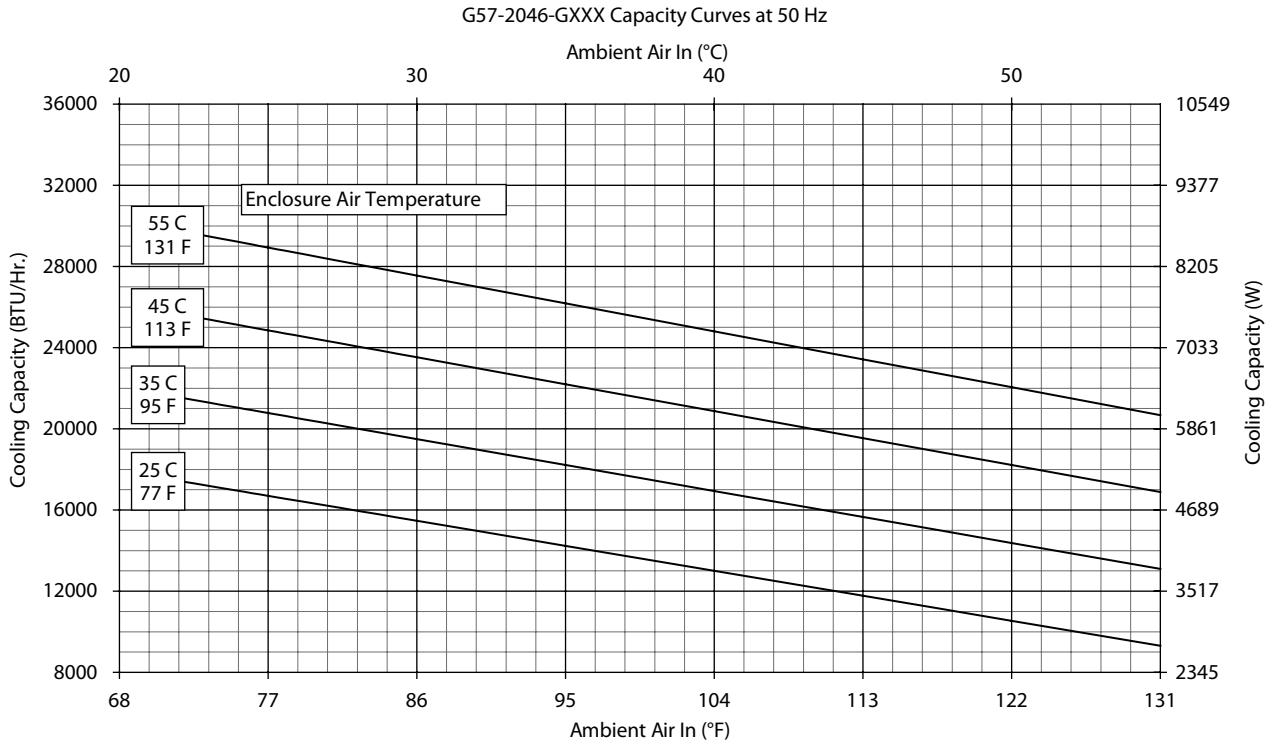
G57-2026-GXXX Capacity Curves at 50 Hz
Ambient Air In (°C)



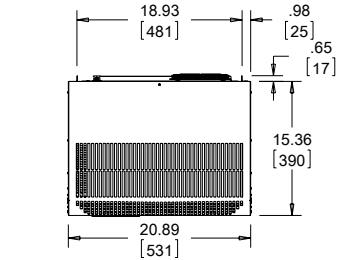
G57-2026-GXXX Capacity Curves at 60 Hz
Ambient Air In (°C)



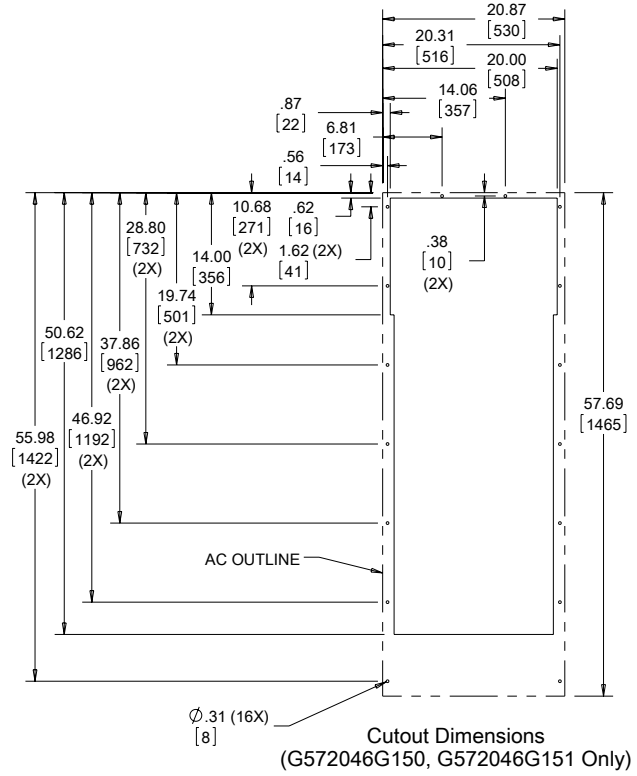
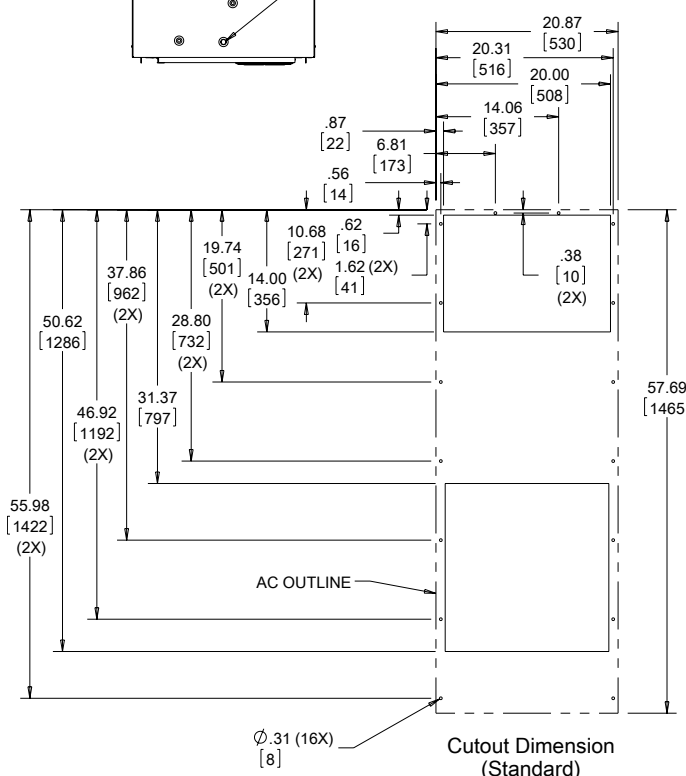
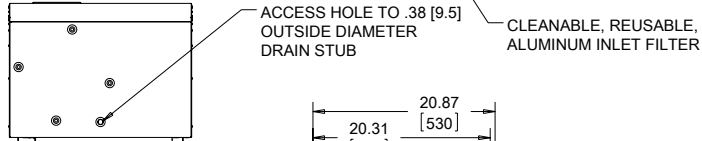
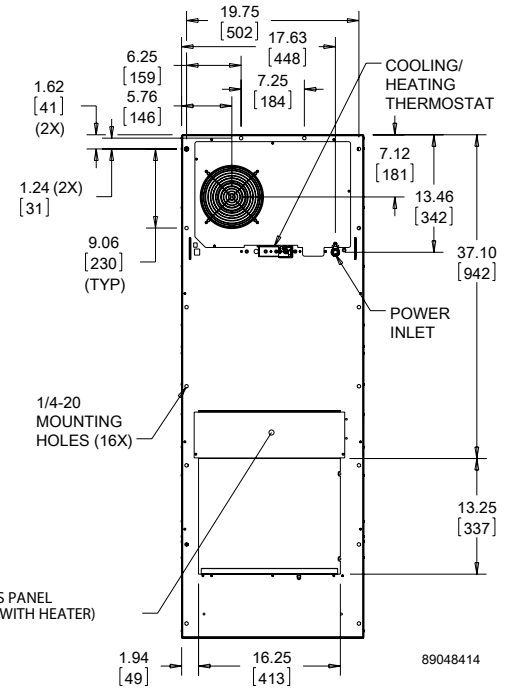
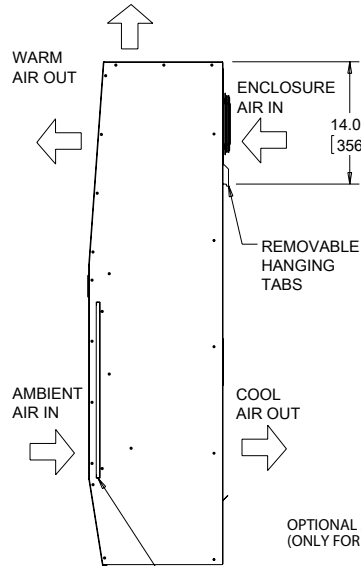
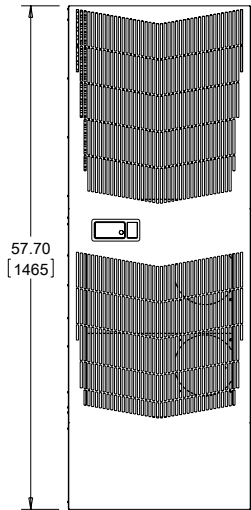
Performance Curves for G57 Models 20000 BTU/Hr.



G57 Models 20000 BTU/Hr. (5861 Watt)

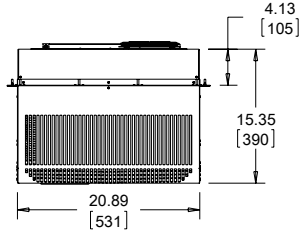


NOTE:
1. MOUNTING GASKET SUPPLIED (NOT SHOWN)
2. UNITS: in. [mm]

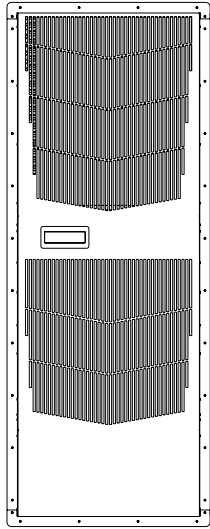


Visit nVent.com/HOFFMAN to download 2D and 3D CAD drawings into the overall design of your electrical system.

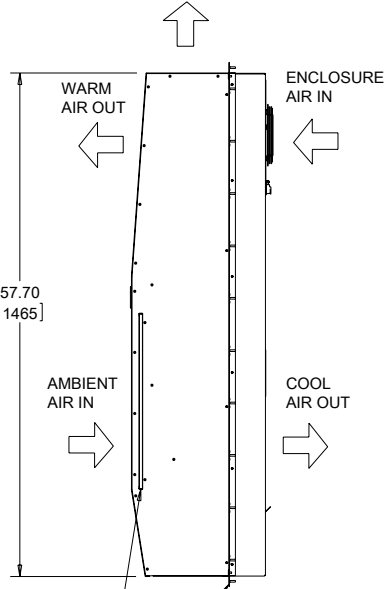
G57 Models 20000 BTU/Hr. (5861 Watt) With Partial Recess



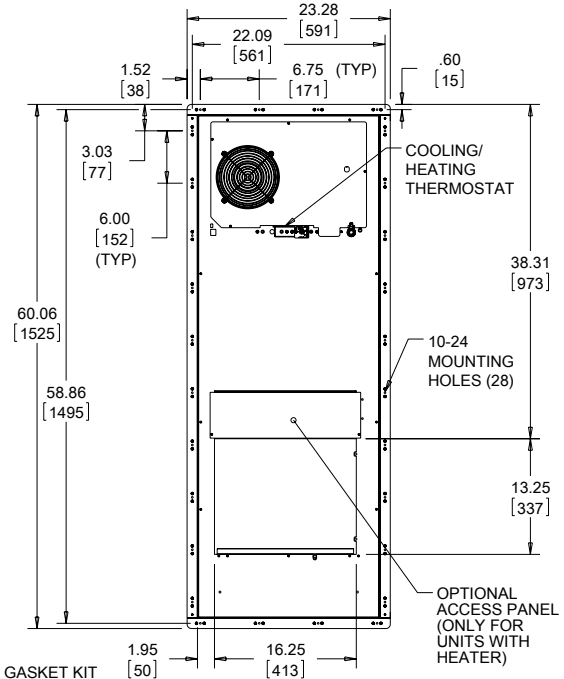
NOTE:
 1. MOUNTING GASKET SUPPLIED (NOT SHOWN)
 2. UNITS: in. [mm]



CLEANABLE, REUSABLE, ALUMINUM INLET FILTER



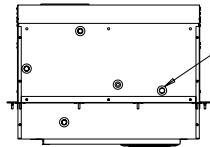
INCLUDED MOUNTING GASKET KIT TO BE ADHERED TO THIS SIDE OF MOUNTING RAILS BEFORE INSTALLING AIR CONDITIONER TO CABINET



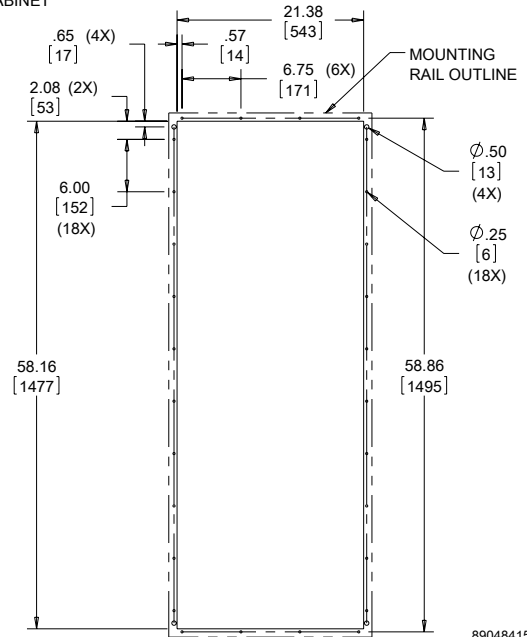
COOLING/ HEATING THERMOSTAT

10-24 MOUNTING HOLES (28)

OPTIONAL ACCESS PANEL (ONLY FOR UNITS WITH HEATER)



ACCESS HOLE TO .38 [9.5] OUTSIDE DIAMETER DRAIN STUB



Cutout Dimensions

89048415

Visit nVent.com/HOFFMAN to download 2D and 3D CAD drawings into the overall design of your electrical system.



SPECTRACOOL SLIM FIT INDOOR



S06
1000/1700 BTU/Hr.
300/500 Watt

S10
3400/5000 BTU/Hr.
1000/1500 Watt

S16
6800/8500/13500 BTU/Hr.
2000/2500/4000 Watt

INDUSTRY STANDARDS

UL/cUL Listed Type 12; File No.SA6453

CE
EAC
IP 54 Internal Loop
IP34 External Loop

APPLICATION

- Industrial Automation
- Machine Tool
- Automotive
- Packaging handling equipment
- Material handling

FEATURES

- Slim fit design
- Standard cutout dimension for easy exchange
- Energy efficient rotary compressor
- R134a earth-friendly refrigerant
- Models for 115, 230, and 400/460 3-phase VAC power input

- UL Listed to save customers time and money with agency approvals
- Active condensate management to prevent dripping water
- Aesthetic design plastic cover to optimize air flow
- Three mounting options; fully recessed, partial recessed and surface mount
- Remote access control option for monitoring units worldwide
- Easy filter replacement for extremely dusty environments
- Dust resistant coils for filterless operation
- Every unit functionally tested before shipping
- Standard Indoor Air Conditioner models also include:
 - Door switch

SPECIFICATIONS

- Nominal cooling capacity
 - S06 1000 and 1500 BTU/hr. (300 and 500 W)
 - S10 3400 and 5000 BTU/hr. (1000 and 1500 W)
 - S16 6800, 8500, and 13500 BTU/hr. (2000, 2500, and 4000 W)
- Operating temperature range from 50 F / 10 C to 131 F / 55 C

FINISH

- RAL 7035 light-gray, semi-textured powder-coat paint

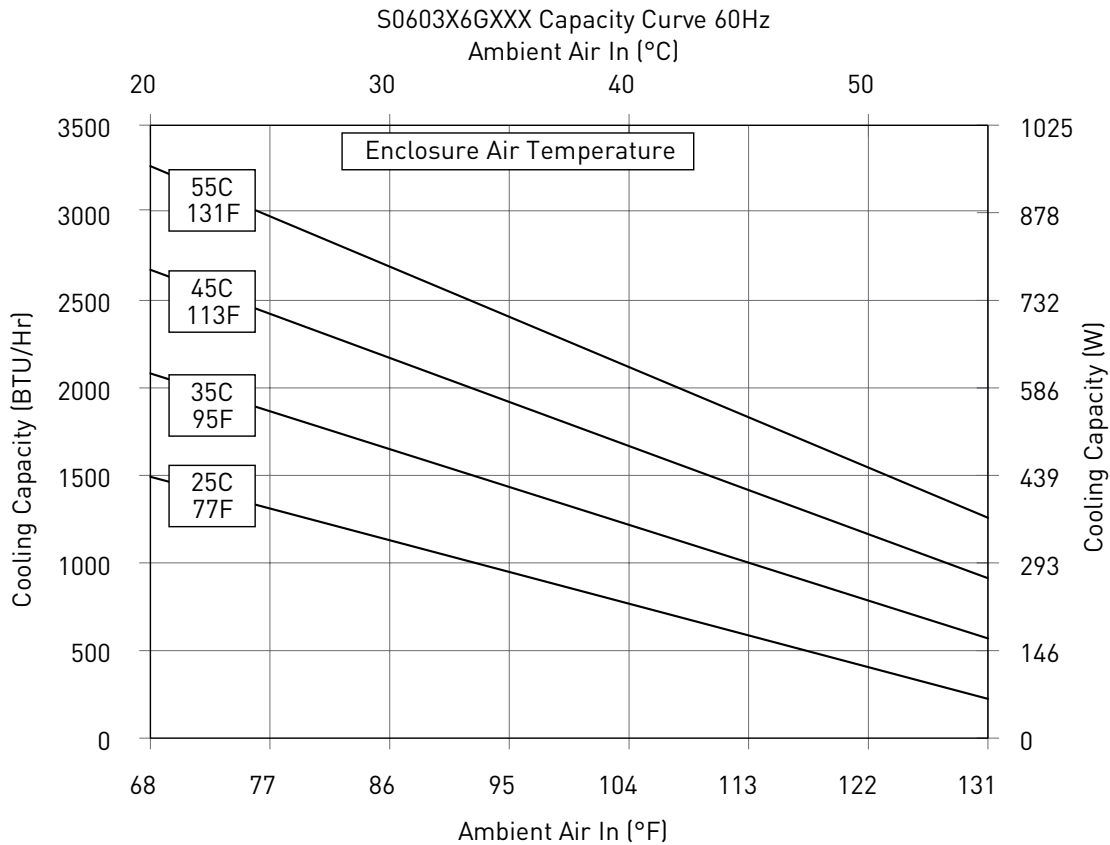
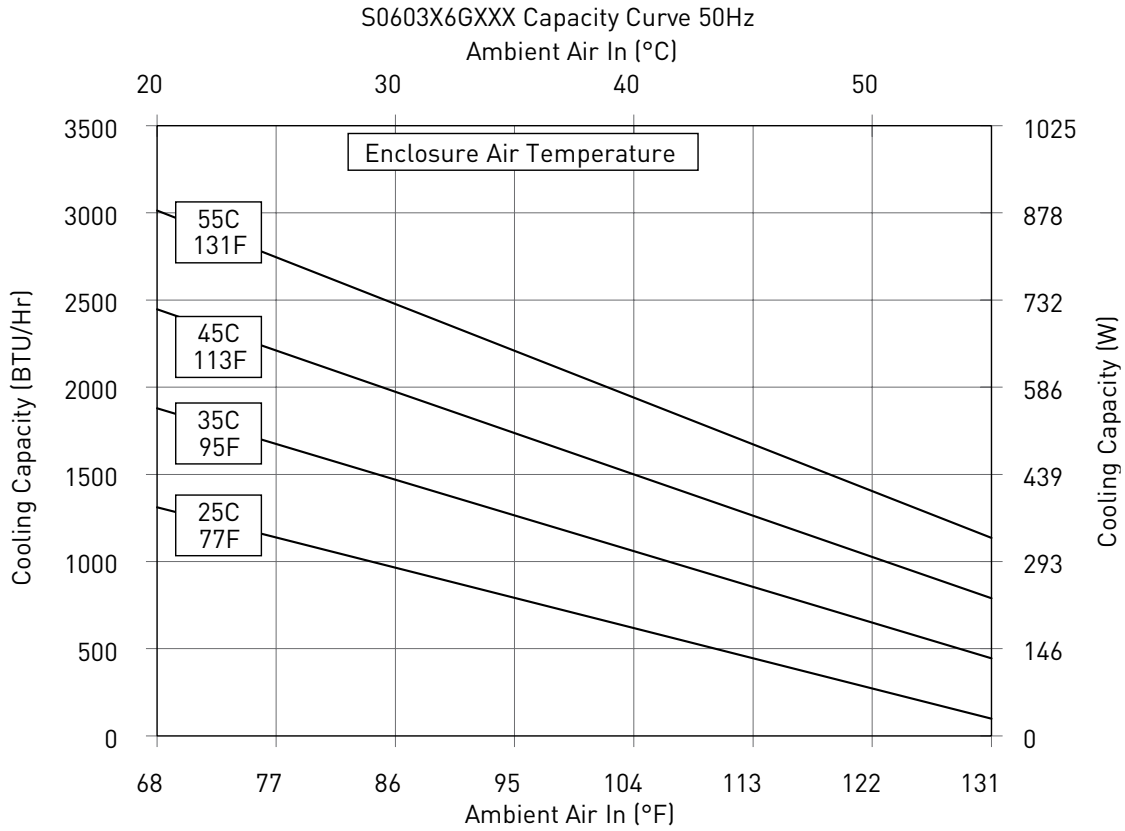


Performance Data **S06 1000/1700 BTU/Hr. (300/500 Watt)**

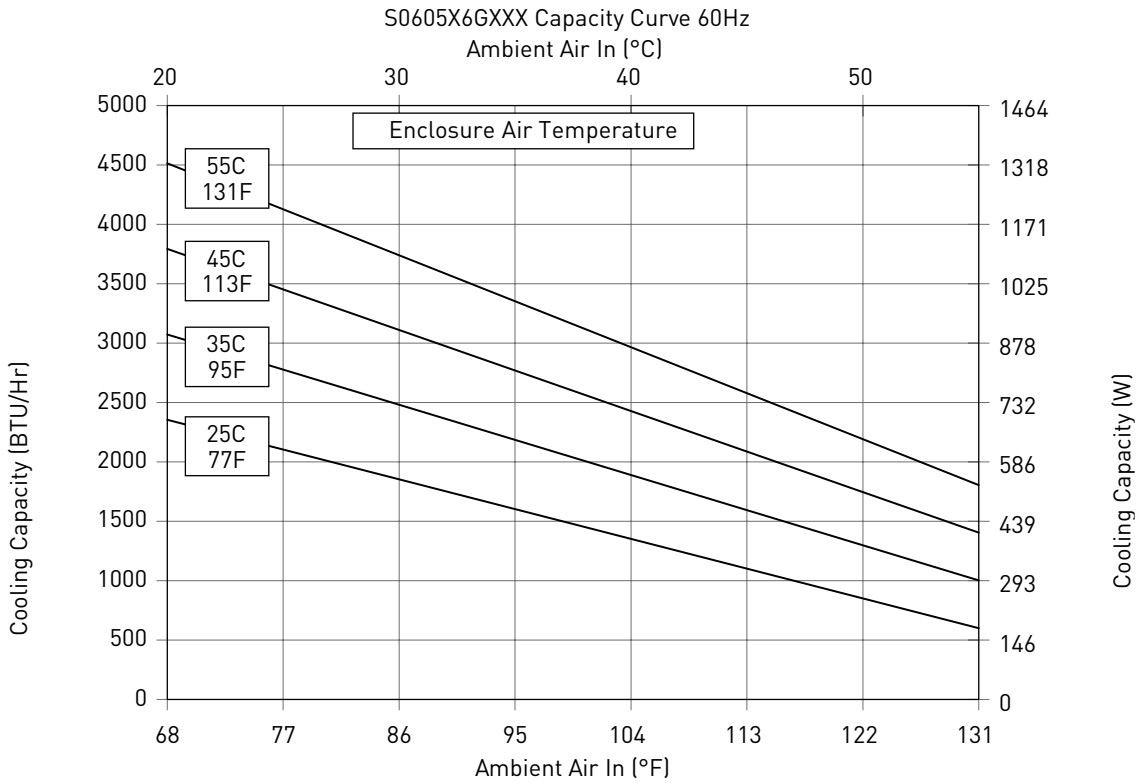
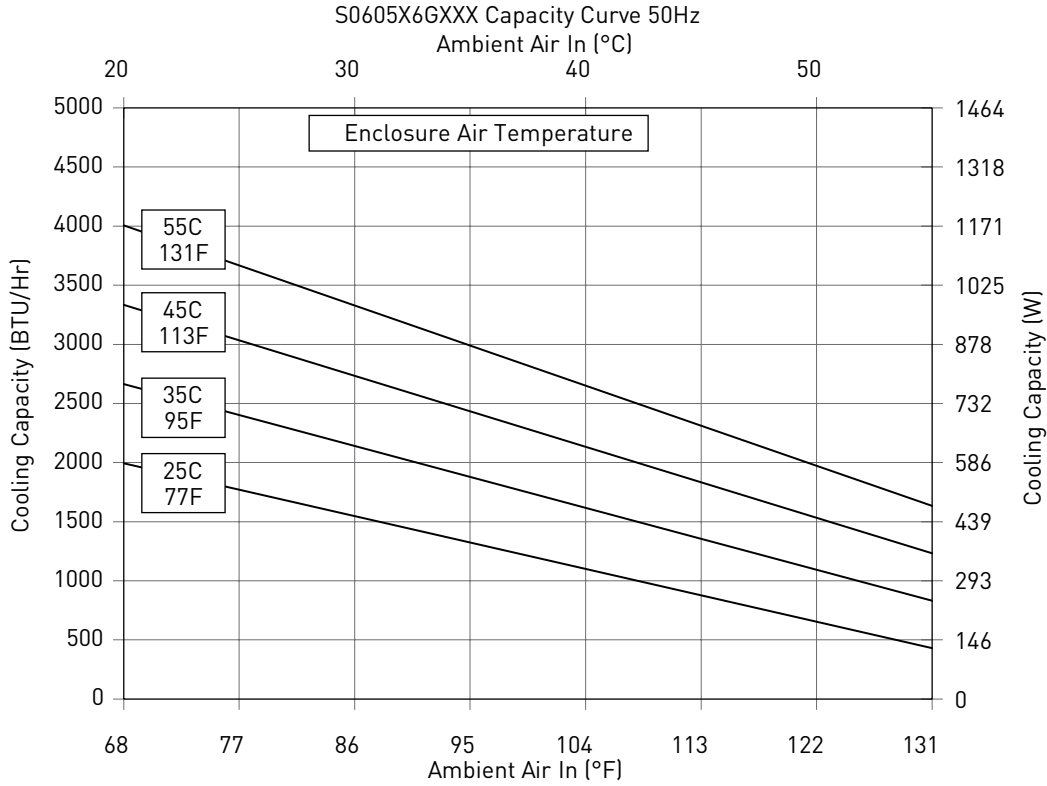
CATALOG NUMBER				
Indoor Model	S060316G050	S060326G050	S060516G050	S060526G050
Indoor Model with Remote Access Control*	S060316G060	S060326G060	S060516G060	S060526G060
COOLING PERFORMANCE				
Nominal:				
BTU/Hr.	1000	1000	1700	1700
Watts	300	300	500	500
At 95 F / 95 F (35 C / 35 C)				
BTU/Hr. (50/60 Hz)	1260/1430	1260/1430	1880/2190	1880/2190
W (50/60 Hz)	370/420	370/420	550/640	550/640
Refrigerant	R134a	R134a	R134a	R134a
Refrigerant Charge (ounces/grams)	4.7/133	4.5/128	5.7/162	5.7/162
Operating Temperature Range:				
Maximum (°F/°C)	125/52 (50 Hz) 131/55 (60 Hz)	131/55	131/55	131/55
Minimum (°F/°C)	50/10	50/10	50/10	50/10
Air Flow at 0 Static Pressure:				
Internal loop 50 Hz (CFM / m ³ /hr.)	64/109	64/109	116/197	116/197
External loop 50 Hz (CFM / m ³ /hr.)	76/129	76/129	111/189	111/189
Internal loop 60 Hz (CFM / m ³ /hr.)	73/124	73/124	137/233	137/233
External loop 60 Hz (CFM / m ³ /hr.)	92/156	92/156	129/219	129/219
ELECTRICAL DATA				
Rated Voltage	110 / 115	230	115	230
Frequency (Hz)	50/60	50/60	50/60	50/60
Operating Range	+/-10%	+/-10%	+/-10%	+/-10%
Max. Power Consumption (W)	270/300	300/320	450/470	450/480
Max. Nominal Current (A)	4.0/3.8	1.8/1.7	6.5/6.1	2.6/2.9
Starting Current (A)	13/13	6/6	21/20	9/10
Agency Approvals	UL/cUL Listed, CE, EAC			
Power Input Description	Terminal Block	Terminal Block	Terminal Block	Terminal Block
ENCLOSURE PROTECTION				
UL Type	Type 12			
International Rating	IP54 internal loop IP34 external loop			
CONTROLLER				
Description	Smart controller with display			
Thermostat Location	Ambient Side			
Factory Thermostat Setting (°F/°C)	95 / 35			
SOUND LEVEL				
At 1.5 Meters	65 dB(A)	65 dB(A)	66 dB(A)	66 dB(A)
UNIT CONSTRUCTION				
Material	Galvanized Sheet Metal Standard			
Finish	Powder Coat Semi-textured RAL 7035 Light Gray Standard			
UNIT DIMENSIONS				
Height (in./mm)	21.6 / 550			
Width (in./mm)	11.0 / 280			
Depth (in./mm)	5.5 / 140	5.5 / 140	8.1 / 206	8.1 / 206
Weight (lb./kg)	28 / 13	28 / 13	33 / 15	33 / 15

*Units with Remote Access Control utilize a digital controller and communicate via EtherNet/IP, Profinet, Modbus TCP/IP and SNMP over ethernet or modbus RTU over USB.

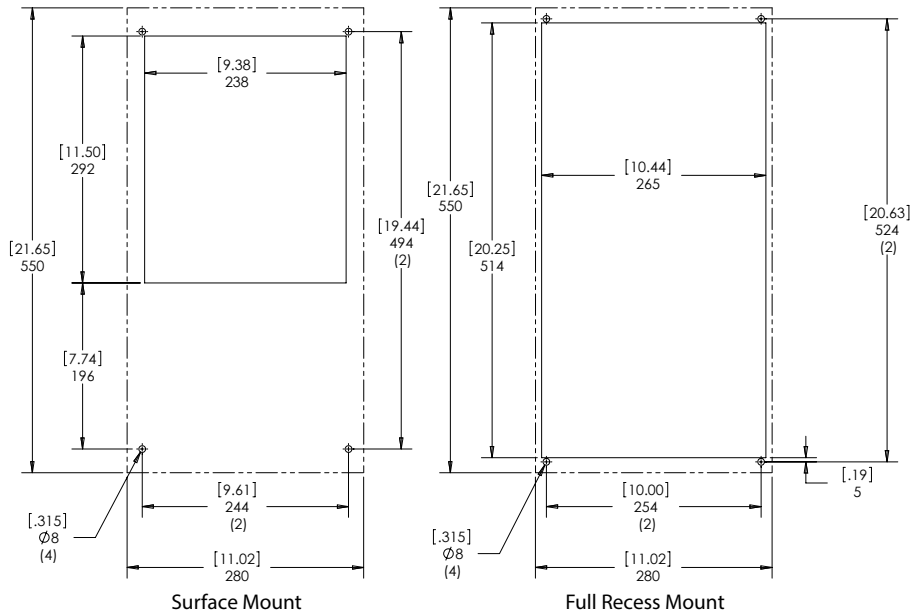
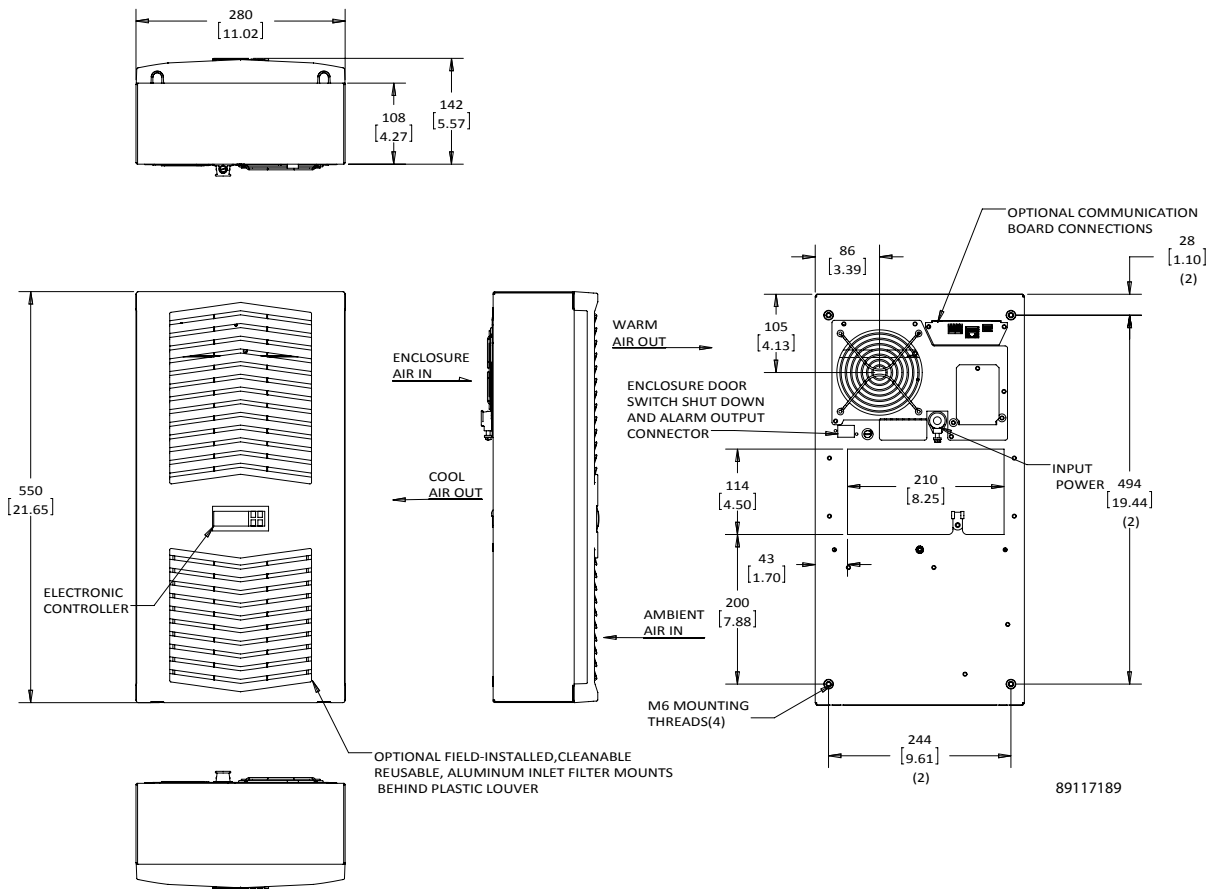
Performance Curves for S06 Models 1000 BTU/Hr. (300 Watt)



Performance Curves for S06 Models 1700 BTU/Hr. (500 Watt)

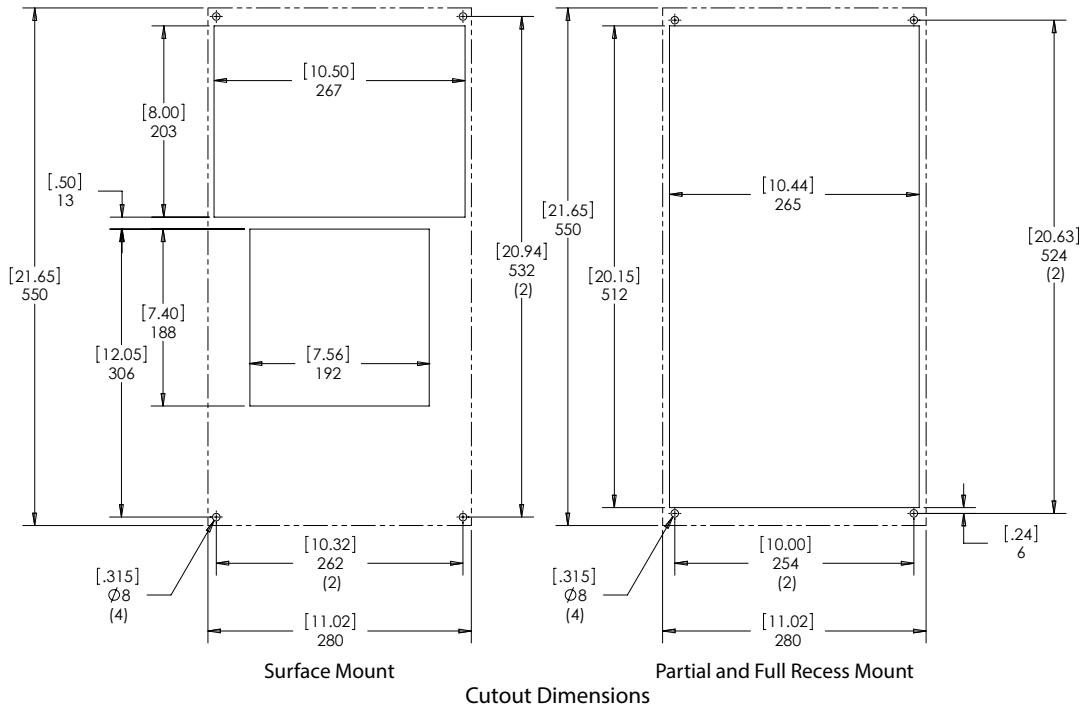
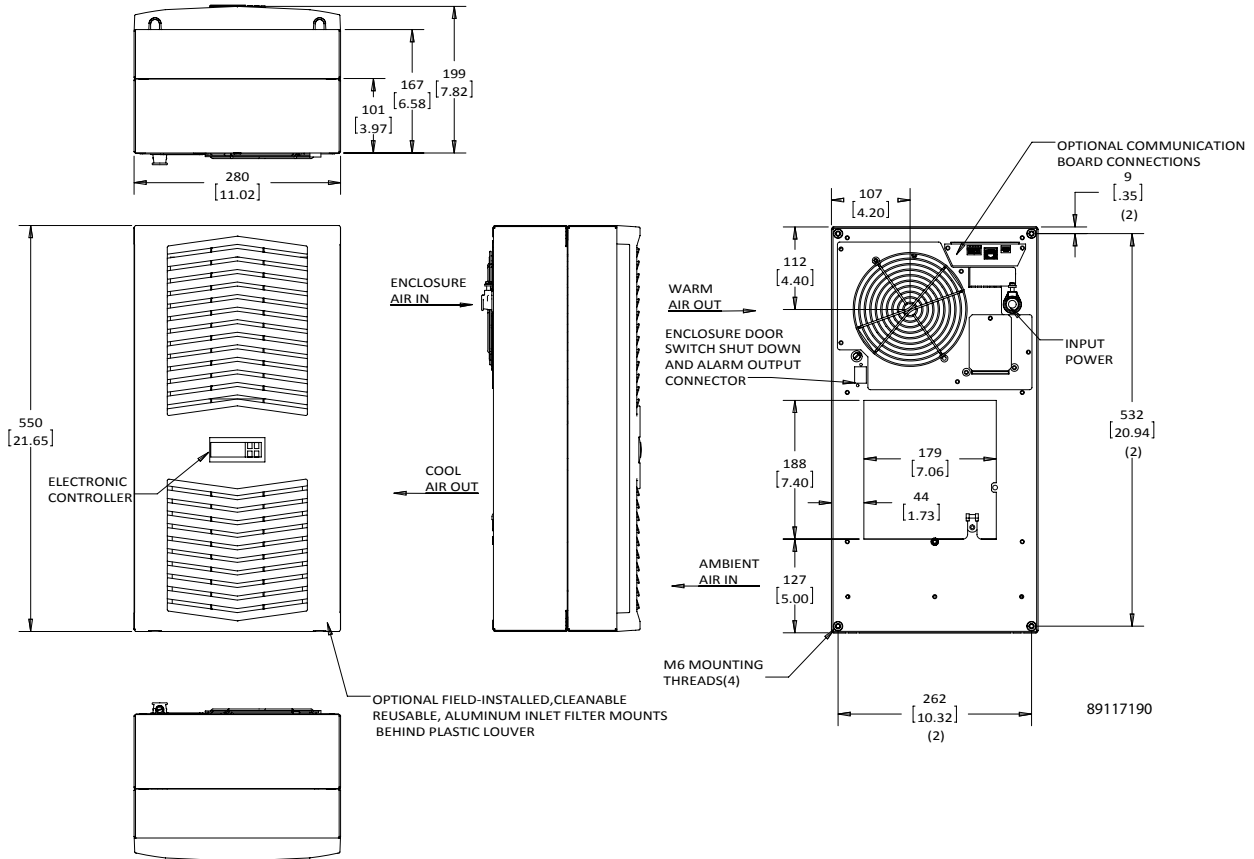


S06 Models 1000 BTU/Hr. (300 Watt)



Visit nVent.com/HOFFMAN to download 2D and 3D CAD drawings into the overall design of your electrical system.

S06 Models 1700 BTU/Hr. (500 Watt)



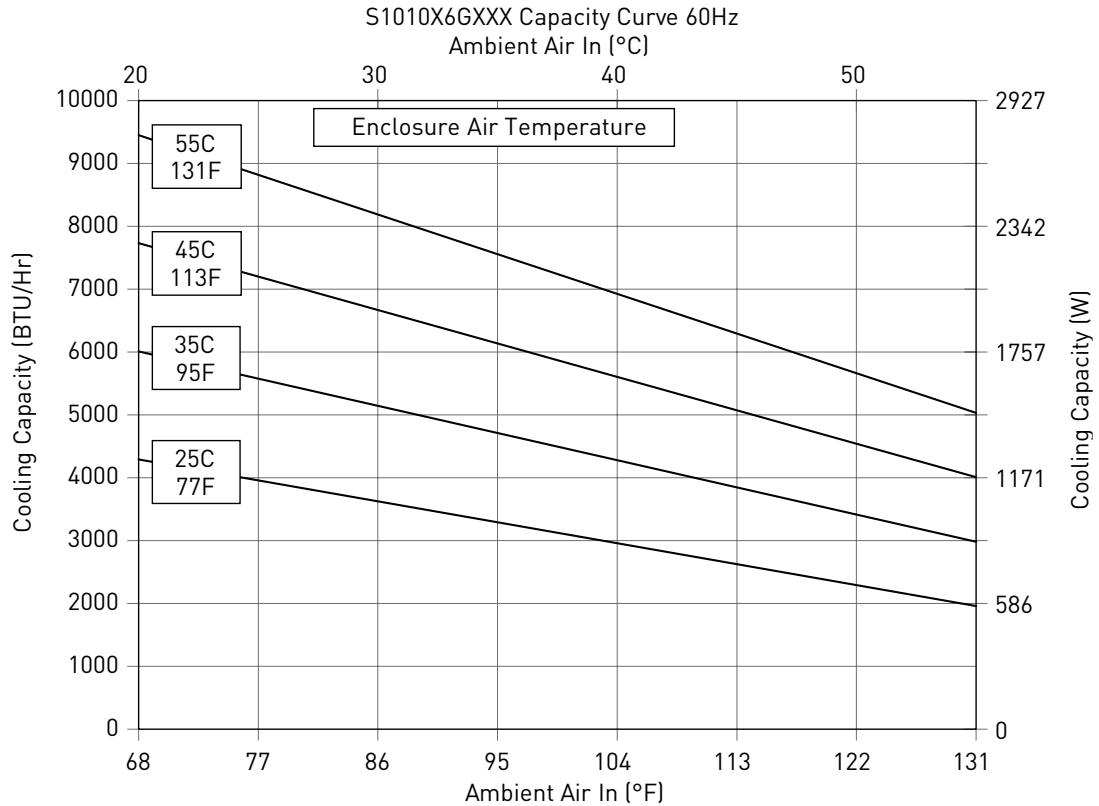
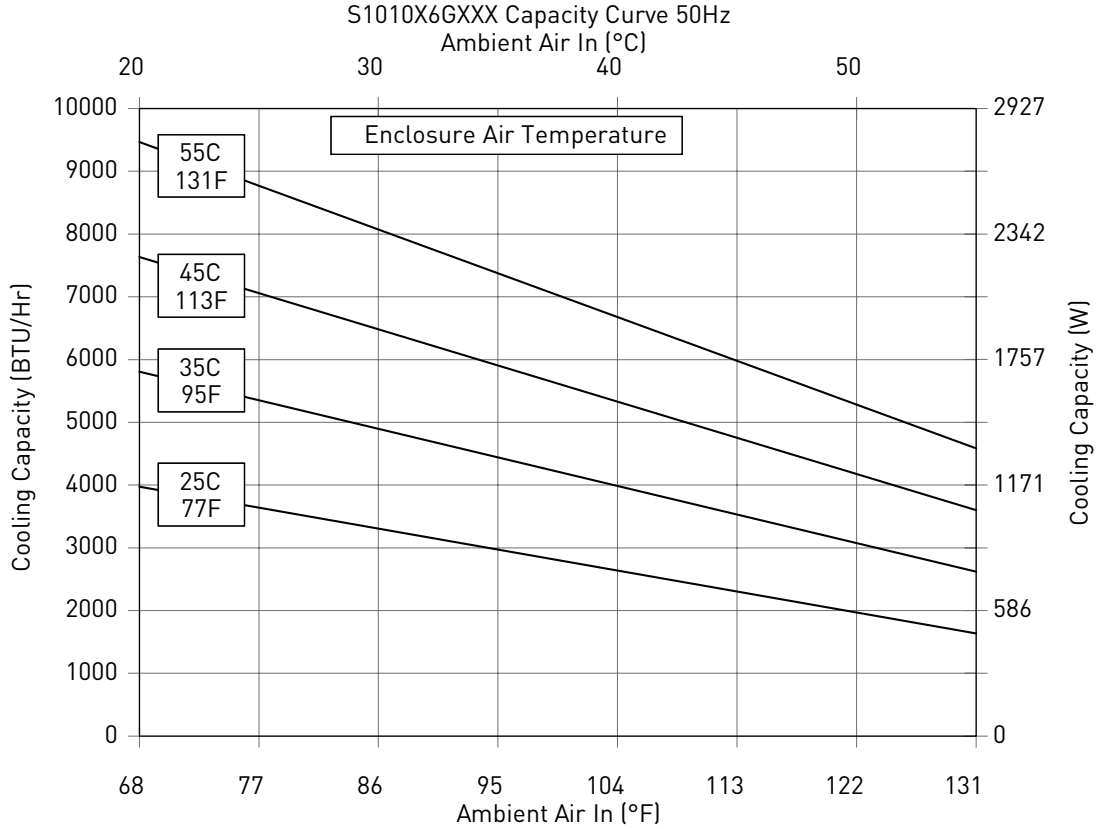
Visit nVent.com/HOFFMAN to download 2D and 3D CAD drawings into the overall design of your electrical system.

Performance Data **S10 3400/5000 BTU/Hr. (1000/1500 Watt)**

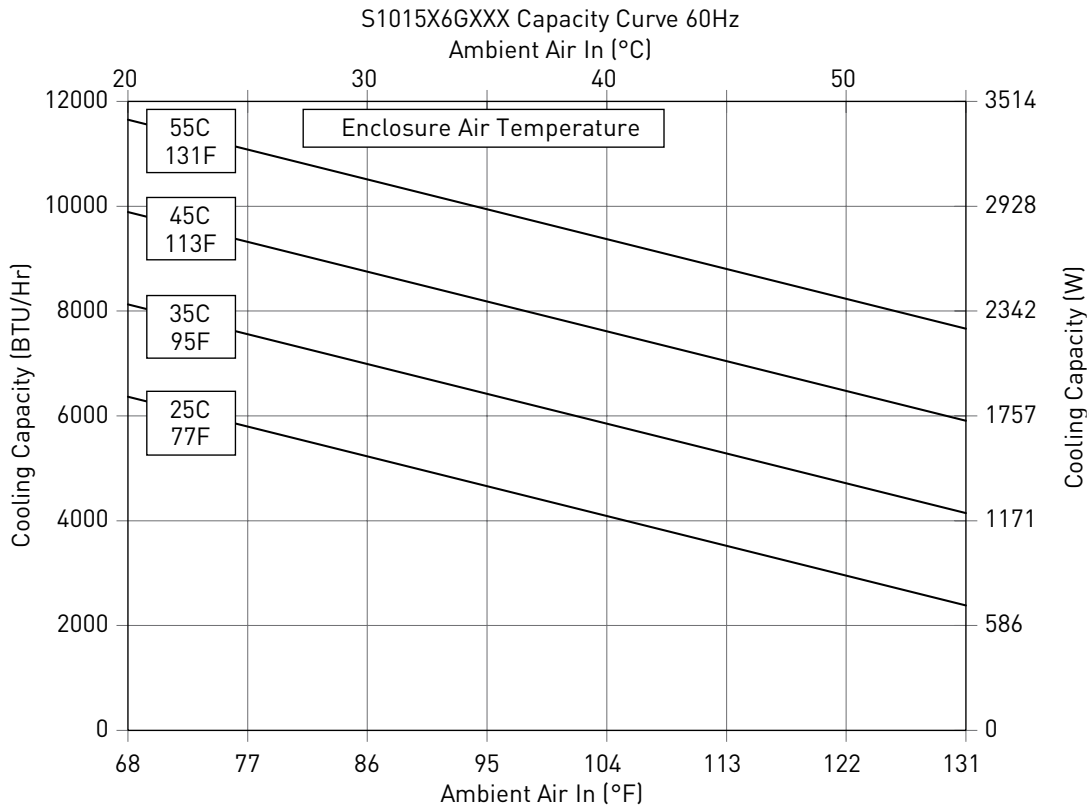
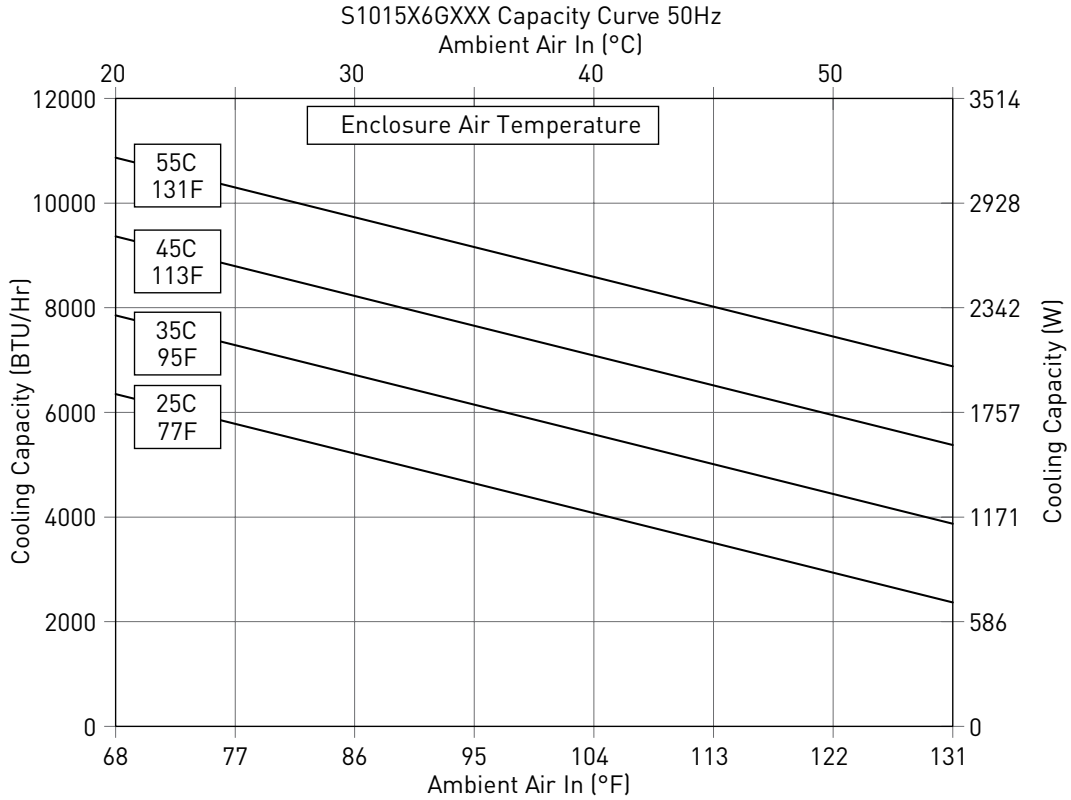

CATALOG NUMBER						
Indoor Model	S101016G050	S101026G050	S101046G050	S101516G050	S101526G050	S101546G050
Indoor Model with Remote Access Control*	S101016G060	S101026G060	S101046G060	S101516G060	S101526G060	S101546G060
COOLING PERFORMANCE						
Nominal:						
BTU/Hr.	3400	3400	3400	5000	5000	5000
Watts	1000	1000	1000	1500	1500	1500
At 95 F / 95 F (35 C / 35 C)						
BTU/Hr. (50/60 Hz)	4440/4710	4440/4710	4440/4710	6150/6420	6150/6420	6150/6420
W (50/60 Hz)	1300/1380	1300/1380	1300/1380	1800/1880	1800/1880	1800/1880
Refrigerant	R134a	R134a	R134a	R134a	R134a	R134a
Refrigerant Charge (ounces/grams)	10/283	10/283	10/283	15/425	15/425	18/510
Operating Temperature Range:						
Maximum (°F/°C)	131/55	131/55	131/55	131/55	131/55	131/55
Minimum (°F/°C)	50/10	50/10	50/10	50/10	50/10	50/10
Air Flow at 0 Static Pressure:						
Internal loop 50 Hz (CFM / m ³ /hr.)	206/350	206/350	206/350	201/342	201/342	201/342
External loop 50 Hz (CFM / m ³ /hr.)	334/567	334/567	334/567	339/576	339/576	339/576
Internal loop 60 Hz (CFM / m ³ /hr.)	230/391	230/391	230/391	230/391	230/391	230/391
External loop 60 Hz (CFM / m ³ /hr.)	344/584	344/584	344/584	341/579	341/579	341/579
ELECTRICAL DATA						
Rated Voltage	115	230	400 / 460 1~	115	230	400 / 460 3~
Frequency (Hz)	50/60	50/60	50/60	50/60	50/60	50/60
Operating Range	+/-10%	+/-10%	+/-10%	+/-10%	+/-10%	+/-10%
Max. Power Consumption (W)	810/1010	670/800	750/960	850/1040	850/1040	930/1130
Max. Nominal Current (A)	9.6/10.2	4.1/5.5	2.1/2.4	9.6/10.2	5.1/6.7	2.1/2.4
Starting Current (A)	32/34	14/18	7/8	32/34	17/22	7/8
Agency Approvals	UL/cUL Listed, CE, EAC					
Power Input Description	Terminal Block	Terminal Block	Terminal Block	Terminal Block	Terminal Block	Terminal Block
ENCLOSURE PROTECTION						
UL Type	Type 12					
International Rating	IP54 internal loop IP34 external loop					
CONTROLLER						
Description	Smart controller with display					
Thermostat Location	Ambient Side					
Factory Thermostat Setting (°F/°C)	95 / 35					
SOUND LEVEL						
At 1.5 Meters	69 dB(A)	69 dB(A)	69 dB(A)	70dB(A)	70dB(A)	70dB(A)
UNIT CONSTRUCTION						
Material	Galvanized Sheet Metal Standard					
Finish	Powder Coat Semi-textured RAL 7035 Light Gray Standard					
UNIT DIMENSIONS						
Height (in./mm)	37.4 / 950					
Width (in./mm)	15.7 / 400					
Depth (in./mm)	10.2 / 259					
Weight (lb./kg)	86/39	86/39	99/45	95/43	95/43	95/43

*Units with Remote Access Control utilize a digital controller and communicate via EtherNet/IP, Profinet, Modbus TCP/IP and SNMP over ethernet or modbus RTU over USB.

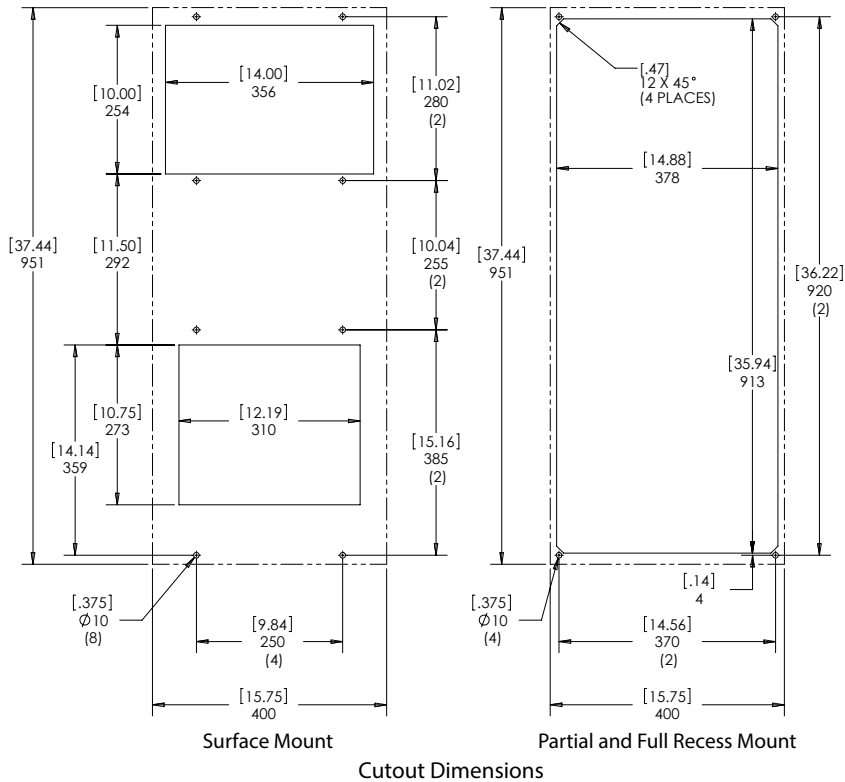
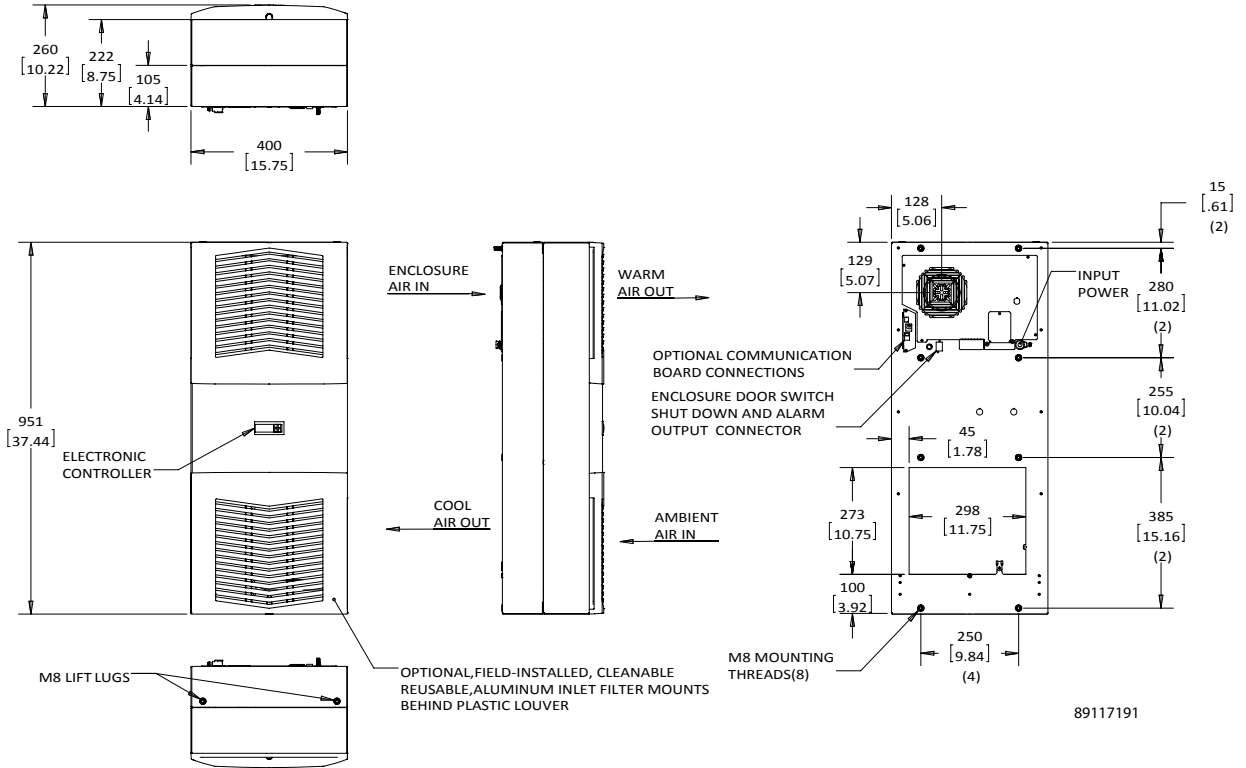
Performance Curves for S10 Models 3400 BTU/Hr. (1000 Watt)



Performance Curves for S10 Models 5000 BTU/Hr. (1500 Watt)



S10 Models 3400/5000 BTU/Hr. (1000/1500 Watt)



Visit nVent.com/HOFFMAN to download 2D and 3D CAD drawings into the overall design of your electrical system.



Performance Data **S16 6800/8500/13500 BTU/Hr. (2000/2500/4000 Watt)**

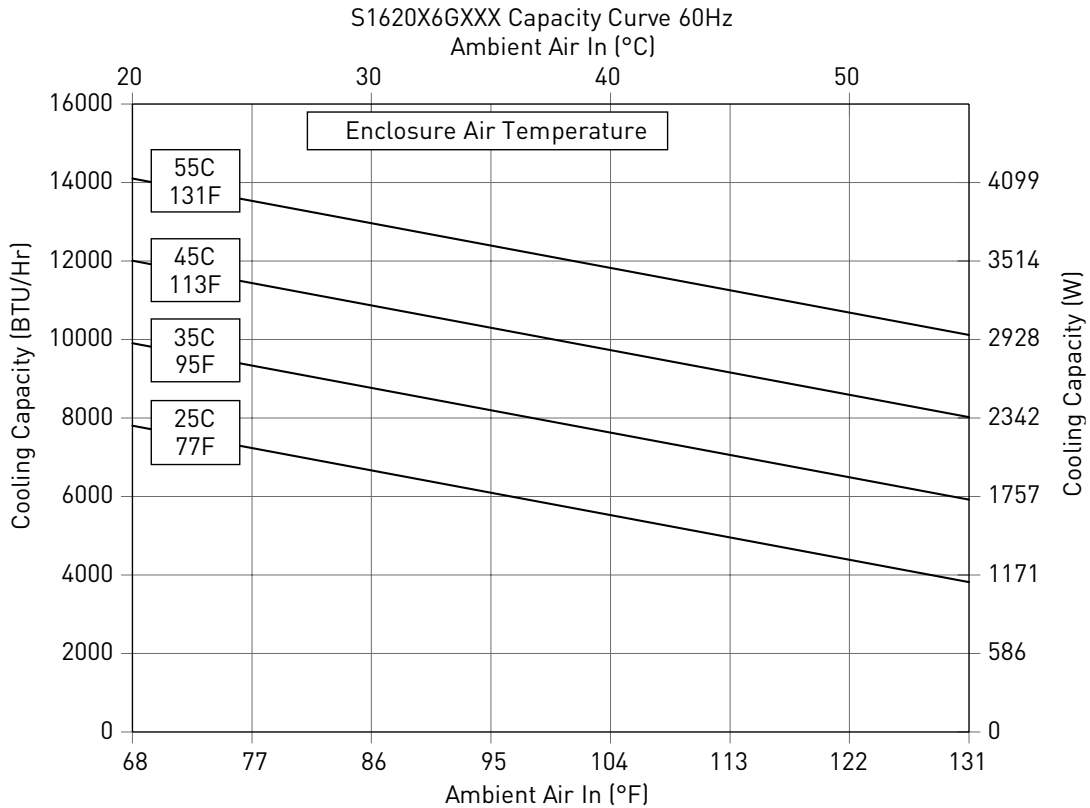
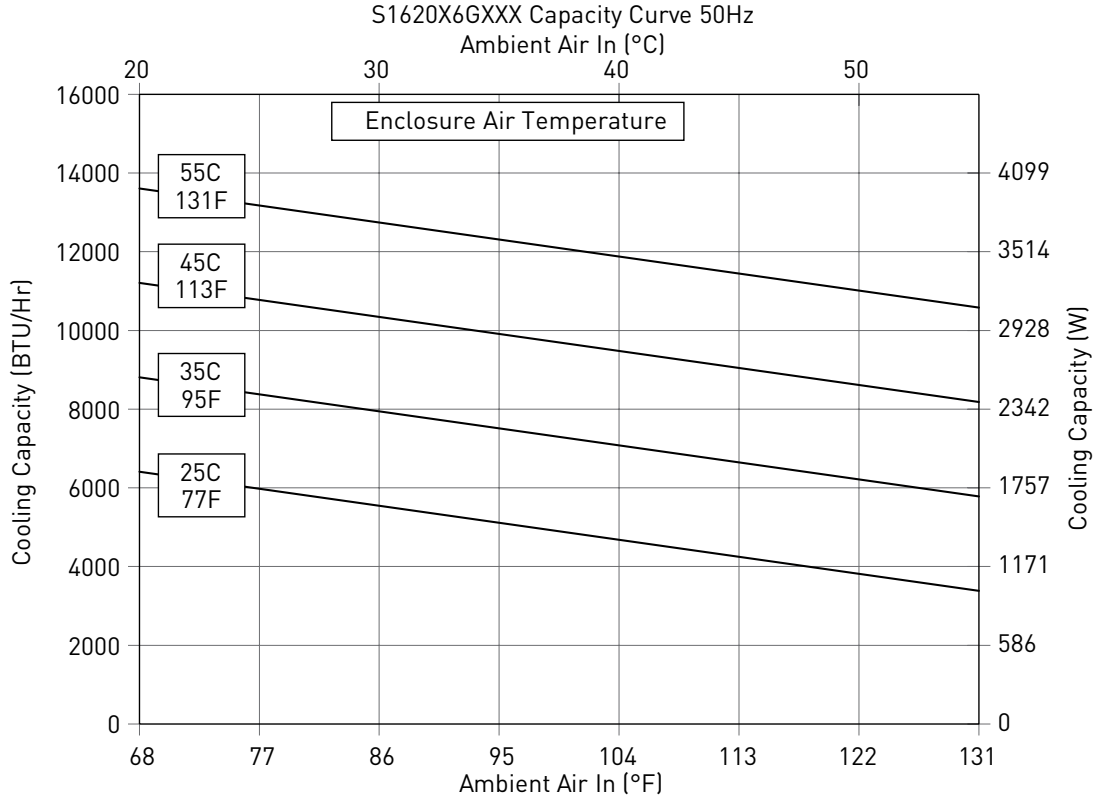


CATALOG NUMBER							
Indoor Model	S162016G050	S162026G050	S162046G050	S162516G050	S162526G050	S162546G050	S164046G050
Indoor Model with Remote Access Control*	S162016G060	S162026G060	S162046G060	S162516G060	S162526G060	S162546G060	S164046G060
COOLING PERFORMANCE							
Nominal:							
BTU/Hr.	6800	6800	6800	8500	8500	8500	13500
Watts	2000	2000	2000	2500	2500	2500	4000
At 95 F / 95 F (35 C / 35 C)							
BTU/Hr. (50/60 Hz)	7510/8200	7510/8200	7510/8200	9150/9560	9150/9560	9150/9560	13700/15400
W (50/60 Hz)	2200/2400	2200/2400	2200/2400	2680/2800	2680/2800	2680/2800	4000/4500
Refrigerant	R134a	R134a	R134a	R134a	R134a	R134a	R134a
Refrigerant Charge (ounces/grams)	25/709	25/709	25/709	26/737	26/737	30/850	44/1247
Operating Temperature Range:							
Maximum (°F/°C)	131/55	131/55	131/55	131/55	131/55	131/55	131/55
Minimum (°F/°C)	50/10	50/10	50/10	50/10	50/10	50/10	50/10
Air Flow at 0 Static Pressure:							
Internal loop 50 Hz (CFM / m ³ /hr.)	267/454	267/454	267/454	263/447	263/447	263/447	291/494
External loop 50 Hz (CFM / m ³ /hr.)	373/634	373/634	373/634	650/1104	650/1104	650/1104	630/1070
Internal loop 60 Hz (CFM / m ³ /hr.)	285/484	285/484	285/484	274/466	274/466	274/466	339/576
External loop 60 Hz (CFM / m ³ /hr.)	385/654	385/654	385/654	673/1143	673/1143	673/1143	697/1184
ELECTRICAL DATA							
Rated Voltage	115	230	400 / 460 3~	115	230	400 / 460 3~	400 / 460 3~
Frequency (Hz)	50/60	50/60	50/60	50/60	50/60	50/60	50/60
Operating Range	+/-10%	+/-10%	+/-10%	+/-10%	+/-10%	+/-10%	+/-10%
Max. Power Consumption (W)	930/1090	940/1140	900/1180	1230/1420	1320/1650	1150/1510	1790/2310
Max. Nominal Current (A)	11.1/12.5	5.7/7.2	2.2/2.6	16.1/16.9	8.0/10.1	3.2/3.4	4.2/4.4
Starting Current (A)	37/41	19/24	7/9	53/56	26/33	11/11	14/15
Agency Approvals	UL/cUL Listed, CE, EAC						
Power Input Description	Terminal Block	Terminal Block	Terminal Block	Terminal Block	Terminal Block	Terminal Block	Terminal Block
ENCLOSURE PROTECTION							
UL Type	Type 12						
International Rating	IP54 internal loop IP34 external loop						
CONTROLLER							
Description	Smart controller with display						
Thermostat Location	Ambient Side						
Factory Thermostat Setting (°F/°C)	95 / 35						
SOUND LEVEL							
At 1.5 Meters	67 dB(A)	67 dB(A)	67 dB(A)	71 dB(A)	71 dB(A)	71 dB(A)	70 dB(A)
UNIT CONSTRUCTION							
Material	Galvanized Sheet Metal Standard						
Finish	Powder Coat Semi-textured RAL 7035 Light Gray Standard						
UNIT DIMENSIONS							
Height (in./mm)				62.2/1580			
Width (in./mm)	15.7/400	15.7/400	15.7/400	15.7/400	15.7/400	15.7/400	19.7/500
Depth (in./mm)	11.6/295	11.6/295	11.6/295	11.6/295	11.6/295	11.6/295	13.4/340
Weight (lb./kg)	150/68	150/68	150/68	154/70	154/70	154/70	203/92

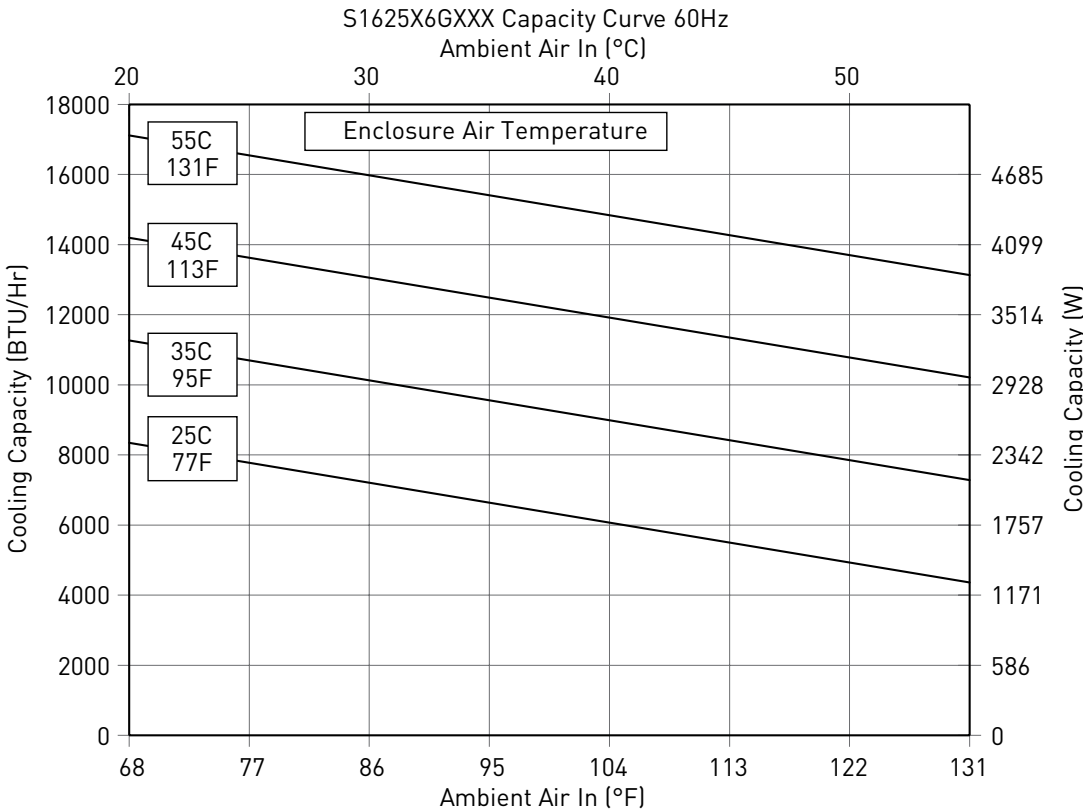
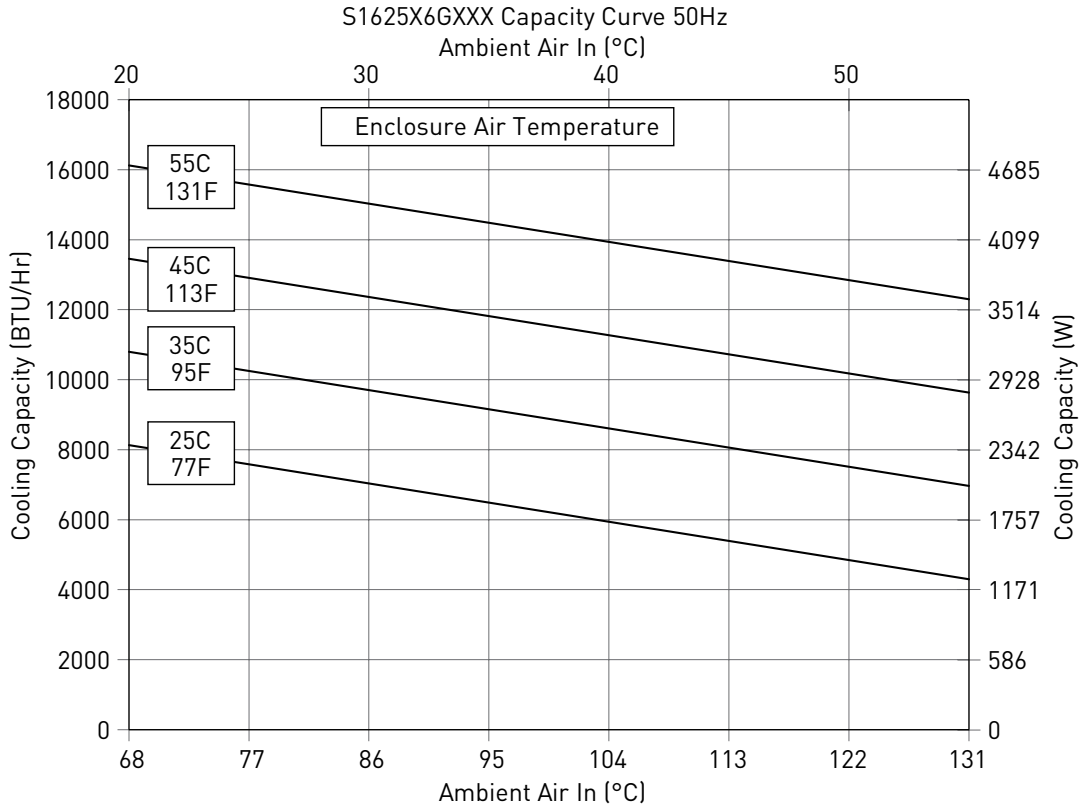
*Units with Remote Access Control utilize a digital controller and communicate via EtherNet/IP, Profinet, Modbus TCP/IP and SNMP over ethernet or modbus RTU over USB.

3

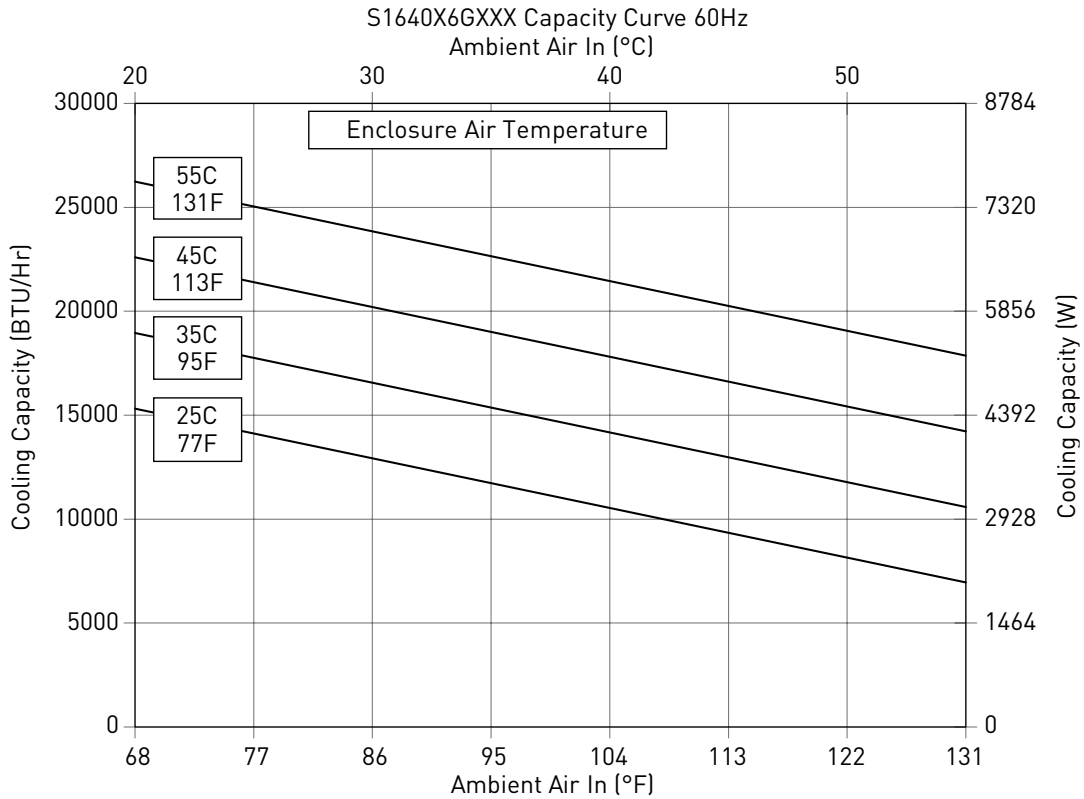
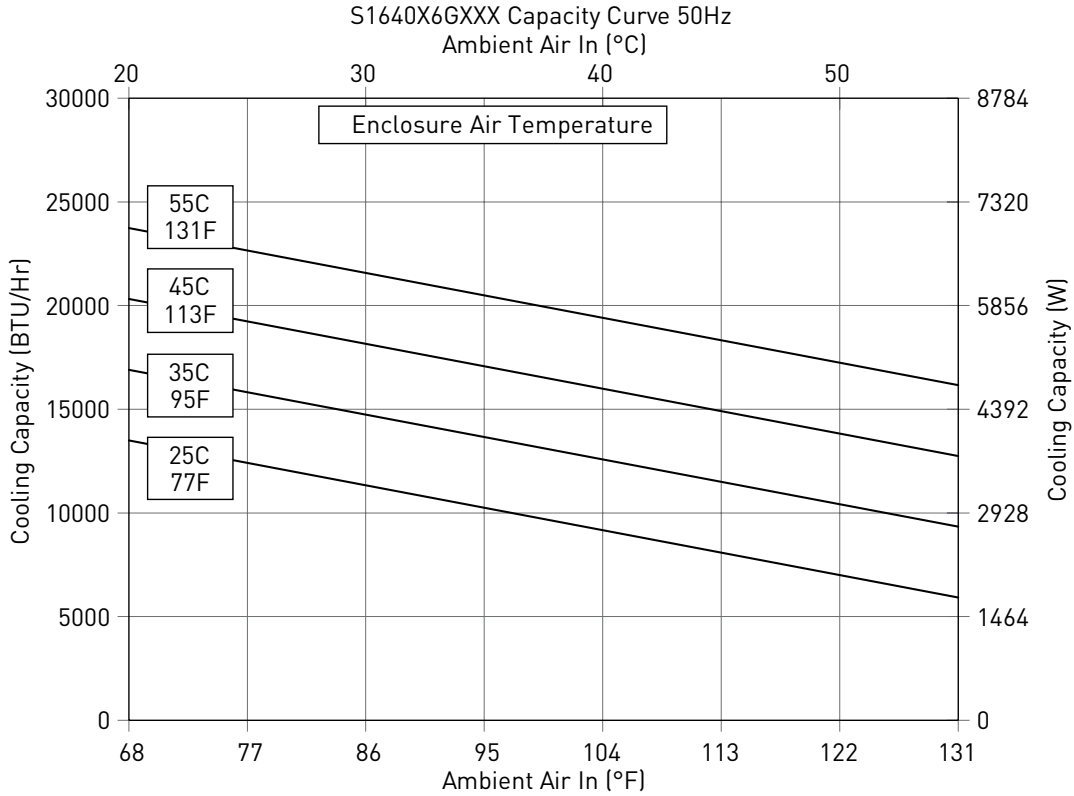
Performance Curves for S16 Models 6800 BTU/Hr. (2000 Watt)



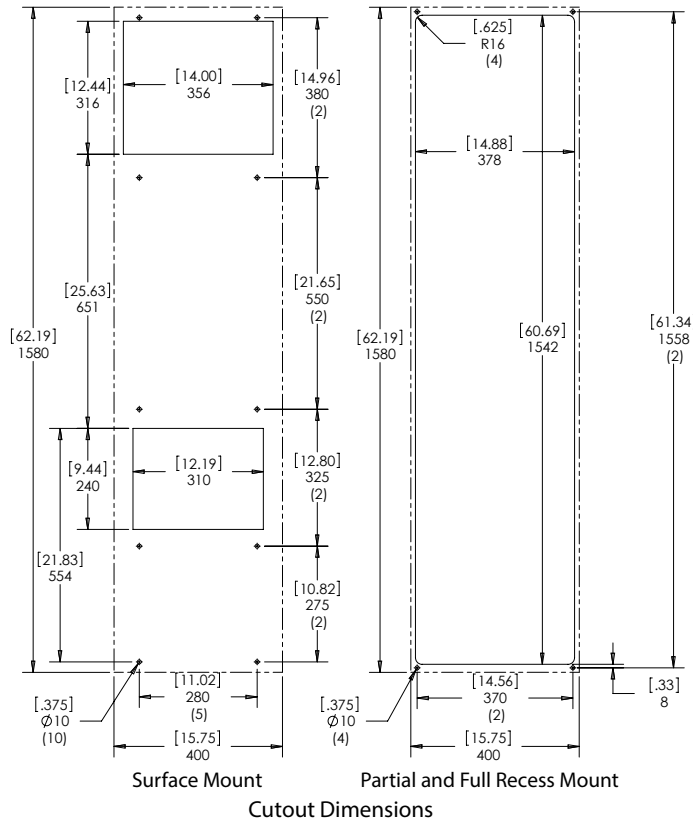
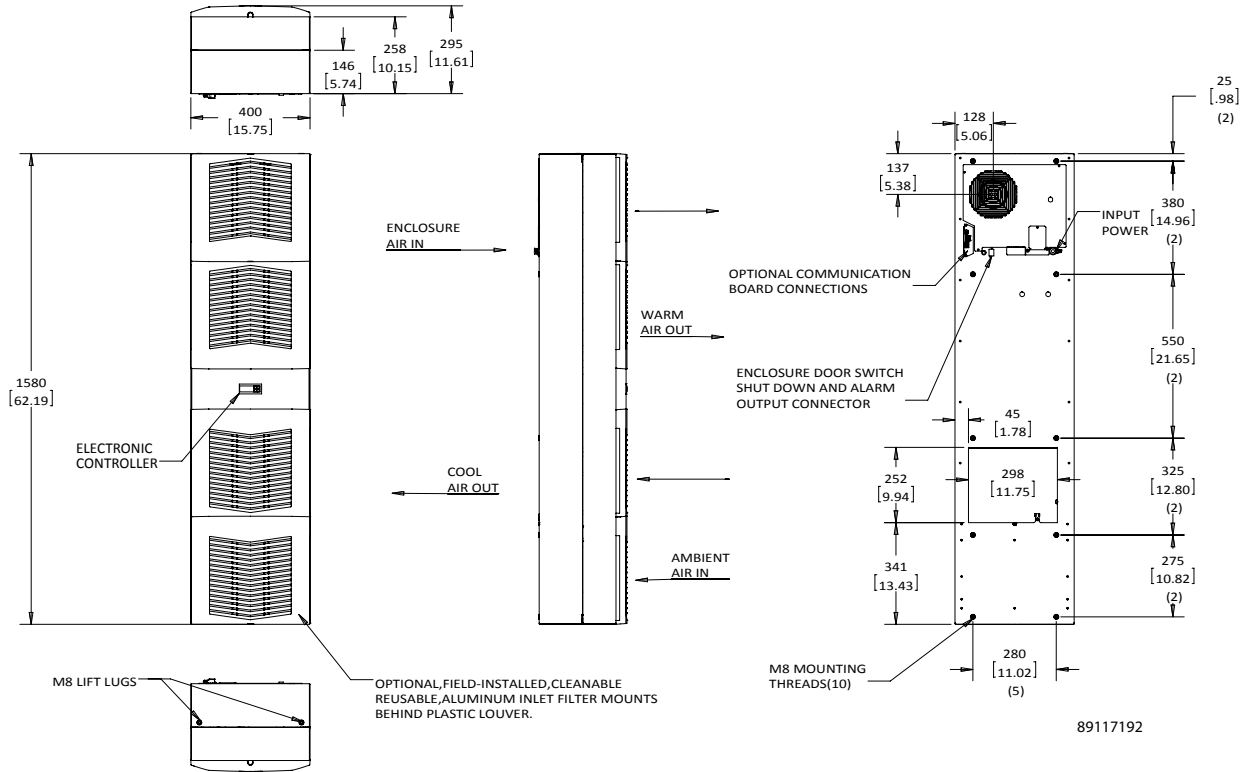
Performance Curves for S16 Models 8500 BTU/Hr. (2500 Watt)



Performance Curves for S16 Models 13500 BTU/Hr. (4000 Watt)

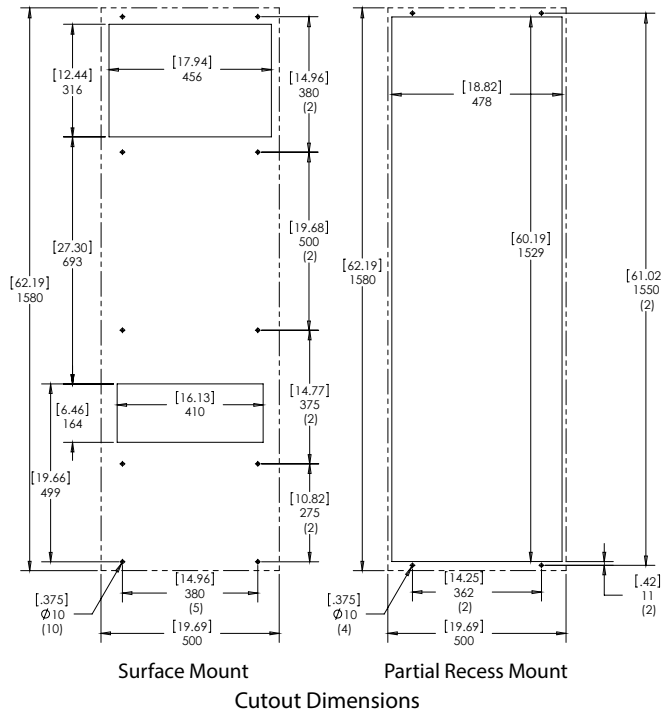
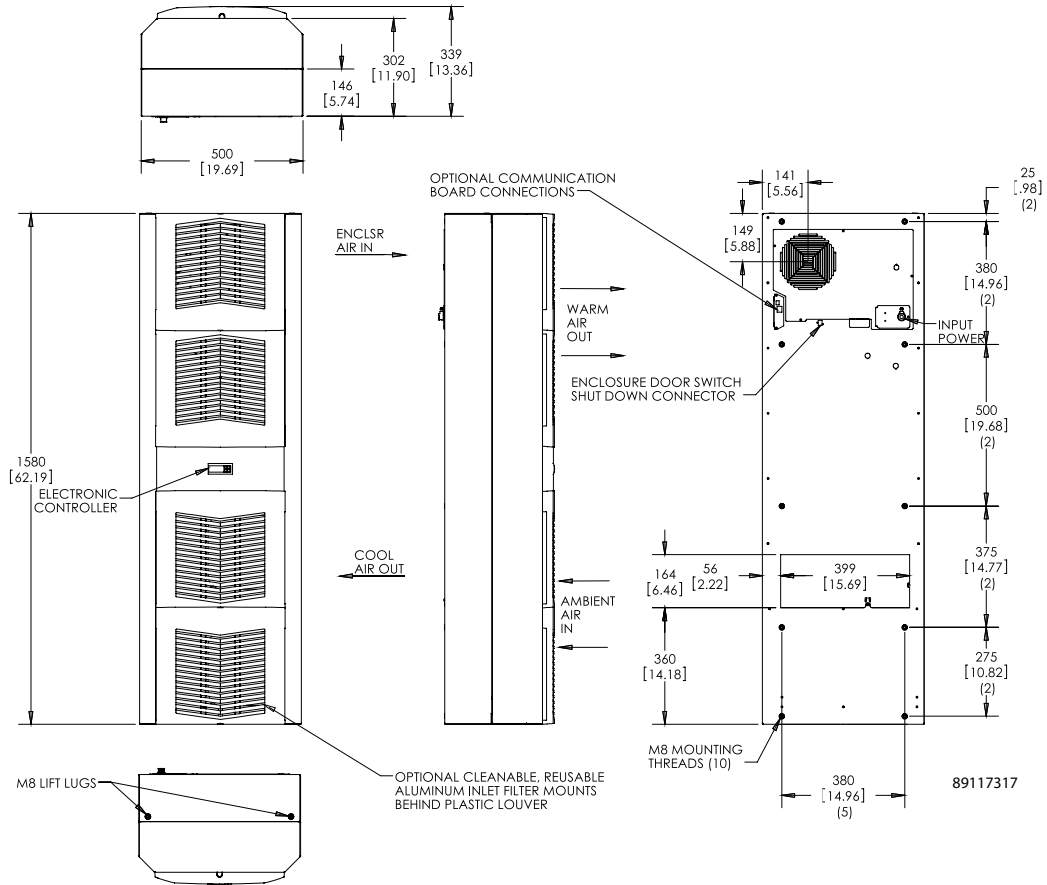


S16 Models 6800/8500 BTU/Hr. (2000/2500 Watt)



Visit nVent.com/HOFFMAN to download 2D and 3D CAD drawings into the overall design of your electrical system.

S16 Models 13500 BTU/Hr. (4000 Watt)



Visit nVent.com/HOFFMAN to download 2D and 3D CAD drawings into the overall design of your electrical system.

SPECTRACOOL NARROW COMPACT INDOOR



N16 115/230 Volt
800 BTU/Hr.
234 Watt

N21 115/230 Volt
2000 BTU/Hr.
586 Watt

INDUSTRY STANDARDS

UL/cUL Listed; Type 12, 3R, 4, 4X optional; File No. SA6453
UR/cUR Recognized on select models for N16 and N21

CE
IP 54 Internal Loop
IP 34 External Loop
EAC
Telcordia GR-487 capable
Reference performance data tables for agency approvals applied to each model.

APPLICATION

- Industrial automation
- Package handling equipment
- Security and defense systems

FEATURES

- Narrow design accommodates 12-in. deep cabinets
- R134a earth-friendly refrigerants
- Models for 115, 230 and 400/460 VAC power input
- UL Listed to save customers time and money with agency approvals
- Attractive industrial design with minimal use of visible fasteners
- Reliable mechanical thermostat is located behind the cover of the unit; Air Conditioner models include digital display on ambient side
- Galvanized sheet-metal cover for rugged factory environments
- Easy-mount flanges for simple installation
- Cutout adapter options for enclosures with GENESIS air conditioners enable users to easily transition to the new unit
- Dust-resistant condenser coil allows the unit to be run filterless in most applications
- Cleanable, reusable aluminum mesh filter protects coils for maximum cooling performance
- Mounting hardware, gaskets and user manual furnished with the unit
- Every unit functionally tested before shipping
- Standard Indoor Air Conditioner models also include:
 - Active condensate management
 - Power-off relay for door switch and other system requirements
 - Malfunction switch

SPECIFICATIONS

- Nominal cooling capacity:
 - N16 800 BTU/Hr. (234 W)
 - N21 2000 BTU/Hr. (586 W)
- Operating temperature range from 50 F/10 C to 125 F/52 C

FINISH

- RAL 7035 light-gray, semi-textured powder-coat paint
- Other colors and textures available



Performance Data **N16 800 BTU/Hr. (234 Watt) Models**

CATALOG NUMBER		
Indoor Model	N160116G050	N160126G050
Indoor Model Stainless Steel Type 4X	N160116G051	N160126G051
Indoor Model with Remote Access Control*	N160116G060	N160126G060
COOLING PERFORMANCE		
Nominal:		
BTU/Hr.	800/800	800/900
Watts	235/235	235/264
At 131 F/131 F (55 C/55 C):		
BTU/Hr. (50/60 Hz)	819	920/960
W (50/60 Hz)	240	270/281
At 95 F/95 F (35 C/35 C):		
BTU/Hr. (50 /60 Hz)	948	810/955
W (50/60 Hz)	278	237/280
Refrigerant	R134A	R134A
Refrigerant Charge (ounces/grams)	4/113	3.8/107
Operating Temperature Range:		
Maximum (°F/°C)	131/55	125/131/52/55
Minimum (°F/°C)	-40/-40	-40/-40
Airflow at 0 Static Pressure:		
Internal loop 50 Hz (CFM / m ³ /hr.)	25/42	25/42
External loop 50 Hz (CFM / m ³ /hr.)	48/82	48/82
Internal loop 60 Hz (CFM / m ³ /hr.)	30/51	30/51
External loop 60 Hz (CFM / m ³ /hr.)	53/90	53/90
Max. Heater W (Outdoor Models)	150	150
ELECTRICAL DATA		
Rated Voltage	100/115	220/230
Frequency (Hz)	50/60	50/60
Operating Range	+/- 10%	+/- 10%
Max. Power Consumption (W at 50/60 Hz)	360/403	330/345
Max. Nominal Current (A at 50/60 Hz)	3.6/3.5	1.5/1.5
Starting Current (A)	8.0/9.2	3.3/3.1
Agency Approvals	cUL Listed CE EAC Others available upon request	
Power Input Description	Terminal Block	Terminal Block
ENCLOSURE PROTECTION		
UL Type	Type 12, 3R, 4 standard Type 4X Stainless steel optional	
CONTROLLER		
Description	Basic mechanical thermostat	
Thermostat Location	Enclosure behind front panel	
Factory Thermostat Setting (°F/°C)	80/27	
SOUND LEVEL		
At 1.5 Meters	63 dB(A)	
UNIT CONSTRUCTION		
Material	Galvanized sheet metal standard Stainless steel optional	
Finish	RAL 7035 light-gray, semi-textured powder-coat paint standard	
UNIT DIMENSIONS		
Height (in./mm)	16.51/419	
Width (in./mm)	7.52/191	
Depth (in./mm)	6.30/160	
Weight (lb./kg)	27/12	

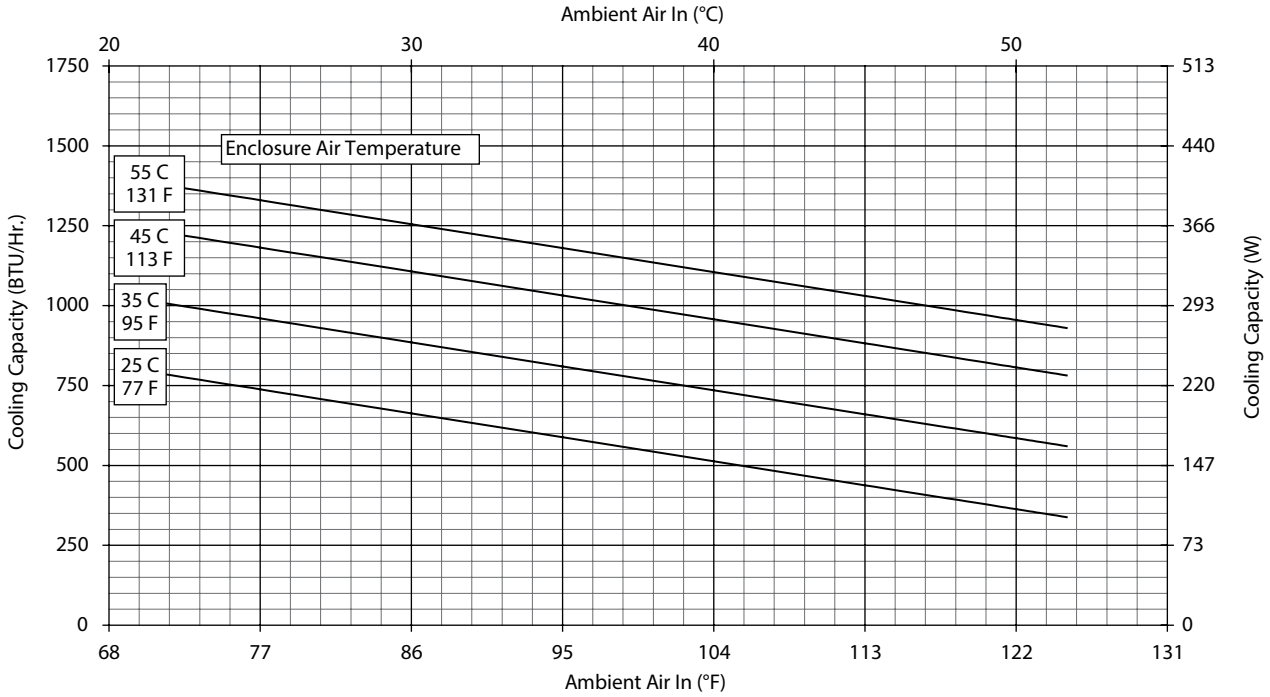


*Units with Remote Access Control utilize a digital controller and communicate via EtherNet/IP, Profinet, Modbus TCP/IP and SNMP over ethernet or modbus RTU over USB.

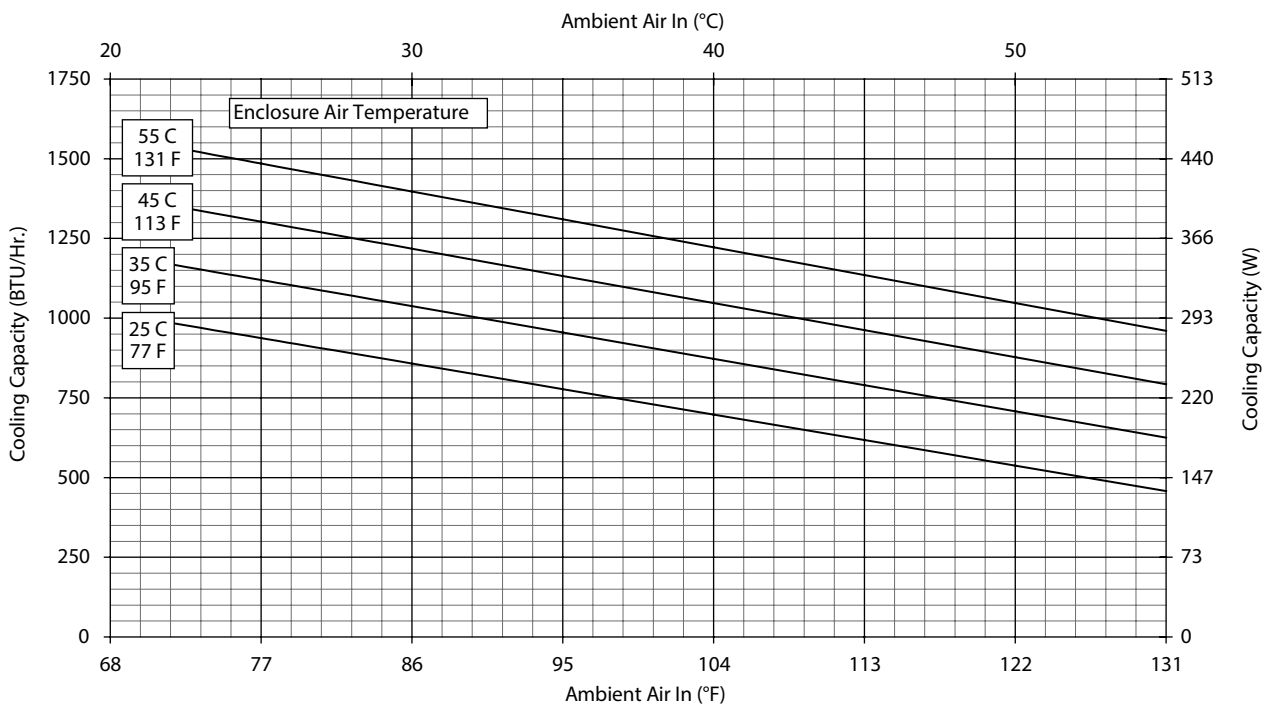
Performance Curves for N16 Models 800 BTU/Hr. (234 Watt)



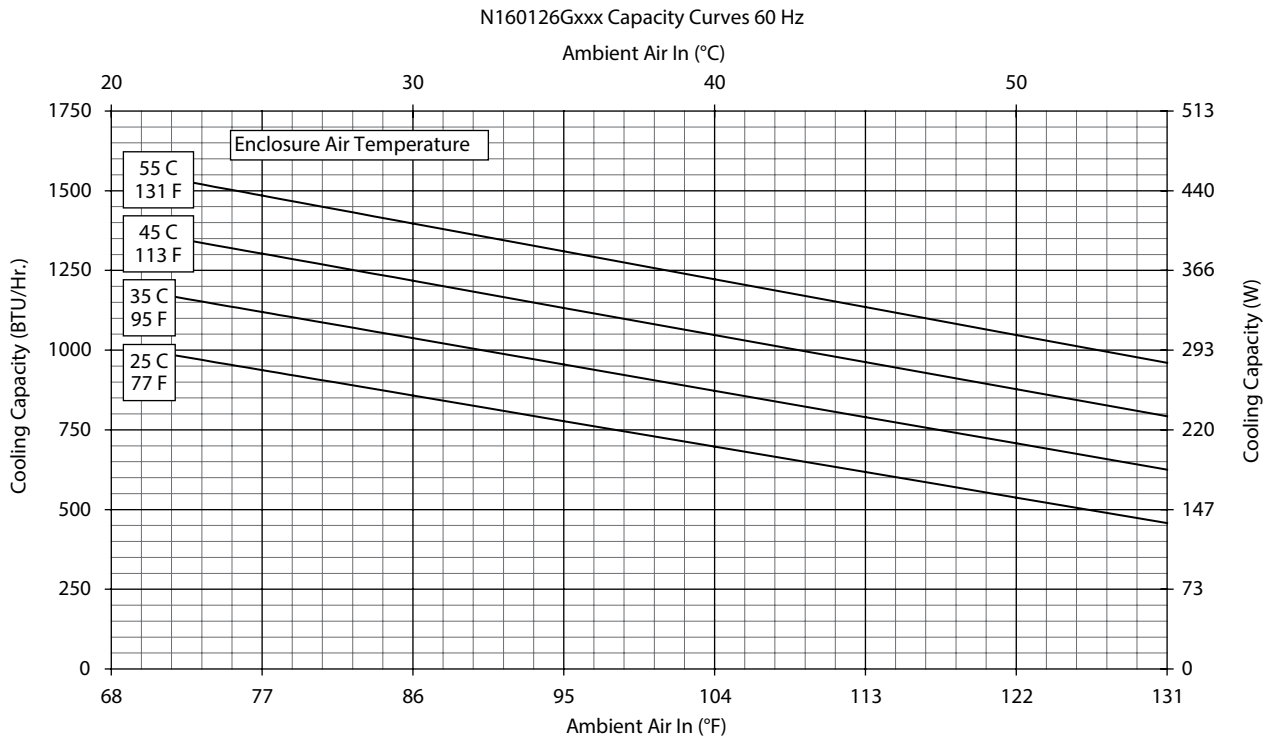
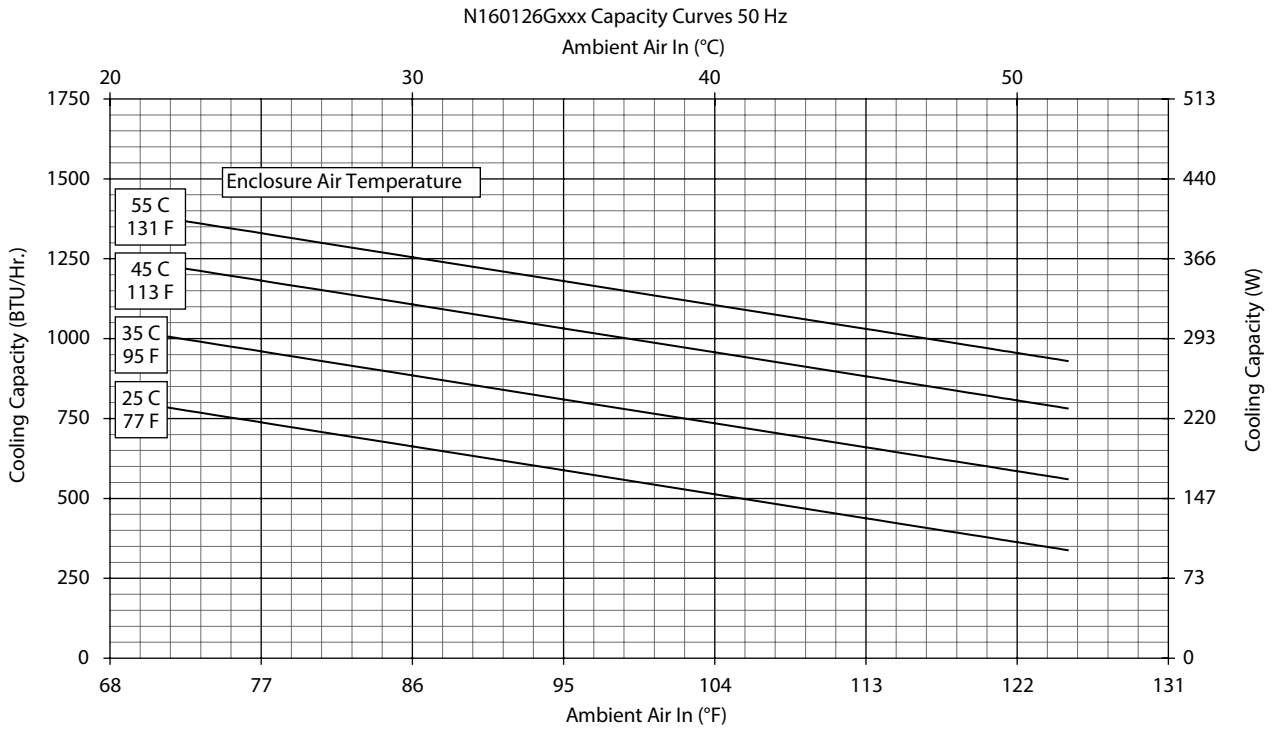
N160116Gxxx Capacity Curves 50 Hz



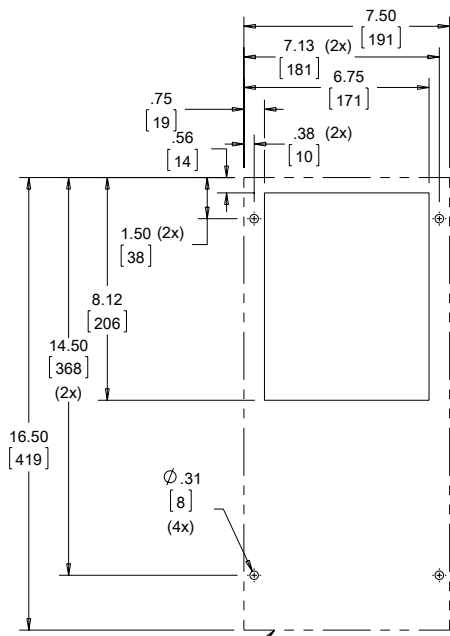
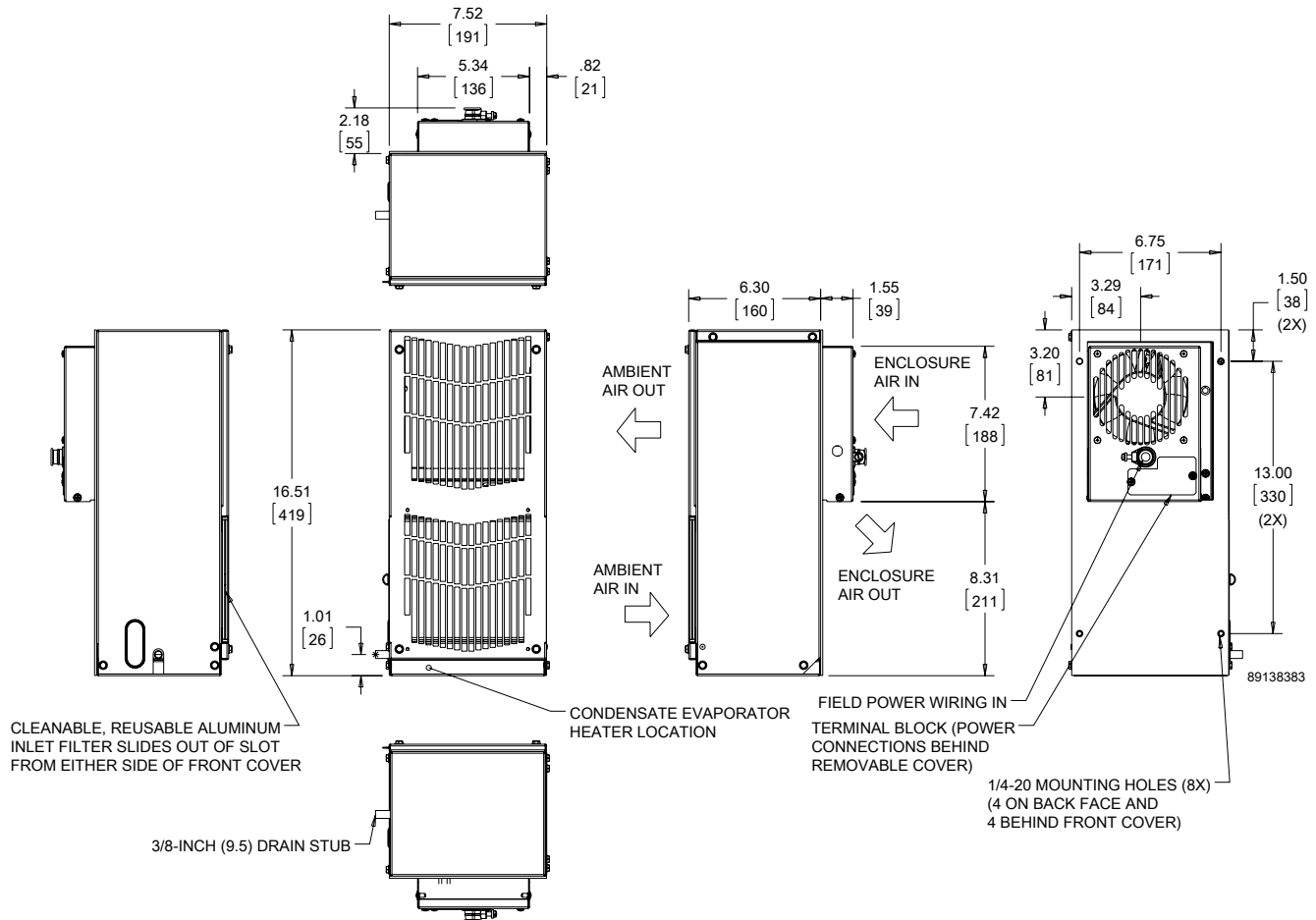
N160116Gxxx Capacity Curves 60 Hz



Performance Curves for N16 Models 800 BTU/Hr. (234 Watt)



N16 800 BTU/Hr. (234 Watt)



Cutout Dimensions (Externally Mounted)

Visit nVent.com/HOFFMAN to download 2D and 3D CAD drawings into the overall design of your electrical system.



Performance Data N21 2000 BTU/Hr. (586 Watt) Models

CATALOG NUMBER			
Indoor Model	N210216G050	N210226G050	N210246G050
Indoor Model Stainless Steel Type 4X	N210216G051	N210226G051	N210246G051
Indoor Model with Remote Access Control*	N210216G060	N210226G060	N210246G060
COOLING PERFORMANCE			
Nominal:			
BTU/Hr.	1800/2000	1800/2000	1800/2000
Watts	528/586	528/586	528/586
At 131 F/131 F (55 C/55 C):			
BTU/Hr. (50/60 Hz)	2000/2175	2000/2175	2000/2175
W (50/60 Hz)	586/637	586/637	586/637
At 95 F/95 F (35 C/35 C):			
BTU/Hr. (50/60 Hz)	1950/2200	1950/2200	1950/2200
W (50/60 Hz)	571/645	571/645	571/645
Refrigerant	R134A	R134A	R134A
Refrigerant Charge (ounces/grams)	6.5/184	6.5/184	6.5/184
Operating Temperature Range:			
Maximum (°F/°C)	131/55	131/55	131/55
Minimum (°F/°C)	-40/-40	-40/-40	-40/-40
Airflow at 0 Static Pressure:			
Internal loop 50 Hz (CFM / m ³ /hr.)	77/131	77/131	77/131
External loop 50 Hz (CFM / m ³ /hr.)	150/255	150/255	150/255
Internal loop 60 Hz (CFM / m ³ /hr.)	91/155	91/155	91/155
External loop 60 Hz (CFM / m ³ /hr.)	165/280	165/280	165/280
Max. Heater W (Outdoor Models)	500	500	500
ELECTRICAL DATA			
Rated Voltage	115	230	460V 1PH
Frequency (Hz)	50/60	50/60	50/60
Operating Range	+/- 10%	+/- 10%	+/- 10%
Max. Power Consumption (W at 50/60 Hz)	700/805	805	874
Max. Nominal Current (A at 50/60 Hz)	7.0/7.0	3.5/3.5	1.9
Starting Current (A)	19	7.6	7.2
Agency Approvals	cUL Listed CE EAC Others available upon request		cUR Recognized CE EAC
Power Input Description	Terminal Block	Terminal Block	Terminal Block
ENCLOSURE PROTECTION			
UL Type	Type 12, 3R, 4 standard Type 4X Stainless steel optional		
CONTROLLER			
Description	Basic mechanical thermostat		
Thermostat Location	Enclosure side on all base models		
Factory Thermostat Setting (°F/°C)	80/27		
SOUND LEVEL			
At 1.5 Meters	66 dB(A)		
UNIT CONSTRUCTION			
Material	Galvanized sheet metal standard Stainless steel optional		
Finish	RAL 7035 light-gray, semi-textured powder-coat paint standard Other colors available		
UNIT DIMENSIONS			
Height (in./mm)	20.92/531	20.92/531	25.17/614
Width (in./mm)	10.00/254	10.00/254	10.00/254
Depth (in./mm)	9.90/251	9.90/251	9.90/251
Weight (lb./kg)	56/25	56/25	66/30

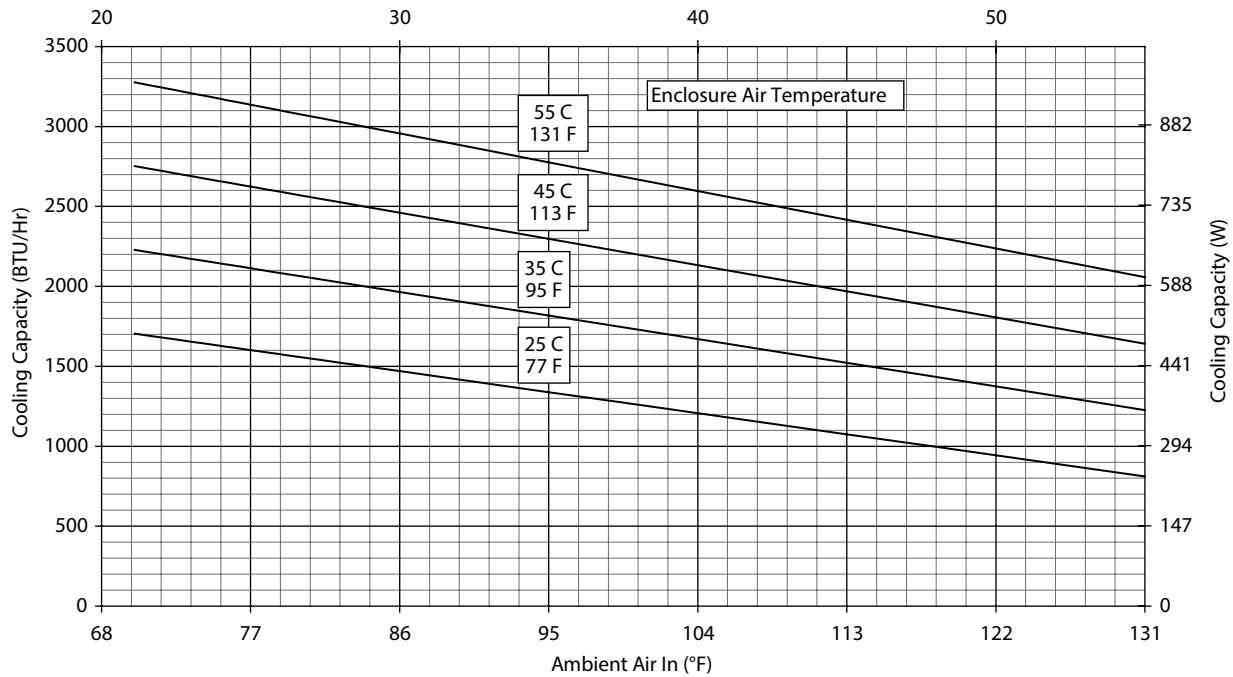
*Units with Remote Access Control utilize a digital controller and communicate via EtherNet/IP, Profinet, Modbus TCP/IP and SNMP over ethernet or modbus RTU over USB.



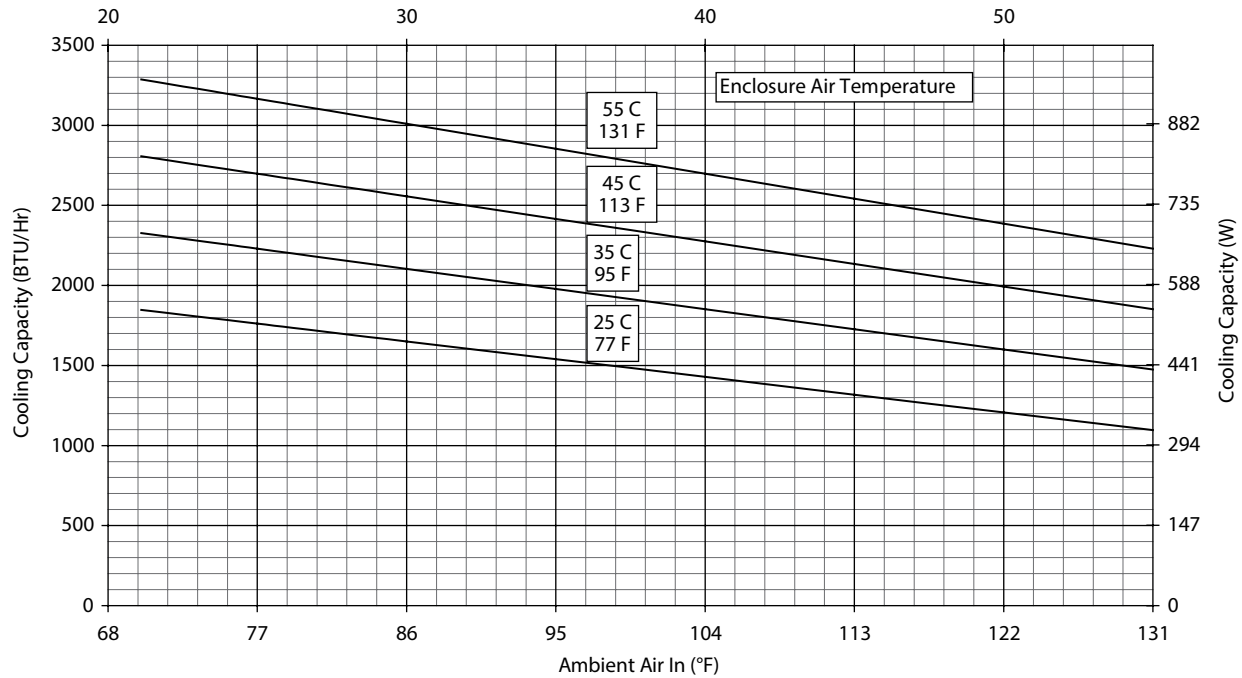
Performance Curves for N21 Models 2000 BTU/Hr. (586 Watt)



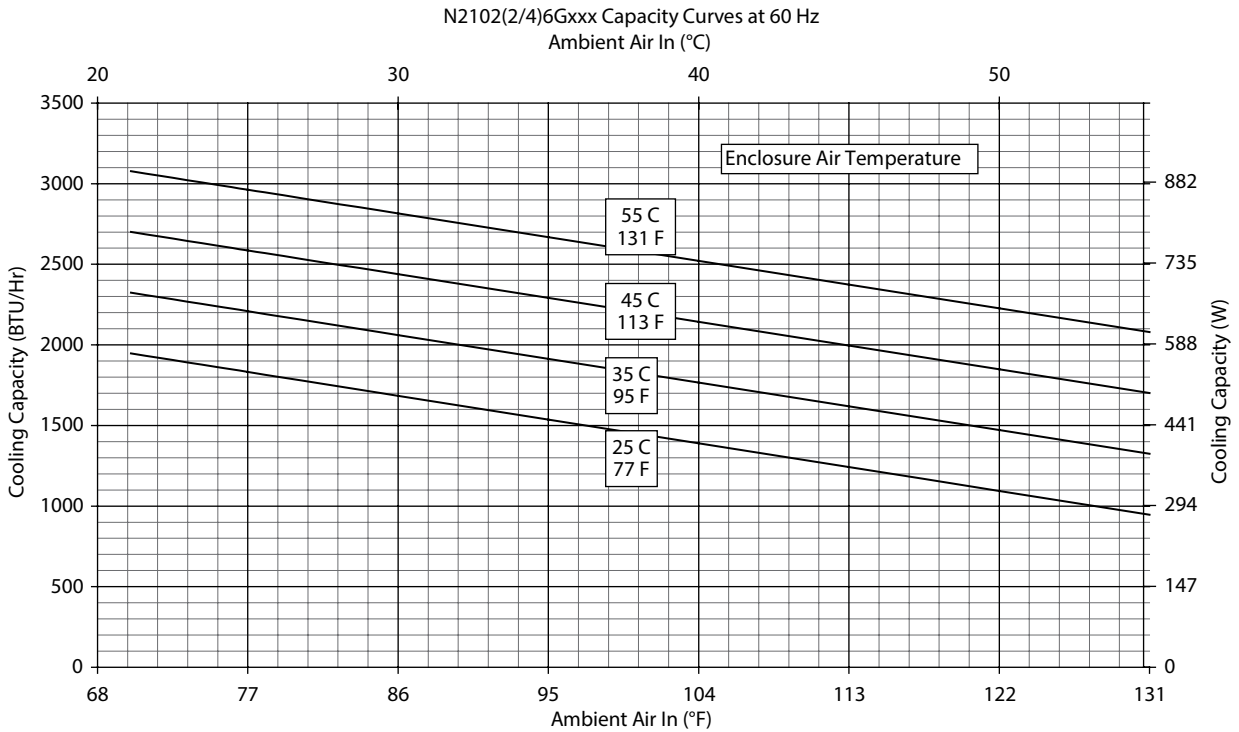
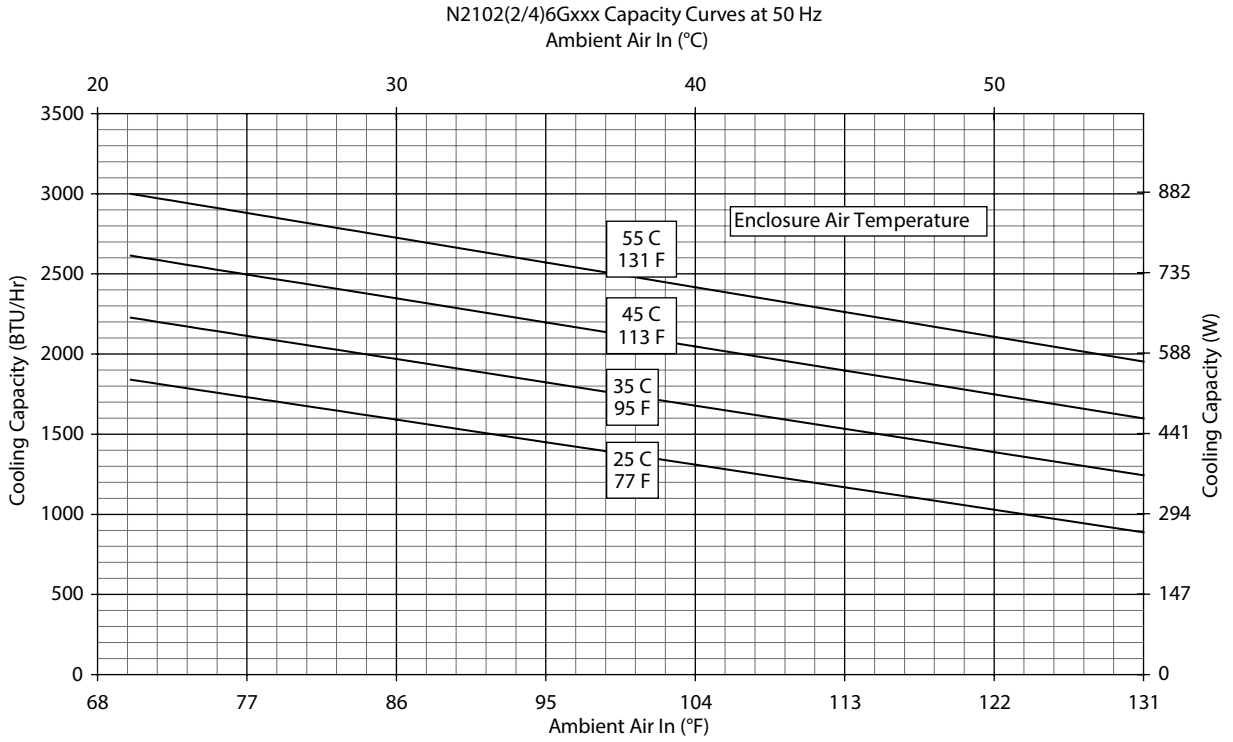
N210216Gxxx Capacity Curves at 50hz Hz
Ambient Air In (°C)



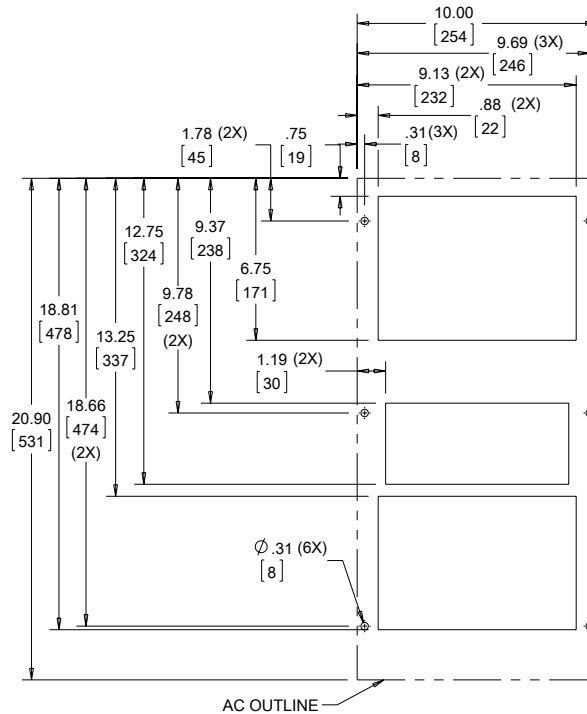
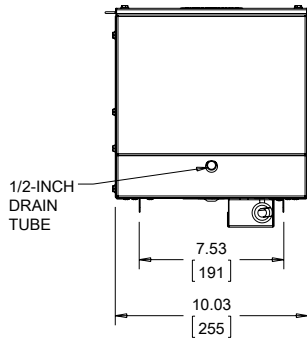
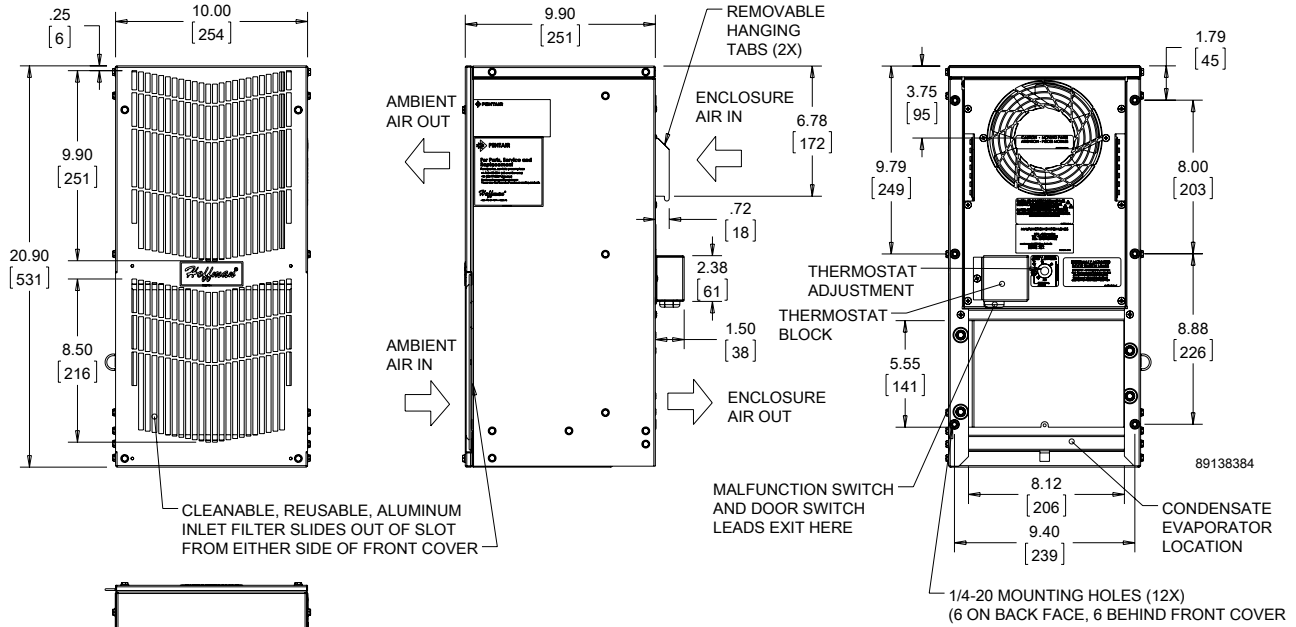
N210216Gxxx Capacity Curves at 60Hz
Ambient Air In (°C)



Performance Curves for N21 Models 2000 BTU/Hr. (586 Watt)



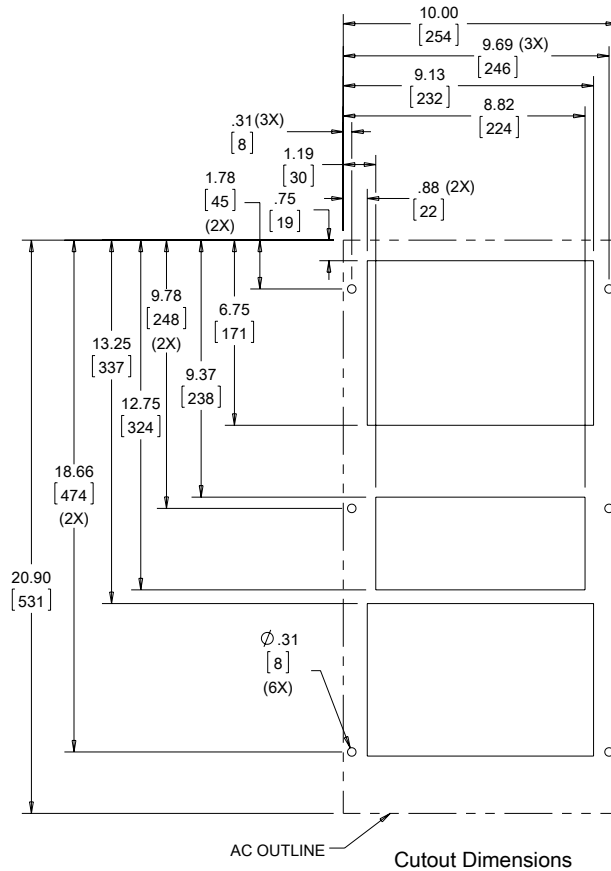
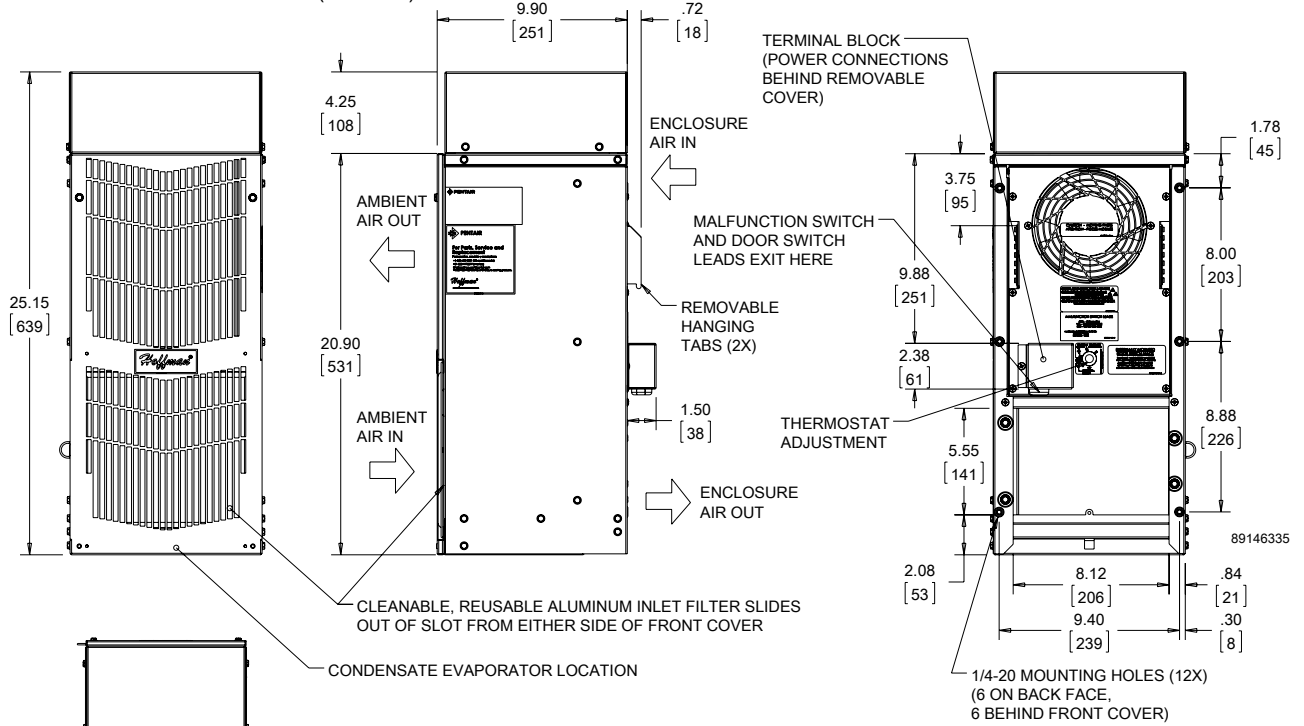
N21 115/230V Models 2000 BTU/Hr. (586 Watt)



AC OUTLINE
Cutout Dimensions (Externally Mounted)

Visit nVent.com/HOFFMAN to download 2D and 3D CAD drawings into the overall design of your electrical system.

N21 460V Models 2000 BTU/Hr. (586 Watt)



Visit nVent.com/HOFFMAN to download 2D and 3D CAD drawings into the overall design of your electrical system.

SPECTRACOOL NARROW INDOOR/OUTDOOR



N43	N36	N28
11000 BTU/Hr. 3223 Watt	6000/8000 BTU/Hr. 1758/2344 Watt	4000 BTU/Hr. 1172 Watt

3

INDUSTRY STANDARDS

UL/cUL Listed; Type 12, 3R, 4; 4X optional; File No. SA6453

CE
 IP 56 Internal Loop
 IP 34 on External Loop
 Telcordia GR-487 capable (Outdoor)

APPLICATION

- Industrial automation
- Waste water treatment systems
- Package handling equipment
- Security and defense systems

FEATURES

- Narrow design accommodates 12-in. (300-mm) deep cabinets
- Energy efficient reciprocating compressor on N28 models
- Energy efficient rotary compressor on N36 and N43 models
- R407c and R134a earth-friendly refrigerants
- Models for 115, 230 and 400/460 3-phase VAC power input
- UL Listed to save customers time and money with agency approvals
- Outdoor model operating temperature range from -40 F/-40 C to 131 F/55 C (125 F/52 C on N28 Series)
- Attractive industrial design with minimal use of visible fasteners
- Reliable mechanical thermostat on enclosure side of the unit; indoor Air Conditioner models include digital display on ambient side
- Galvanized sheet-metal cover for rugged factory and outdoor environments
- Easy-mount flanges for simple installation
- Cut-out adapter options for enclosures with GENESIS air conditioners enable users to easily transition to the new unit
- Dust-resistant condenser coil allows the unit to be run filterless in most applications
- Cleanable, reusable aluminum mesh filter protects coils for maximum cooling performance
- Mounting hardware, gaskets and user manual furnished with the unit
- Every unit functionally tested before shipping
- Standard Indoor Air Conditioner models also include:
 - Active condensate management with heater strip
 - Power-off relay for door switch and other system requirements
 - Malfunction switch
- Standard Outdoor Air Conditioner models also include:
 - Telcordia GR-487 capable
 - Corrosion-resistant components
 - Malfunction switch
 - Compressor heater
 - Head pressure control
 - 1300 W enclosure heater

SPECIFICATIONS

- Nominal cooling capacity:
 - N28 4000 BTU/Hr. (1172 W)
 - N36 6000 & 8000 BTU/Hr. (1758 and 2344 W)
 - N43 11000 BTU/Hr. (3223 W)
- Outdoor model operating temperature range from -40 F/-40 C to 131 F/55 C (125 F/52 C on N28 Series)

FINISH

- RAL 7035 light-gray, semi-textured powder-coat paint
- Other colors and textures available



Performance Data **N28 4000 BTU/Hr. (1172 Watt)**

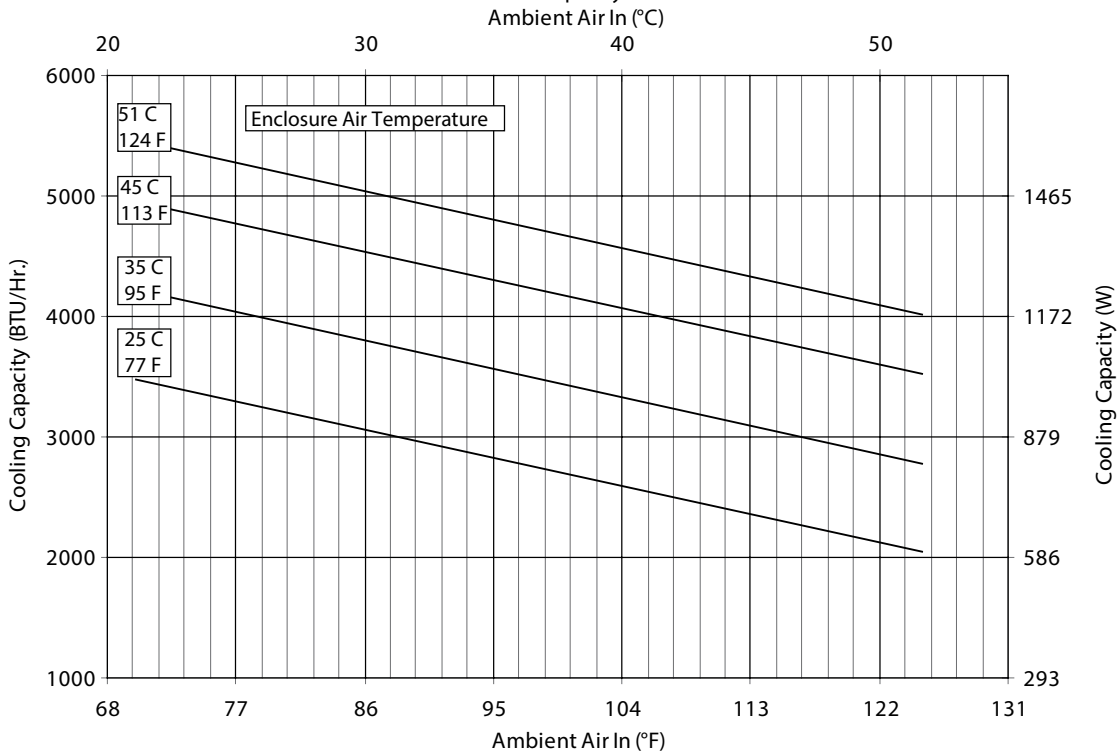
CATALOG NUMBER			
Indoor Model	N280416G050	N280426G050	N280446G050
Indoor Model Stainless Steel Type 4X	N280416G051	N280426G051	N280446G051
Indoor Model with Remote Access Control*	N280416G060	N280426G060	N280446G060
Outdoor Model without Heat Pkg.	N280416G100	N280426G100	N280446G100
Outdoor Model without Heat Pkg. Stainless Steel Type 4X	N280416G102	N280426G102	N280446G102
Outdoor Model with Heat Pkg.	N280416G150	N280426G150	—
Outdoor Model with Heat Pkg. Stainless Steel Type 4X	N280416G151	N280426G151	—
COOLING PERFORMANCE			
Nominal:			
BTUs/Hr.	3800 / 4000	3800 / 4000	3800 / 4000
Watts	1114 / 1172	1114 / 1172	1114 / 1172
At 125 F / 125 F (50 C / 50 C):			
BTU/Hr. (50 / 60 Hz)	3940 / 4104	4269 / 4703	4269 / 4703
Watts (50 / 60 Hz)	1150 / 1000	1250 / 1378	1250 / 1378
At 95 F / 95 F (35 C / 35 C):			
BTU/Hr. (50 / 60 Hz)	3754 / 4011	3700 / 4291	3700 / 4291
Watts (50 / 60 Hz)	1100 / 1175	1086 / 1257	1086 / 1257
Refrigerant	R134a	R134a	R134a
Refrigerant Charge (ounces/grams)	10 / 283	11 / 312	11 / 312
Operating Temperature Range:			
Maximum (°F / °C)	125 / 52	125 / 52	125 / 52
Minimum (°F / °C)	-40 / -40	-40 / -40	-40 / -40
Air Flow at 0 Static Pressure:			
Internal loop 50 Hz (CFM / M ³ /Hr)	138 / 234	138 / 234	138 / 234
External loop 50 Hz (CFM / M ³ /Hr)	268 / 455	268 / 455	268 / 455
Internal loop 60 Hz (CFM / M ³ /Hr)	143 / 243	143 / 243	143 / 243
External loop 60 Hz (CFM / M ³ /Hr)	288 / 489	288 / 489	288 / 489
Max. Heater W (Outdoor Models)	1300	1300	N/A
ELECTRICAL DATA			
Rated Voltage	110 / 115	230	460V 1PH
Frequency (Hz)	50 / 60	50 / 60	50 / 60
Operating Range	+/-10%	+/-10%	+/-10%
Max. Power Consumption (Watts at 50 / 60 Hz)	971 / 1116	975 / 1104	1104
Max. Nominal Current (Amps at 50 / 60 Hz)	10.6 / 10.0	4.9 / 5.0	2.5
Starting Current (Amps)	40	24.5	12.5
Agency Approvals		cUL Listed CE	
Power Input Description		Others available upon request	
ENCLOSURE PROTECTION			
UL Type		Type 12, 3R, 4 Standard Type 4X Stainless Steel Optional	
CONTROLLER			
Description		Basic Mechanical Thermostat	
Thermostat Location		Enclosure Side	
Factory Thermostat Setting (°F / °C)		80 / 27	
SOUND LEVEL			
At 1.5 Meters	64.4 dBA	65.5 dBA	65.5 dBA
UNIT CONSTRUCTION			
Material		Galvanized sheet metal standard Stainless steel optional	
Finish		RAL 7035 light-gray, semi-textured powder-coat paint standard Other colors available	
ACCESSORIES			
EASYSWAP Adaptor Plenum (GENESIS M33)		Enables SPECTRACOOOL to be mounted to a GENESIS M33 air conditioner cutout Catalog Number PLM33N28	
UNIT DIMENSIONS			
Height (in / mm)		28 / 711.2	
Width (in / mm)		11.50 / 292.1	
Depth (in / mm)		14.00 / 355.6	
Weight (lb / kg)	84 / 38	84 / 38	92 / 41.7

*Units with Remote Access Control utilize a digital controller and communicate via EtherNet/IP, Profinet, Modbus TCP/IP and SNMP over ethernet or modbus RTU over USB.

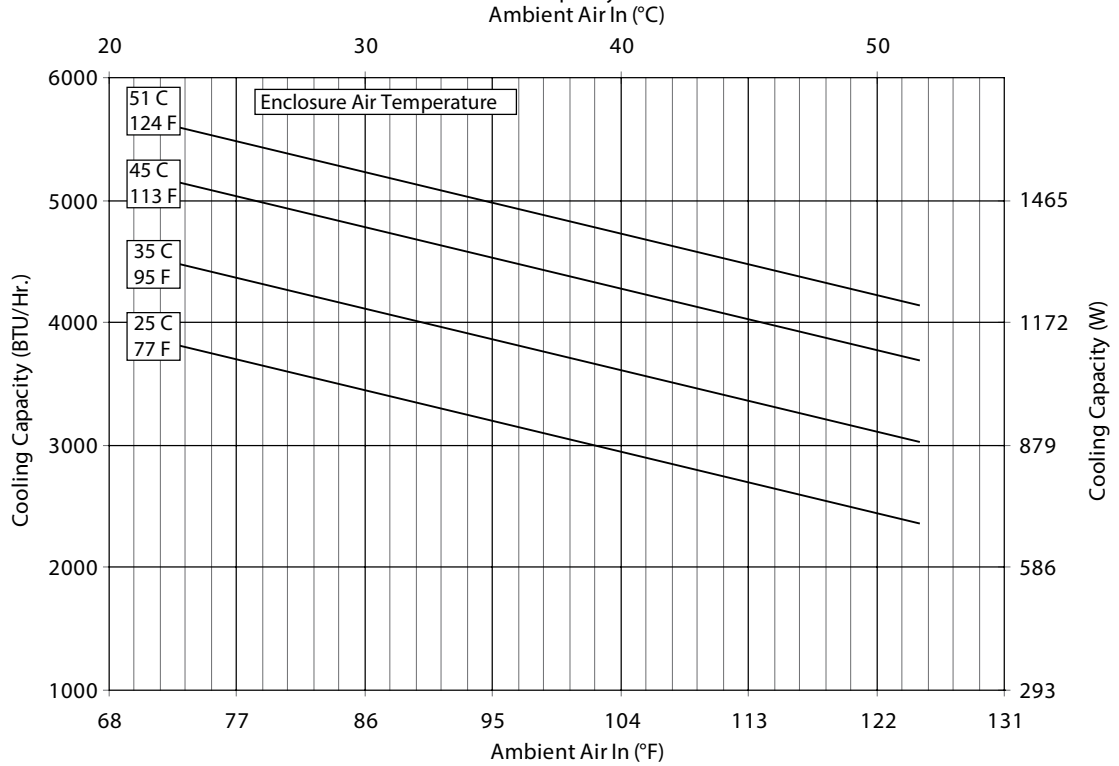
Performance Curves for N28 Models 4000 BTU/Hr. (1172 Watt)



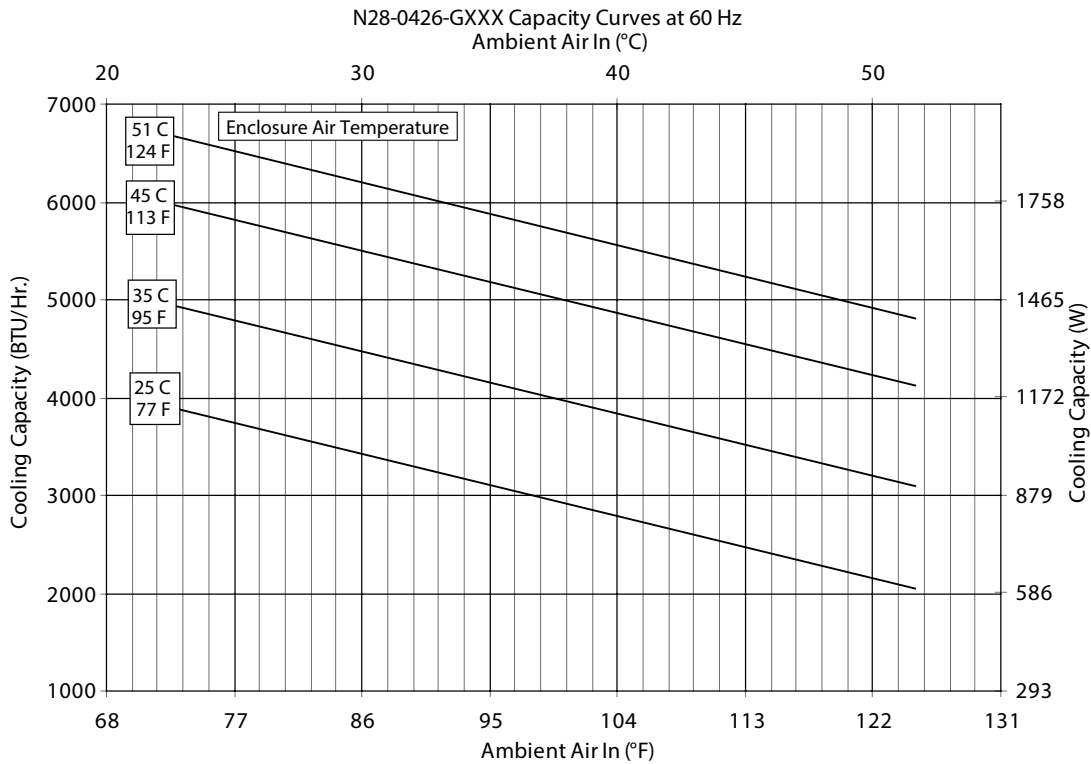
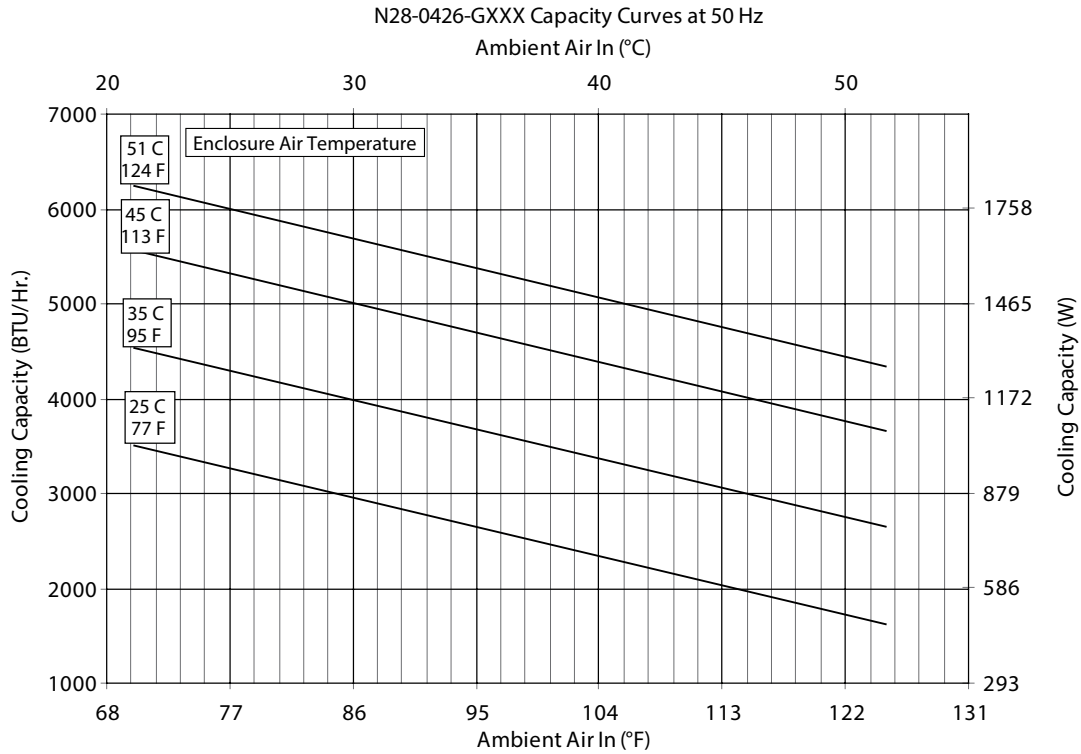
N28-0416-GXXX Capacity Curves at 50 Hz



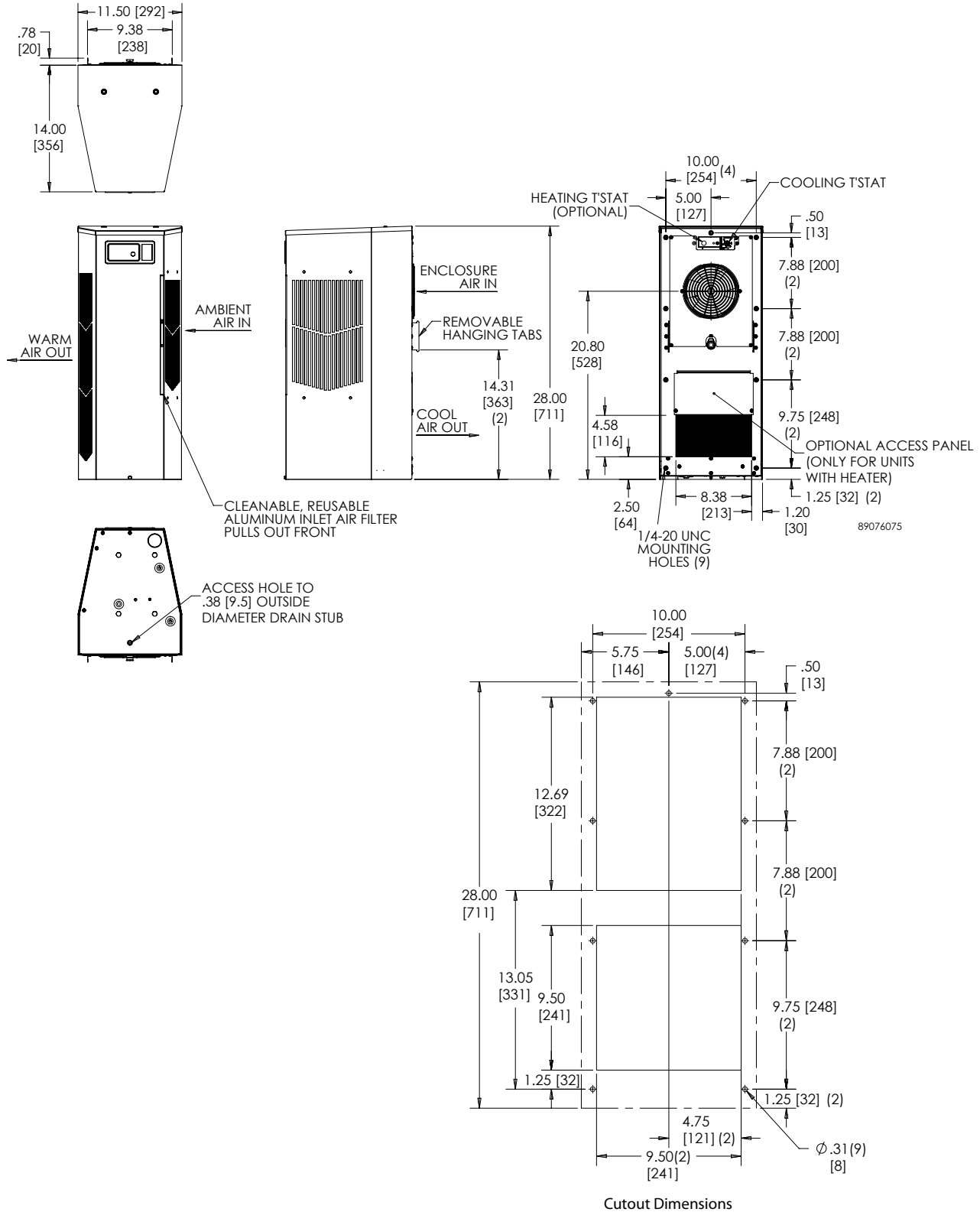
N28-0416-GXXX Capacity Curves at 60 Hz



Performance Curves for N28 Models 4000 BTU/Hr. (1172 Watt)



N28 Models 4000 BTU/Hr. (1172 Watt)



Visit nVent.com/HOFFMAN to download 2D and 3D CAD drawings into the overall design of your electrical system.

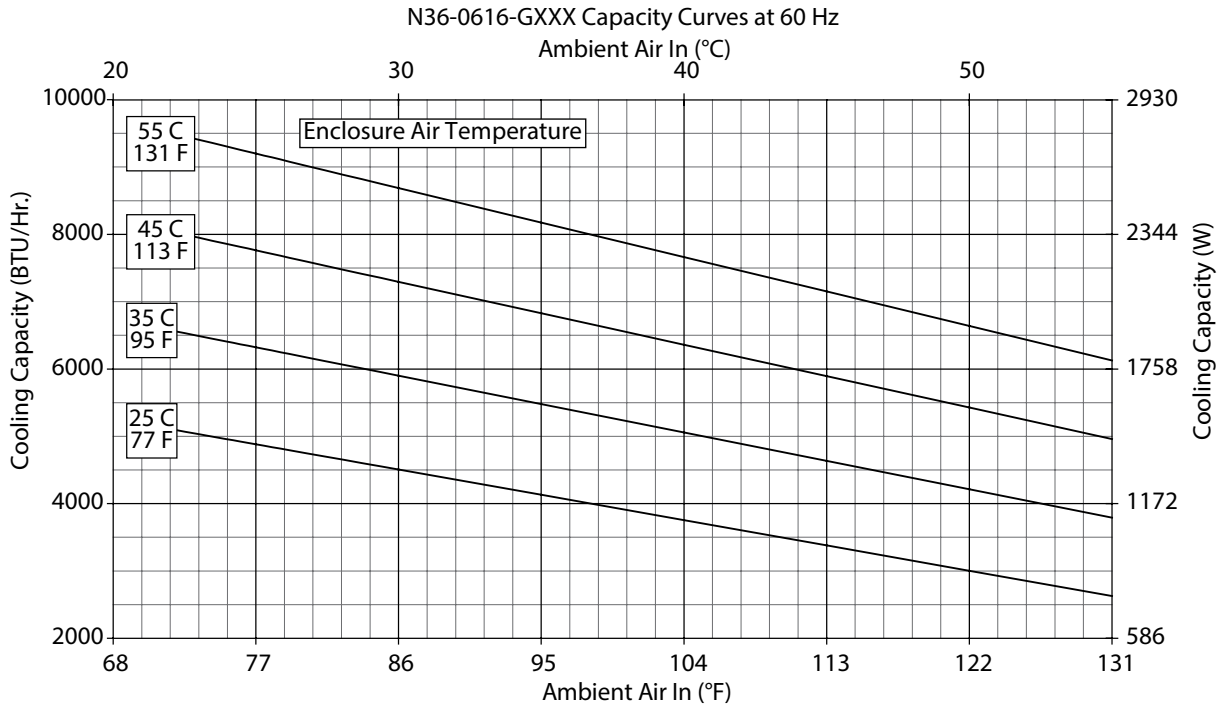
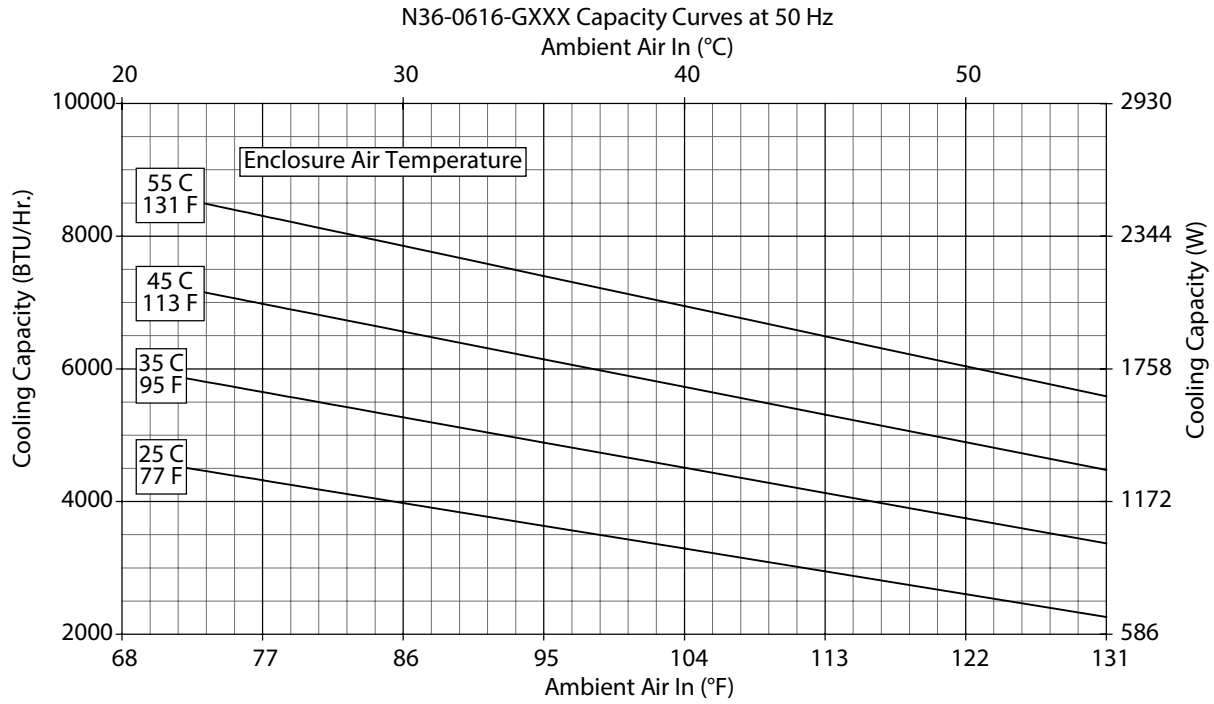


Performance Data **N36 6000/8000 BTU/Hr. (1758/2344 Watt)**

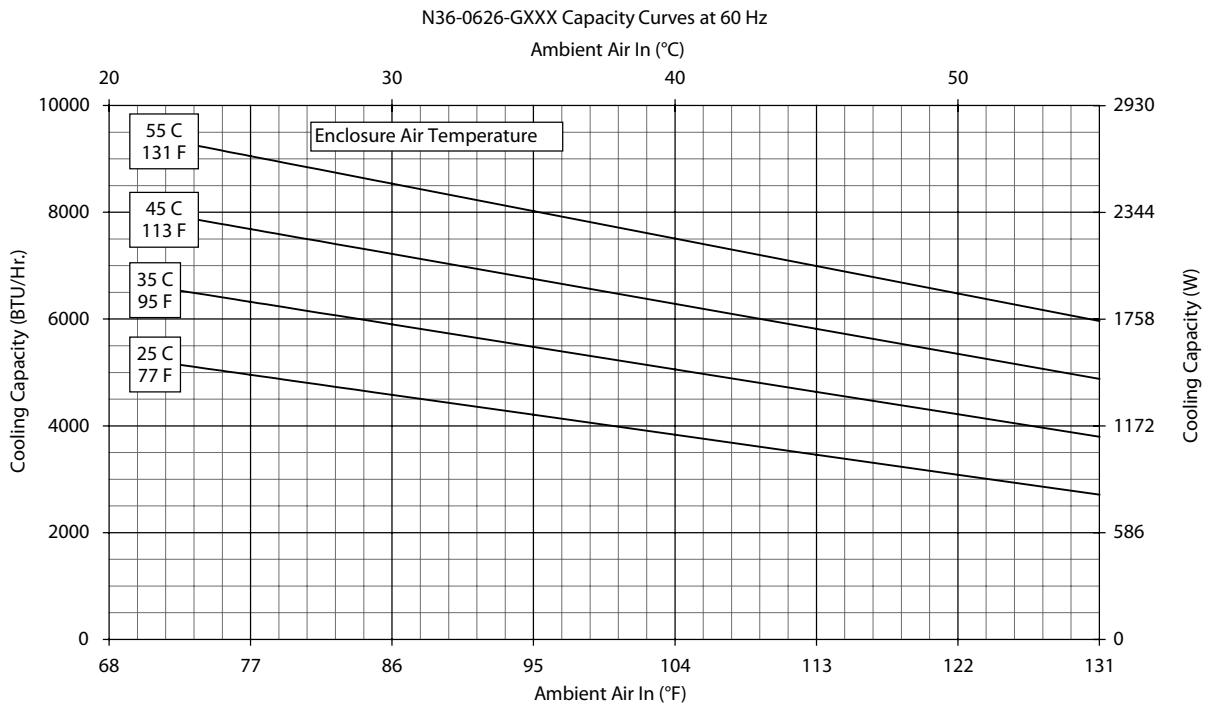
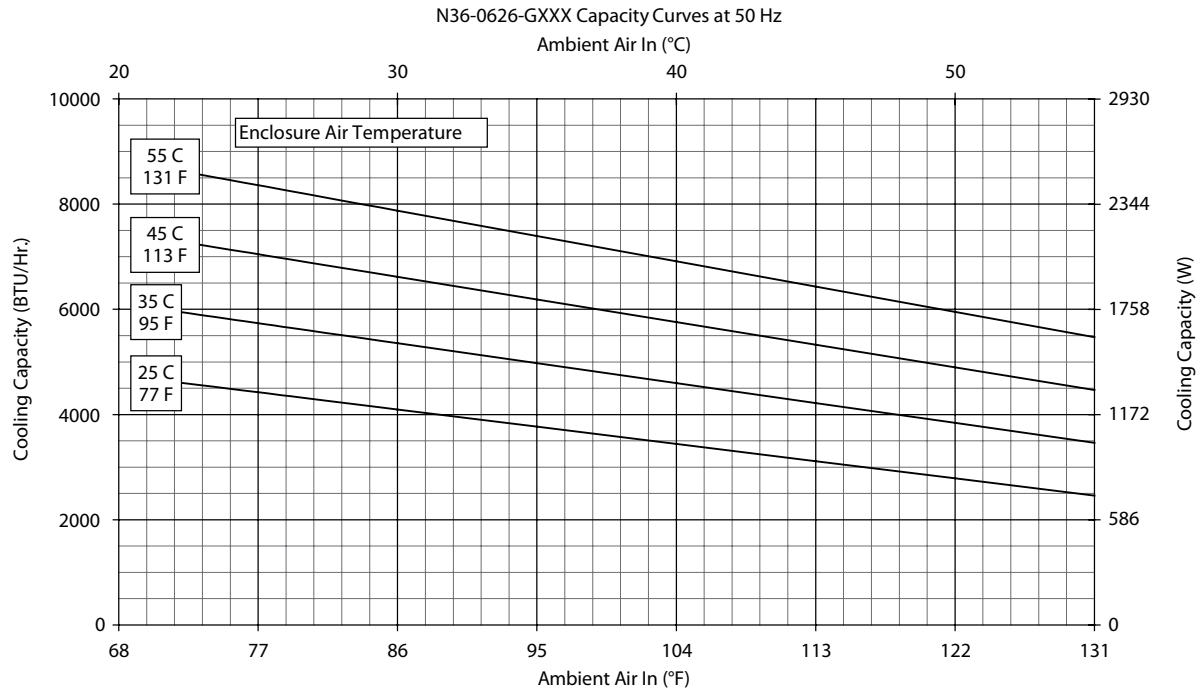
CATALOG NUMBER						
Indoor Model	N360616G050	N360626G050	N360646G050	N360816G050	N360826G050	N360846G050
Indoor Model Stainless Steel Type 4X	N360616G051	N360626G051	N360646G051	N360816G051	N360826G051	N360846G051
Indoor Model with Remote Access Control*	N360616G060	N360626G060	N360646G060	N360816G060	N360826G060	N360846G060
Outdoor Model without Heat Pkg.	N360616G100	N360626G100	N360646G100	N360816G100	N360826G100	N360846G100
Outdoor Model without Heat Pkg. Stainless Steel Type 4X	N360616G102	N360626G102	N360646G102	N360816G102	N360826G102	N360846G102
Outdoor Model with Heat Pkg.	N360616G150	N360626G150	N360646G150	N360816G150	N360826G150	N360846G150
Outdoor Model with Heat Pkg. Stainless Steel Type 4X	N360616G151	N360626G151	N360646G151	N360816G151	N360826G151	N360846G151
COOLING PERFORMANCE						
Nominal:						
BTU/Hr.	5400 / 6000	5400 / 6000	5400 / 6000	8250 / 8500	8250 / 8500	8250 / 8500
Watts	1581 / 1757	1581 / 1757	1581 / 1757	2416 / 2489	2313 / 2635	2284 / 2401
At 131 F / 131 F (55 C / 55 C):						
BTU/Hr. (50 / 60 Hz)	5585 / 6180	5469 / 5965	5300 / 6089	8213 / 8453	7874 / 8063	7777 / 8166
Watts (50 / 60 Hz)	1637 / 1811	1603 / 1748	1553 / 1785	2405 / 2475	2306 / 2361	2277 / 2391
At 95 F / 95 F (35 C / 35 C):						
BTU/Hr. (50 / 60 Hz)	4909 / 5485	5159 / 5621	5572 / 6026	7028 / 7626	6660 / 7411	6877 / 7525
Watts (50 / 60 Hz)	1439 / 1607	1512 / 1647	1633 / 1766	2058 / 2233	1950 / 2170	2014 / 2203
Refrigerant	R134a	R134a	R134a	R134a	R134a	R134a
Refrigerant Charge (ounces/grams)	20 / 567	22 / 624	16 / 454	36 / 1021	36 / 1021	36 / 1021
Operating Temperature Range:						
Maximum (°F / °C)	131 / 55	131 / 55	131 / 55	131 / 55	131 / 55	131 / 55
Minimum (°F / °C)	-40 / -40	-40 / -40	-40 / -40	-40 / -40	-40 / -40	-40 / -40
Air Flow at 0 Static Pressure:						
Internal loop 50 Hz (CFM / M ³ /Hr.)	251 / 426	250 / 425	250 / 425	250 / 425	245 / 416	243 / 413
External loop 50 Hz (CFM / M ³ /Hr.)	284 / 483	338 / 574	338 / 574	313 / 532	347 / 589	365 / 620
Internal loop 60 Hz (CFM / M ³ /Hr.)	261 / 443	261 / 443	261 / 443	263 / 447	258 / 439	254 / 432
External loop 60 Hz (CFM / M ³ /Hr.)	311 / 528	356 / 605	356 / 605	338 / 574	382 / 648	394 / 669
Max. Heater W (Outdoor Models)	1300	1300	1300	1300	1300	1300
ELECTRICAL DATA						
Rated Voltage	115	230	400 / 460 3~	115	230	400 / 460 3~
Frequency (Hz)	50 / 60	50 / 60	50 / 60	50 / 60	50 / 60	50 / 60
Operating Range	+/-10%	+/-10%	+/-10%	+/-10%	+/-10%	+/-10%
Max. Power Consumption (Watts at 50 / 60 Hz)	911 / 1108	908 / 1073	697 / 895	1334 / 1530	1265 / 1403	572 / 628
Max. Nominal Current (Amps at 50 / 60 Hz)	9.1 / 10.1	4.5 / 4.7	1.59 / 1.69	11.6 / 13.3	5.5/6.1	2.9/3.0
Starting Current (Amps)	39.2	23.0	8.1	48.3	27.0	16.0
Agency Approvals				cUL Listed CE Others available upon request Terminal Block		
Power Input Description	Terminal Block					
ENCLOSURE PROTECTION						
UL Type	Type 12, 3R, 4 Standard Type 4X Stainless Steel Optional					
CONTROLLER						
Description	Basic Mechanical Thermostat					
Thermostat Location	Enclosure Side					
Factory Thermostat Setting (°F / °C)	80 / 27					
SOUND LEVEL						
At 1.5 Meters	66.9 dBA	66.7 dBA	68.2 dBA	66.0 dBA	66.0 dBA	66.0 dBA
UNIT CONSTRUCTION						
Material	Galvanized sheet metal standard Stainless steel optional					
Finish	RAL 7035 light-gray, semi-textured powder-coat paint standard Other colors available					
ACCESSORIES						
EASYSWAP Adaptor Plenum (GENESIS M36)	Enables SPECTRACOOL to be mounted to a GENESIS M36 air conditioner cutout Catalog Number PLM36N36					
UNIT DIMENSIONS						
Height (in. / mm)	36.00 / 914.4					
Width (in. / mm)	11.50 / 292.1					
Depth (in. / mm)	14.00 / 355.6					
Weight (lb. / kg)	100 / 45	100 / 45	104 / 47	106 / 48	106 / 48	114 / 52

*Units with Remote Access Control utilize a digital controller and communicate via EtherNet/IP, Profinet, Modbus TCP/IP and SNMP over ethernet or modbus RTU over USB.

Performance Curves for N36 Models 6000 BTU/Hr. (1758 Watt)



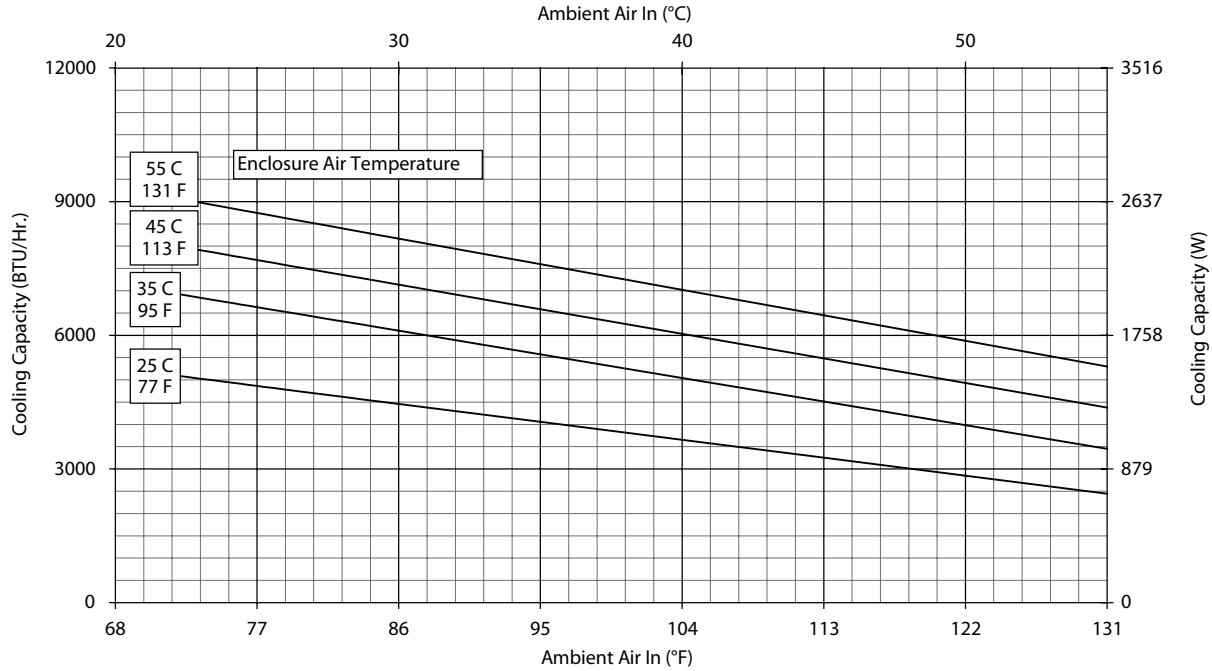
Performance Curves for N36 Models 6000 BTU/Hr. (1758 Watt)



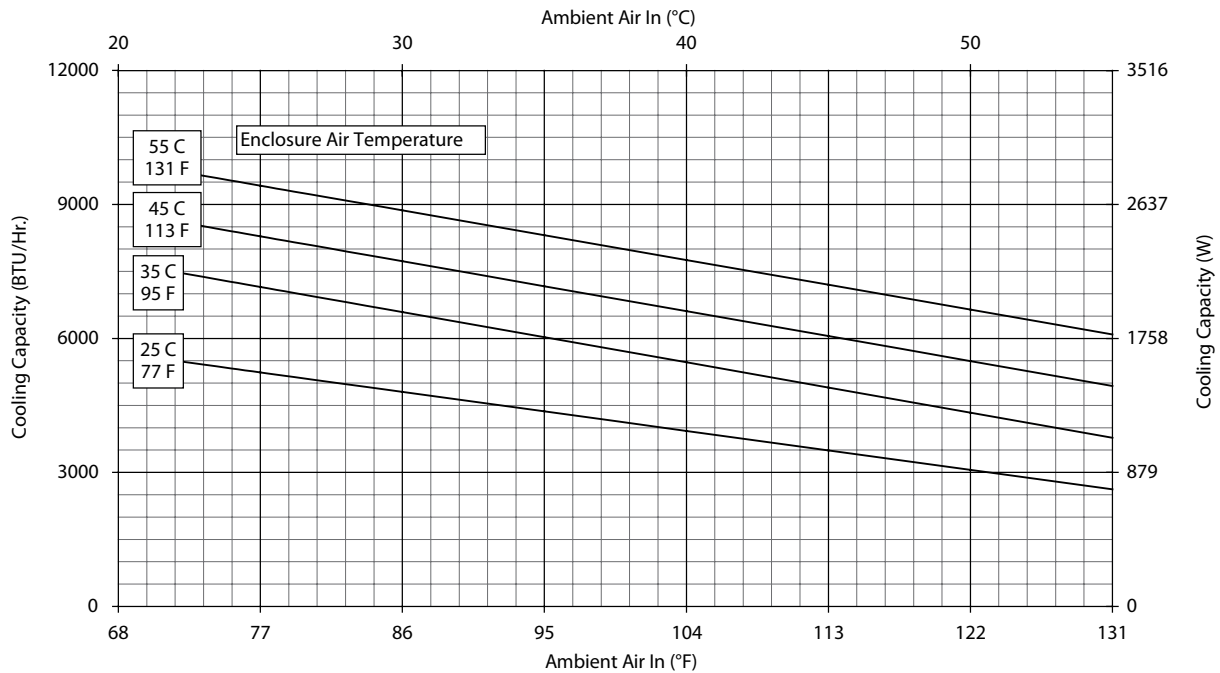
Performance Curves for N36 Models 6000 BTU/Hr. (1758 Watt)



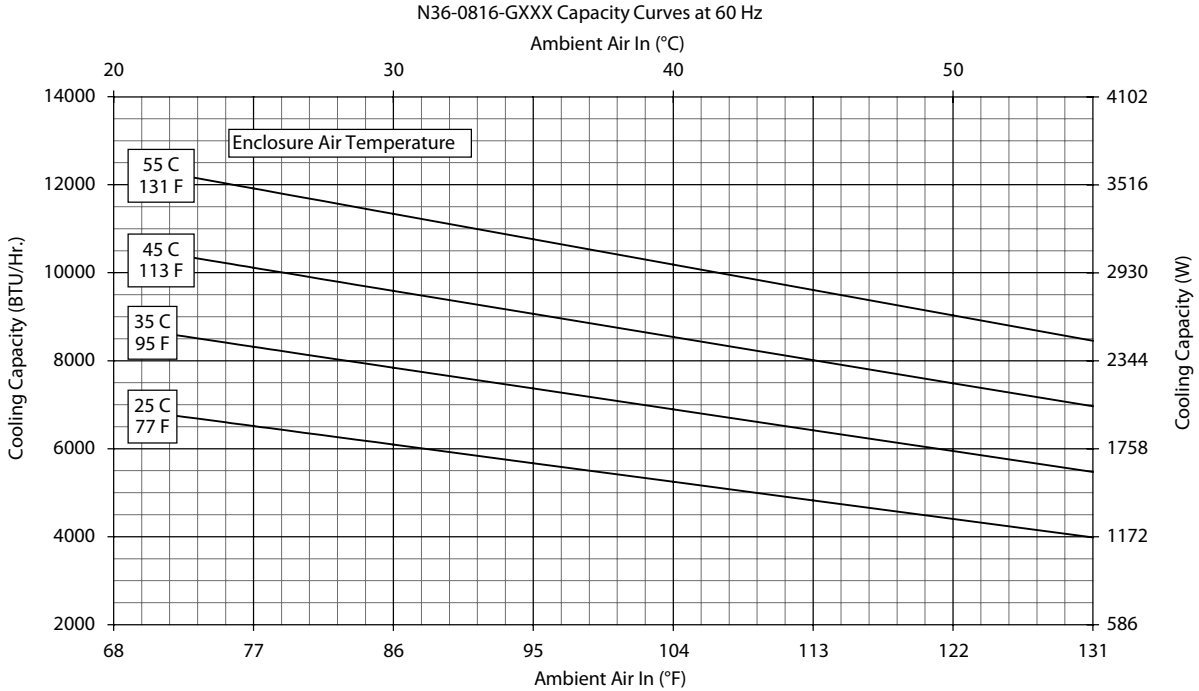
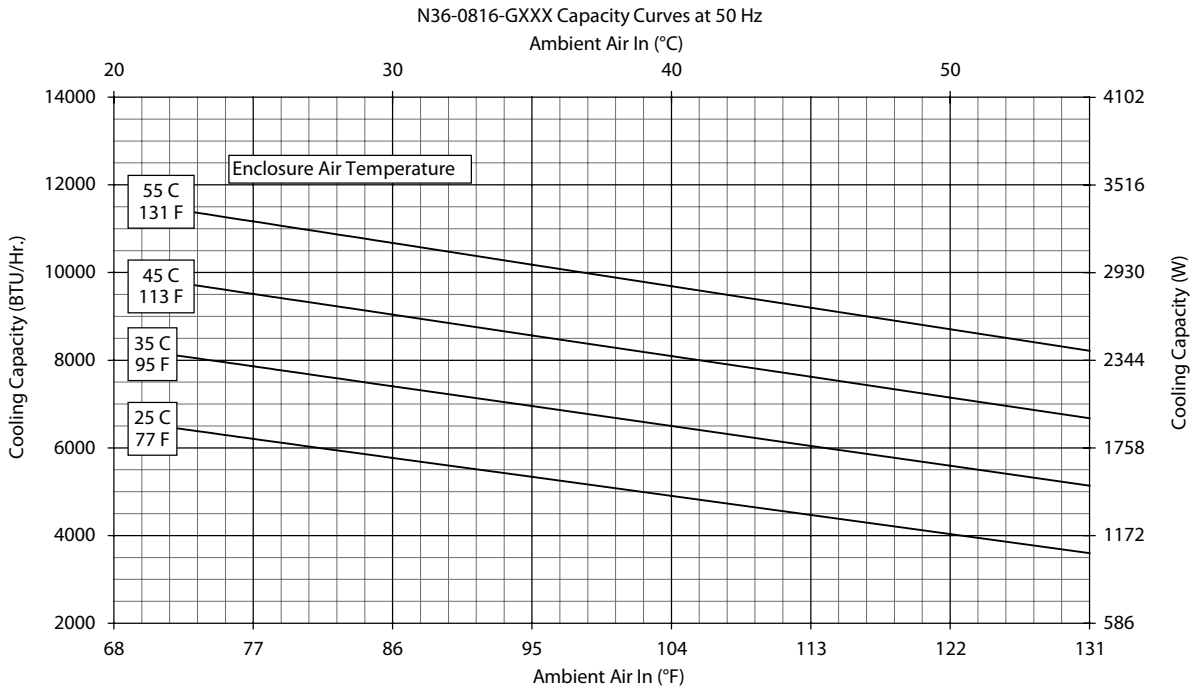
N36-0646-GXXX Capacity Curves at 50 Hz



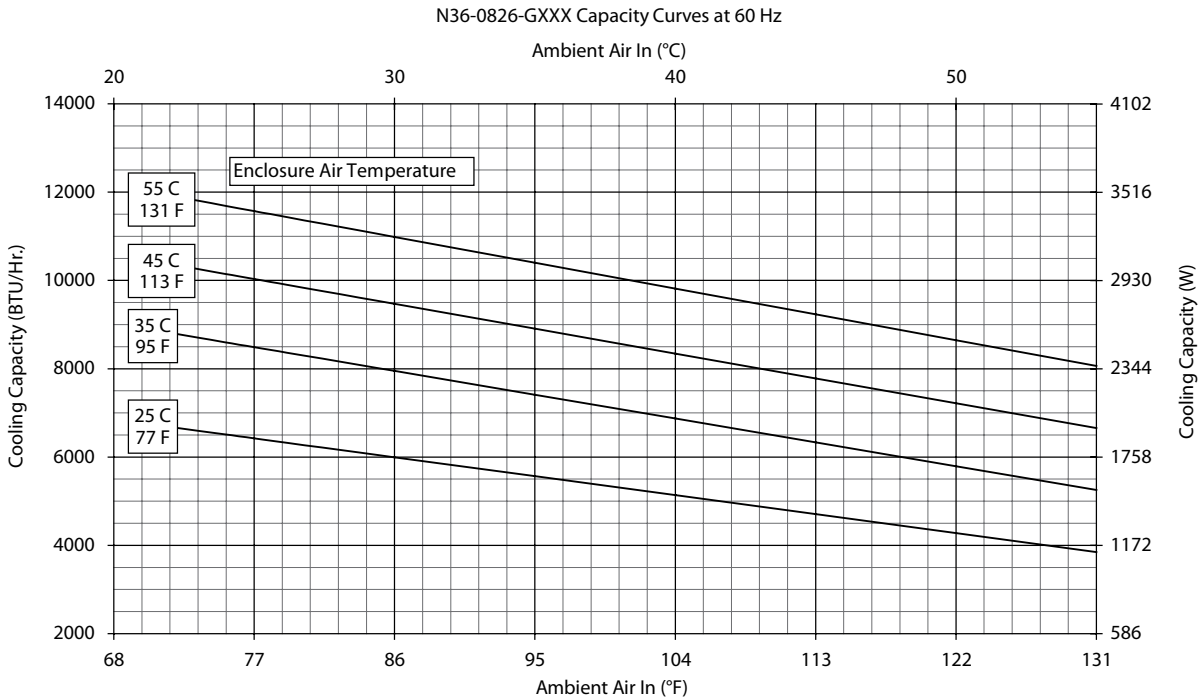
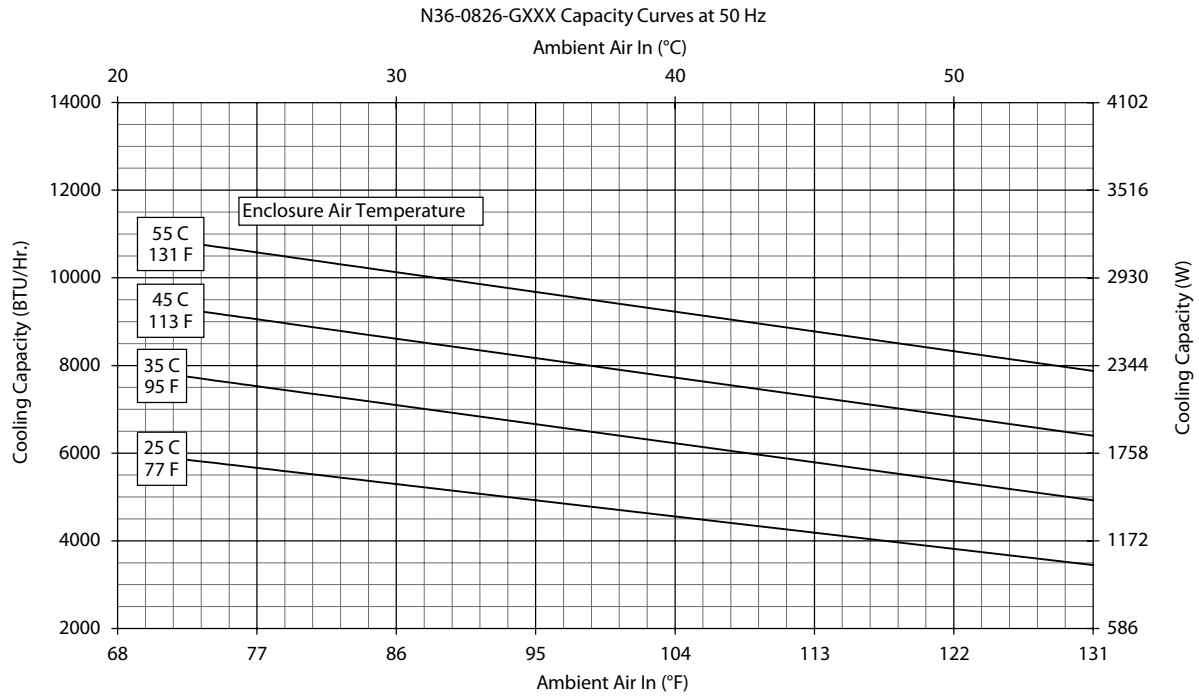
N36-0646-GXXX Capacity Curves at 60 Hz



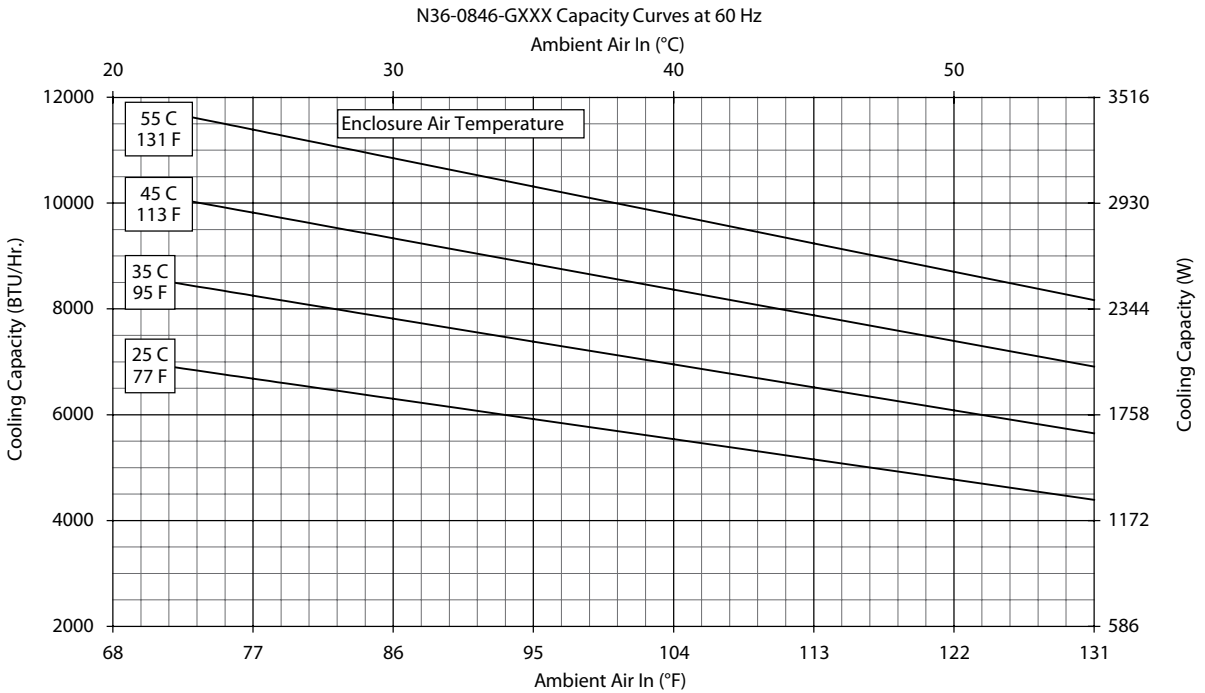
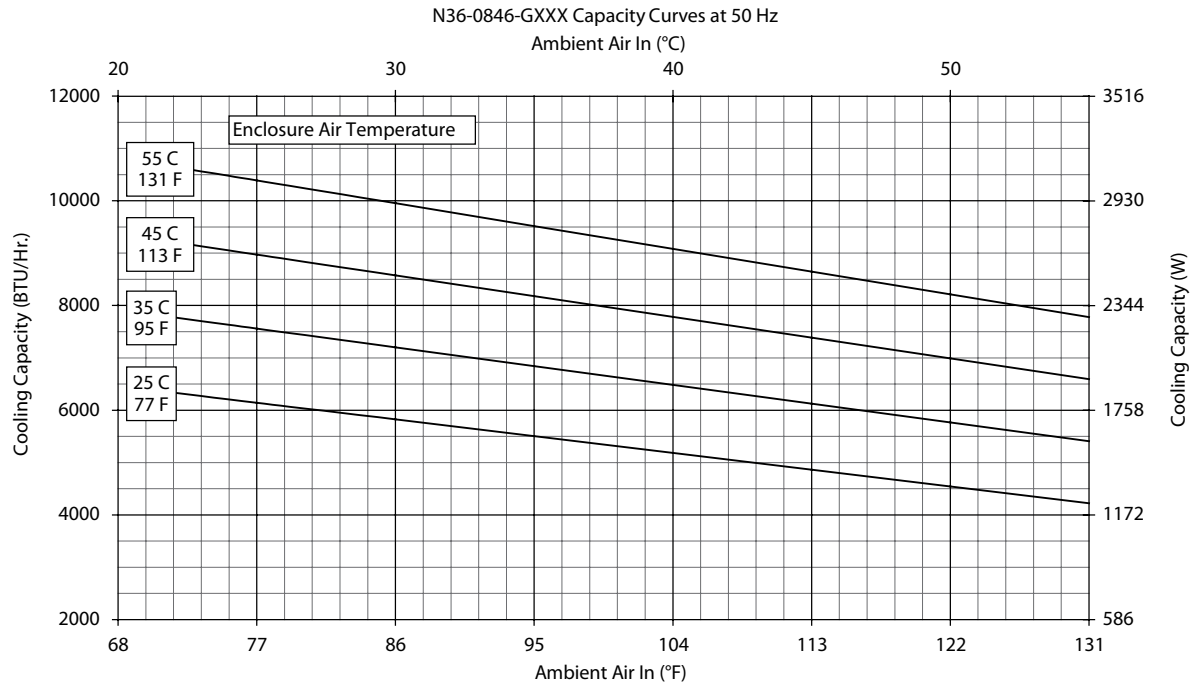
Performance Curves for N36 Models 8000 BTU/Hr. (2344 Watt)



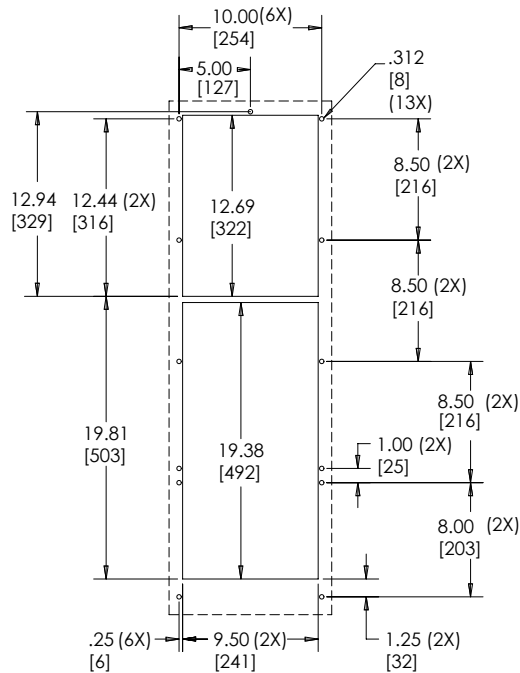
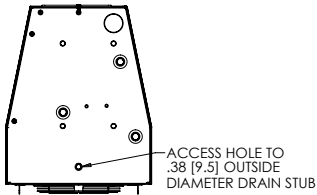
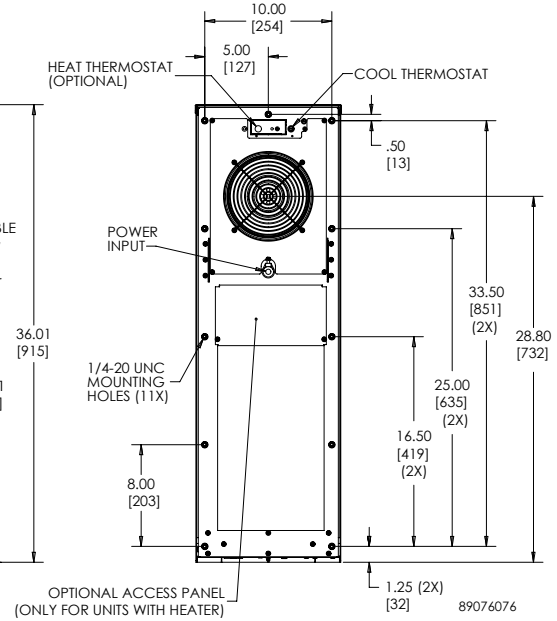
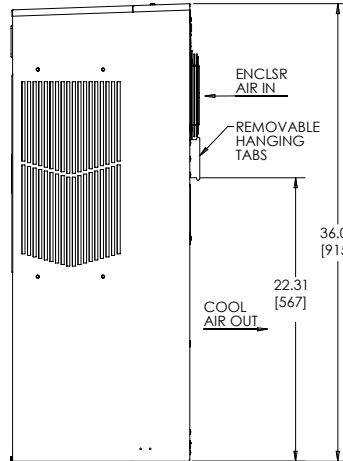
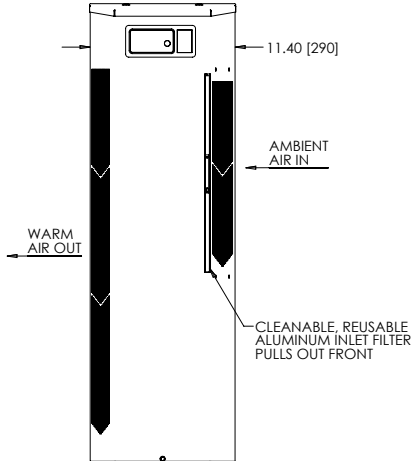
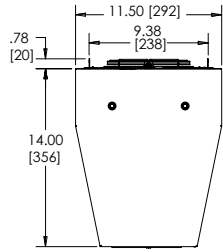
Performance Curves for N36 Models 8000 BTU/Hr. (2344 Watt)



Performance Curves for N36 Models 8000 BTU/Hr. (2344 Watt)



N36 6000/8000 BTU/Hr. (1758/2344 Watt)



Cutout Dimensions

Visit nVent.com/HOFFMAN to download 2D and 3D CAD drawings into the overall design of your electrical system.



Performance Data **N43 11000 BTU/Hr. (3223 Watt)**

CATALOG NUMBER			
Indoor Model	N431216G050	N431226G050	N431246G050
Indoor Model Stainless Steel Type 4X	N431216G051	N431226G051	N431246G051
Indoor Model with Remote Access Control*	N431216G060	N431226G060	N431246G060
Outdoor Model without Heat Pkg.	N431216G100	N431226G100	N431246G100
Outdoor Model without Heat Pkg. Stainless Steel Type 4X	N431216G102	N431226G102	N431246G102
Outdoor Model with Heat Pkg.	N431216G150	N431226G150	N431246G150
Outdoor Model with Heat Pkg. Stainless Steel Type 4X	N431216G151	N431226G151	N431246G151
COOLING PERFORMANCE			
Nominal:			
BTU/Hr.	10400 / 11000	10400 / 11000	10400 / 11000
Watts	3047 / 3223	2900 / 3223	2900 / 3223
At 131 F / 131 F (55 C / 55 C):			
BTU/Hr. (50 / 60 Hz)	10588 / 11180	9946 / 11052	10048 / 10797
Watts (50 / 60 Hz)	3103 / 3277	2915 / 3239	2945 / 3164
At 95 F / 95 F (35 C / 35 C):			
BTU/Hr. (50 / 60 Hz)	9475 / 10023	8967 / 9644	8587 / 9559
Watts (50 / 60 Hz)	2777 / 2937	2628 / 2826	2517 / 2801
Refrigerant	R134a	R134a	R134a
Refrigerant Charge (ounces/grams)	36 / 1021	38 / 1077	41 / 1162
Operating Temperature Range:			
Maximum (°F / °C)	131 / 55	131 / 55	131 / 55
Minimum (°F / °C)	-40 / -40	-40 / -40	-40 / -40
Air Flow at 0 Static Pressure:			
Internal loop 50 Hz (CFM / M ³ /Hr)	239 / 406	259 / 440	254 / 432
External loop 50 Hz (CFM / M ³ /Hr)	494 / 839	489 / 831	341 / 579
Internal loop 60 Hz (CFM / M ³ /Hr)	250 / 425	267 / 454	260 / 442
External loop 60 Hz (CFM / M ³ /Hr)	528 / 897	525 / 892	564 / 958
Max. Heater W (Outdoor Models)	1300	1300	1300
ELECTRICAL DATA			
Rated Voltage	115	230	400 / 460 3~
Frequency (Hz)	50 / 60	50 / 60	50 / 60
Operating Range	+/-10%	+/-10%	+/-10%
Max. Power Consumption (Watts at 50 / 60 Hz)	1802 / 2446	1802 / 2446	1283 / 1644
Max. Nominal Current (Amps at 50 / 60 Hz)	16.6 / 22.0	8.7 / 9.1	3.1 / 3.3
Starting Current (Amps)	57	38	16
Agency Approvals		cUL Listed CE	
Power Input Description		Others available upon request	
ENCLOSURE PROTECTION			
UL Type		Type 12, 3R, 4 Standard Type 4X Stainless Steel Optional	
CONTROLLER			
Description		Basic Mechanical Thermostat	
Thermostat Location		Enclosure Side	
Factory Thermostat Setting (°F / °C)		80 / 27	
SOUND LEVEL			
At 1.5 Meters	68.4 dBA	68.4 dBA	69.6 dBA
UNIT CONSTRUCTION			
Material		Galvanized sheet metal standard Stainless steel optional	
Finish		RAL 7035 light-gray, semi-textured powder-coat paint standard Other colors available	
UNIT DIMENSIONS			
Height (in / mm)		43.00 / 1092.2	
Width (in / mm)		11.50 / 292.1	
Depth (in / mm)		14.00 / 355.6	
Weight (lb / kg)	127/57.6	127/57.6	138/62.6

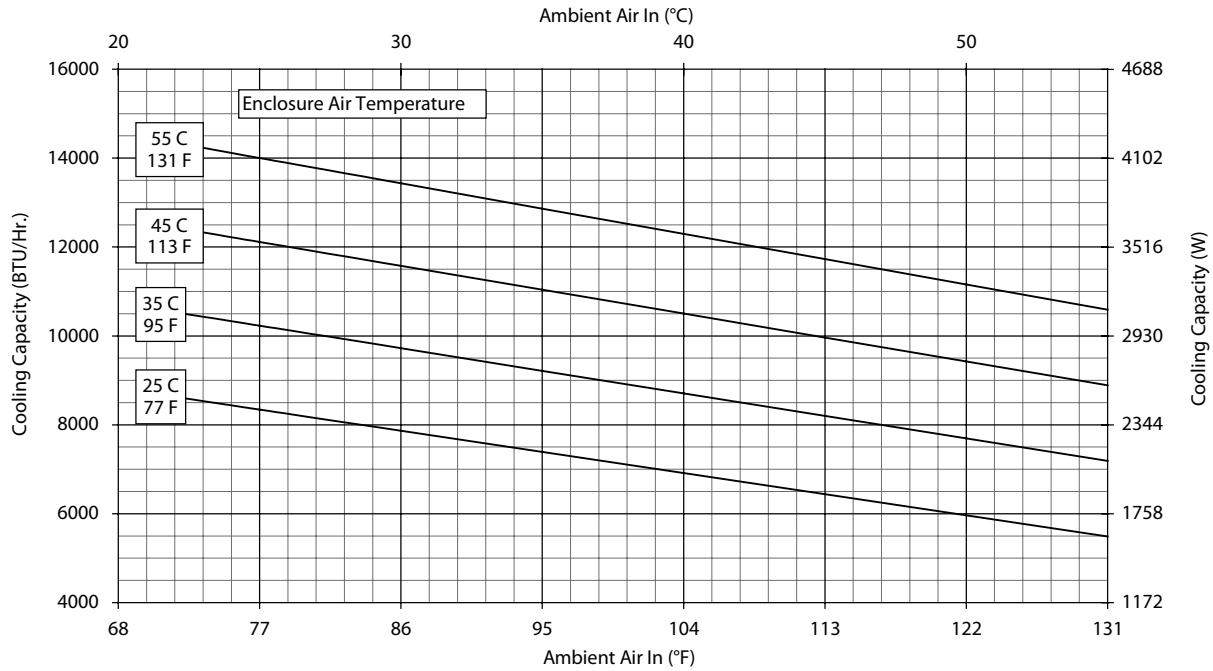
*Units with Remote Access Control utilize a digital controller and communicate via EtherNet/IP, Profinet, Modbus TCP/IP and SNMP over ethernet or modbus RTU over USB.



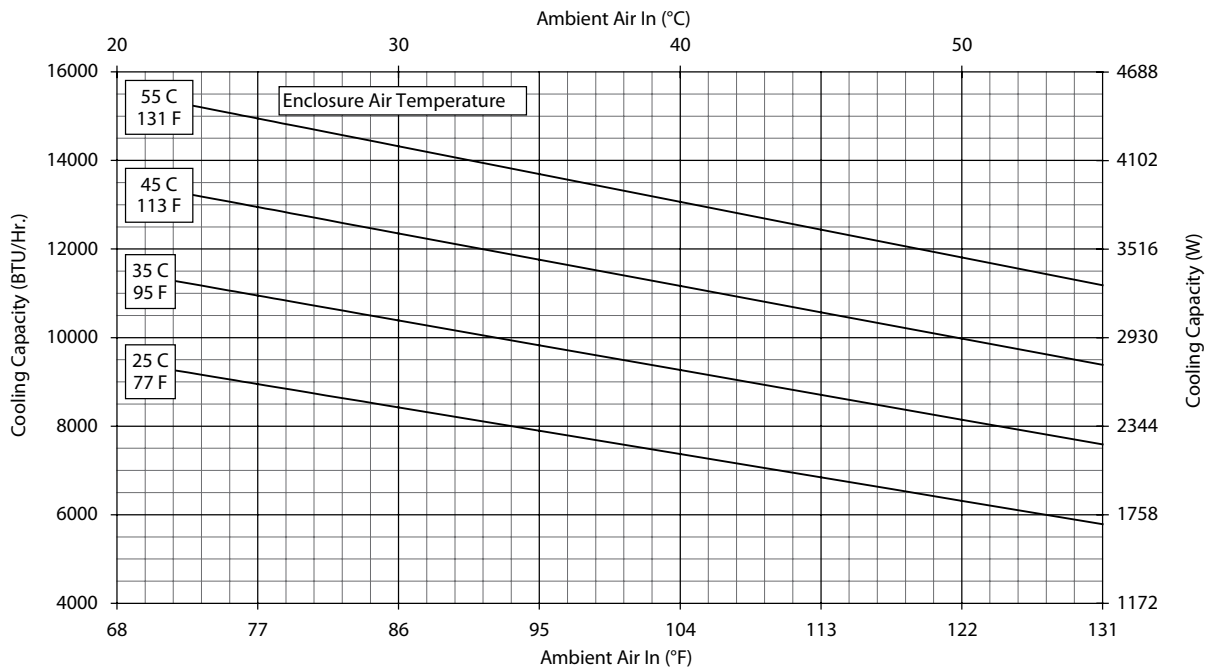
Performance Curves for N43 Models 11000 BTU/Hr. (3223 Watt)



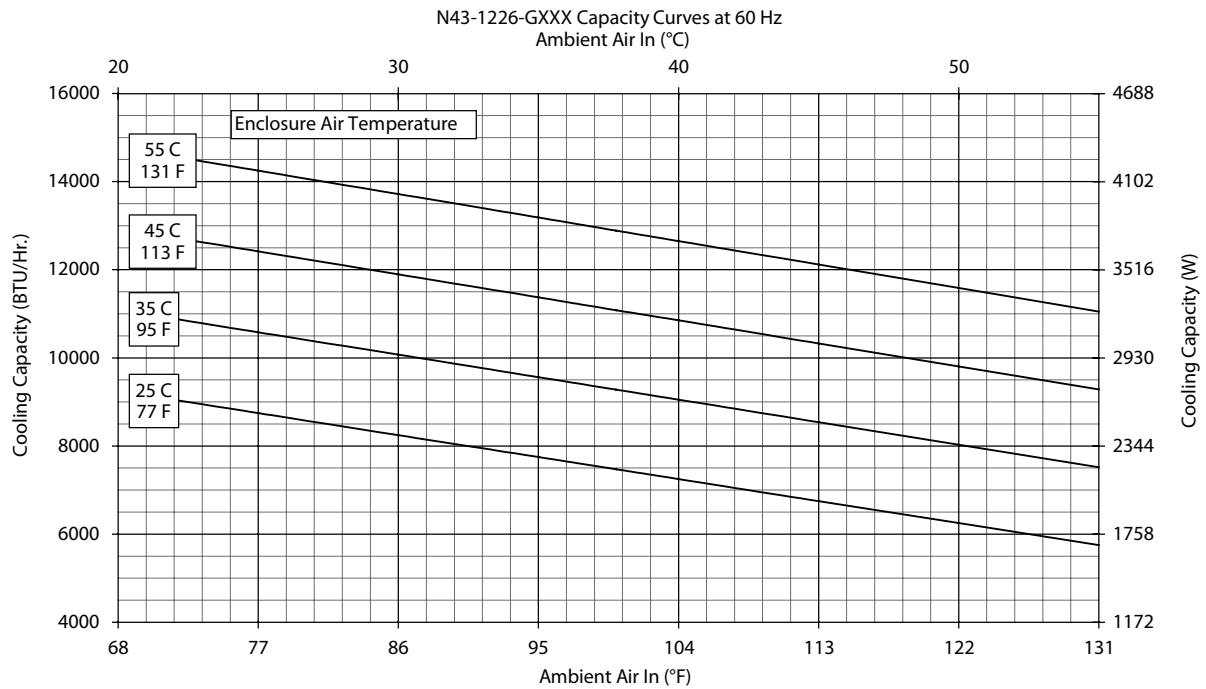
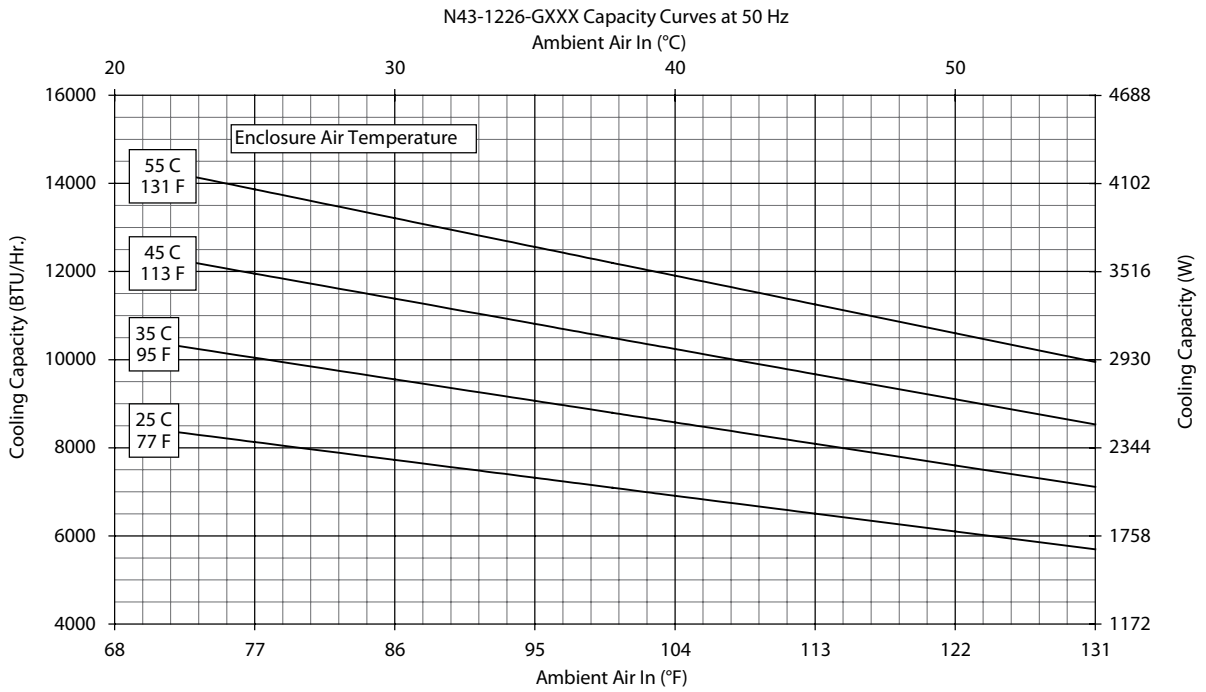
N43-1216-GXXX Capacity Curves at 50 Hz



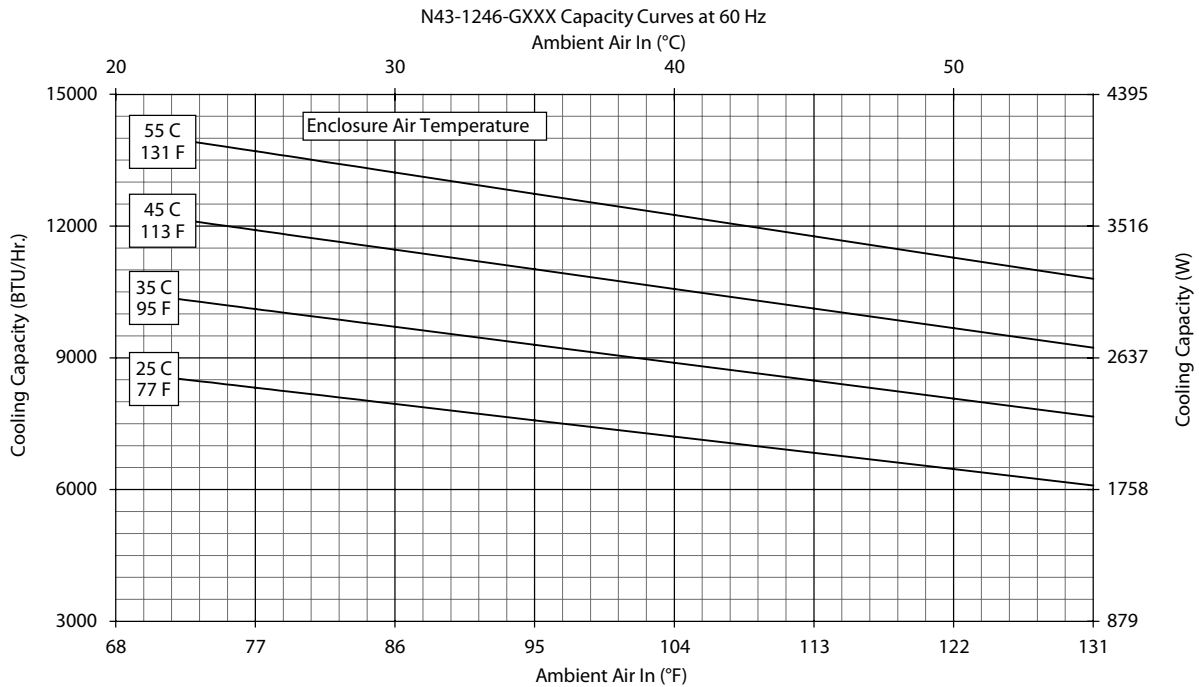
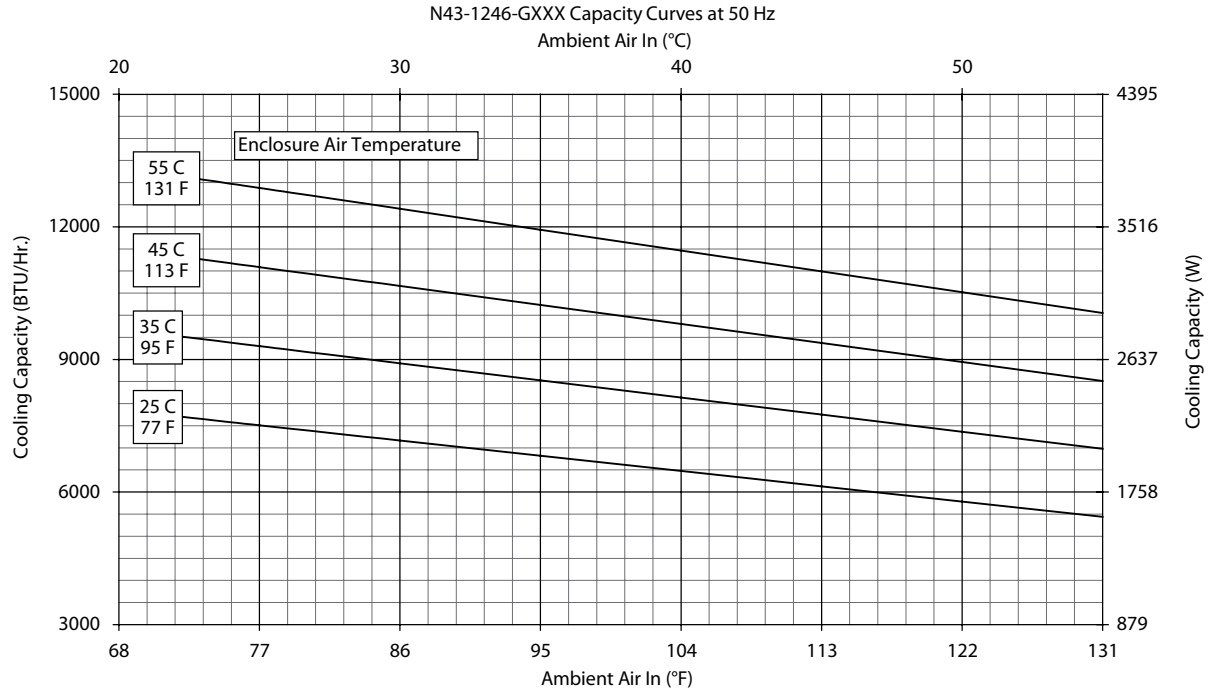
N43-1216-GXXX Capacity Curves at 60 Hz



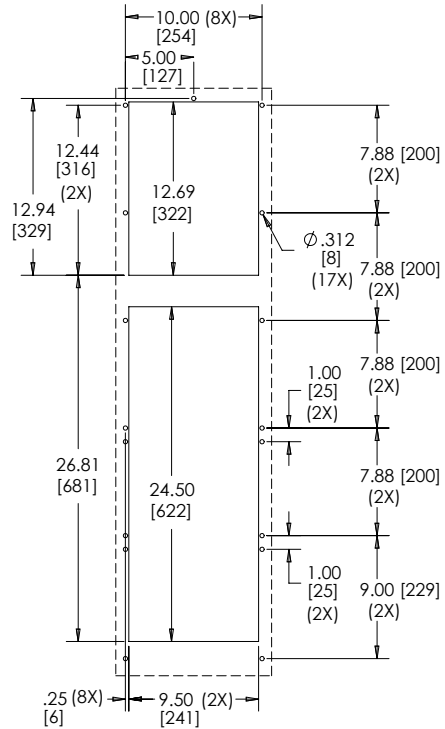
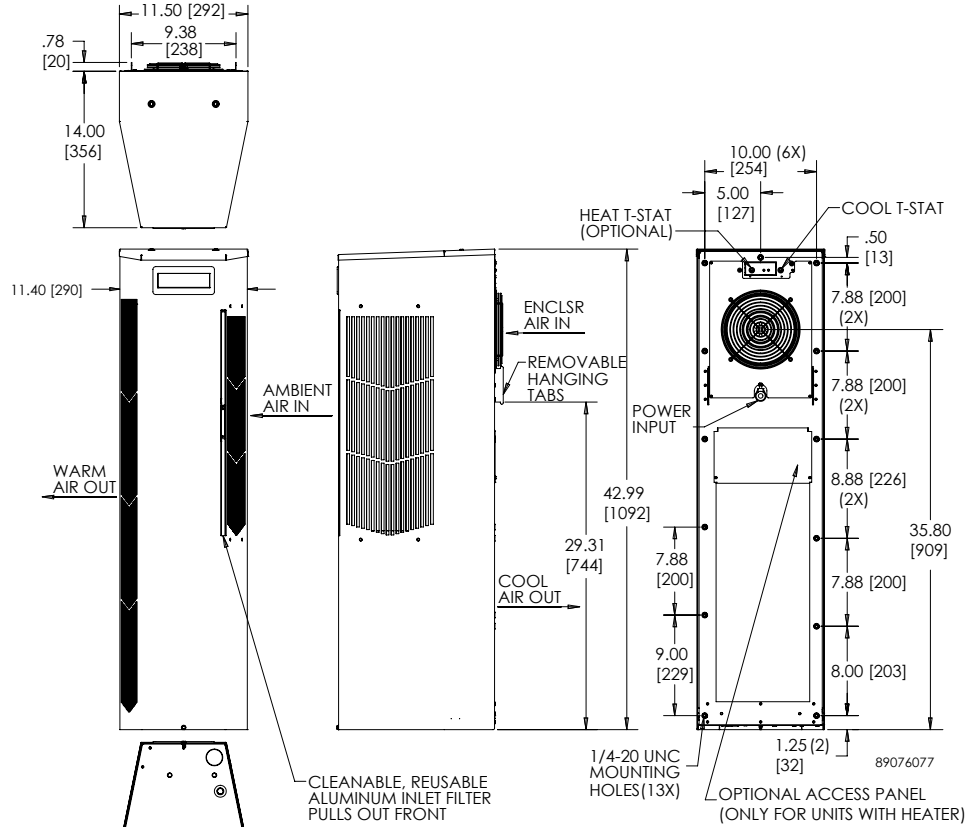
Performance Curves for N43 Models 11000 BTU/Hr. (3223 Watt)



Performance Curves for N43 Models 11000 BTU/Hr. (3223 Watt)



N43 12000 BTU/Hr. (3516 Watt)



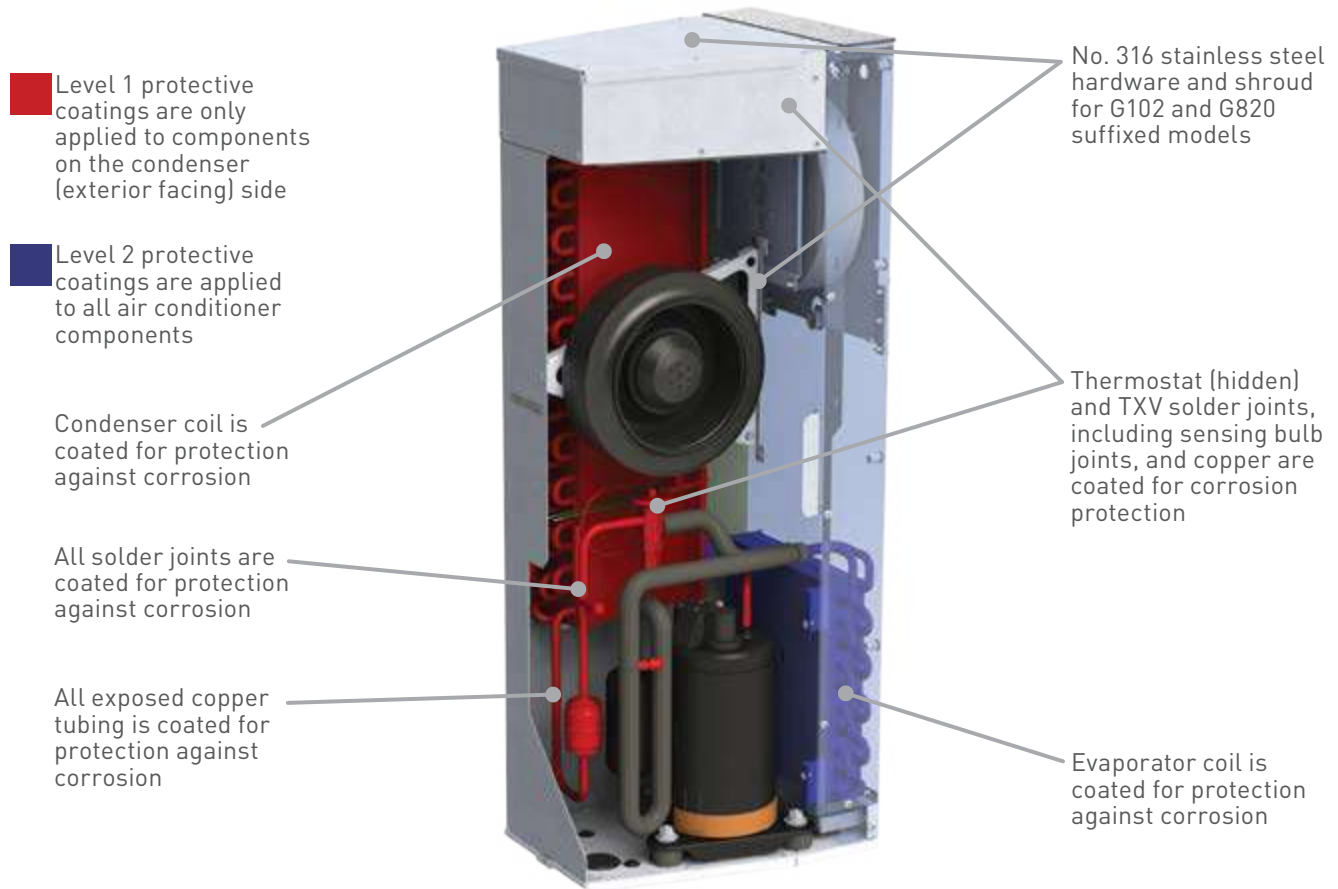
Visit nVent.com/HOFFMAN to download 2D and 3D CAD drawings into the overall design of your electrical system.



SPECTRACOOL NARROW WITH ADVANCED CORROSION PROTECTION OVERVIEW



SPECTRACOOL Corrosion Protection Solutions provide the industry leading corrosion protection to components critical to the performance of the air conditioner. For applications where air conditioners are exposed to harsh, corrosive, chemical elements. Hoffman utilizes advanced coatings to protect the critical components, extending their life and optimizing the extended performance level of the product.



SPECTRACOOL NARROW WITH ADVANCED CORROSION PROTECTION COMPACT



N16 115/230 Volt
800 BTU/Hr.
234 Watt

N21 115/230 Volt
2000 BTU/Hr.
586 Watt

INDUSTRY STANDARDS

UL/cUL Listed; Type 12, 3R, 4, 4X optional; File No. SA6453
UR/cUR Recognized on select models for N16 and N21

CE
IP 54 Internal Loop
IP 34 External Loop
EAC
Telcordia GR-487 capable
Reference performance data tables for agency approvals applied to each model.

APPLICATION

- Oil and gas
- Water treatment facilities
- Chemical manufacturing
- Industrial automation
- Package handling equipment
- Security and defense systems

FEATURES

- Two levels of corrosion protection:
 - Level 1 - Protective coatings only applied to components on the condenser (exterior facing) side
 - Level 2 - Protective coatings applied to all air conditioner components
- Narrow design accommodates 12-in. deep cabinets
- R134a earth-friendly refrigerants
- Models for 115, 230 and 400/460 VAC power input
- UL Listed to save customers time and money with agency approvals
- Attractive industrial design with minimal use of visible fasteners
- Reliable mechanical thermostat is located behind the cover of the unit; Air Conditioner models include digital display on ambient side
- Galvanized sheet-metal cover for rugged factory environments
- Easy-mount flanges for simple installation
- Cutout adapter options for enclosures with GENESIS air conditioners enable users to easily transition to the new unit
- Dust-resistant condenser coil allows the unit to be run filterless in most applications
- Cleanable, reusable aluminum mesh filter protects coils for maximum cooling performance
- Mounting hardware, gaskets and user manual furnished with the unit
- Every unit functionally tested before shipping
- Standard Indoor Air Conditioner models also include:
 - Active condensate management
 - Power-off relay for door switch and other system requirements
 - Malfunction switch



SPECIFICATIONS

- Nominal cooling capacity:
 - N16 800 BTU/Hr. (234 W)
 - N21 2000 BTU/Hr. (586 W)
- Operating temperature range from 50 F/10 C to 125 F/52 C

FINISH

- RAL 7035 light-gray, semi-textured powder-coat paint
- No. 4 brushed 316 stainless steel
- Other colors and textures available

NOTES

Visit <http://hoffman.nvent.com/en/hoffman/SPECTRACOOL-Remote-Access-Control-472042> for more information regarding SPECTRACOOL Remote Access Control (RAC).

Visit <https://hoffman.nvent.com/en/hoffman/thermal-management> to download 2D and 3D CAD drawings into the overall design of your electrical system.



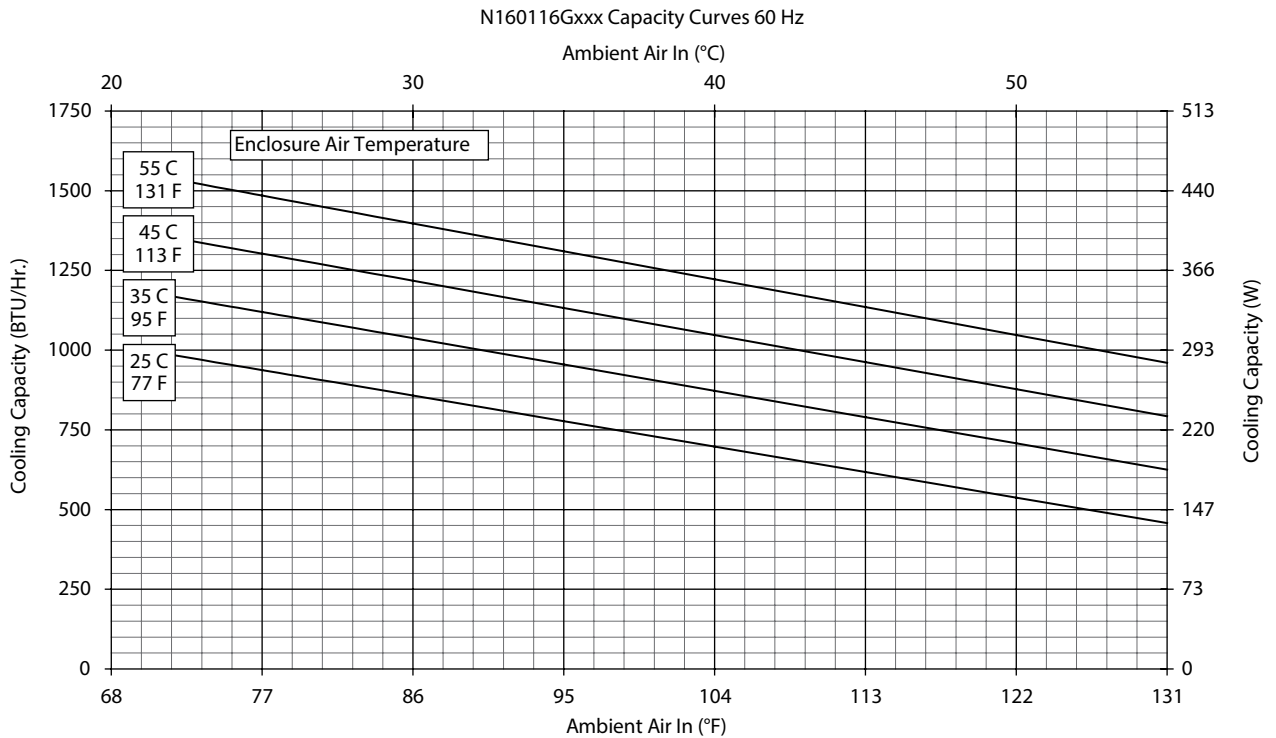
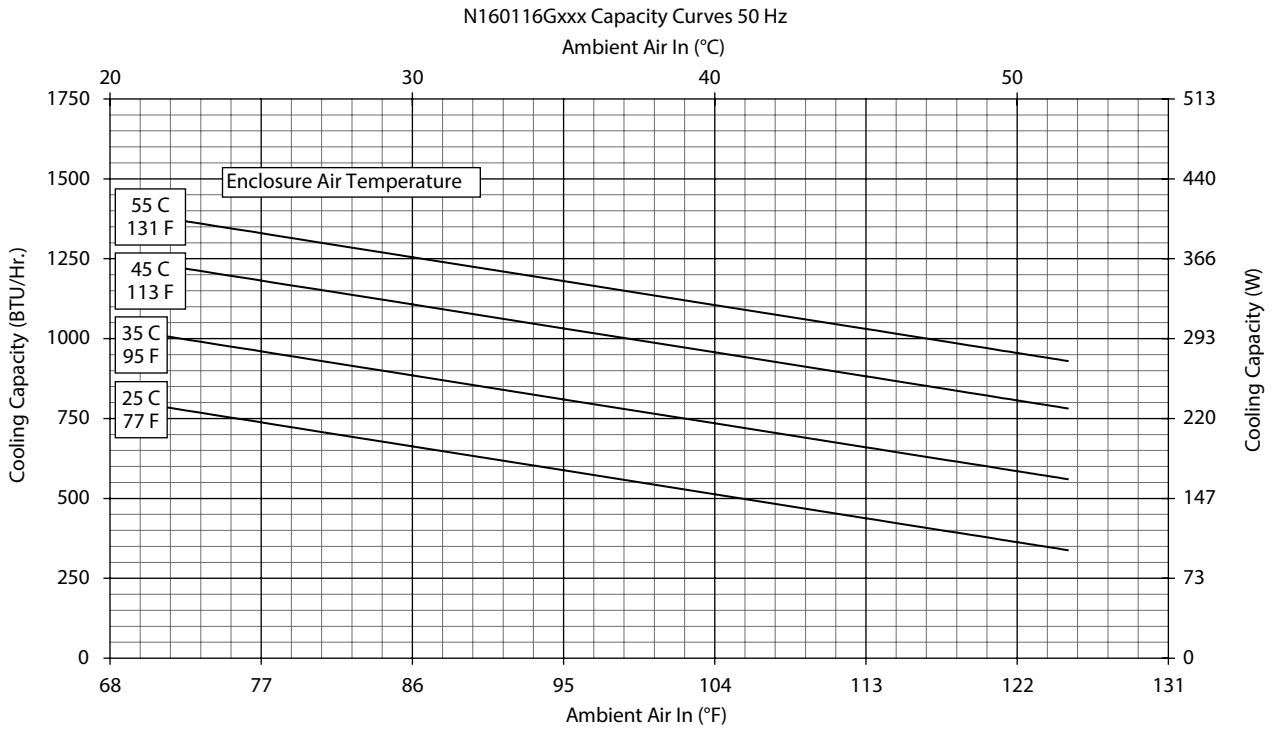
Performance Data **N16 800 BTU/Hr. (234 Watt) Models**


CATALOG NUMBER		
Level 1 Painted Galvanized - G700	N160116G700	N160126G700
Level 1 Stainless Steel 316 - G102	N160116G102	N160126G102
Level 2 Painted Galvanized - G800	N160116G800	N160126G800
Level 2 Painted with Remote Access Control - G360*	N160116G360	N160126G360
Level 2 Stainless Steel 316 - G802	N160116G802	N160126G802
COOLING PERFORMANCE		
Nominal:**		
BTU/Hr.	800	800
Watts	234	234
At 131 F/131 F (55 C/55 C):		
BTU/Hr. (50/60 Hz)	NA/819	920/960
W (50/60 Hz)	NA/240	270/281
At 95 F/95 F (35 C/35 C):		
BTU/Hr. (50 /60 Hz)	770/948	810/955
W (50/60 Hz)	226/278	237/280
Refrigerant	R134A	R134A
Refrigerant Charge (ounces/grams)	4/113	3.8/107
Operating Temperature Range:		
Maximum (°F/°C)	131/55	125/131/52/55
Minimum (°F/°C)	-40/-40	-40/-40
Airflow at 0 Static Pressure:		
Internal loop 50 Hz (CFM / m ³ /hr.)	25/42	25/42
External loop 50 Hz (CFM / m ³ /hr.)	48/82	48/82
Internal loop 60 Hz (CFM / m ³ /hr.)	30/51	30/51
External loop 60 Hz (CFM / m ³ /hr.)	53/90	53/90
Max. Heater W (Outdoor Models)	150	150
ELECTRICAL DATA		
Rated Voltage	100/115	220/230
Frequency (Hz)	50/60	50/60
Operating Range	+/- 10%	+/- 10%
Max. Power Consumption (W at 50/60 Hz)	360/403	330/345
Max. Nominal Current (A at 50/60 Hz)	3.8/3.7	1.6/1.6
Starting Current (A)	8.0/9.2	3.3/3.1
Agency Approvals	cUL Listed CE EAC Others available upon request	
Power Input Description	Terminal Block	Terminal Block
ENCLOSURE PROTECTION		
UL Type	Type 12, 3R, 4 standard Type 4X Stainless steel optional	
CONTROLLER		
Description	Basic mechanical thermostat	
Thermostat Location	Enclosure behind front panel	
Factory Thermostat Setting (°F/°C)	80/27	
SOUND LEVEL		
At 1.5 Meters	63 dB(A)	
UNIT DIMENSIONS		
Height (in./mm)	16.51/419	
Width (in./mm)	7.52/191	
Depth (in./mm)	6.30/160	
Weight (lb./kg)	27/12	

*Units with Remote Access Control utilize a digital controller and communicate via EtherNet/IP, Profinet, Modbus TCP/IP and SNMP over ethernet or modbus RTU over USB.

**Performance values are nominal. For actual values, see performance curves.

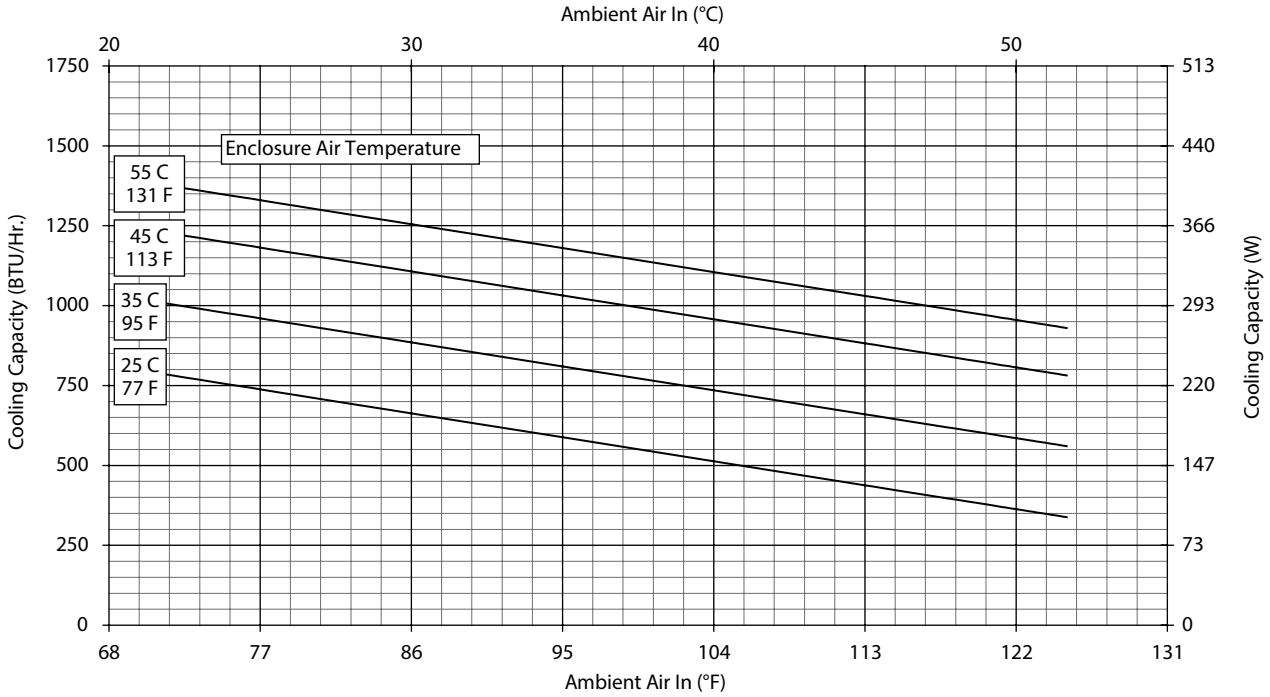
Performance Curves for N16 Models 800 BTU/Hr. (234 Watt)



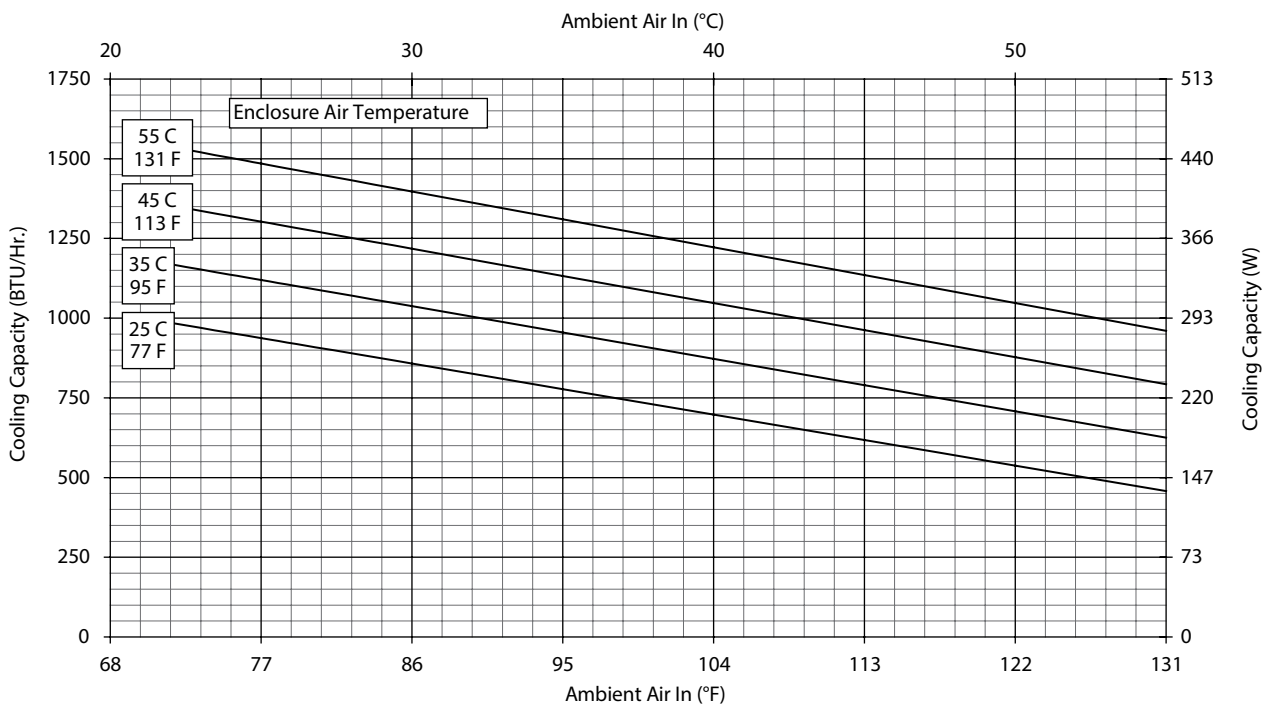
Performance Curves for N16 Models 800 BTU/Hr. (234 Watt)



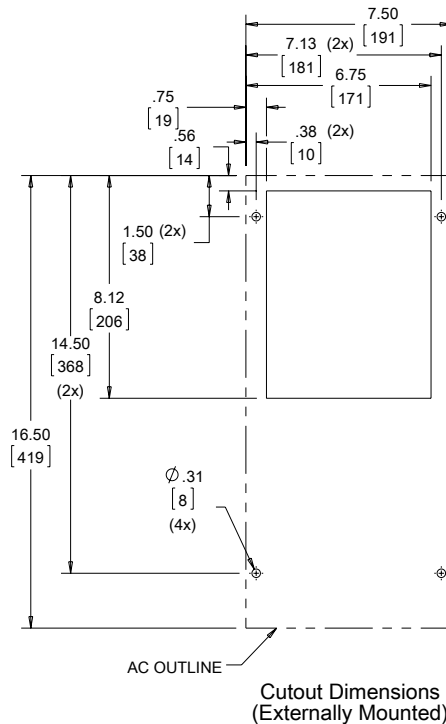
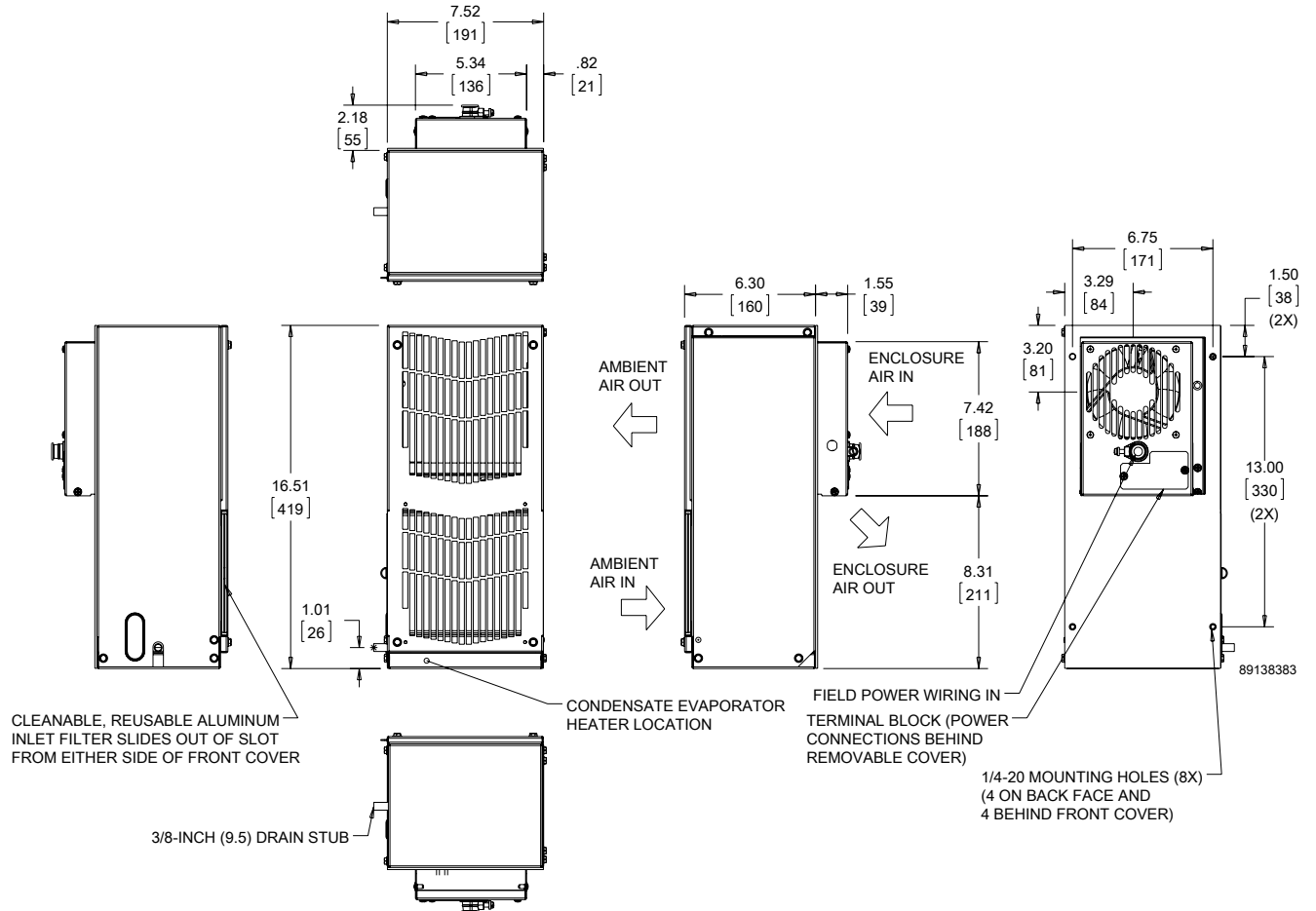
N160126Gxxx Capacity Curves 50 Hz



N160126Gxxx Capacity Curves 60 Hz



N16 800 BTU/Hr. (234 Watt)



Visit nVent.com/HOFFMAN to download 2D and 3D CAD drawings into the overall design of your electrical system.

Performance Data N21 2000 BTU/Hr. (586 Watt) Models

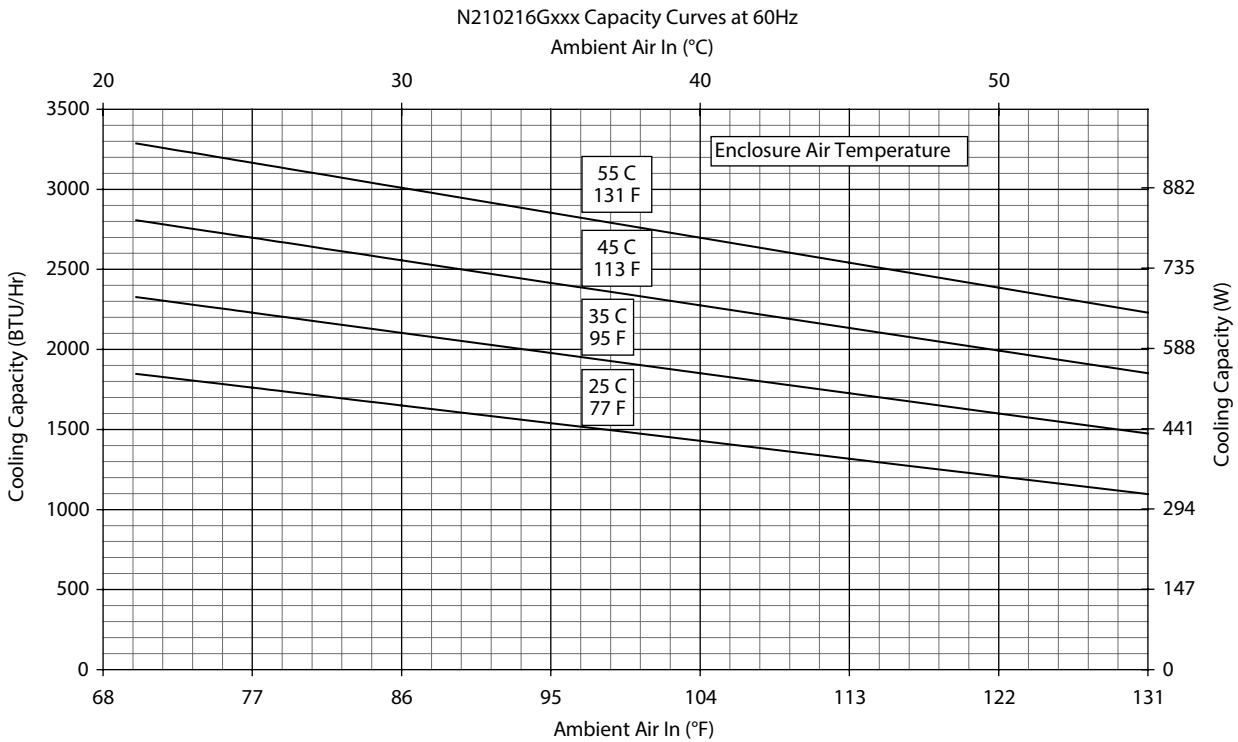
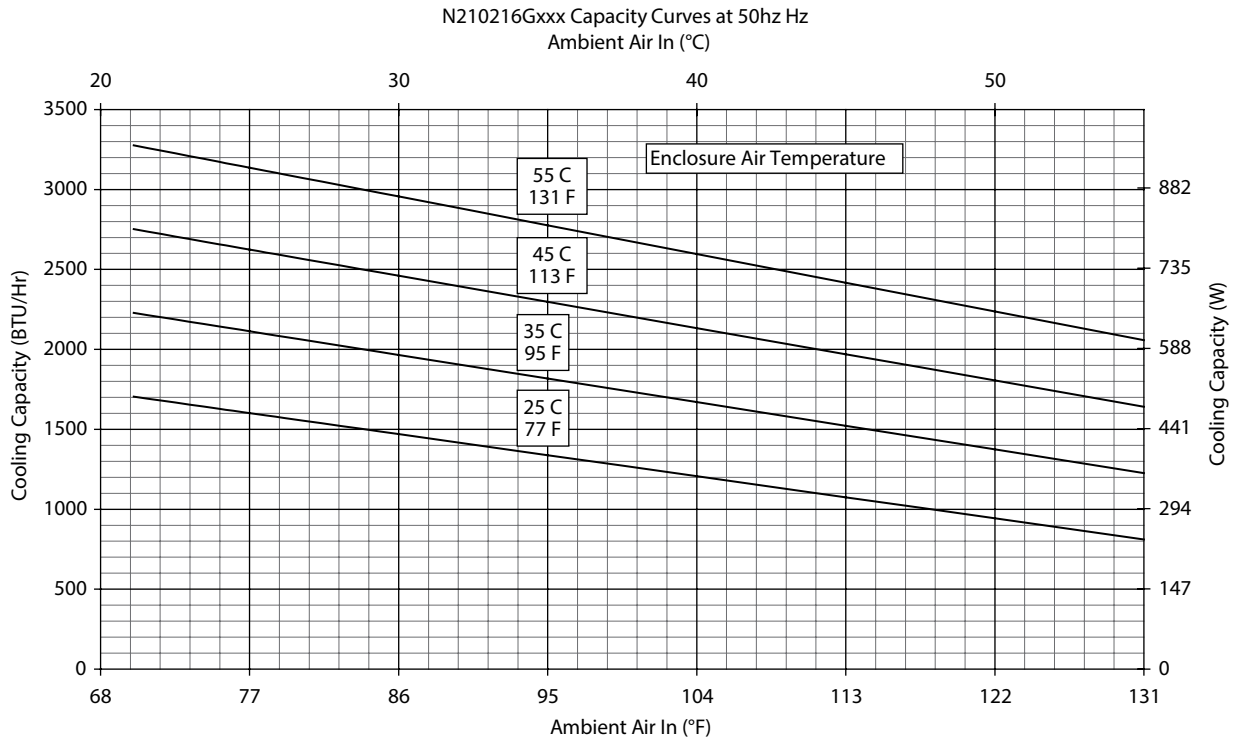


CATALOG NUMBER			
Level 1 Painted Galvanized - G700	N210216G700	N210226G700	N210246G700
Level 1 Stainless Steel 316 - G102	N210216G102	N210226G102	N210246G102
Level 2 Painted Galvanized - G800	N210216G800	N210226G800	N210246G800
Level 2 Painted with Remote Access Control - G360*	N210216G360	N210226G360	N210246G360
Level 2 Stainless Steel 316 - G802	N210216G802	N210226G802	N210246G802
COOLING PERFORMANCE			
Nominal:**			
BTU/Hr.	2000	2000	2000
Watts	586	586	586
At 131 F/131 F (55 C/55 C):			
BTU/Hr. (50/60 Hz)	2000/2175	2000/2175	2000/2175
W (50/60 Hz)	586/637	586/637	586/637
At 95 F/95 F (35 C/35 C):			
BTU/Hr. (50/60 Hz)	1950/2200	1950/2200	1950/2200
W (50/60 Hz)	571/645	571/645	571/645
Refrigerant	R134A	R134A	R134A
Refrigerant Charge (ounces/grams)	6.5/184	6.5/184	6.5/184
Operating Temperature Range:			
Maximum (°F/°C)	131/55	131/55	131/55
Minimum (°F/°C)	-40/-40	-40/-40	-40/-40
Airflow at 0 Static Pressure:			
Internal loop 50 Hz (CFM / m ³ /hr.)	77/131	77/131	77/131
External loop 50 Hz (CFM / m ³ /hr.)	150/255	150/255	150/255
Internal loop 60 Hz (CFM / m ³ /hr.)	91/155	91/155	91/155
External loop 60 Hz (CFM / m ³ /hr.)	165/280	165/280	165/280
Max. Heater W (Outdoor Models)	500	500	500
ELECTRICAL DATA			
Rated Voltage	115	230	460V 1PH
Frequency (Hz)	50/60	50/60	50/60
Operating Range	+/- 10%	+/- 10%	+/- 10%
Max. Power Consumption (W at 50/60 Hz)	700/805	805	874
Max. Nominal Current (A at 50/60 Hz)	7.2/7.2	3.6/3.6	1.9
Starting Current (A)	19	7.6	7.2
Agency Approvals	cUL Listed CE EAC		cUR Recognized CE EAC
	Others available upon request		
Power Input Description	Terminal Block	Terminal Block	Terminal Block
ENCLOSURE PROTECTION			
UL Type	Type 12, 3R, 4 standard Type 4X Stainless steel optional		
CONTROLLER			
Description	Basic mechanical thermostat		
Thermostat Location	Enclosure side on all base models		
Factory Thermostat Setting (°F/°C)	80/2780/27		
SOUND LEVEL			
At 1.5 Meters	66 dB(A)		
UNIT DIMENSIONS			
Height (in./mm)	20.92/531	20.92/531	25.17/614
Width (in./mm)	10.00/254	10.00/254	10.00/254
Depth (in./mm)	9.90/251	9.90/251	9.90/251
Weight (lb./kg)	56/25	56/25	66/30

*Units with Remote Access Control utilize a digital controller and communicate via EtherNet/IP, Profinet, Modbus TCP/IP and SNMP over ethernet or modbus RTU over USB.

**Performance values are nominal. For actual values, see performance curves.

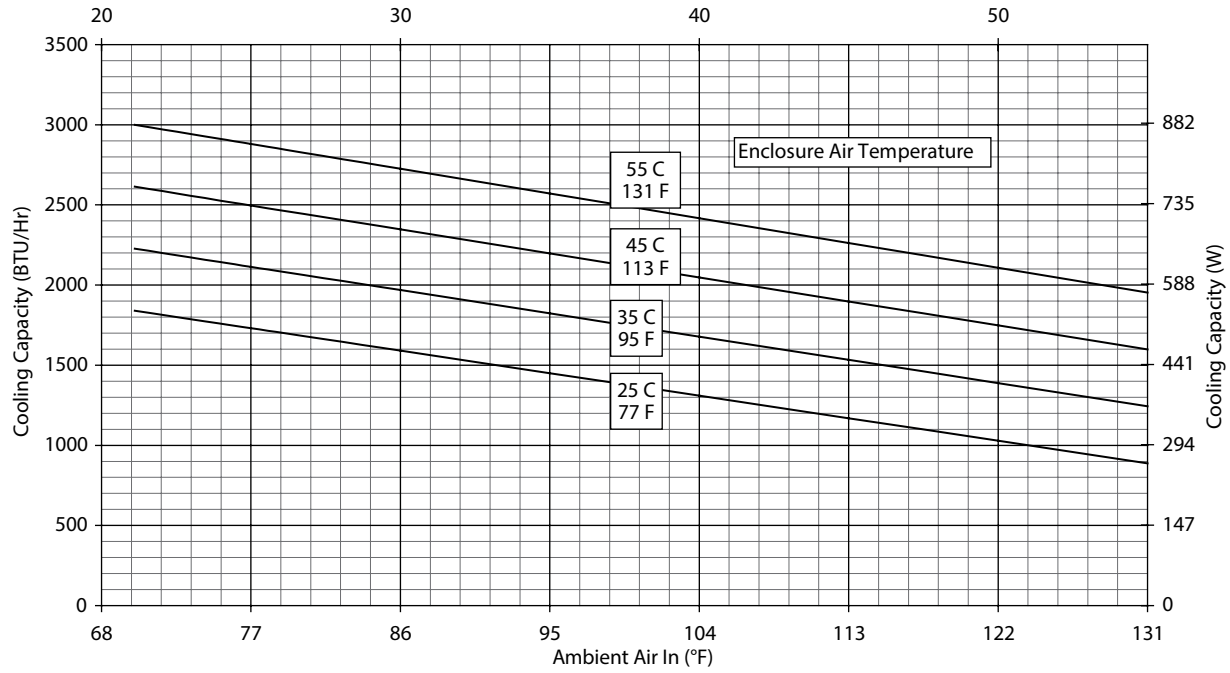
Performance Curves for N21 Models 2000 BTU/Hr. (586 Watt)



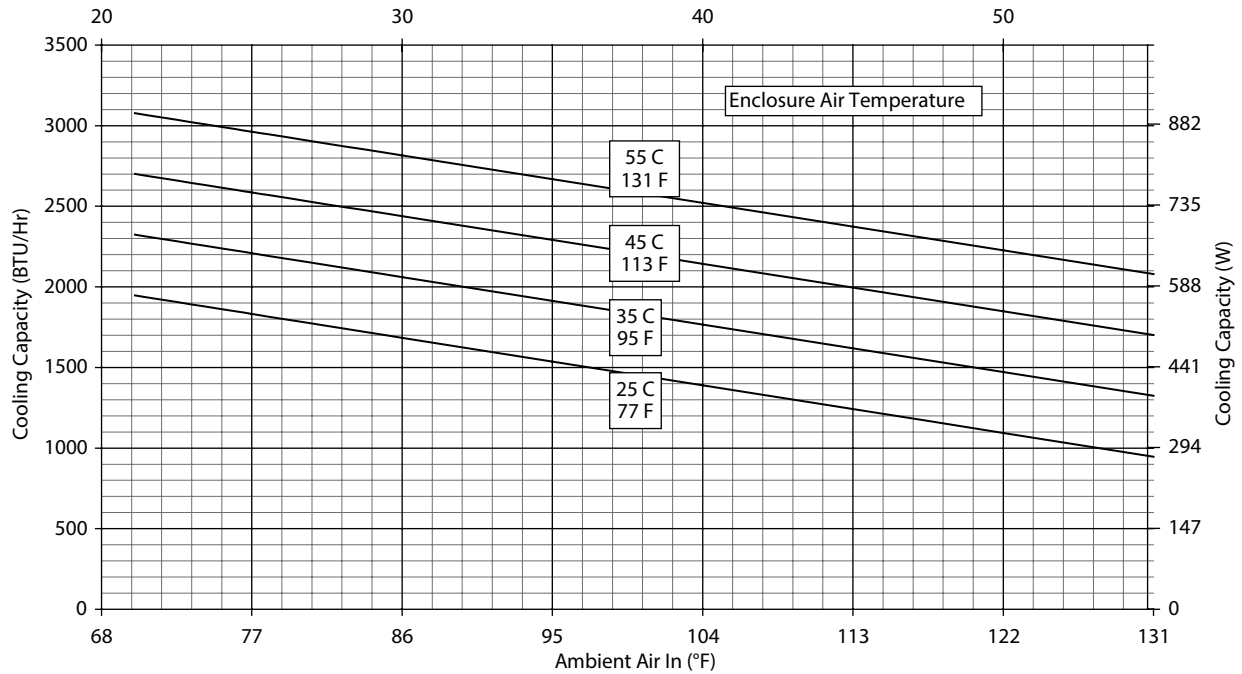
Performance Curves for N21 Models 2000 BTU/Hr. (586 Watt)



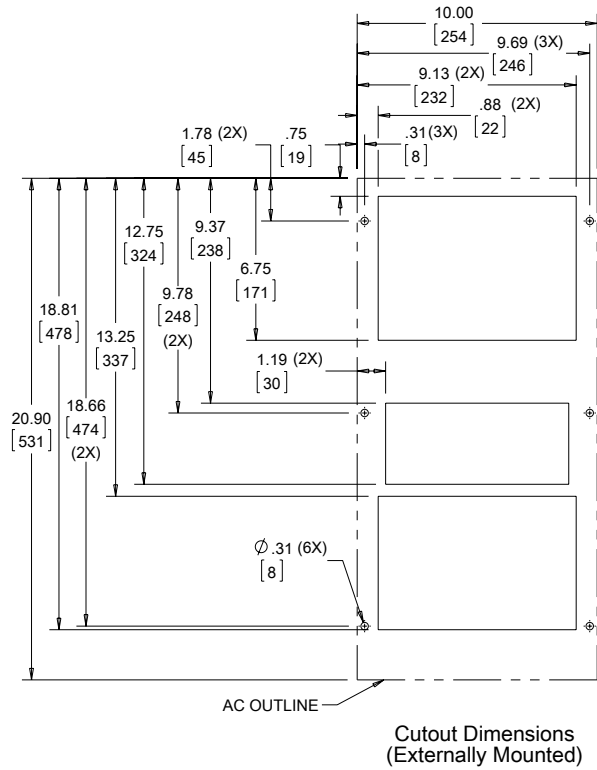
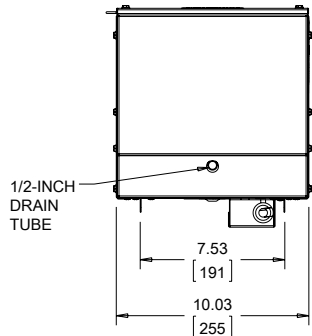
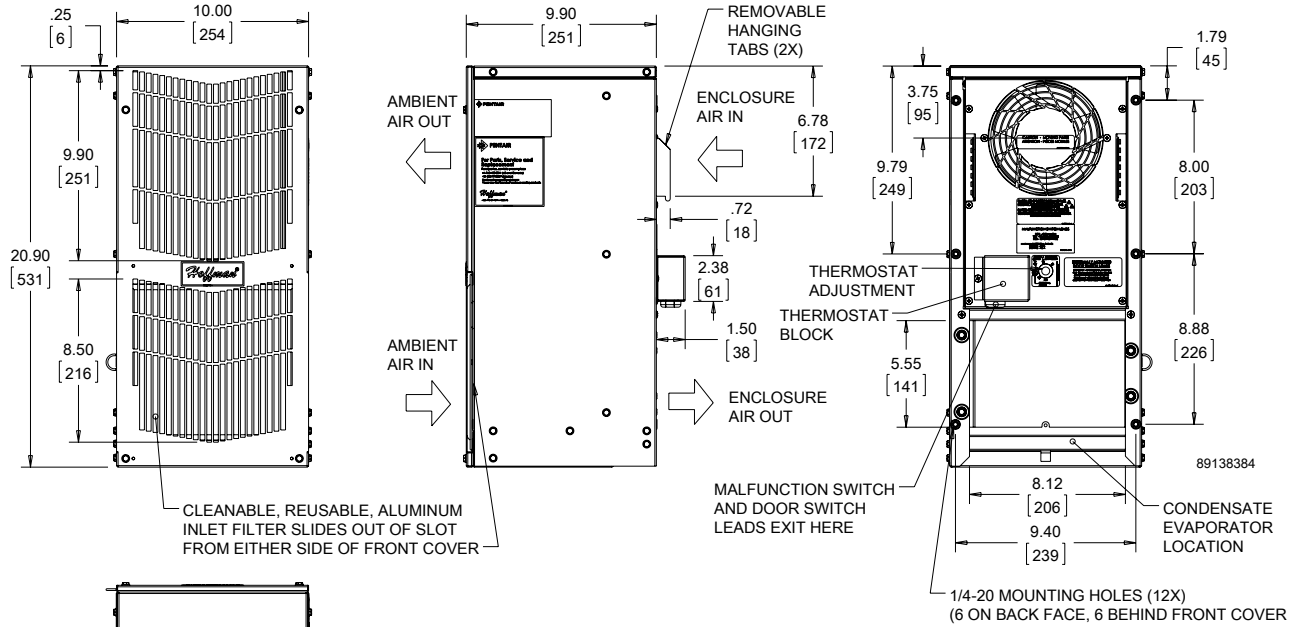
N2102(2/4)6Gxxx Capacity Curves at 50 Hz
Ambient Air In (°C)



N2102(2/4)6Gxxx Capacity Curves at 60 Hz
Ambient Air In (°C)

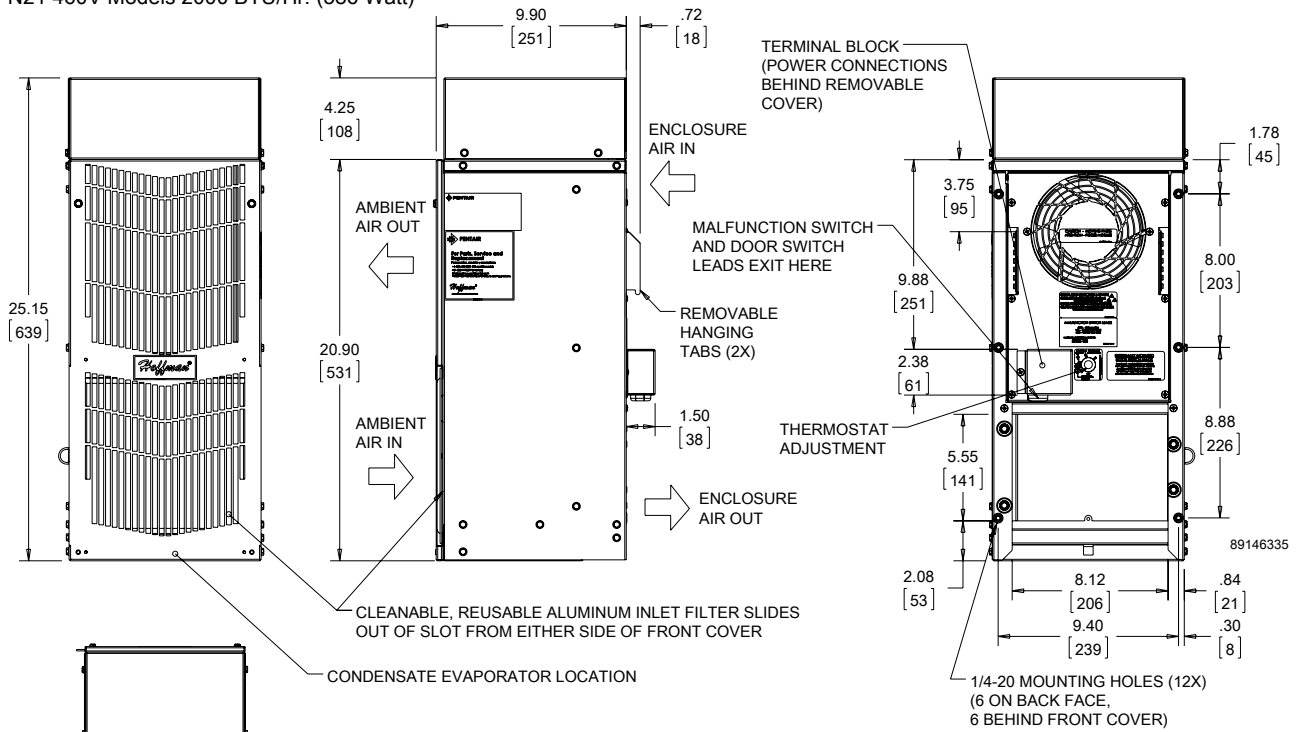


N21 115/230V Models 2000 BTU/Hr. (586 Watt)



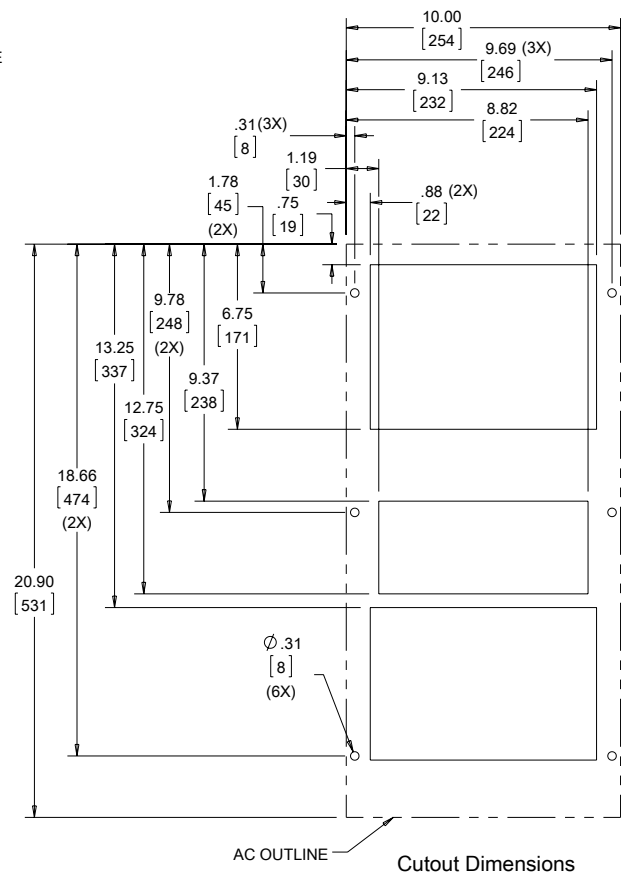
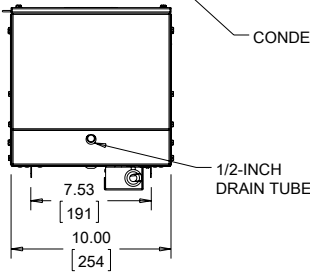
Visit nVent.com/HOFFMAN to download 2D and 3D CAD drawings into the overall design of your electrical system.

N21 460V Models 2000 BTU/Hr. (586 Watt)



CLEANABLE, REUSABLE ALUMINUM INLET FILTER SLIDES OUT OF SLOT FROM EITHER SIDE OF FRONT COVER

CONDENSATE EVAPORATOR LOCATION



Visit nVent.com/HOFFMAN to download 2D and 3D CAD drawings into the overall design of your electrical system.

SPECTRACOOL NARROW WITH ADVANCED CORROSION PROTECTION



N43 11000 BTU/Hr. 3223 Watt	N36 6000/8000 BTU/Hr. 1758/2344 Watt	N28 4000 BTU/Hr. 1172 Watt
--	---	---

INDUSTRY STANDARDS

UL/cUL Listed; Type 12, 3R, 4; 4X optional; File No. SA6453

CE
IP 56 Internal Loop
IP 34 on External Loop
Telcordia GR-487 capable (Outdoor)

APPLICATION

- Industrial automation
- Telecommunications equipment
- Waste water treatment systems
- Package handling equipment
- Security and defense systems
- Oil and gas
- Water treatment facilities
- Chemical manufacturing

FEATURES

- Two levels of corrosion protection:
 - Level 1 - Protective coatings only applied to components on the condenser (exterior facing) side
 - Level 2 - Protective coatings applied to all air conditioner components
- Narrow design accommodates 12-in. (300-mm) deep cabinets
- Energy efficient reciprocating compressor on N28 models
- Energy efficient rotary compressor on N36 and N43 models
- R407c and R134a earth-friendly refrigerants
- Models for 115, 230 and 400/460 3-phase VAC power input
- UL Listed to save customers time and money with agency approvals
- Outdoor model operating temperature range from -40 F/-40 C to 131 F/55 C (125 F/52 C on N28 Series)
- Attractive industrial design with minimal use of visible fasteners
- Reliable mechanical thermostat on enclosure side of the unit; indoor Air Conditioner models include digital display on ambient side
- Galvanized sheet-metal cover for rugged factory and outdoor environments
- Easy-mount flanges for simple installation
- Cut-out adapter options for enclosures with GENESIS air conditioners enable users to easily transition to the new unit
- Dust-resistant condenser coil allows the unit to be run filterless in most applications
- Cleanable, reusable aluminum mesh filter protects coils for maximum cooling performance
- Mounting hardware, gaskets and user manual furnished with the unit
- Every unit functionally tested before shipping
- Standard Indoor Air Conditioner models also include:
 - Active condensate management with heater strip
 - Power-off relay for door switch and other system requirements
 - Malfunction switch
- Standard Outdoor Air Conditioner models also include:
 - Telcordia GR-487 capable
 - Corrosion-resistant components
 - Malfunction switch
 - Compressor heater
 - Head pressure control
 - 1300 W enclosure heater



SPECIFICATIONS

- Nominal cooling capacity:
 - N28 4000 BTU/Hr. (1172 W)
 - N36 6000 & 8000 BTU/Hr. (1758 and 2344 W)
 - N43 11000 BTU/Hr. (3223 W)
- Outdoor model operating temperature range from -40 F/-40 C to 131 F/55 C (125 F/52 C on N28 Series)

FINISH

- RAL 7035 light-gray, semi-textured powder-coat paint
- No. 4 brushed 316 stainless steel
- Other colors and textures available

NOTES

Visit <http://hoffman.nvent.com/en/hoffman/SPECTRACOOL-Remote-Access-Control-472042> for more information regarding SPECTRACOOL Remote Access Control (RAC).

Visit <https://hoffman.nvent.com/en/hoffman/thermal-management> to download 2D and 3D CAD drawings into the overall design of your electrical system.

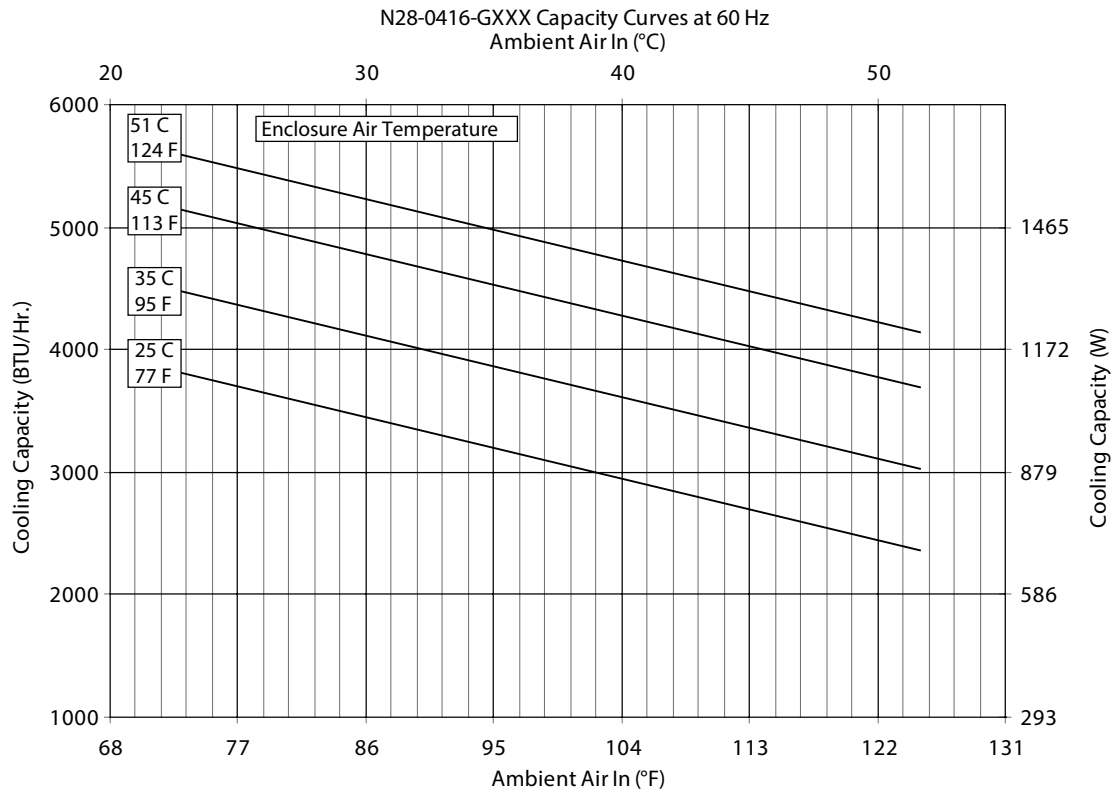
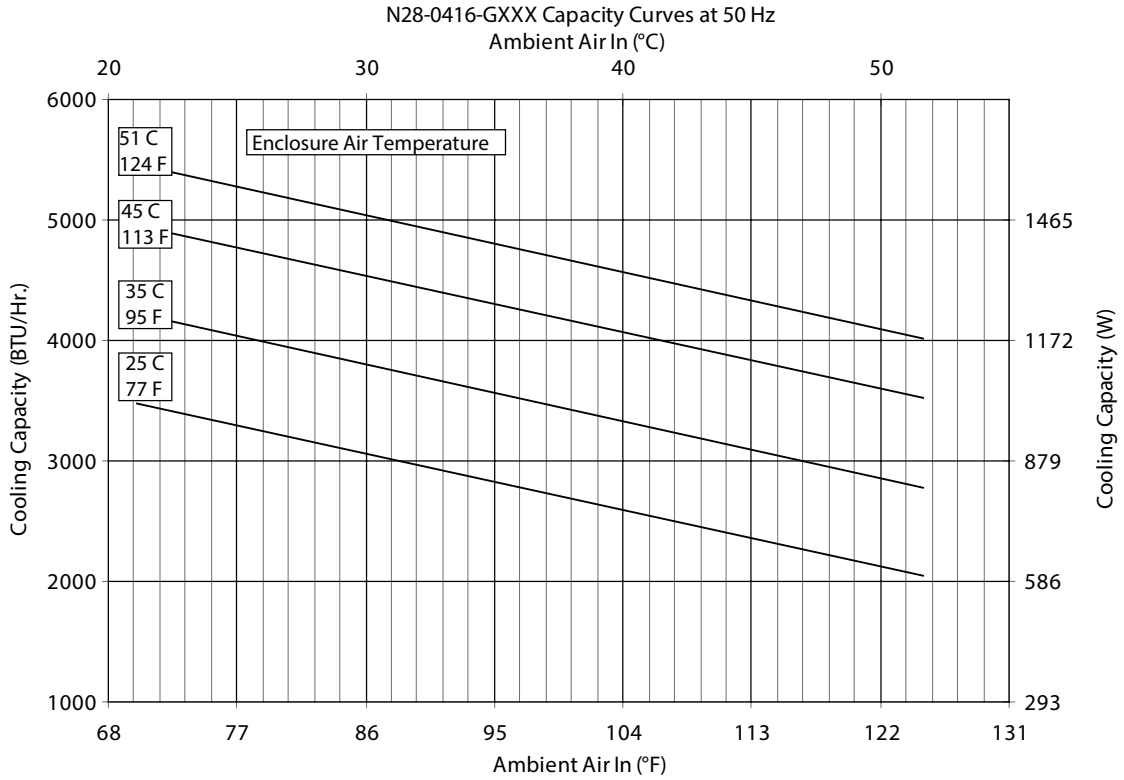
Performance Data **N28 4000 BTU/Hr. (1172 Watt)**


CATALOG NUMBER			
Level 1 Painted Galvanized - G700	N280416G700	N280426G700	N280446G700
Level 1 Stainless Steel 316 - G102	N280416G102	N280426G102	N280446G102
Level 2 Painted Galvanized - G800	N280416G800	N280426G800	N280446G800
Level 2 Painted with Remote Access Control - G360*	N280416G360	N280426G360	N280446G360
Level 2 Stainless Steel 316 - G802	N280416G802	N280426G802	N280446G802
COOLING PERFORMANCE			
Nominal:**			
BTUs/Hr.	4000	4000	4000
Watts	1172	1172	1172
At 125 F / 125 F (50 C / 50 C):			
BTU/Hr. (50 / 60 Hz)	3940 / 4104	4269 / 4703	4269 / 4703
Watts (50 / 60 Hz)	1150 / 1000	1250 / 1378	1250 / 1378
At 95 F / 95 F (35 C / 35 C):			
BTU/Hr. (50 / 60 Hz)	3754 / 4011	3700 / 4291	3700 / 4291
Watts (50 / 60 Hz)	1100 / 1175	1086 / 1257	1086 / 1257
Refrigerant	R134a	R134a	R134a
Refrigerant Charge (ounces/grams)	10 / 283	11 / 312	11 / 312
Operating Temperature Range:			
Maximum (°F / °C)	125 / 52	125 / 52	125 / 52
Minimum (°F / °C)	-40 / -40	-40 / -40	-40 / -40
Air Flow at 0 Static Pressure:			
Internal loop 50 Hz (CFM / M ³ /Hr)	138 / 234	138 / 234	138 / 234
External loop 50 Hz (CFM / M ³ /Hr)	268 / 455	268 / 455	268 / 455
Internal loop 60 Hz (CFM / M ³ /Hr)	143 / 243	143 / 243	143 / 243
External loop 60 Hz (CFM / M ³ /Hr)	288 / 489	288 / 489	288 / 489
Max. Heater W (Outdoor Models)	1300	1300	N/A
ELECTRICAL DATA			
Rated Voltage	110 / 115	230	460V 1PH
Frequency (Hz)	50 / 60	50 / 60	50 / 60
Operating Range	+/-10%	+/-10%	+/-10%
Max. Power Consumption (Watts at 50 / 60 Hz)	971 / 1116	975 / 1104	1104
Max. Nominal Current (Amps at 50 / 60 Hz)	10.8/10.2	5.0/5.1	2.5
Starting Current (Amps)	40	24.5	12.5
Agency Approvals		cUL Listed CE Others available upon request	
Power Input Description		Terminal Block	
ENCLOSURE PROTECTION			
UL Type		Type 12, 3R, 4 Standard Type 4X Stainless Steel Optional	
CONTROLLER			
Description		Basic Mechanical Thermostat	
Thermostat Location		Enclosure Side	
Factory Thermostat Setting (°F / °C)		80 / 27	
SOUND LEVEL			
At 1.5 Meters	64.4 dBA	65.5 dBA	65.5 dBA
ACCESSORIES			
EASYSWAP Adaptor Plenum (GENESIS M33)		Enables SPECTRACOOOL to be mounted to a GENESIS M33 air conditioner cutout Catalog Number PLM33N28	
UNIT DIMENSIONS			
Height (in / mm)		28 / 711.2	
Width (in / mm)		11.50 / 292.1	
Depth (in / mm)		14.00 / 355.6	
Weight (lb / kg)	84 / 38	84 / 38	92 / 41.7

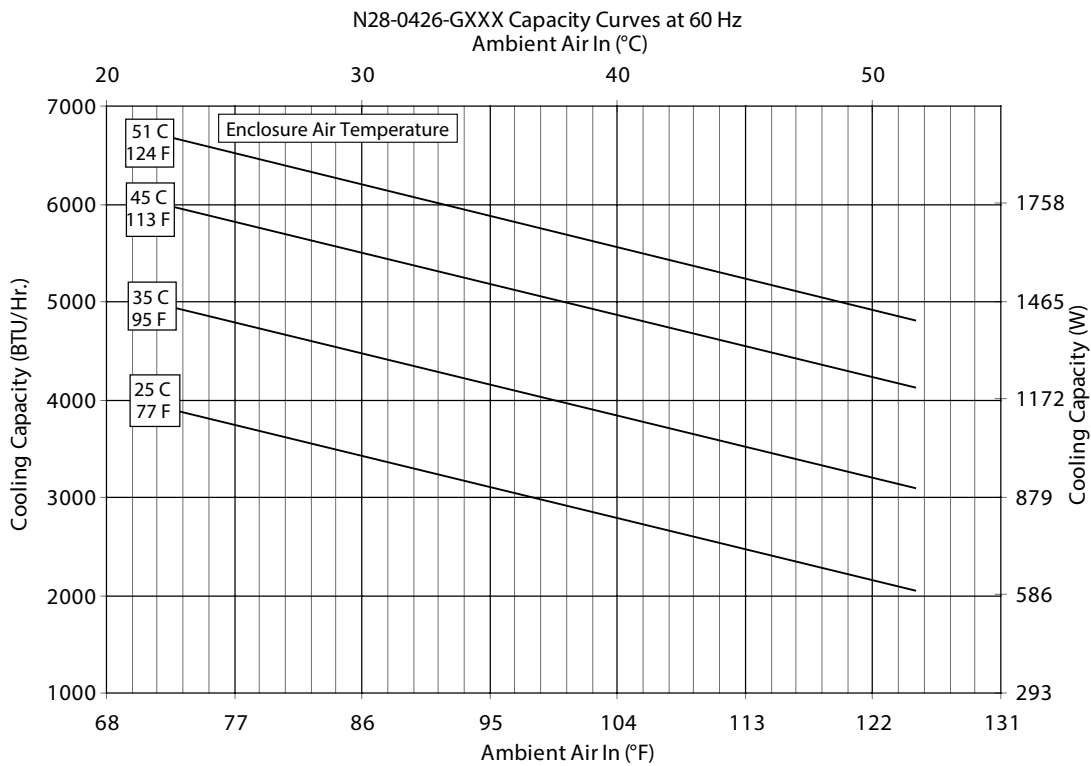
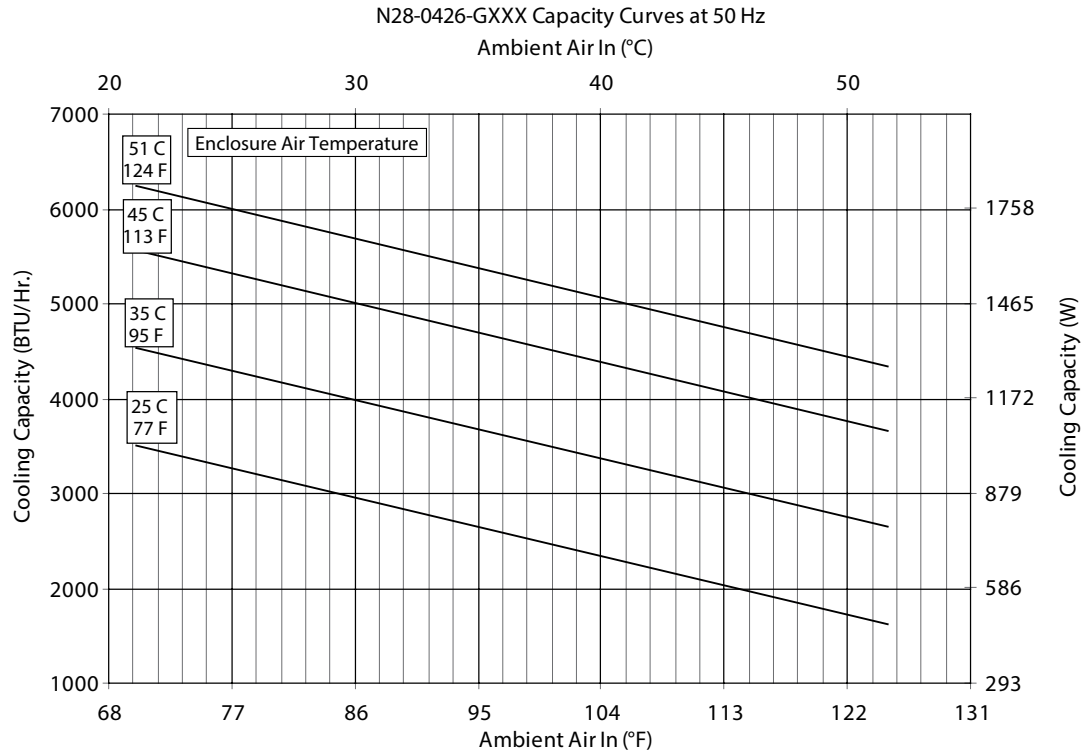
*Units with Remote Access Control utilize a digital controller and communicate via EtherNet/IP, Profinet, Modbus TCP/IP and SNMP over ethernet or modbus RTU over USB.

**Performance values are nominal. For actual values, see performance curves.

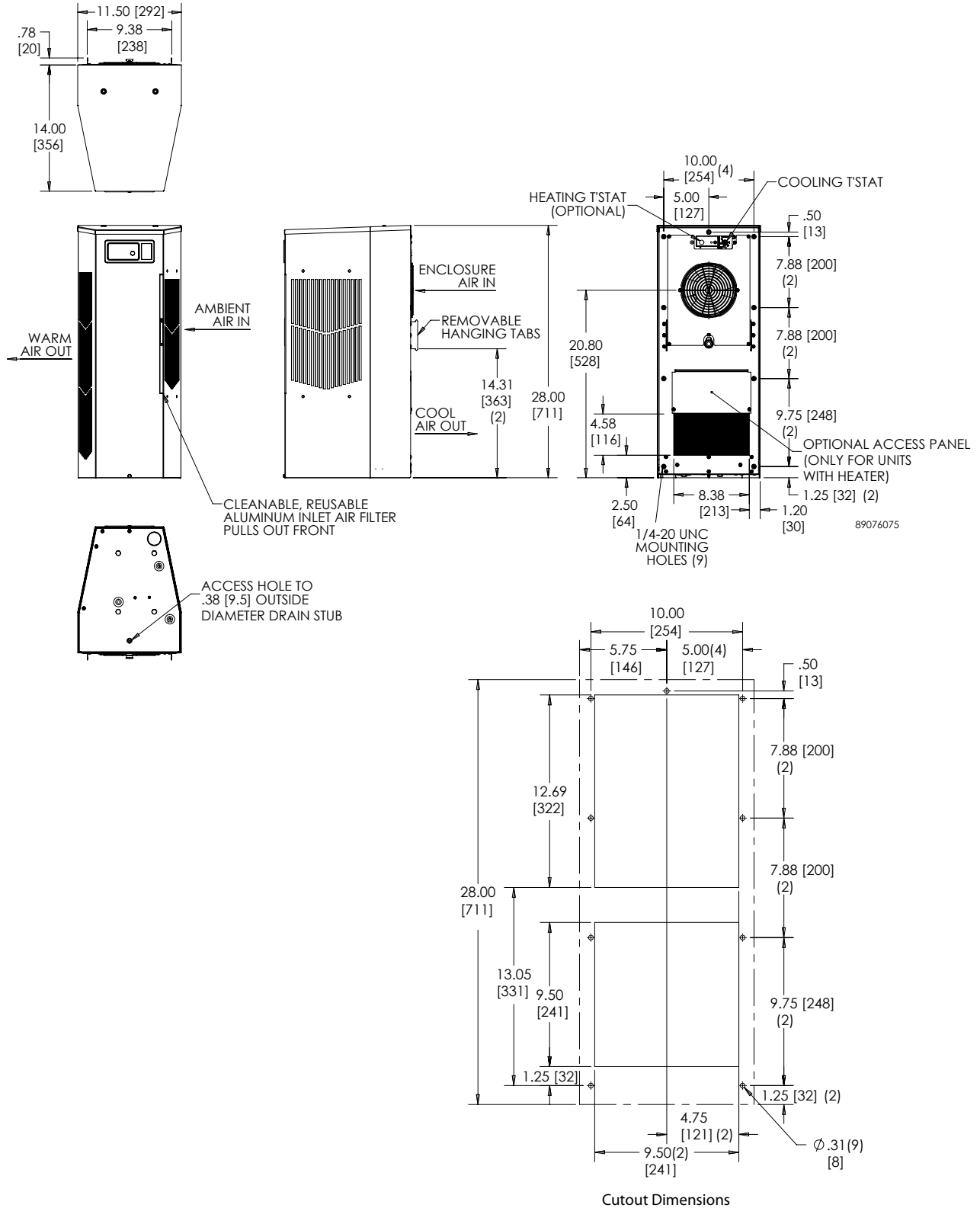
Performance Curves for N28 Models 4000 BTU/Hr. (1172 Watt)



Performance Curves for N28 Models 4000 BTU/Hr. (1172 Watt)



N28 Models 4000 BTU/Hr. (1172 Watt)



Visit nVent.com/HOFFMAN to download 2D and 3D CAD drawings into the overall design of your electrical system.

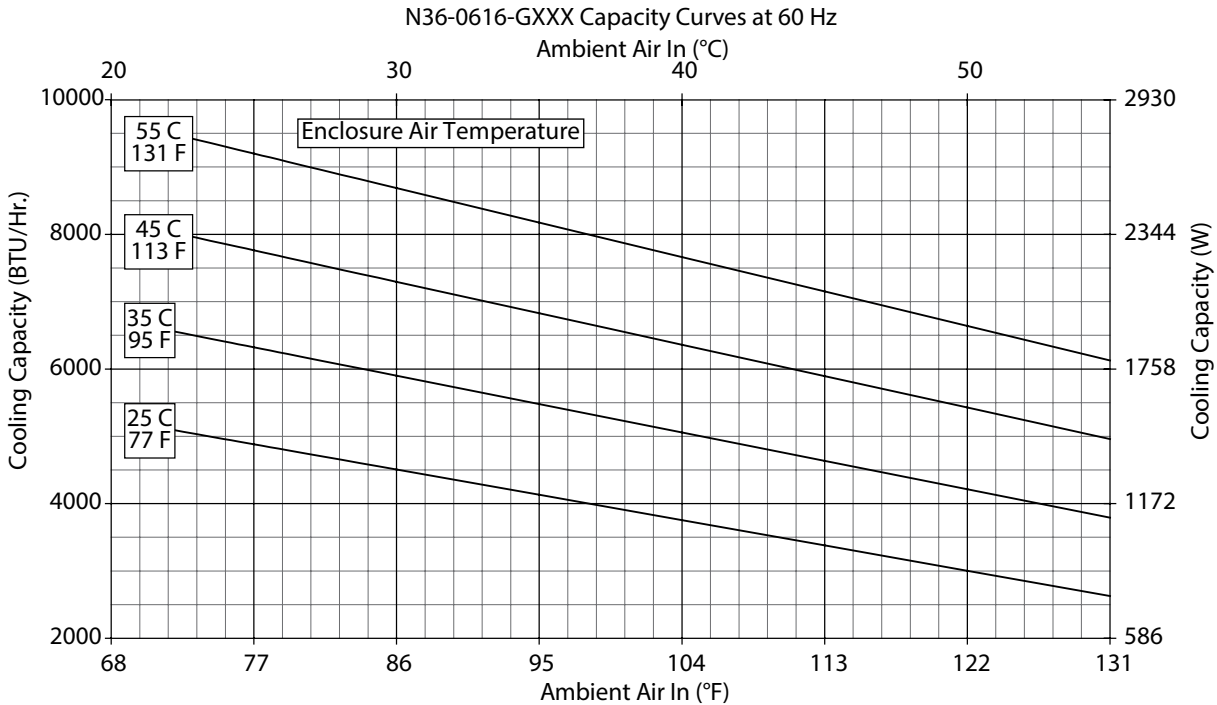
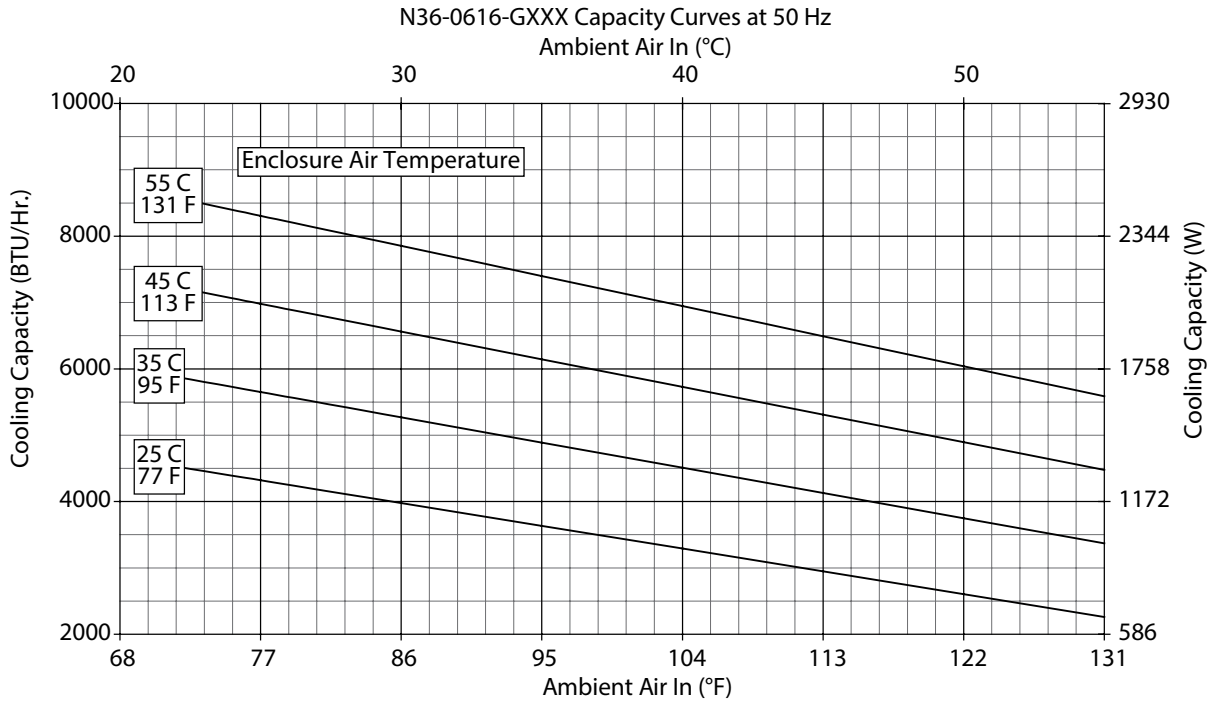
Performance Data **N36 6000/8000 BTU/Hr. (1758/2344 Watt)**


CATALOG NUMBER						
Level 1 Painted Galvanized - G700	N360616G700	N360626G700	N360646G700	N360816G700	N360826G700	N360846G700
Level 1 Stainless Steel 316 - G102	N360616G102	N360626G102	N360646G102	N360816G102	N360826G102	N360846G102
Level 2 Painted Galvanized - G800	N360616G800	N360626G800	N360646G800	N360816G800	N360826G800	N360846G800
Level 2 Painted with Remote Access Control - G360*	N360616G360	N360626G360	N360646G360	N360816G360	N360826G360	N360846G360
Level 2 Stainless Steel 316 - G802	N360616G802	N360626G802	N360646G802	N360816G802	N360826G802	N360846G802
COOLING PERFORMANCE						
Nominal:**						
BTU/Hr.	6000	6000	6000	8000	8000	8000
Watts	1757	1757	1757	2344	2344	2344
At 131 F / 131 F (55 C / 55 C):						
BTU/Hr. (50 / 60 Hz)	5585 / 6180	5469 / 5965	5300 / 6089	8213 / 8453	7874 / 8063	7777 / 8166
Watts (50 / 60 Hz)	1637 / 1811	1603 / 1748	1553 / 1785	2405 / 2475	2306 / 2361	2277 / 2391
At 95 F / 95 F (35 C / 35 C):						
BTU/Hr. (50 / 60 Hz)	4909 / 5485	5159 / 5621	5572 / 6026	7028 / 7626	6660 / 7411	6877 / 7525
Watts (50 / 60 Hz)	1439 / 1607	1512 / 1647	1633 / 1766	2058 / 2233	1950 / 2170	2014 / 2203
Refrigerant	R134a	R134a	R134a	R134a	R134a	R134a
Refrigerant Charge (ounces/grams)	20 / 567	22 / 624	16 / 454	36 / 1021	36 / 1021	36 / 1021
Operating Temperature Range:						
Maximum (°F / °C)	131 / 55	131 / 55	131 / 55	131 / 55	131 / 55	131 / 55
Minimum (°F / °C)	-40 / -40	-40 / -40	-40 / -40	-40 / -40	-40 / -40	-40 / -40
Air Flow at 0 Static Pressure:						
Internal loop 50 Hz (CFM / M ³ /Hr.)	251 / 426	250 / 425	250 / 425	250 / 425	245 / 416	243 / 413
External loop 50 Hz (CFM / M ³ /Hr.)	284 / 483	338 / 574	338 / 574	313 / 532	347 / 589	365 / 620
Internal loop 60 Hz (CFM / M ³ /Hr.)	261 / 443	261 / 443	261 / 443	263 / 447	258 / 439	254 / 432
External loop 60 Hz (CFM / M ³ /Hr.)	311 / 528	356 / 605	356 / 605	338 / 574	382 / 648	394 / 669
Max. Heater W (Outdoor Models)	1300	1300	1300	1300	1300	1300
ELECTRICAL DATA						
Rated Voltage	115	230	400 / 460 3~	115	230	400 / 460 3~
Frequency (Hz)	50 / 60	50 / 60	50 / 60	50 / 60	50 / 60	50 / 60
Operating Range	+/-10%	+/-10%	+/-10%	+/-10%	+/-10%	+/-10%
Max. Power Consumption (Watts at 50 / 60 Hz)	911 / 1108	908 / 1073	697 / 895	1334 / 1530	1265 / 1403	572 / 628
Max. Nominal Current (Amps at 50 / 60 Hz)	9.3/10.3	4.6/4.8	1.59 / 1.69	11.8/13.5	5.6/6.2	2.9/3.0
Starting Current (Amps)	39.2	23.0	8.1	48.3	27.0	16.0
Agency Approvals	cUL Listed CE Others available upon request					
Power Input Description	Terminal Block					
ENCLOSURE PROTECTION						
UL Type	Type 12, 3R, 4 Standard Type 4X Stainless Steel Optional					
CONTROLLER						
Description	Basic Mechanical Thermostat					
Thermostat Location	Enclosure Side					
Factory Thermostat Setting (°F / °C)	80 / 27					
SOUND LEVEL						
At 1.5 Meters	66.9 dBA	66.7 dBA	68.2 dBA	66.0 dBA	66.0 dBA	66.0 dBA
ACCESSORIES						
EASYSWAP Adaptor Plenum (GENESIS M36)	Enables SPECTRACOOOL to be mounted to a GENESIS M36 air conditioner cutout Catalog Number PLM36N36					
UNIT DIMENSIONS						
Height (in. / mm)	36.00 / 914.4					
Width (in. / mm)	11.50 / 292.1					
Depth (in. / mm)	14.00 / 355.6					
Weight (lb. / kg)	100 / 45	100 / 45	104 / 47	106 / 48	106 / 48	114 / 52

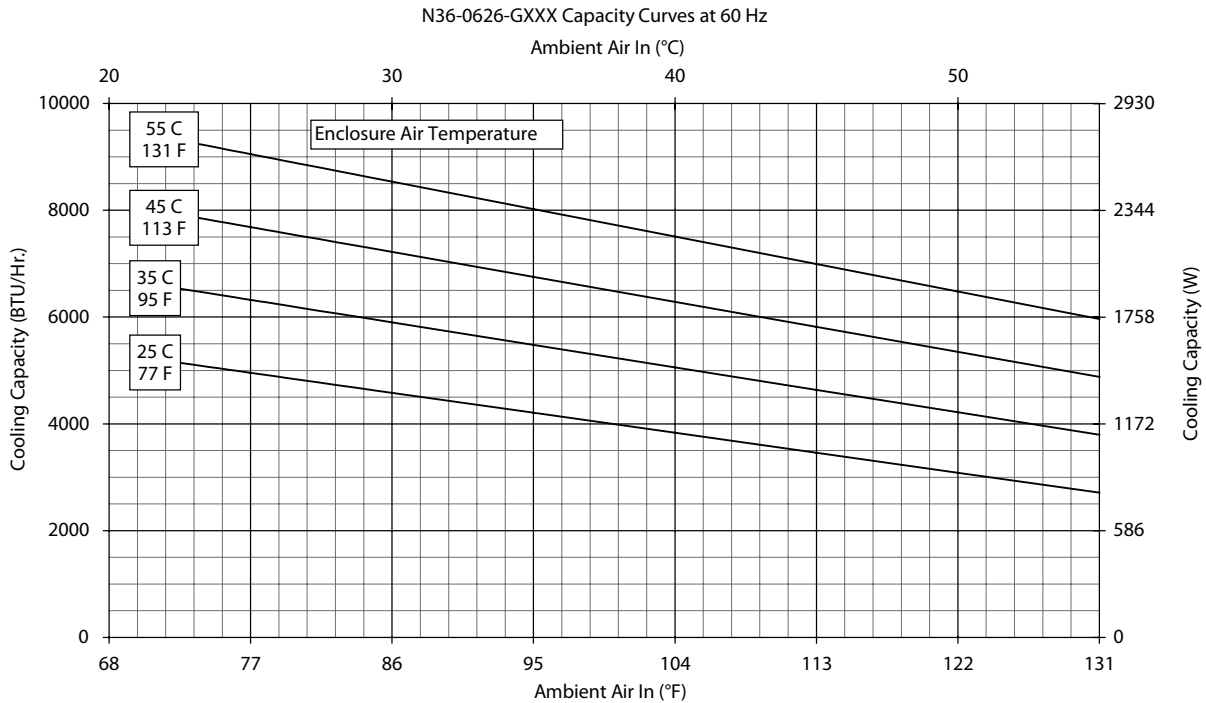
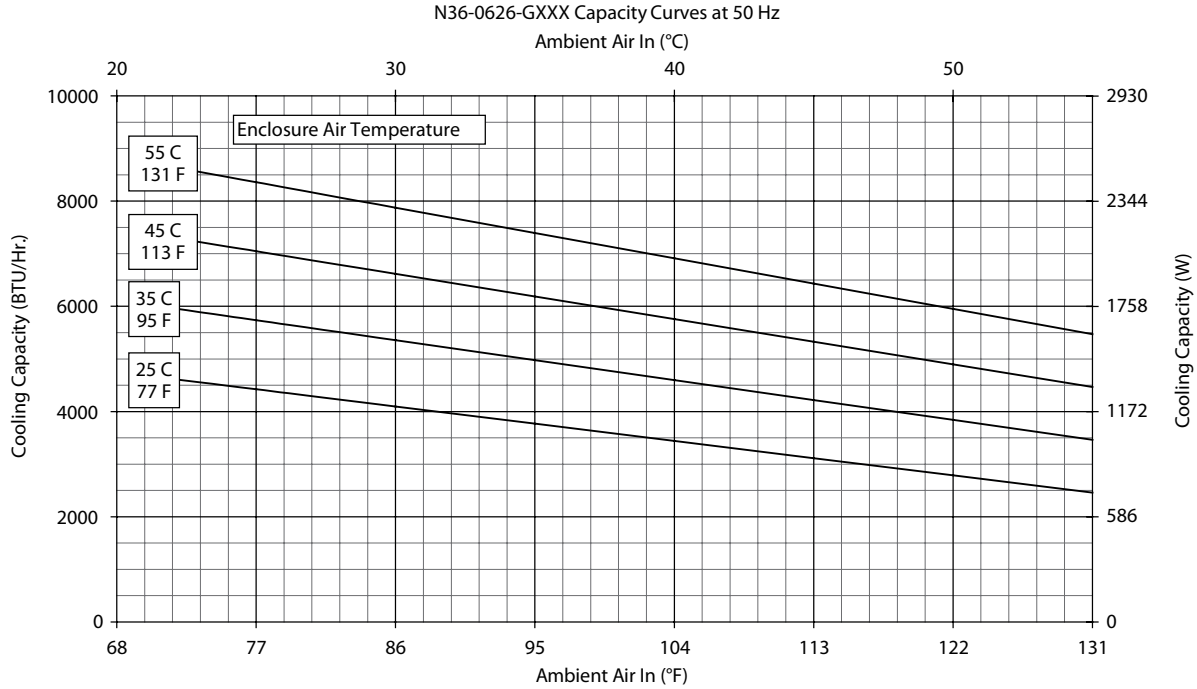
*Units with Remote Access Control utilize a digital controller and communicate via EtherNet/IP, Profinet, Modbus TCP/IP and SNMP over ethernet or modbus RTU over USB.

**Performance values are nominal. For actual values, see performance curves.

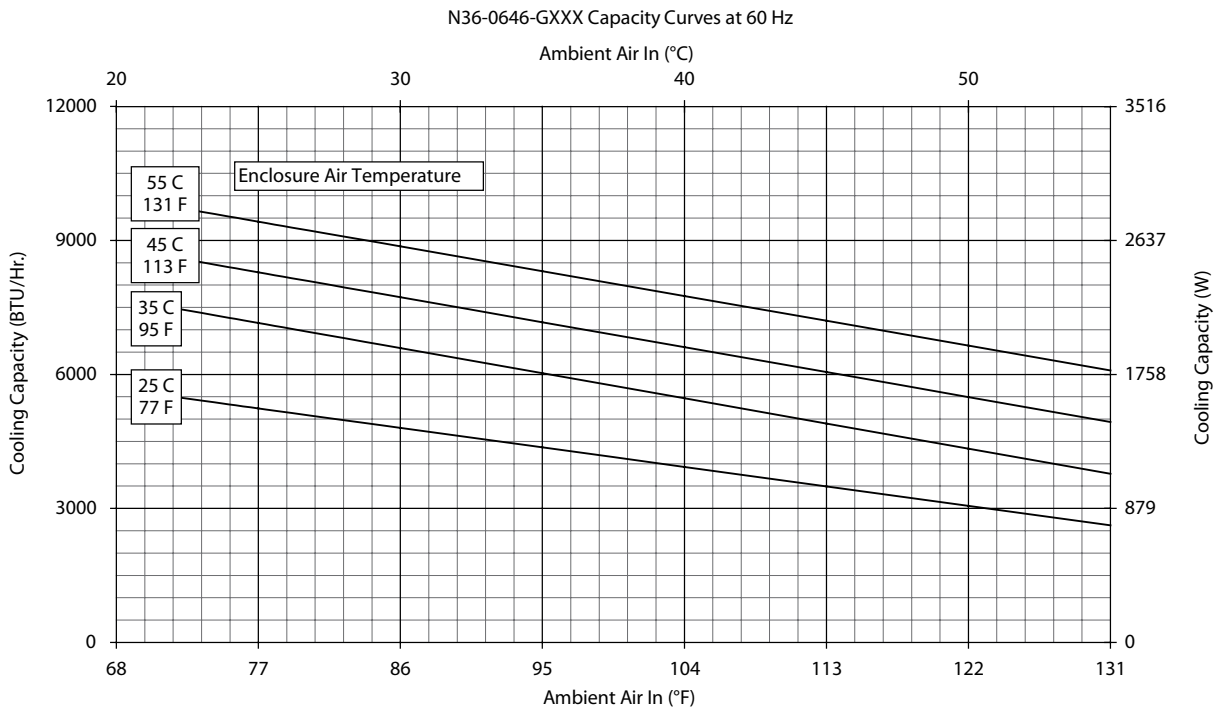
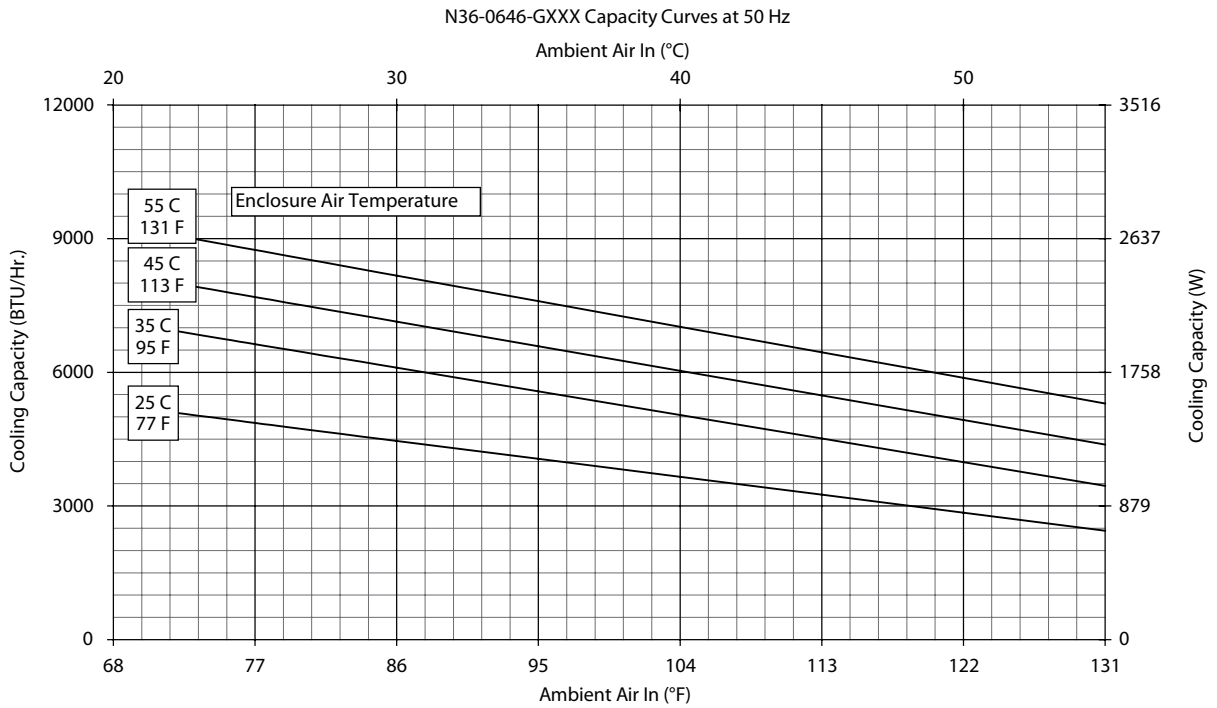
Performance Curves for N36 Models 6000 BTU/Hr. (1758 Watt)



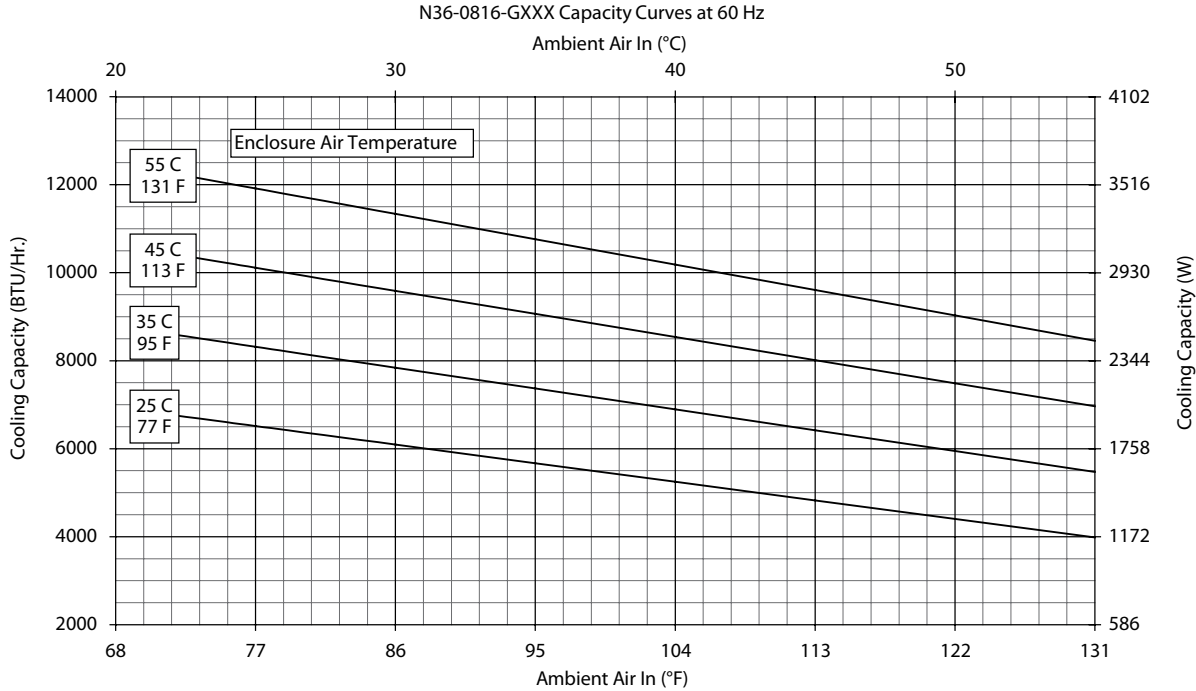
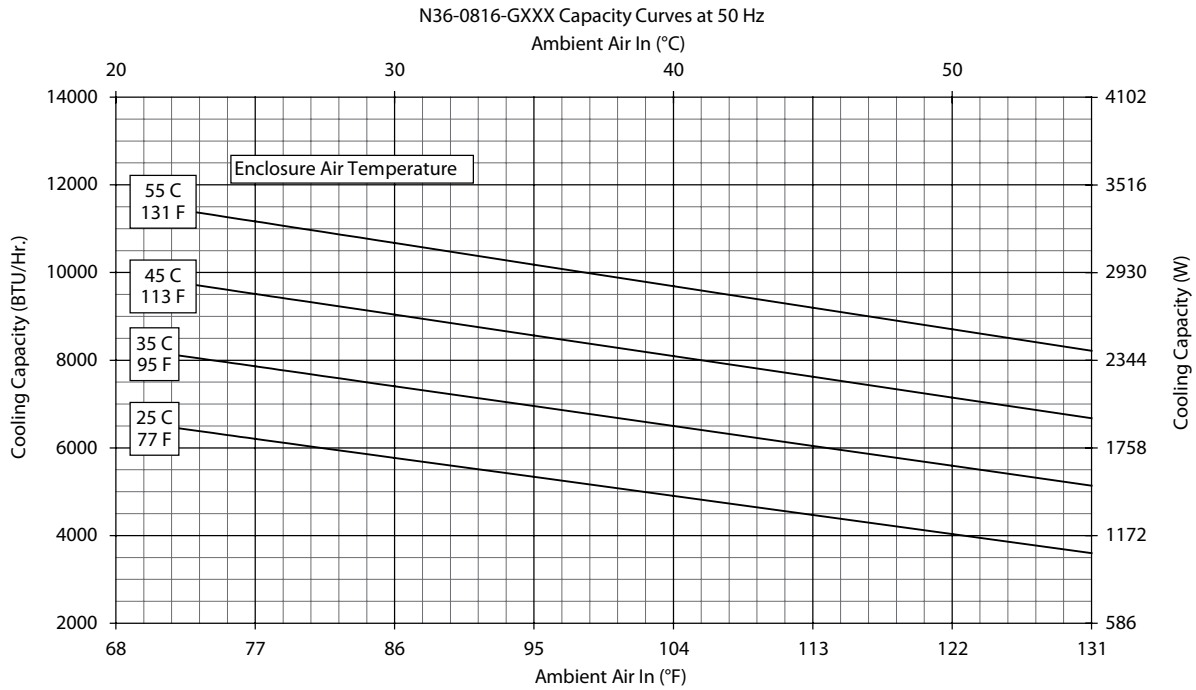
Performance Curves for N36 Models 6000 BTU/Hr. (1758 Watt)



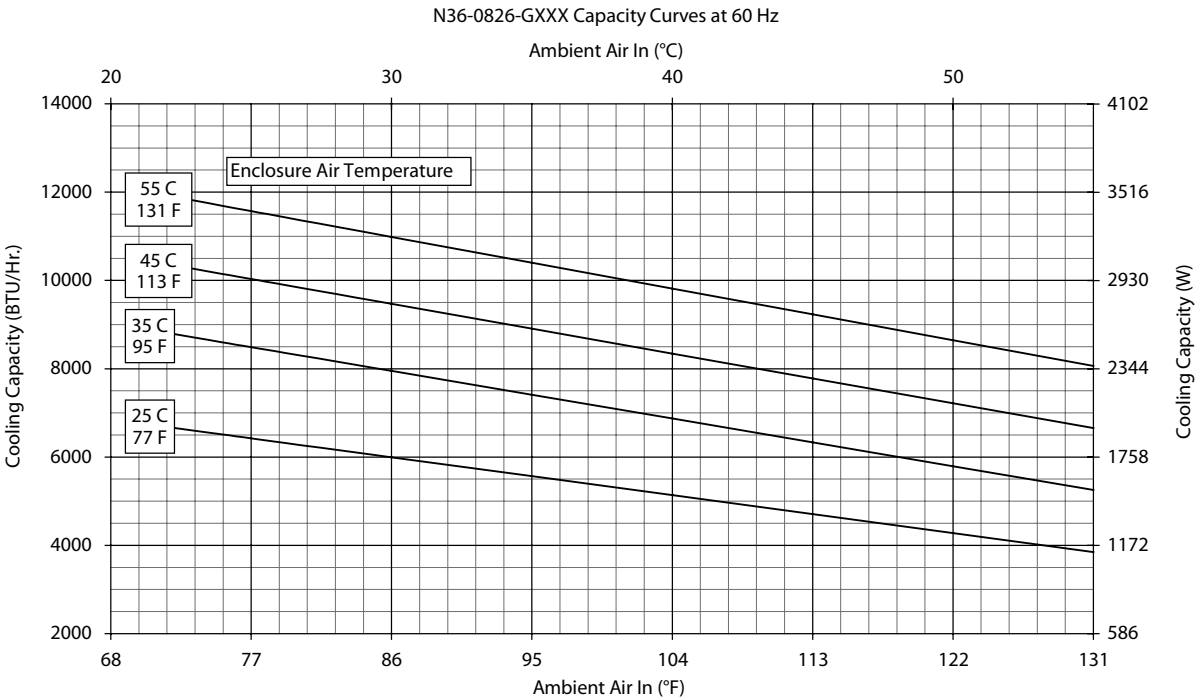
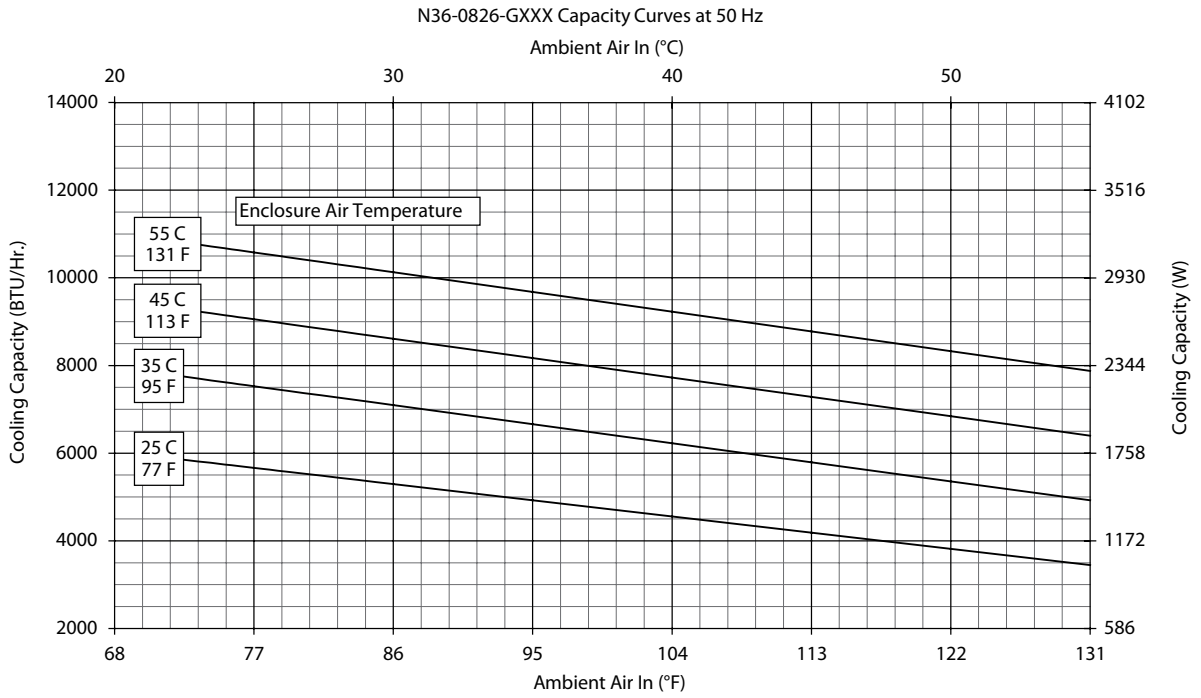
Performance Curves for N36 Models 6000 BTU/Hr. (1758 Watt)



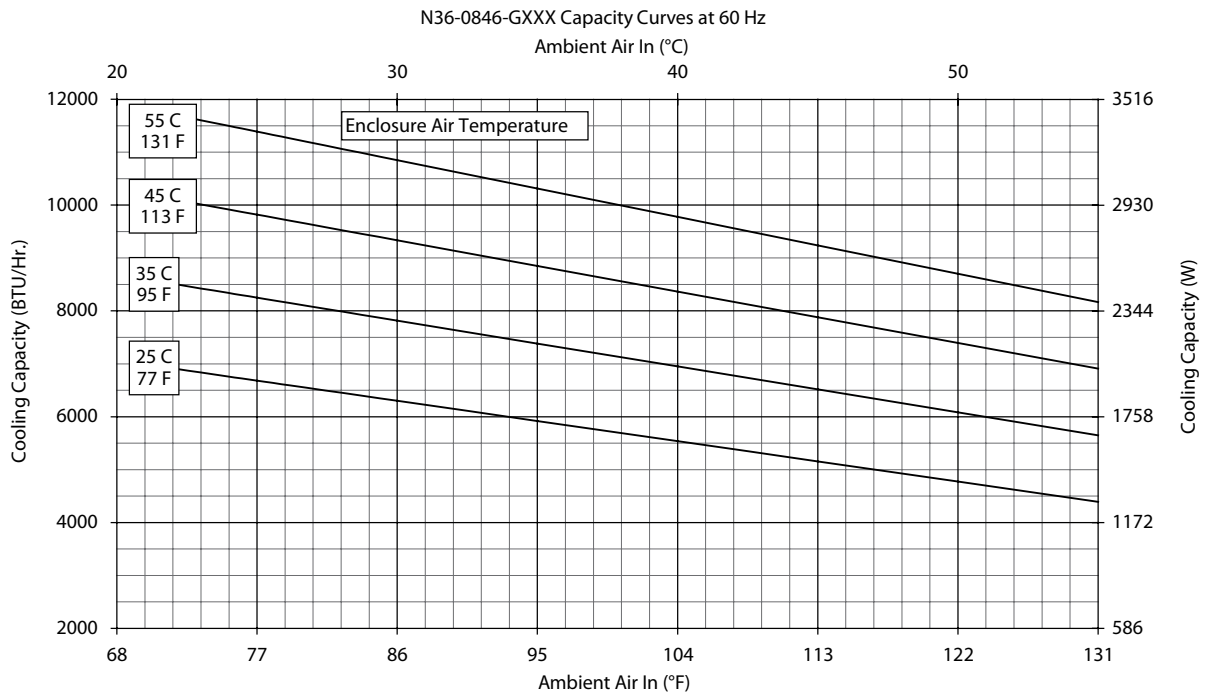
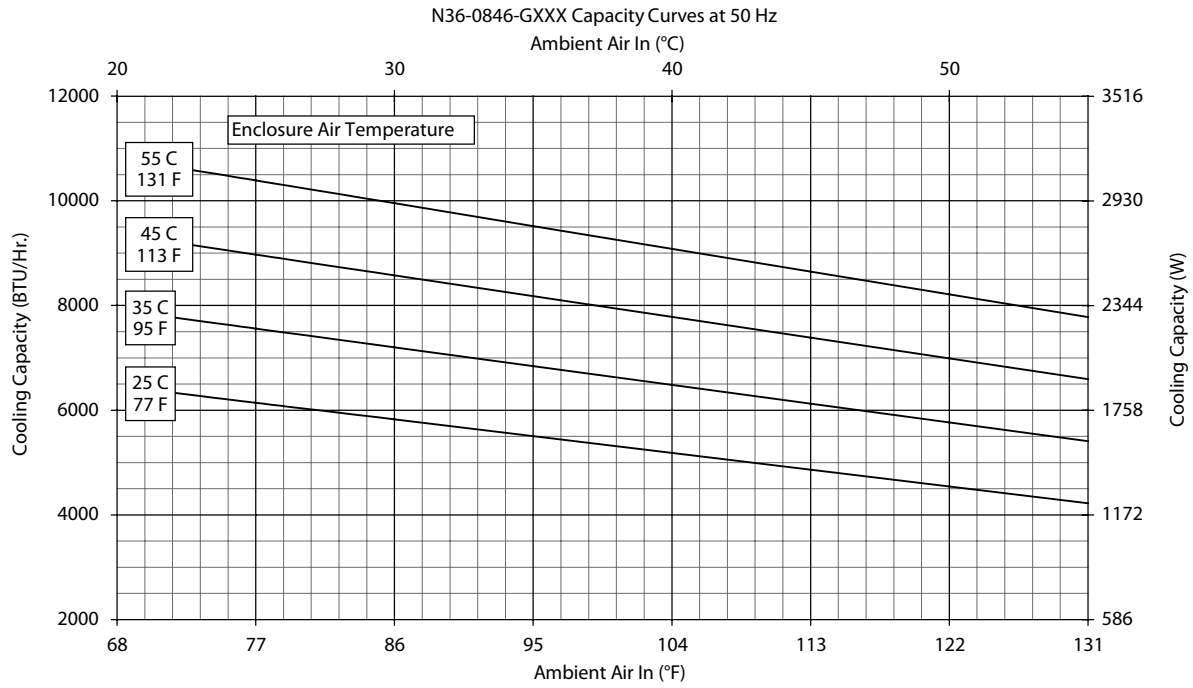
Performance Curves for N36 Models 8000 BTU/Hr. (2344 Watt)



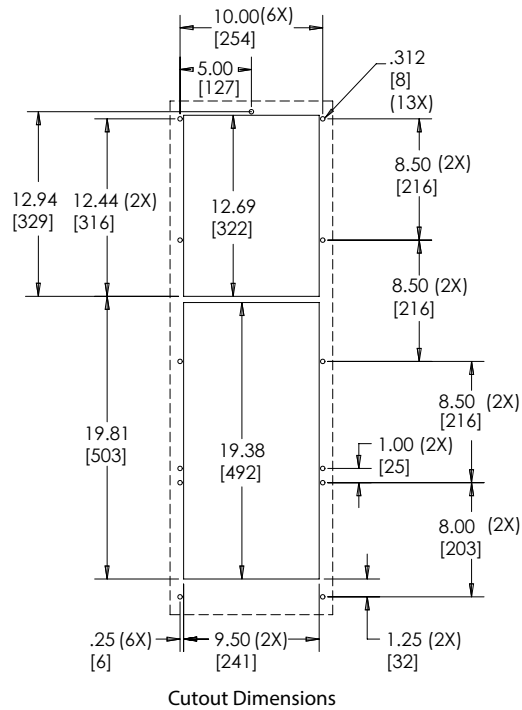
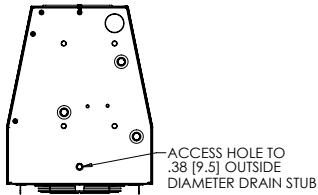
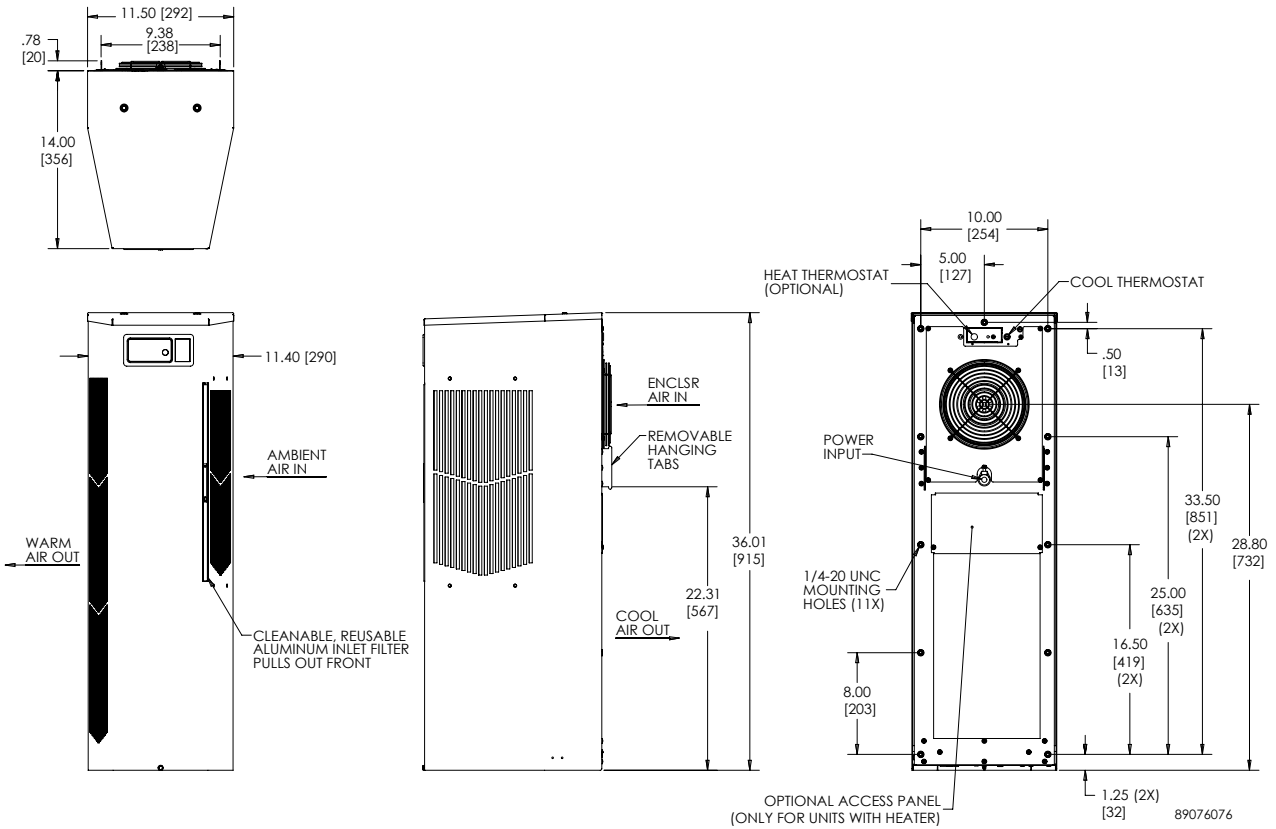
Performance Curves for N36 Models 8000 BTU/Hr. (2344 Watt)



Performance Curves for N36 Models 8000 BTU/Hr. (2344 Watt)



N36 6000/8000 BTU/Hr. (1758/2344 Watt)



Visit nVent.com/HOFFMAN to download 2D and 3D CAD drawings into the overall design of your electrical system.



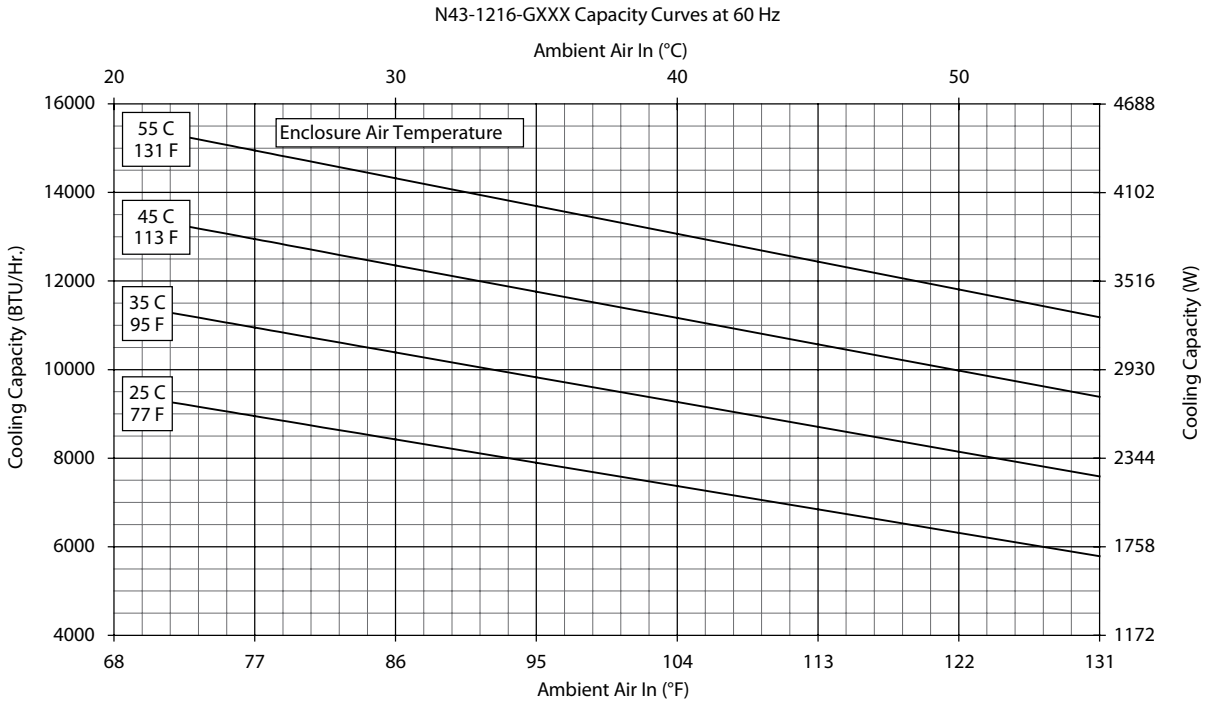
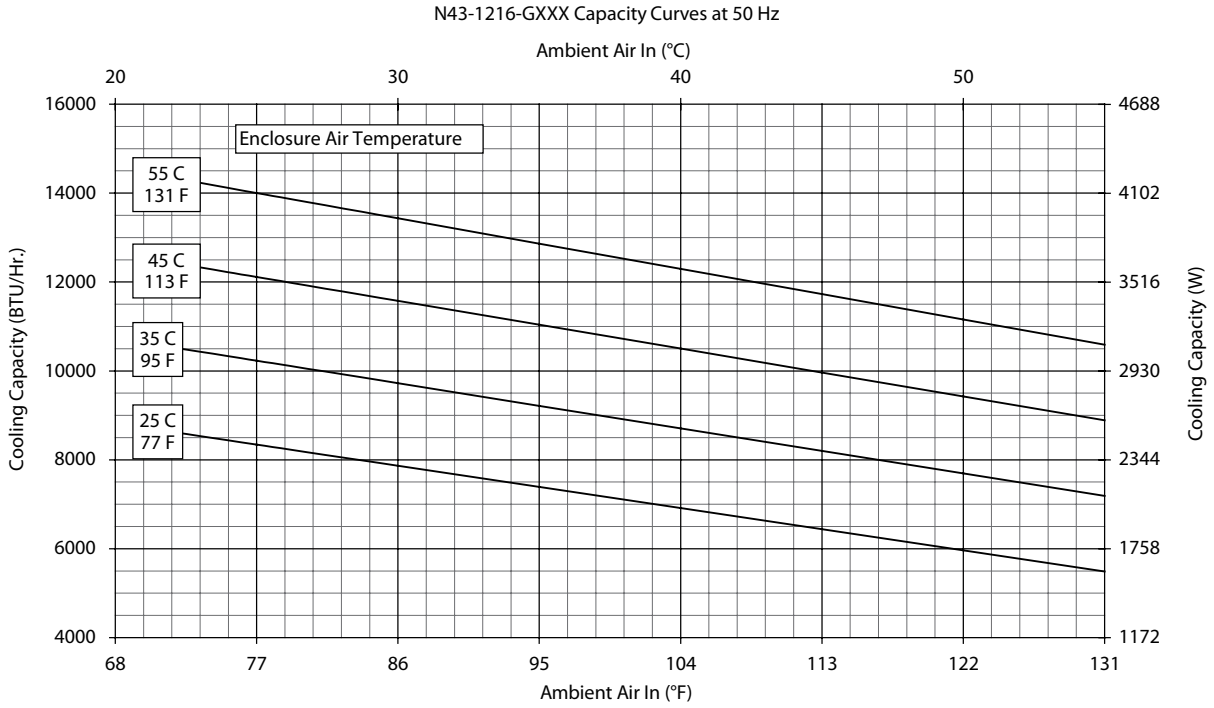
Performance Data **N43 11000 BTU/Hr. (3223 Watt)**


CATALOG NUMBER			
Level 1 Painted Galvanized - G700	N431216G700	N431226G700	N431246G700
Level 1 Stainless Steel 316 - G102	N431216G102	N431226G102	N431246G102
Level 2 Painted Galvanized - G800	N431216G800	N431226G800	N431246G800
Level 2 Painted with Remote Access Control - G360*	N431216G360	N431226G360	N431246G360
Level 2 Stainless Steel 316 - G802	N431216G800	N431226G800	N431246G800
COOLING PERFORMANCE			
Nominal:**			
BTU/Hr.	11000	11000	11000
Watts	3223	3223	3223
At 131 F / 131 F (55 C / 55 C):			
BTU/Hr. (50 / 60 Hz)	10588 / 11180	9946 / 11052	10048 / 10797
Watts (50 / 60 Hz)	3103 / 3277	2915 / 3239	2945 / 3164
At 95 F / 95 F (35 C / 35 C):			
BTU/Hr. (50 / 60 Hz)	9475 / 10023	8967 / 9644	8587 / 9559
Watts (50 / 60 Hz)	2777 / 2937	2628 / 2826	2517 / 2801
Refrigerant	R134a	R134a	R134a
Refrigerant Charge (ounces/grams)	36 / 1021	38 / 1077	41 / 1162
Operating Temperature Range:			
Maximum (°F / °C)	131 / 55	131 / 55	131 / 55
Minimum (°F / °C)	-40 / -40	-40 / -40	-40 / -40
Air Flow at 0 Static Pressure:			
Internal loop 50 Hz (CFM / M ³ /Hr)	239 / 406	259 / 440	254 / 432
External loop 50 Hz (CFM / M ³ /Hr)	494 / 839	489 / 831	341 / 579
Internal loop 60 Hz (CFM / M ³ /Hr)	250 / 425	267 / 454	260 / 442
External loop 60 Hz (CFM / M ³ /Hr)	528 / 897	525 / 892	564 / 958
Max. Heater W (Outdoor Models)	1300	1300	1300
ELECTRICAL DATA			
Rated Voltage	115	230	400 / 460 3~
Frequency (Hz)	50 / 60	50 / 60	50 / 60
Operating Range	+/-10%	+/-10%	+/-10%
Max. Power Consumption (Watts at 50 / 60 Hz)	1802 / 2446	1802 / 2446	1283 / 1644
Max. Nominal Current (Amps at 50 / 60 Hz)	16.8/22.2	8.8/9.2	3.1 / 3.3
Starting Current (Amps)	57	38	16
Agency Approvals		cUL Listed CE Others available upon request	
Power Input Description		Terminal Block	
ENCLOSURE PROTECTION			
UL Type		Type 12, 3R, 4 Standard Type 4X Stainless Steel Optional	
CONTROLLER			
Description		Basic Mechanical Thermostat	
Thermostat Location		Enclosure Side	
Factory Thermostat Setting (°F / °C)		80 / 27	
SOUND LEVEL			
At 1.5 Meters	68.4 dBA	68.4 dBA	69.6 dBA
UNIT DIMENSIONS			
Height (in / mm)		43.00 / 1092.2	
Width (in / mm)		11.50 / 292.1	
Depth (in / mm)		14.00 / 355.6	
Weight (lb / kg)	127/57.6	127/57.6	138/62.6

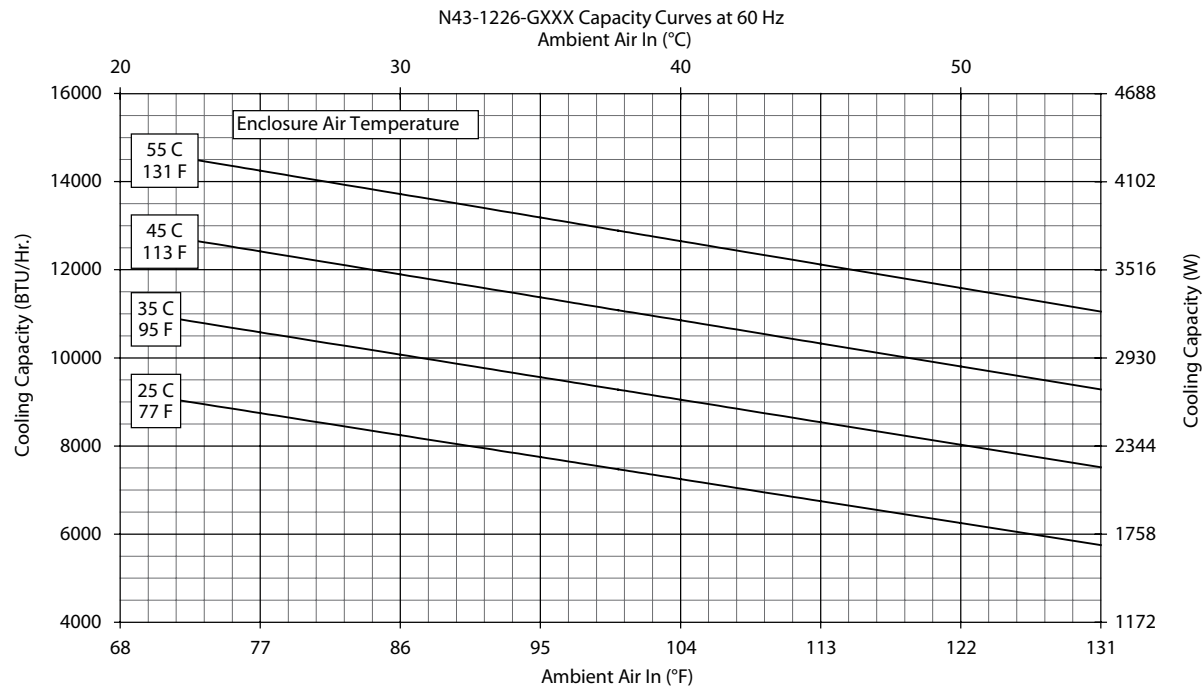
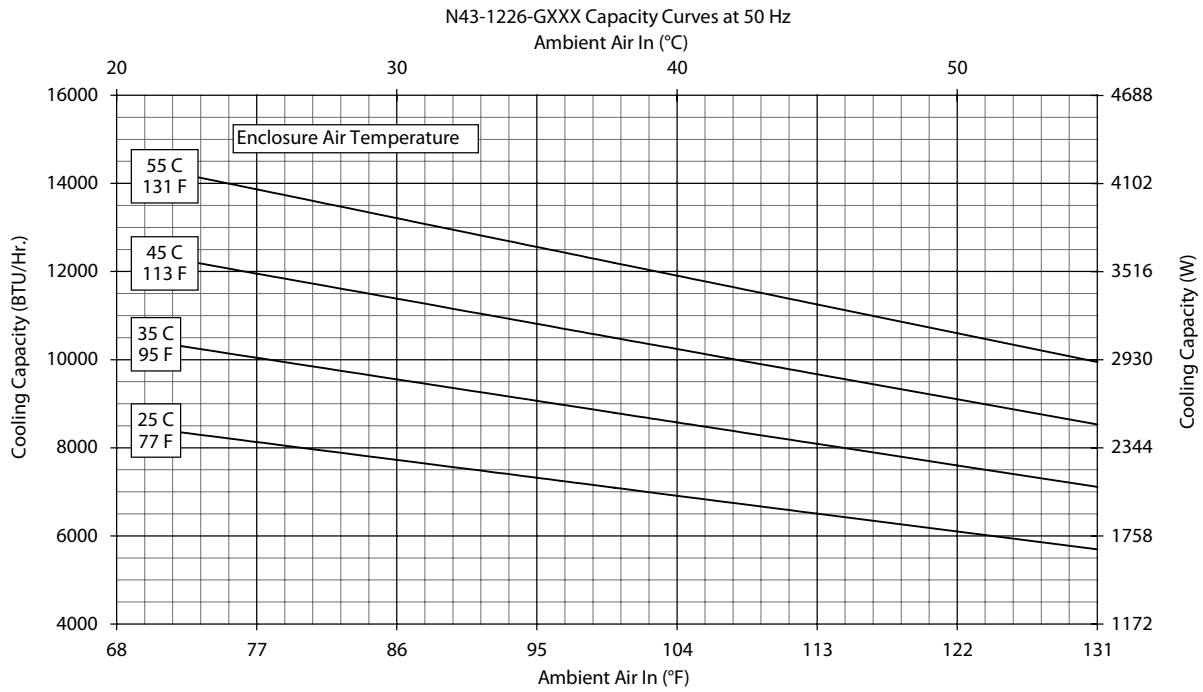
*Units with Remote Access Control utilize a digital controller and communicate via EtherNet/IP, Profinet, Modbus TCP/IP and SNMP over ethernet or modbus RTU over USB.

**Performance values are nominal. For actual values, see performance curves.

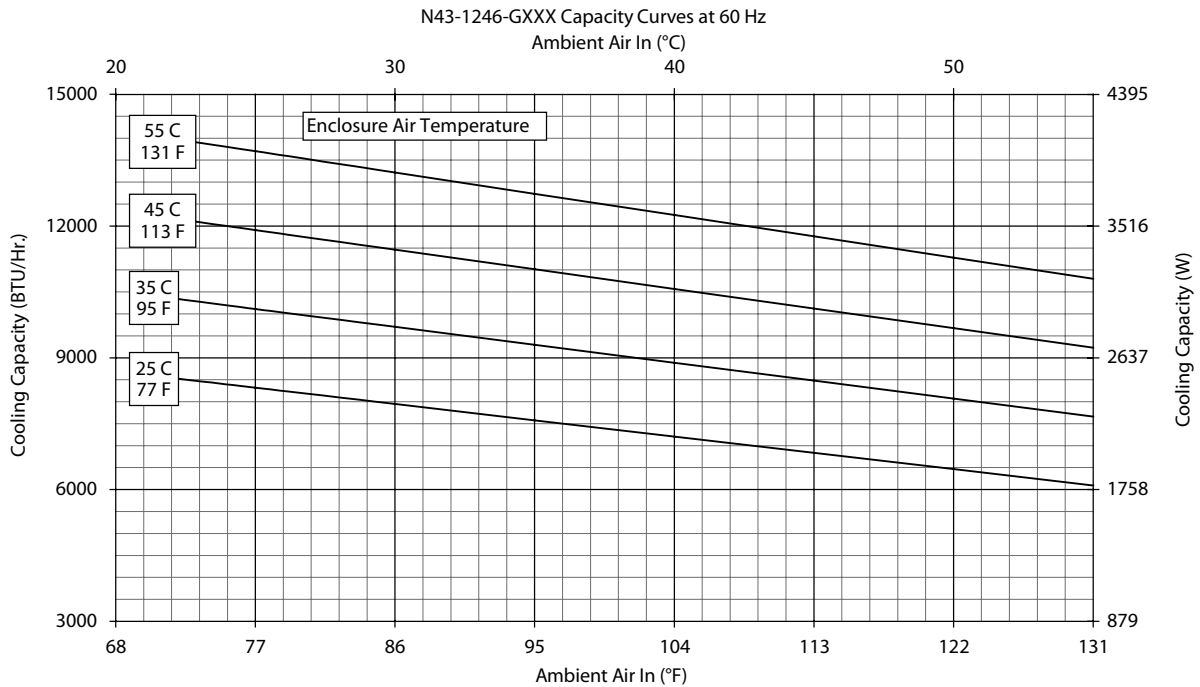
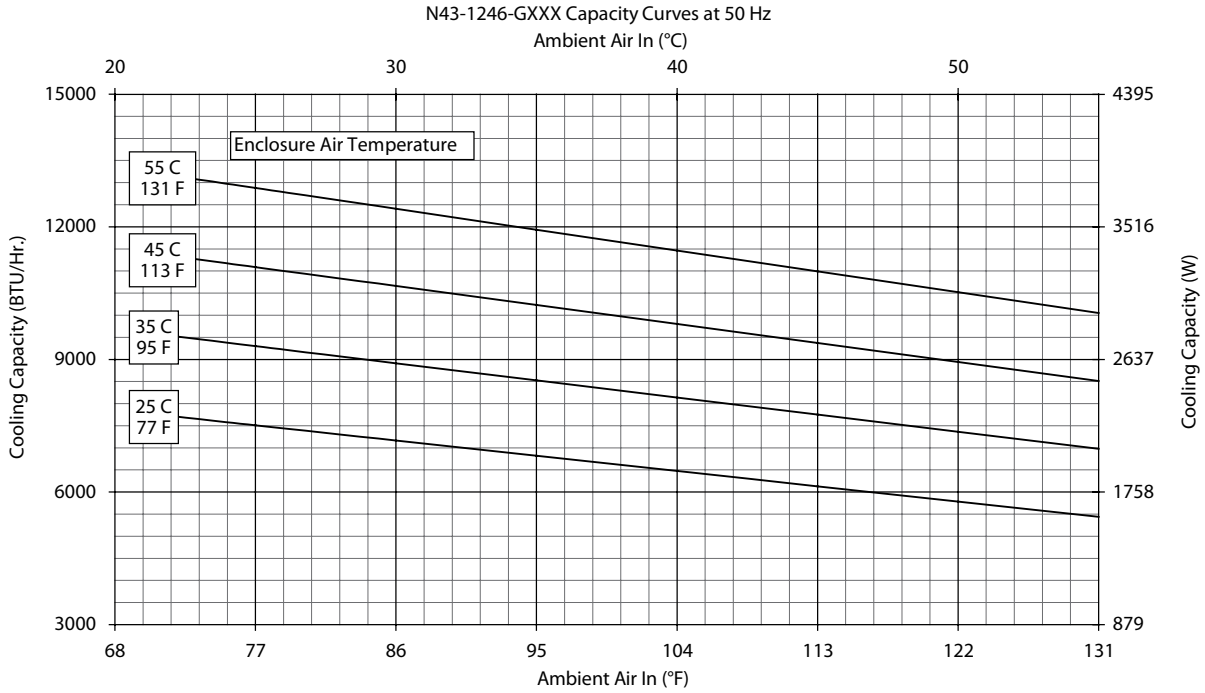
Performance Curves for N43 Models 11000 BTU/Hr. (3223 Watt)



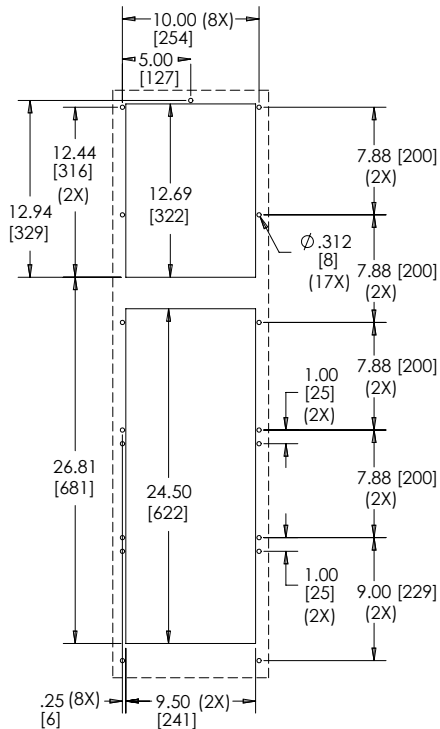
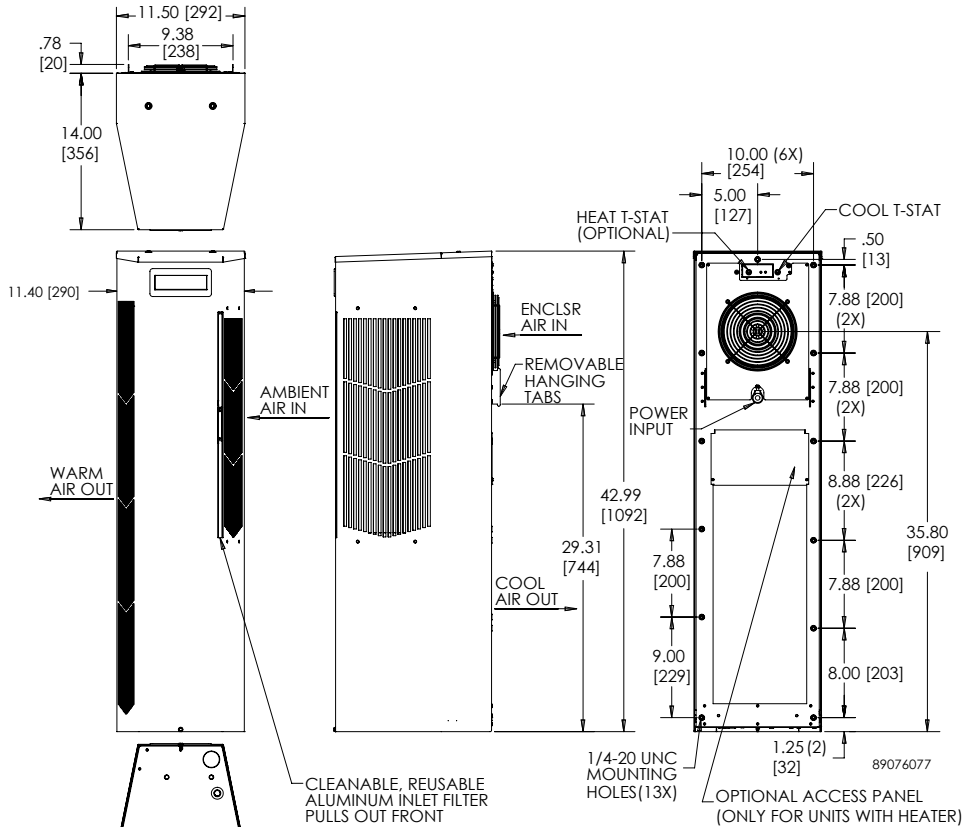
Performance Curves for N43 Models 11000 BTU/Hr. (3223 Watt)



Performance Curves for N43 Models 11000 BTU/Hr. (3223 Watt)



N43 12000 BTU/Hr. (3516 Watt)



CUTOUT INSTRUCTIONS

Visit nVent.com/HOFFMAN to download 2D and 3D CAD drawings into the overall design of your electrical system.

Notes



SPECTRACOOOL COMPACT INDOOR


3

INDUSTRY STANDARDS

UL/cUL Listed; Type 12; File No. SA6453 for N17
 UL/cUL Listed; Type 12, 3R, 4, 4X optional; File No. SA6453 and
 UR/cUR Recognized on select models for N16 and N21

CE
 IP 54 Internal Loop
 IP 34 External Loop
 EAC
 Telcordia GR-487 capable
 Reference performance data tables for agency approvals applied to each model.

APPLICATION

- Industrial automation
- Package handling equipment
- Security and defense systems

FEATURES

- Narrow design accommodates 12-in. deep cabinets
- R134a earth-friendly refrigerants
- Models for 115, 230 and 400/460 VAC power input
- UL Listed to save customers time and money with agency approvals
- Attractive industrial design with minimal use of visible fasteners

- Reliable mechanical thermostat is located behind the cover of the unit; Air Conditioner models include digital display on ambient side
- Galvanized sheet-metal cover for rugged factory environments
- Easy-mount flanges for simple installation
- Cutout adapter options for enclosures with GENESIS air conditioners enable users to easily transition to the new unit
- Dust-resistant condenser coil allows the unit to be run filterless in most applications
- Cleanable, reusable aluminum mesh filter protects coils for maximum cooling performance
- Mounting hardware, gaskets and user manual furnished with the unit
- Every unit functionally tested before shipping
- Standard Indoor Air Conditioner models also include:
 - Active condensate management
 - Power-off relay for door switch and other system requirements
 - Malfunction switch

SPECIFICATIONS

- Nominal cooling capacity:
 - N17 1000 BTU/Hr. (293 W)
 - N17 1800 BTU/Hr. (527 W)
- Operating temperature range from 50 F/10 C to 125 F/52 C

FINISH

- RAL 7035 light-gray, semi-textured powder-coat paint
- Other colors and textures available



Performance Data **N17 Models 1000/1800 BTU/Hr. (300/527 Watt)**

CATALOG NUMBER						
Indoor Model	N170116G010	N170126G010	N170146G010	N170216G010	N170226G010	N170246G010
Indoor Model with Remote Access Control*	N170116G020	N170126G020	N170146G020	N170216G020	N170226G020	N170246G020
COOLING PERFORMANCE						
Nominal:						
BTU/Hr.	908/1025	908/1025	908/1025	1500/1800	1500/1800	1500/1800
Watts	266/300	266/300	266/300	440/527	440/527	440/527
Refrigerant	R-134a	R-134a	R-134a	R-134a	R-134a	R-134a
Refrigerant Charge (ounces/grams)	5/142	5/142	5/142	5.5/156	5.5/156	5.5/156
Operating Temperature Range:						
Maximum (°F/°C)	125/52	125/52	125/52	125/52	125/52	125/52
Minimum (°F/°C)	50/10	50/10	50/10	50/10	50/10	50/10
Airflow at 0 Static Pressure:						
Internal loop 50 Hz (CFM / m ³ /hr.)	57/97	57/97	57/97	61/104	61/104	61/104
External loop 50 Hz (CFM / m ³ /hr.)	96/163	96/163	96/163	98/167	98/167	98/167
Internal loop 60 Hz (CFM / m ³ /hr.)	67/114	67/114	67/114	72/122	72/122	72/122
External loop 60 Hz (CFM / m ³ /hr.)	114/194	114/194	114/194	118/200	118/200	118/200
ELECTRICAL DATA						
Rated Voltage	110/115	220/208-230	400/460	110/115	220/208-230	400/460
Frequency (Hz)	50/60	50/60	50/60	50/60	50/60	50/60
Operating Range	+/- 10%	+/- 10%	+/- 10%	+/- 10%	+/- 10%	+/- 10%
Max. Power Consumption (W at 50/60 Hz)	337/356	345/376	375/407	642/728	639/667	543/603
Max. Nominal Current (A at 50/60 Hz)	4.4/3.9	1.2/1.2	2.3/2.1	7.0/7.1	4.0/3.5	2.0/2.0
Starting Current (A)	18	4.25	8.5	28	14.4	7.2
Agency Approvals				UL/cUL Listed CE		
Power Input Description	Terminal Block					
ENCLOSURE PROTECTION						
UL Type	Type 12					
IP	IP 54 Internal Loop IP 34 External Loop					
CONTROLLER (...G010 Models)						
Thermostat Location	Behind Cover, Right Side					
Factory Thermostat Setting (°F/°C)	80/27					
CONTROLLER (...G020 Models)						
Thermostat Location	Ambient Side					
Factory Thermostat Setting (°F/°C)	80/27					
SOUND LEVEL						
At 1.5 Meters	65.0 dBA					
UNIT CONSTRUCTION						
Material	Galvanized sheet metal standard					
Finish	RAL 7035 light-gray, semi-textured powder-coat paint standard Other colors available					
ACCESSORIES						
EASYSWAP Adaptor Plenum (GENESIS M13)	Enables SPECTRACOOOL to be mounted to a GENESIS M13 air conditioner cutout Catalog Number PLM13N17 NOTE: EASYSWAP adaptor plenum not required for M17. It is the same cutout as N17.					
UNIT DIMENSIONS						
Height (in./mm)	17.64/448.1	22.14/562.4	17.64/448.1	17.64/448.1	17.64/448.1	22.14/562.4
Width (in./mm)	12.0/304.8	12.0/304.8	12.0/304.8	12.0/304.8	12.0/304.8	12.0/304.8
Depth (in./mm)	8.4/213.4	8.4/213.4	8.4/213.4	8.4/213.4	8.4/213.4	8.4/213.4
Weight (lb./kg)	50/23	66/30	50/23	54/25	54/25	73/33

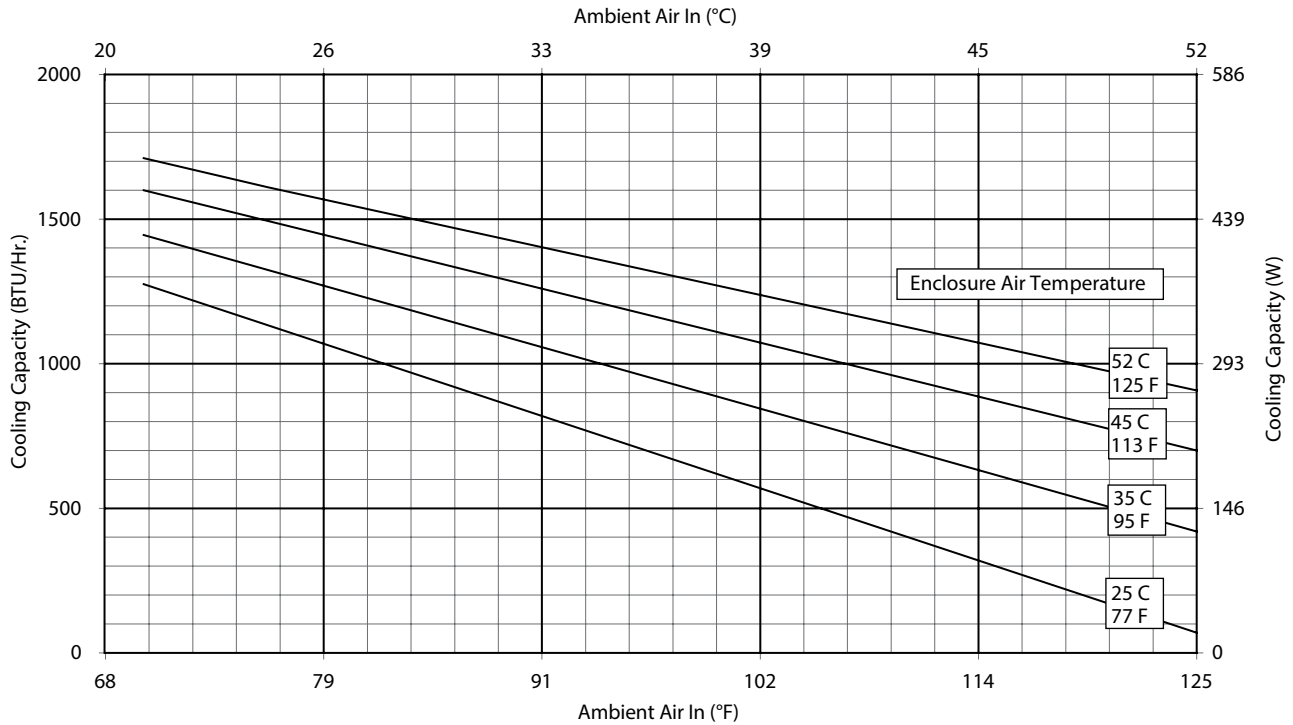
*Units with Remote Access Control utilize a digital controller and communicate via EtherNet/IP, Profinet, Modbus TCP/IP and SNMP over ethernet or modbus RTU over USB.



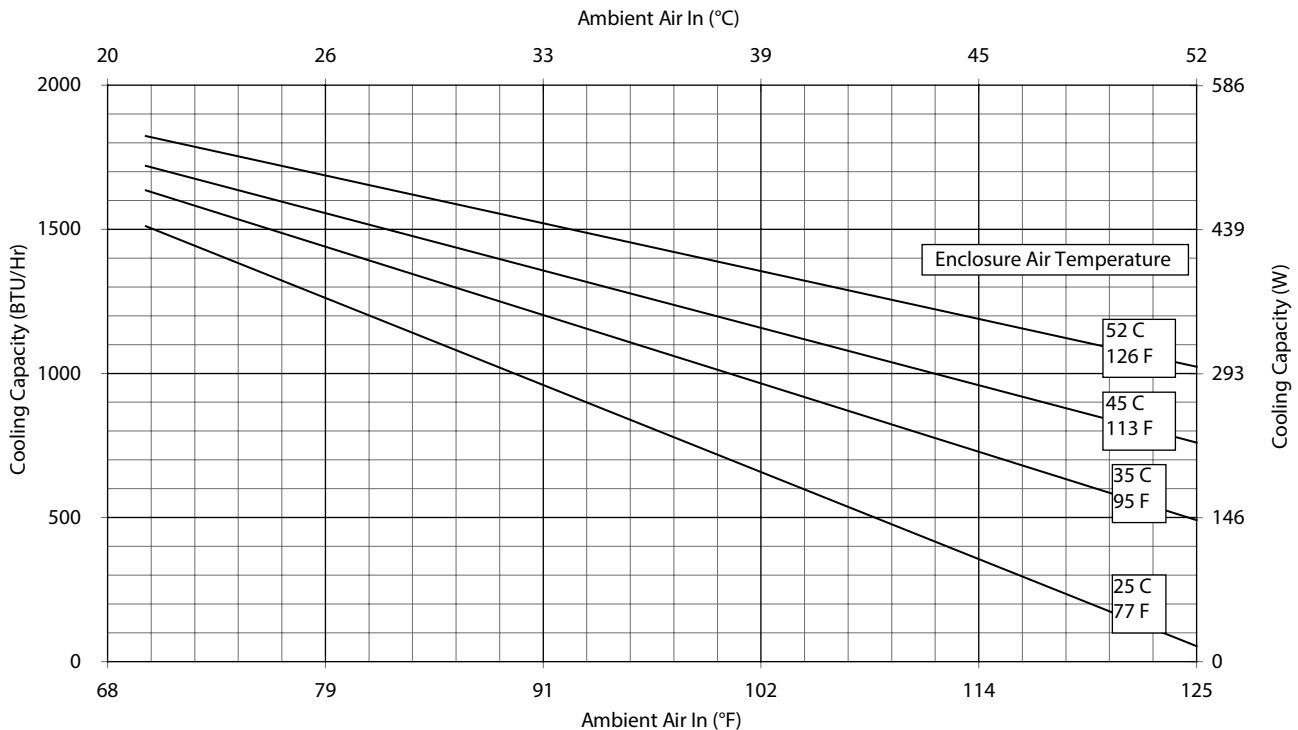
Performance Curves for N17 Models 1000 BTU/Hr. (293 Watt)



N17-0116-GXXX Capacity Curves at 50 Hz



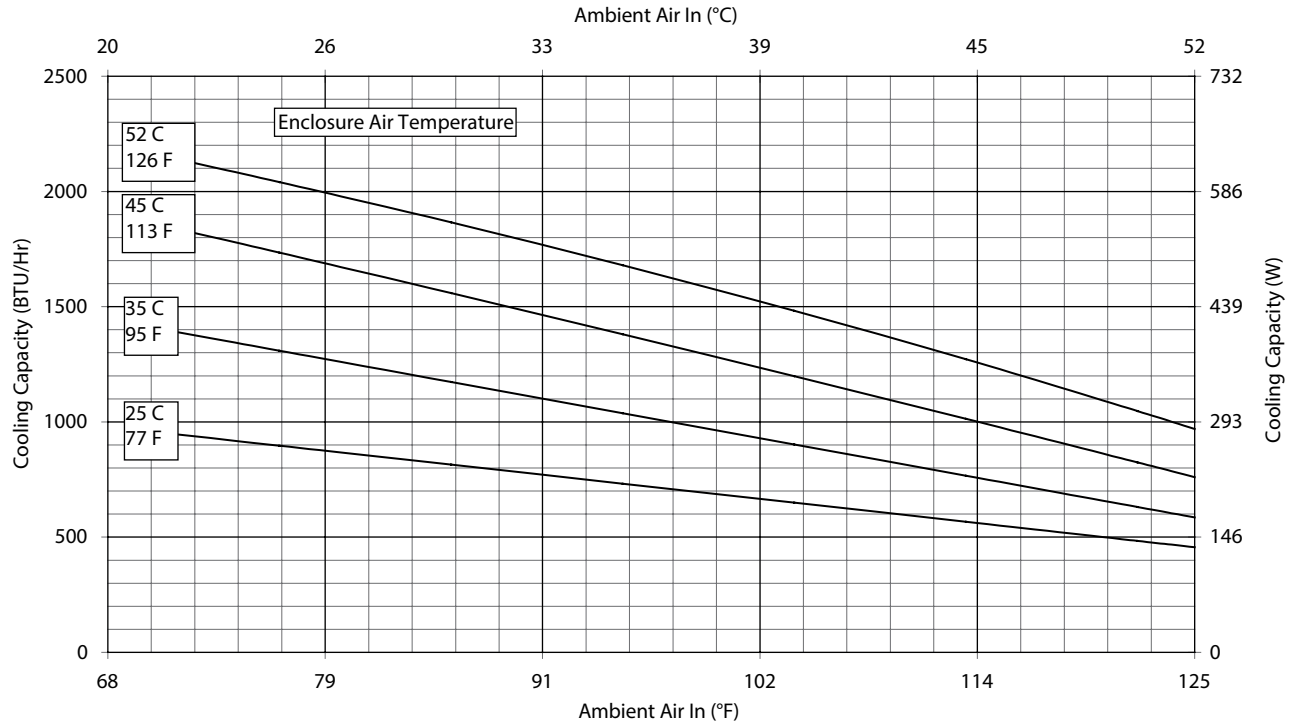
N17-0116-GXXX Capacity Curves at 60 Hz



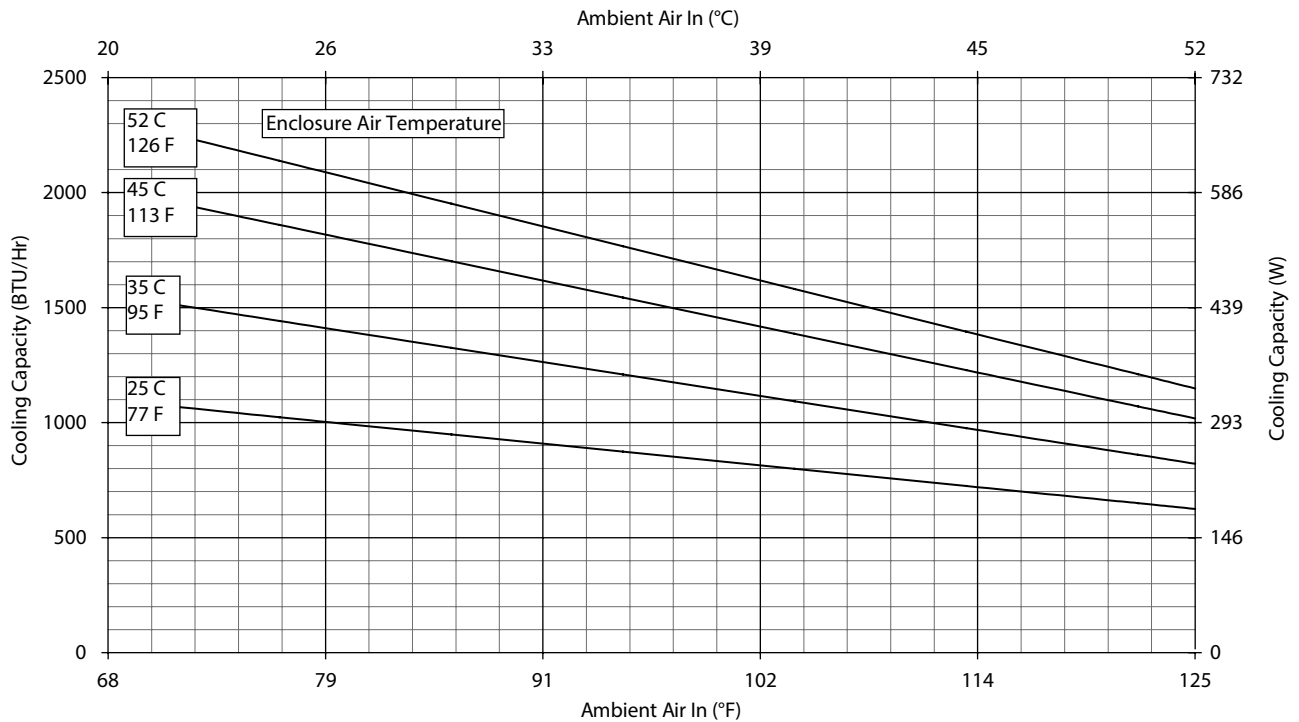
Performance Curves for N17 Models 1000/2000 BTU/Hr. (293/585 Watt)



N17-01(2/4)6-GXXX Capacity Curves at 50 Hz



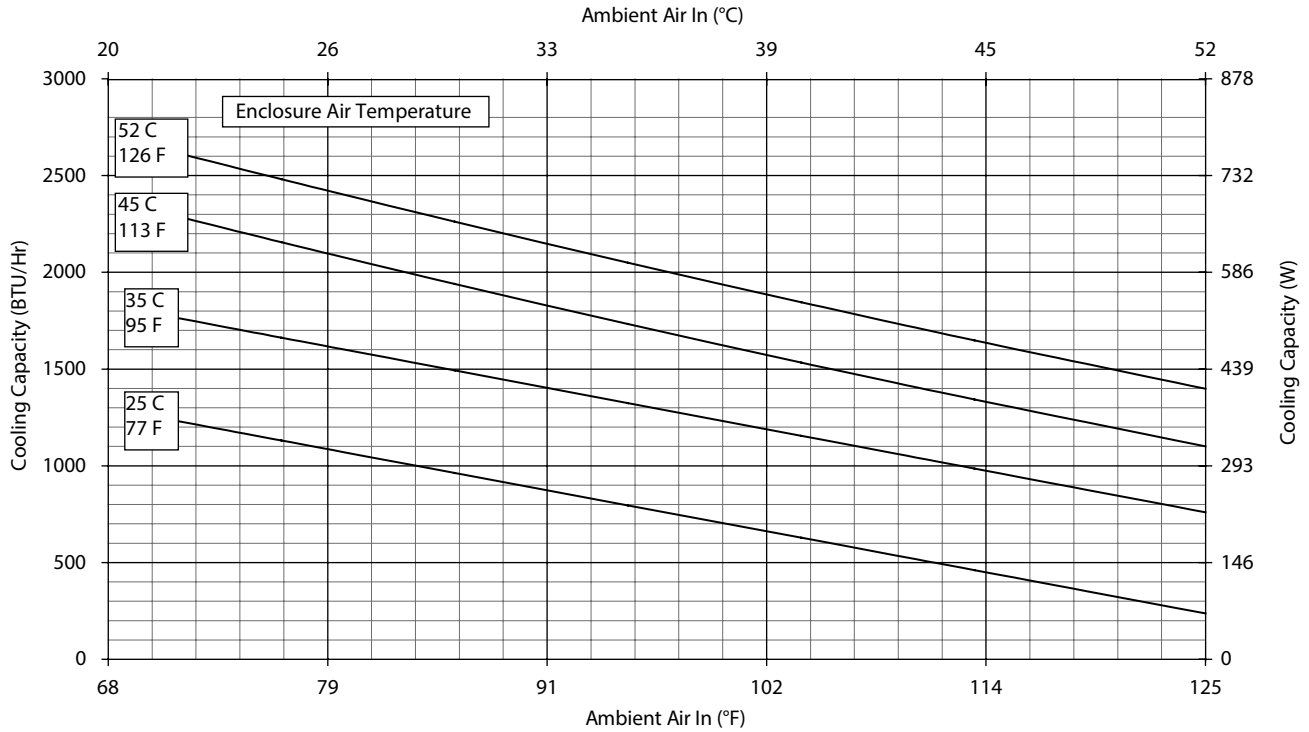
N17-01(2/4)6-GXXX Capacity Curves at 60 Hz



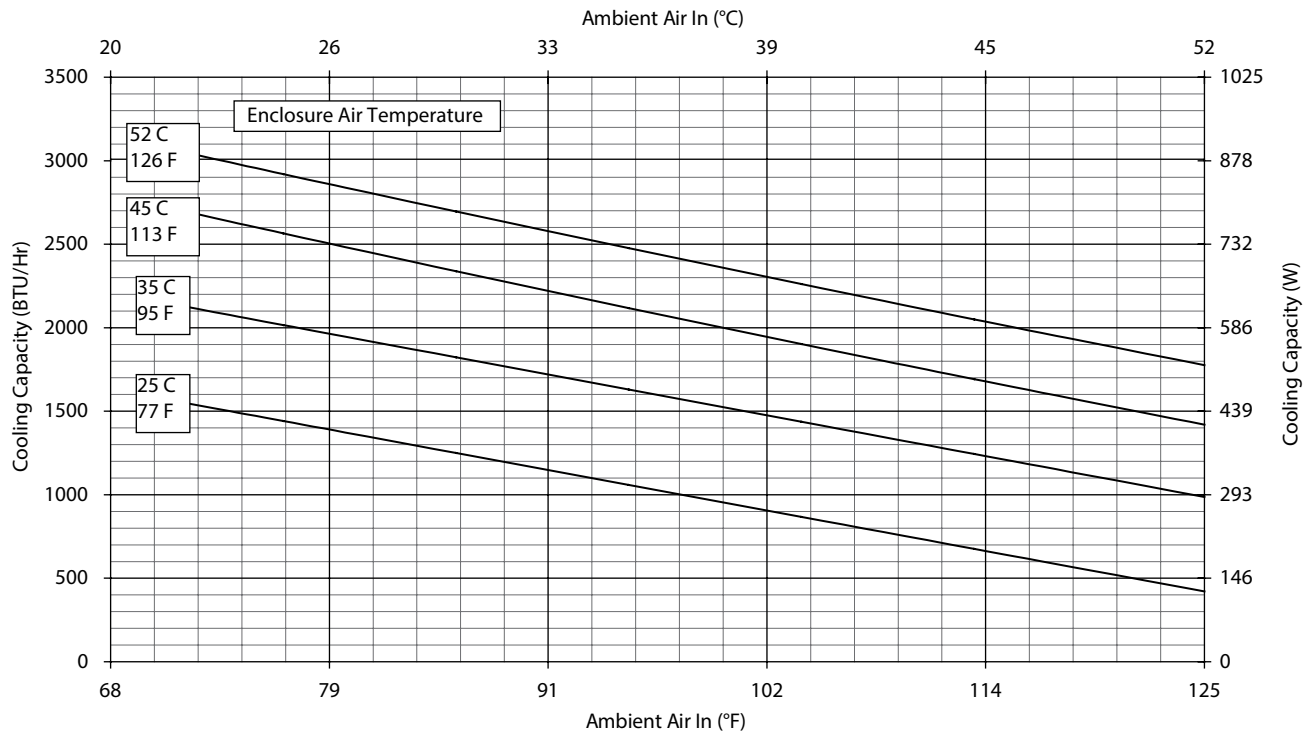
Performance Curves for N17 Models 1000 BTU/Hr. (293 Watt)



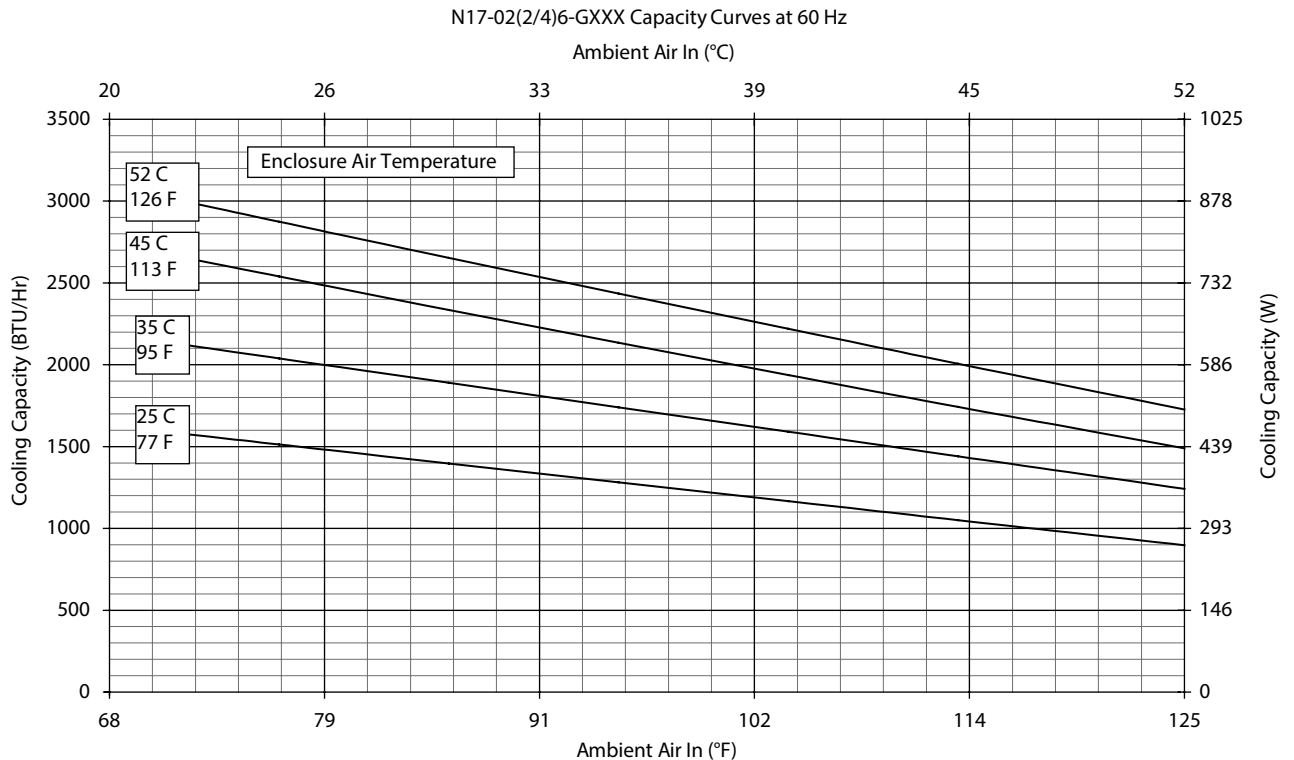
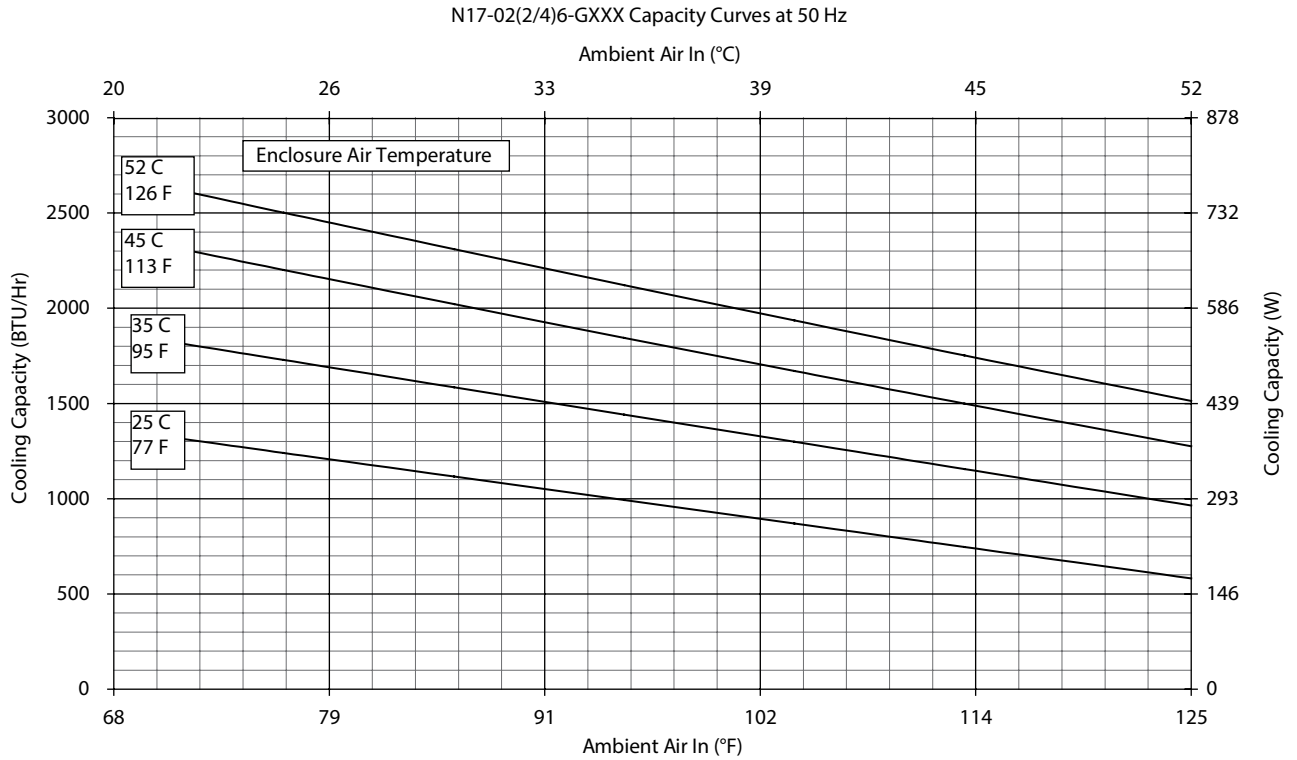
N17-0216-GXXX Capacity Curves at 50 Hz



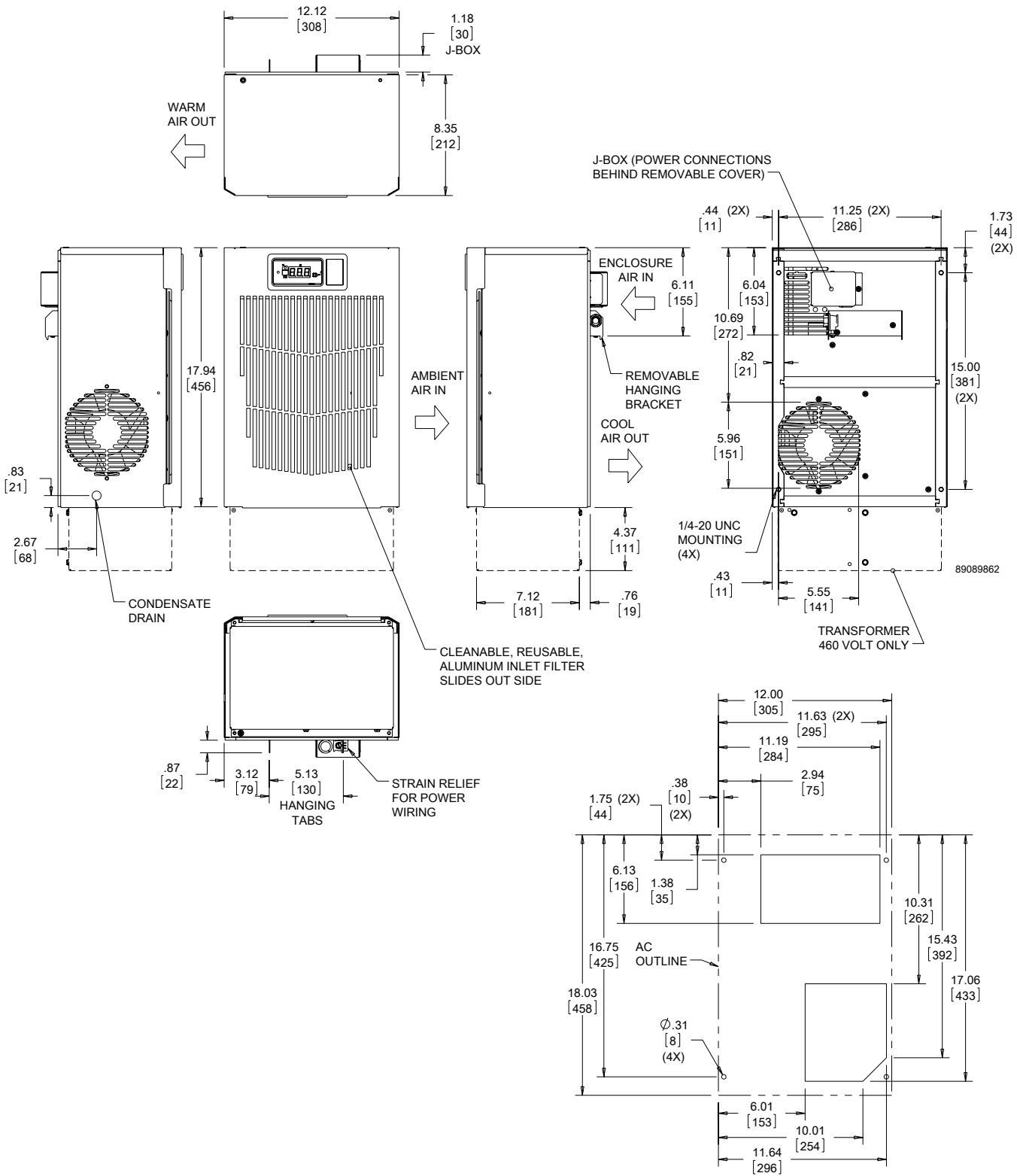
N17-0216-GXXX Capacity Curves at 60 Hz



Performance Curves for N17 Models 1000/2000 BTU/Hr. (293/585 Watt)



N17 Models 1000/1800 BTU/Hr. (300/527 Watt)



Cutout Dimensions

Visit nVent.com/HOFFMAN to download 2D and 3D CAD drawings into the overall design of your electrical system.

Notes



SPECTRACOOL HAZARDOUS LOCATION INDOOR/OUTDOOR


NHZ43
11000 BTU/Hr.
3223 Watt

NHZ36
6000/8000 BTU/Hr.
1758/2344 Watt

NHZ28
4000 BTU/Hr.
1172 Watt

FEATURES

- Engineered specifically for hazardous location cooling. Not rebuilt from light industrial air conditioners
- Attractive design with no heavy cast enclosure and minimal use of visible fasteners
- Does not require purge and pressurized system
- Corrosion resistant coating on ambient side components for Type 4X models
- Corrosion resistant coating on ambient and enclosure side components for Type 4X Offshore models
- Dust resistant coils for filterless operation in most environments
- Cleanable, reusable aluminum mesh filter protects coils for extremely dusty and dirty atmospheres
- Digital temperature control
- Narrow design to accommodate 12-in (300-mm) deep cabinets
- R134a earth-friendly refrigerants
- Models for 115, 230 and 400/460 3-phase VAC power input
- UL Listed to save customers time and money with agency approvals
- Easy-Mount flanges for simple installation
- Mounting hardware, gaskets and user manual furnished with the unit
- Every unit functionally tested before shipping
- Standard Type 4/4X models include:
 - Active condensate management with heater strip
 - Compressor Heater
 - Head Pressure Control
 - Power-off relay for door switch and other system requirements
 - Malfunction switch

SPECIFICATIONS

- Nominal cooling capacities:
 - NHZ28 4000 BTU/hr. (1172 W)
 - NHZ36 6000 & 8000 BTU/hr. (1758 and 2344 W)
 - NHZ43 11000 BTU/hr. (3223 W)
- Outdoor model operating temperature range from -40 F/ -40 C to 131 F/ 55 C (125 F/52 C on NHZ28 Series and NHZ43 Series 115V)

FINISH

- Type 4 models RAL 7035 light-gray, semi-textured powder-coat paint
- Type 4X and Offshore models Stainless Steel 316L

INDUSTRY STANDARDS

UL/cUL Listed; Type 4; 4X; File No. E469720

CE
Class 1 Div 2 Groups A, B, C, D T4A

APPLICATION

- Onshore and Offshore Oil and Gas
- Chemical and petrochemical
- Mining
- Pharmaceutical
- Any location with potentially hazardous atmospheres created by vapor



Performance Data **NHZ28 4000 BTU/Hr. (1172 Watt)**

CATALOG NUMBER			
Painted Galvanized Steel Type 4	NHZ280416G300	NHZ280426G300	NHZ280446G300
Painted Galvanized Steel Type 4 with Remote Access Control*	NHZ280416G360	NHZ280426G360	NHZ280446G360
Stainless Steel Type 4X	NHZ280416G400	NHZ280426G400	NHZ280446G400
Stainless Steel Type 4X with Remote Access Control*	NHZ280416G460	NHZ280426G460	NHZ280446G460
Stainless Steel Type 4X Offshore	NHZ280416G500	NHZ280426G500	NHZ280446G500
COOLING PERFORMANCE			
Nominal:			
BTUs/Hr.	3800 / 4000	3800 / 4000	4000
Watts	1114 / 1172	1114 / 1172	1172
At 125 F / 125 F (52 C / 52 C):			
BTU/Hr. (50 / 60 Hz)	3940 / 4104	4269 / 4703	4703
Watts (50 / 60 Hz)	1150 / 1000	1250 / 1378	1378
At 95 F / 95 F (35 C / 35 C):			
BTU/Hr. (50 / 60 Hz)	3754 / 4011	3700 / 4291	4291
Watts (50 / 60 Hz)	1100 / 1175	1086 / 1257	1257
Refrigerant	R134a	R134a	R134a
Refrigerant Charge (ounces/grams)	10 / 283	11 / 312	11 / 312
Operating Temperature Range:			
Maximum (°F / °C)	125/52	125/52	125/52
Minimum (°F / °C)	-40 / -40	-40 / -40	-40 / -40
Air Flow at 0 Static Pressure:			
Internal loop 50 Hz (CFM / M ³ /Hr)	138 / 234	N/A	N/A
External loop 50 Hz (CFM / M ³ /Hr)	268 / 455	N/A	N/A
Internal loop 60 Hz (CFM / M ³ /Hr)	143 / 362	143 / 243	143 / 243
External loop 60 Hz (CFM / M ³ /Hr)	288 / 728	288 / 489	288 / 489
ELECTRICAL DATA			
Rated Voltage	110 / 115	230	400-460/460
Frequency (Hz)	50 / 60	50 / 60	50 / 60
Operating Range	+/-10%	+/-10%	+/-10%
Max. Power Consumption (Watts at 50 / 60 Hz)	930 / 1001	972 / 1106	972 / 1106
Max. Nominal Current (Amps at 50 / 60 Hz)	10.2 / 9.4	4.9 / 5.0	2.4 / 2.5
Starting Current (Amps)	40	24.5	12.5
Agency Approvals		cUL Listed CE	
		Others available upon request	
Power Input Description		Terminal Block	
ENCLOSURE PROTECTION			
UL Type		Type 4, 4X Standard	
CONTROLLER			
Description		Digital Controller	
Controller Location		Enclosure Side	
Factory Controller Setting (°F / °C)		80 / 27	
SOUND LEVEL			
At 1.5 Meters	66.1 dBA	65.5 dBA	65.5 dBA
UNIT CONSTRUCTION			
Material		Galvanized Sheet Metal Type 4 Models Stainless steel 316L Type 4X and Offshore Models	
Finish		RAL 7035 light-gray, semi-textured powder-coat paint standard Other colors available	
UNIT DIMENSIONS			
Height (in / mm)		28 / 711.2	
Width (in / mm)		11.50 / 292.1	
Depth (in / mm)		14.00 / 355.6	
Weight (lb / kg)	84/38	84/38	98/44

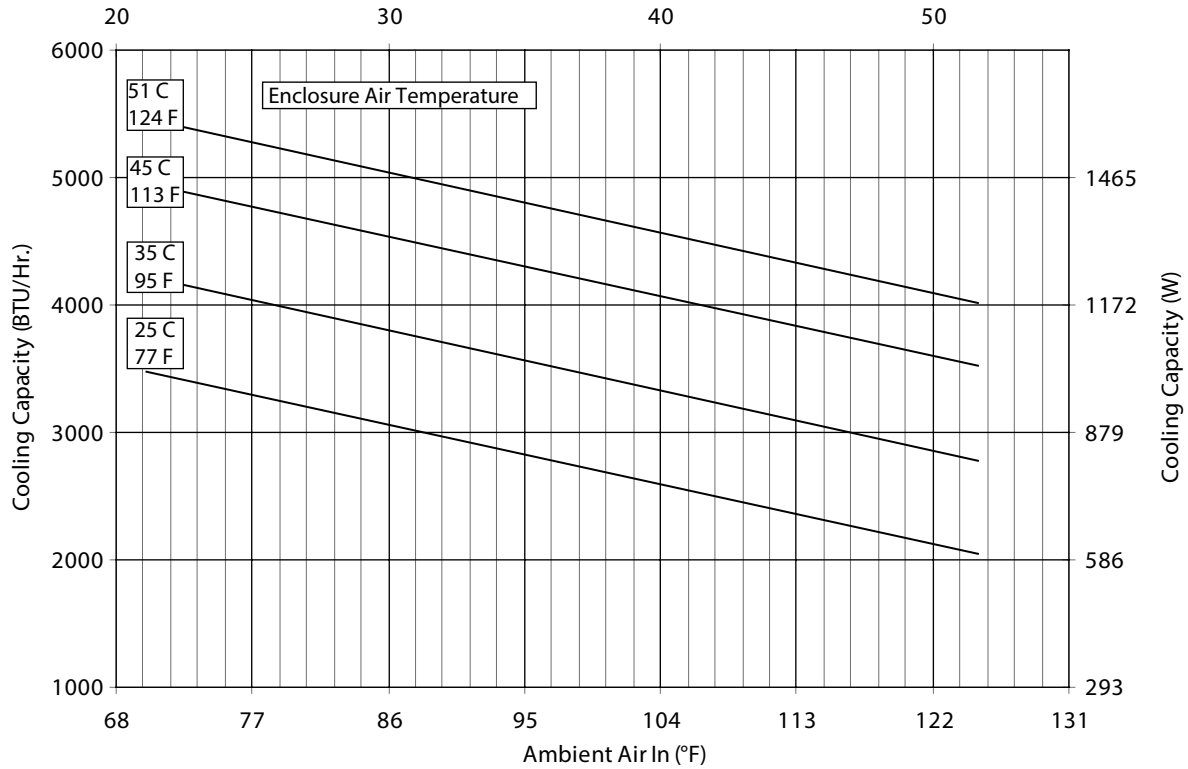
*Units with Remote Access Control utilize a digital controller and communicate via EtherNet/IP, Profinet, Modbus TCP/IP and SNMP over ethernet or modbus RTU over USB.



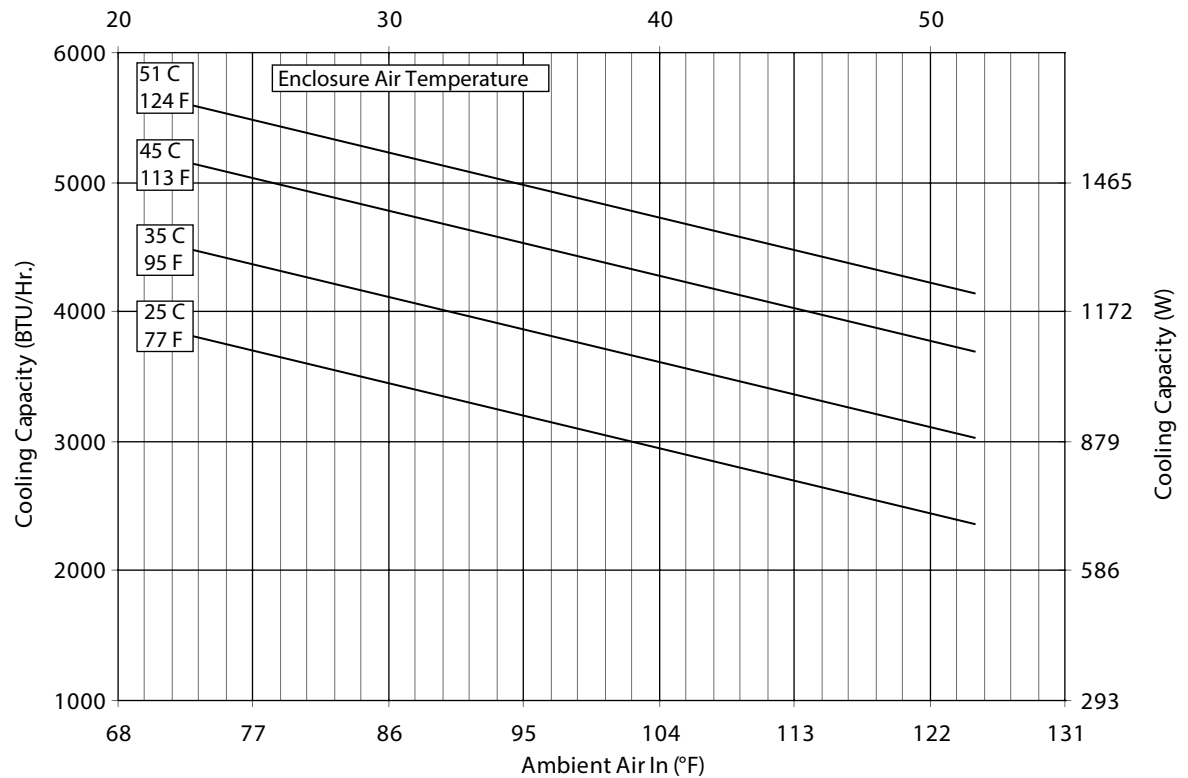
Performance Curves for NHZ28 Models 4000 BTU/Hr. (1172 Watt)



NHZ28-0416-GXXX Capacity Curves at 50 Hz
Ambient Air In (°C)

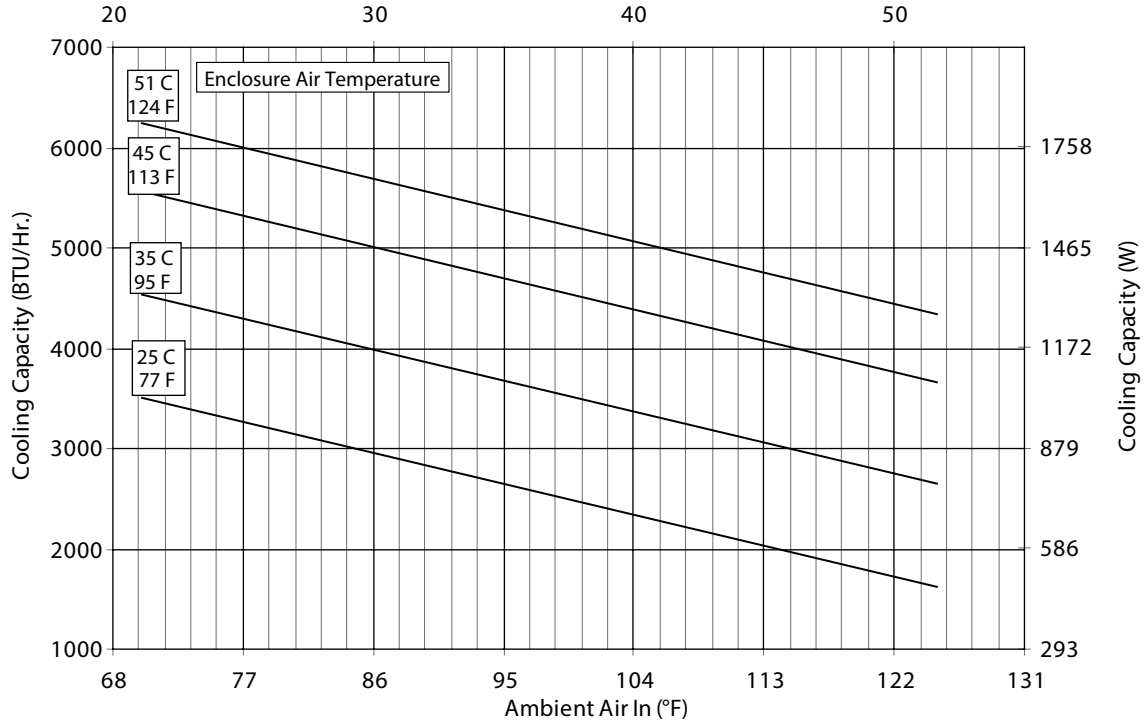


NHZ28-0416-GXXX Capacity Curves at 60 Hz
Ambient Air In (°C)

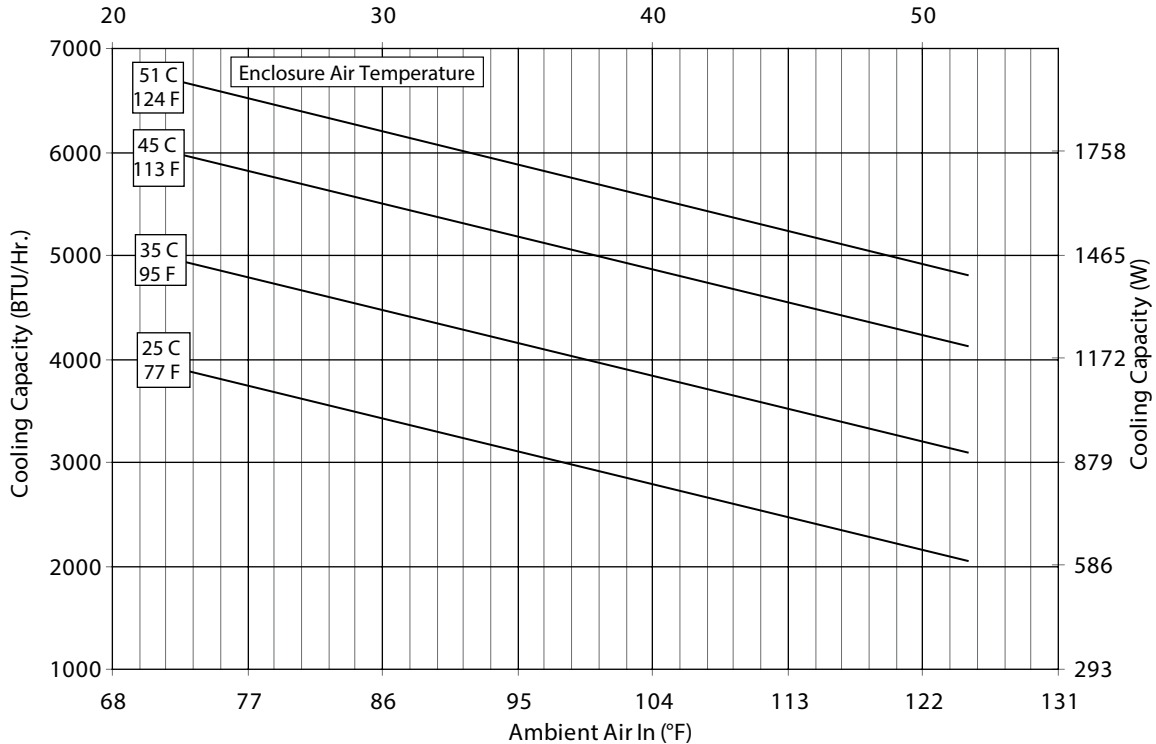


Performance Curves for NHZ28 Models 4000 BTU/Hr. (1172 Watt)

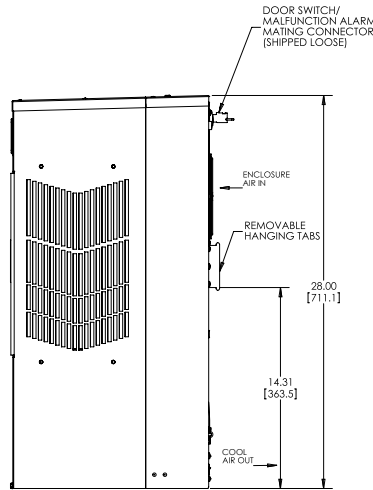
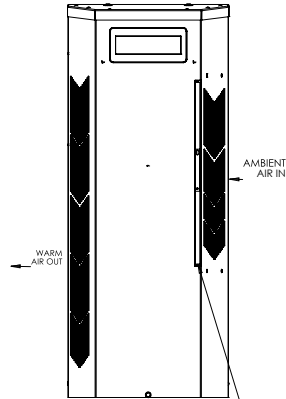
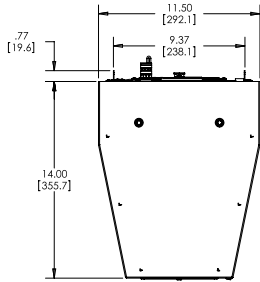
NHZ28-0426-GXXX Capacity Curves at 50 Hz
Ambient Air In (°C)



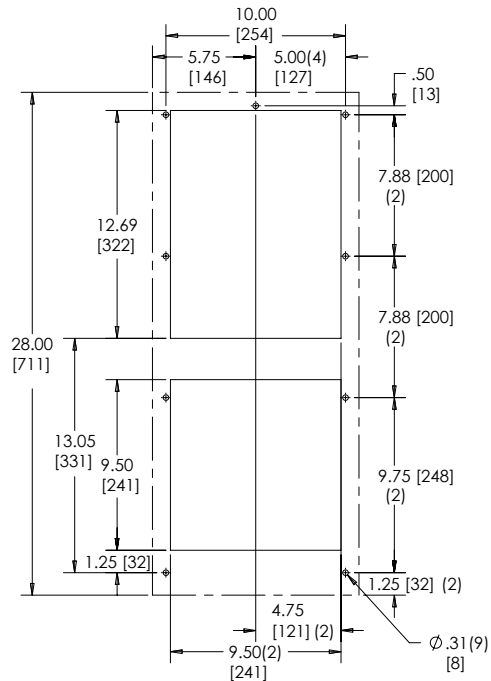
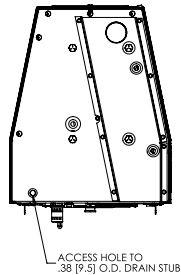
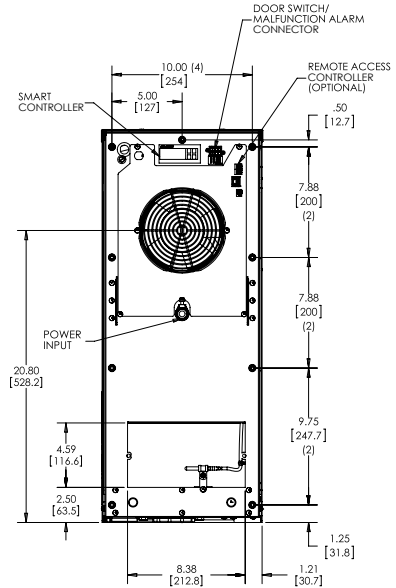
NHZ28-0426-GXXX Capacity Curves at 60 Hz
Ambient Air In (°C)



NHZ28 Models 4000 BTU/Hr. (1172 Watt)



89115569



Cutout Dimensions

Visit nVent.com/HOFFMAN to download 2D and 3D CAD drawings into the overall design of your electrical system.



Performance Data **NHZ36 6000/8000 BTU/Hr. (1758/2344 Watt)**

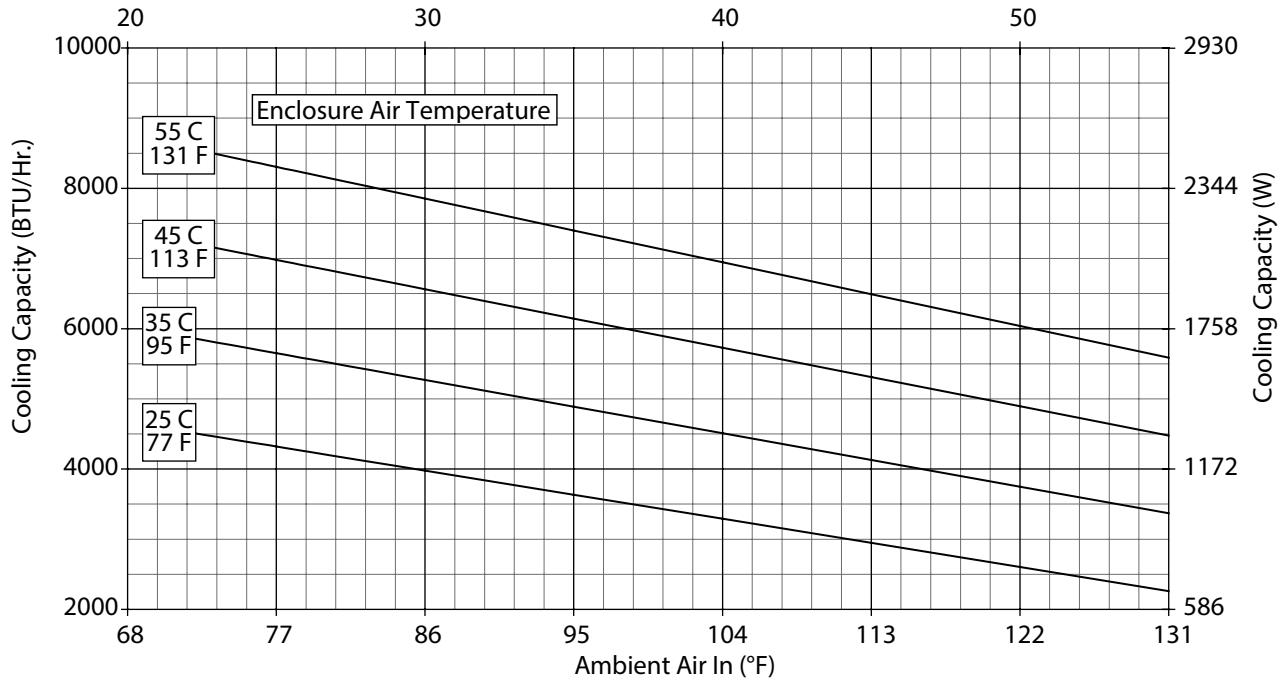
CATALOG NUMBER						
Painted Galvanized Steel Type 4	NHZ360616G300	NHZ360626G300	NHZ360646G300	NHZ360816G300	NHZ360826G300	NHZ360846G300
Painted Galvanized Steel Type 4 with Remote Access Control*	NHZ360616G360	NHZ360626G360	NHZ360646G360	NHZ360816G360	NHZ360826G360	NHZ360846G360
Stainless Steel Type 4X	NHZ360616G400	NHZ360626G400	NHZ360646G400	NHZ360816G400	NHZ360826G400	NHZ360846G400
Stainless Steel Type 4X with Remote Access Control*	NHZ360616G460	NHZ360626G460	NHZ360646G460	NHZ360816G460	NHZ360826G460	NHZ360846G460
Stainless Steel Type 4X Offshore	NHZ360616G500	NHZ360626G500	NHZ360646G500	NHZ360816G500	NHZ360826G500	NHZ360846G500
COOLING PERFORMANCE						
Nominal:						
BTUs/Hr.	5400 / 6000	5400 / 6000	5400 / 6000	8250 / 8500	8250 / 8500	8250 / 8500
Watts	1581 / 1757	1581 / 1757	1581 / 1757	2416 / 2489	2416 / 2489	2416 / 2489
At 131 F / 131 F (55 C / 55 C):						
BTU/Hr. (50 / 60 Hz)	5585 / 6180	5469 / 5965	5300 / 6089	8213 / 8453	7874 / 8063	7777 / 8166
Watts (50 / 60 Hz)	1637 / 1811	1603 / 1748	1553 / 1785	2405 / 2475	2306 / 2361	2277 / 2391
At 95 F / 95 F (35 C / 35 C):						
BTU/Hr. (50 / 60 Hz)	4909 / 5485	5159 / 5621	5572 / 6026	7028 / 7626	6660 / 7411	6877 / 7525
Watts (50 / 60 Hz)	1439 / 1607	1512 / 1647	1633 / 1766	2058 / 2233	1950 / 2170	2014 / 2203
Refrigerant	R134a	R134a	R134a	R134a	R134a	R134a
Refrigerant Charge (ounces/grams)	20 / 567	22 / 624	16 / 454	36 / 1021	36 / 1021	36 / 1021
Operating Temperature Range:						
Maximum (°F / °C)	131 / 55	131 / 55	131 / 55	131 / 55	131 / 55	131 / 55
Minimum (°F / °C)	-40 / -40	-40 / -40	-40 / -40	-40 / -40	-40 / -40	-40 / -40
Air Flow at 0 Static Pressure:						
Internal loop 50 Hz (CFM / M ³ /Hr)	251 / 426	250 / 425	250 / 425	250 / 425	245 / 416	243 / 413
External loop 50 Hz (CFM / M ³ /Hr)	284 / 483	338 / 574	338 / 574	313 / 532	347 / 589	365 / 620
Internal loop 60 Hz (CFM / M ³ /Hr)	261 / 443	261 / 443	261 / 443	263 / 447	258 / 439	254 / 432
External loop 60 Hz (CFM / M ³ /Hr)	311 / 528	356 / 605	356 / 605	338 / 574	382 / 648	394 / 669
ELECTRICAL DATA						
Rated Voltage	115	230	400 / 460 3~	115	230	400 / 460 3~
Frequency (Hz)	50 / 60	50 / 60	50 / 60	50 / 60	50 / 60	50 / 60
Operating Range	+/-10%	+/-10%	+/-10%	+/-10%	+/-10%	+/-10%
Max. Power Consumption (Watts at 50 / 60 Hz)	911 / 1108	908 / 1073	691 / 783	1206 / 1422	1265 / 1403	572 / 628
Max. Nominal Current (Amps at 50 / 60 Hz)	9.1 / 10.1	4.5 / 4.7	1.7 / 1.8	11.2 / 12.4	5.5/6.2	3.0 / 3.4
Starting Current (Amps)	39.2	23	8.1	48.3	27	16
Agency Approvals	cUL Listed CE Others available upon request					
Power Input Description	Terminal Block					
ENCLOSURE PROTECTION						
UL Type	Type 4, 4X Standard					
CONTROLLER						
Description	Digital Controller					
Controller Location	Enclosure Side					
Factory Controller Setting (°F / °C)	80 / 27					
SOUND LEVEL						
At 1.5 Meters	66.9 dBA	66.7 dBA	68.2 dBA	66.0 dBA	66.0 dBA	66.0 dBA
UNIT CONSTRUCTION						
Material	Galvanized Sheet Metal Type 4 Models Stainless steel 316L Type 4X and Offshore Models					
Finish	RAL 7035 light-gray, semi-textured powder-coat paint standard Other colors available					
UNIT DIMENSIONS						
Height (in / mm)	36.00 / 914.4					
Width (in / mm)	11.50 / 292.1					
Depth (in / mm)	14.00 / 355.6					
Weight (lb / kg)	100 / 45	100 / 45	104 / 47	106 / 48	106 / 48	114 / 52

*Units with Remote Access Control utilize a digital controller and communicate via EtherNet/IP, Profinet, Modbus TCP/IP and SNMP over ethernet or modbus RTU over USB.

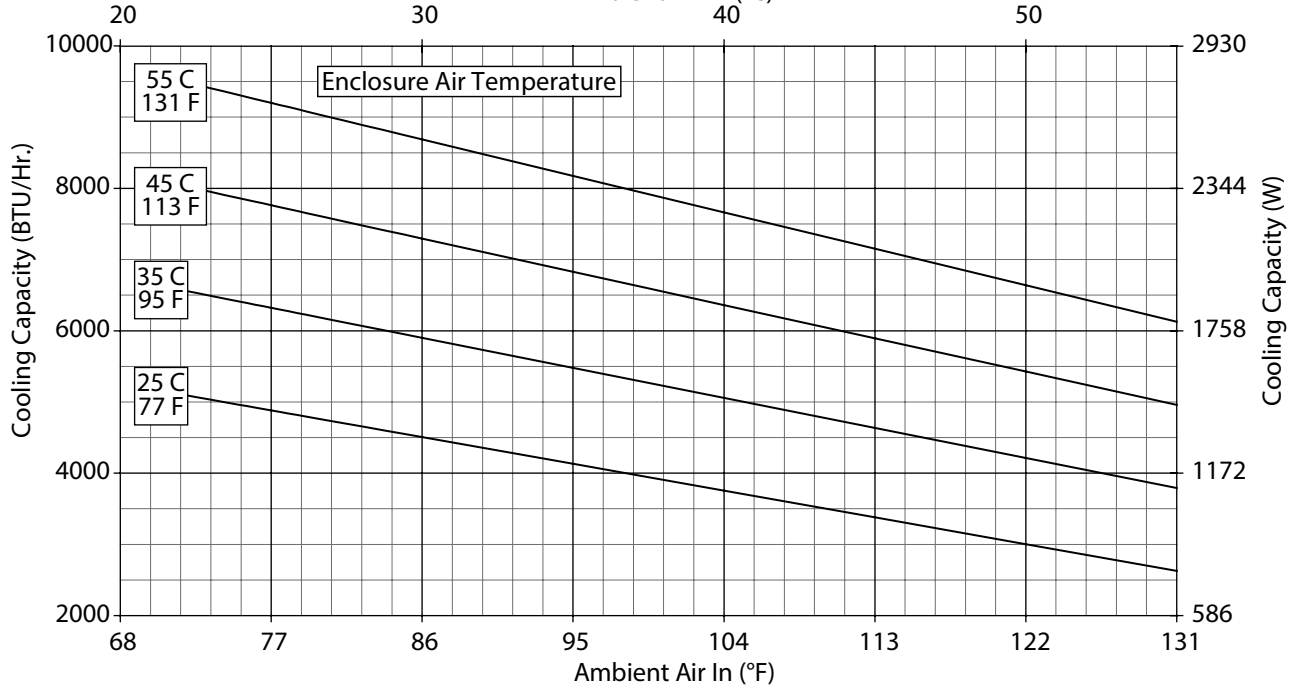
Performance Curves for NHZ36 Models 6000 BTU/Hr. (1758 Watt)



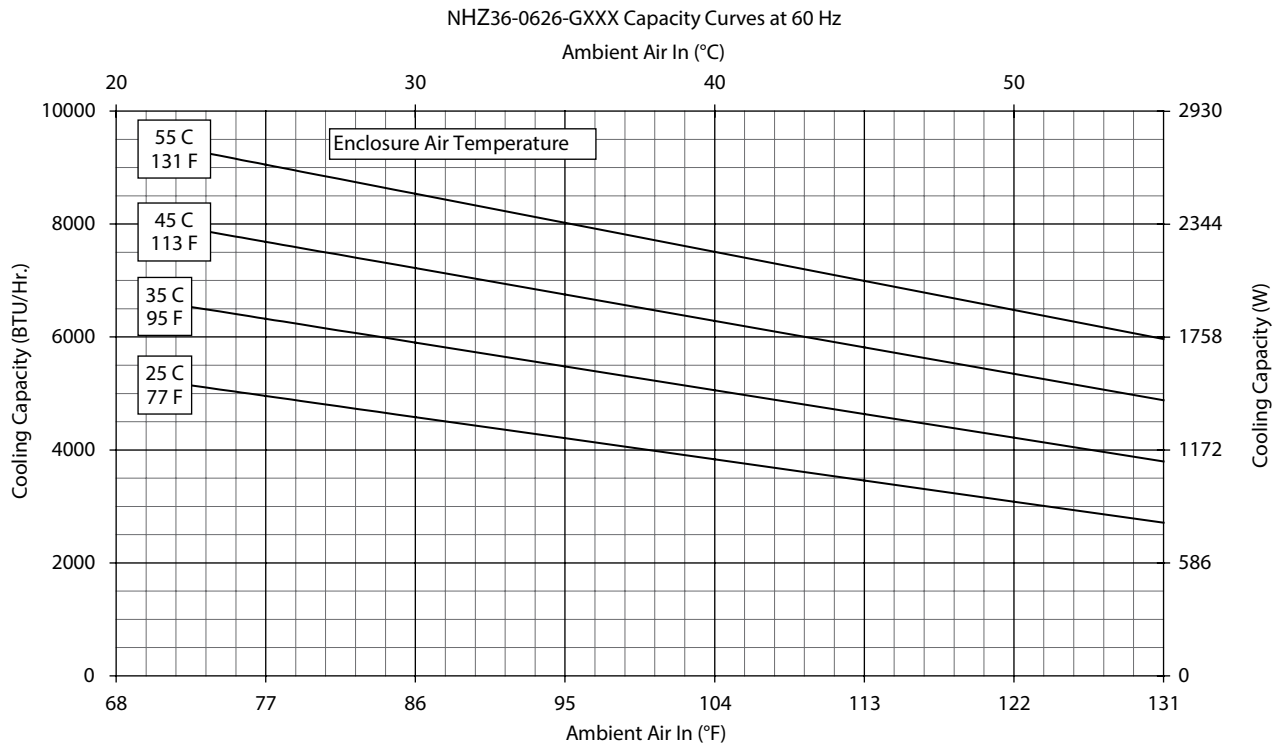
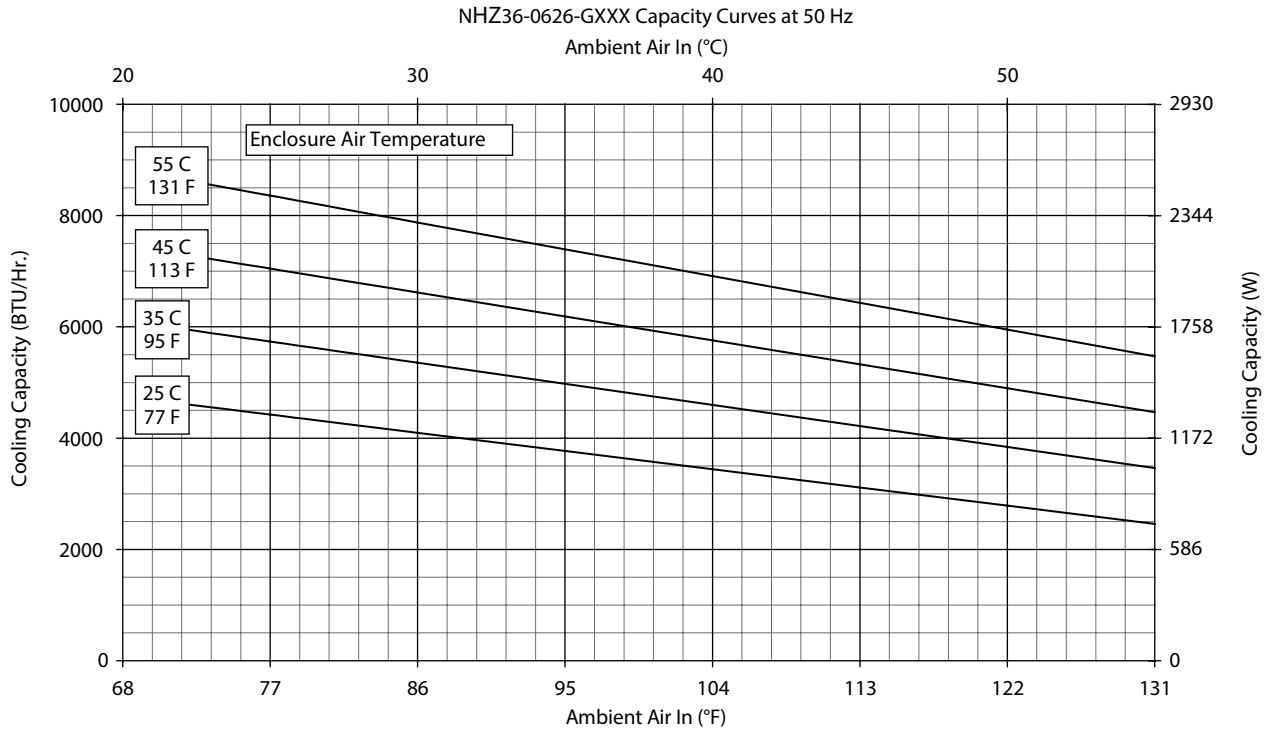
NHZ36-0616-GXXX Capacity Curves at 50 Hz
Ambient Air In (°C)



NHZ36-0616-GXXX Capacity Curves at 60 Hz
Ambient Air In (°C)



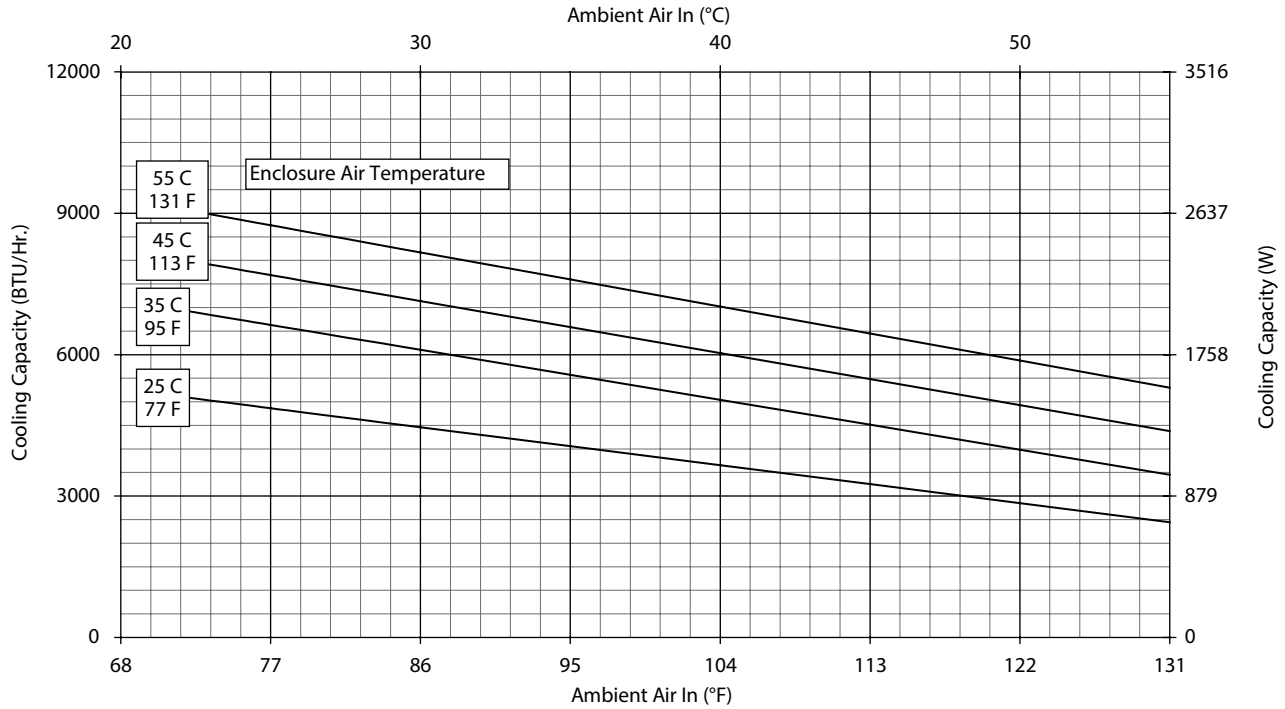
Performance Curves for NHZ36 Models 6000 BTU/Hr. (1758 Watt)



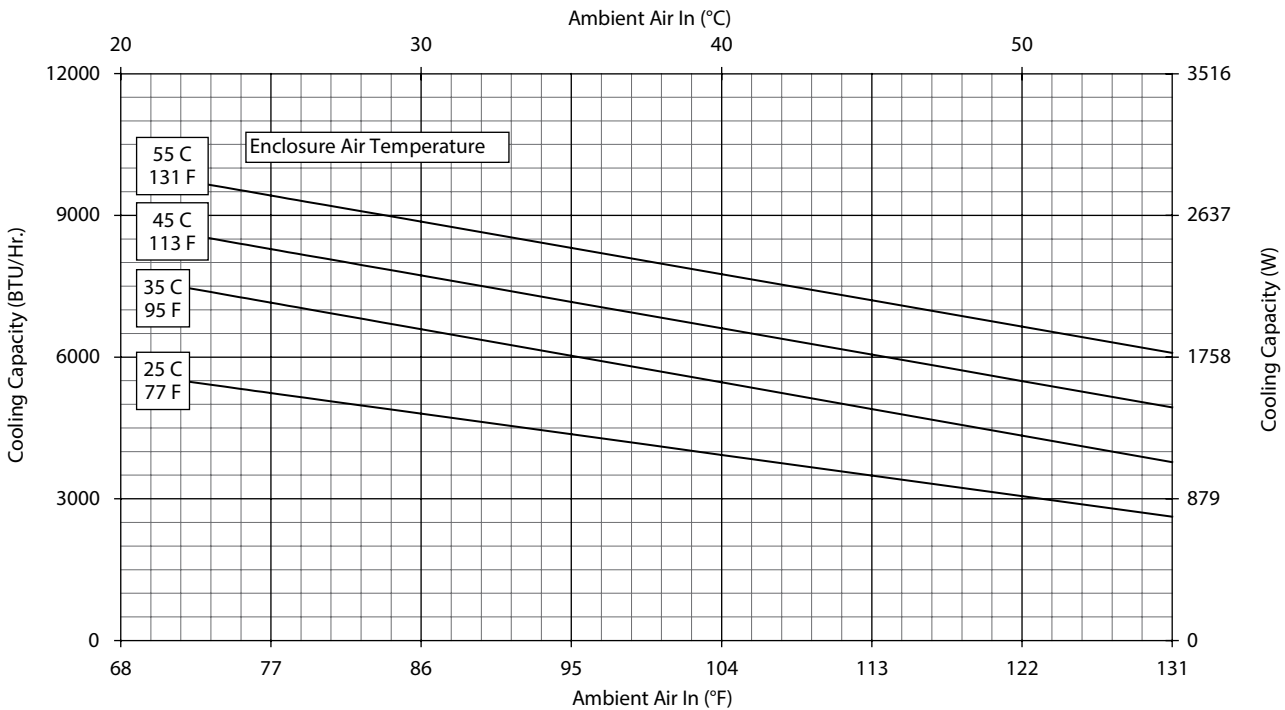
Performance Curves for NHZ36 Models 6000 BTU/Hr. (1758 Watt)



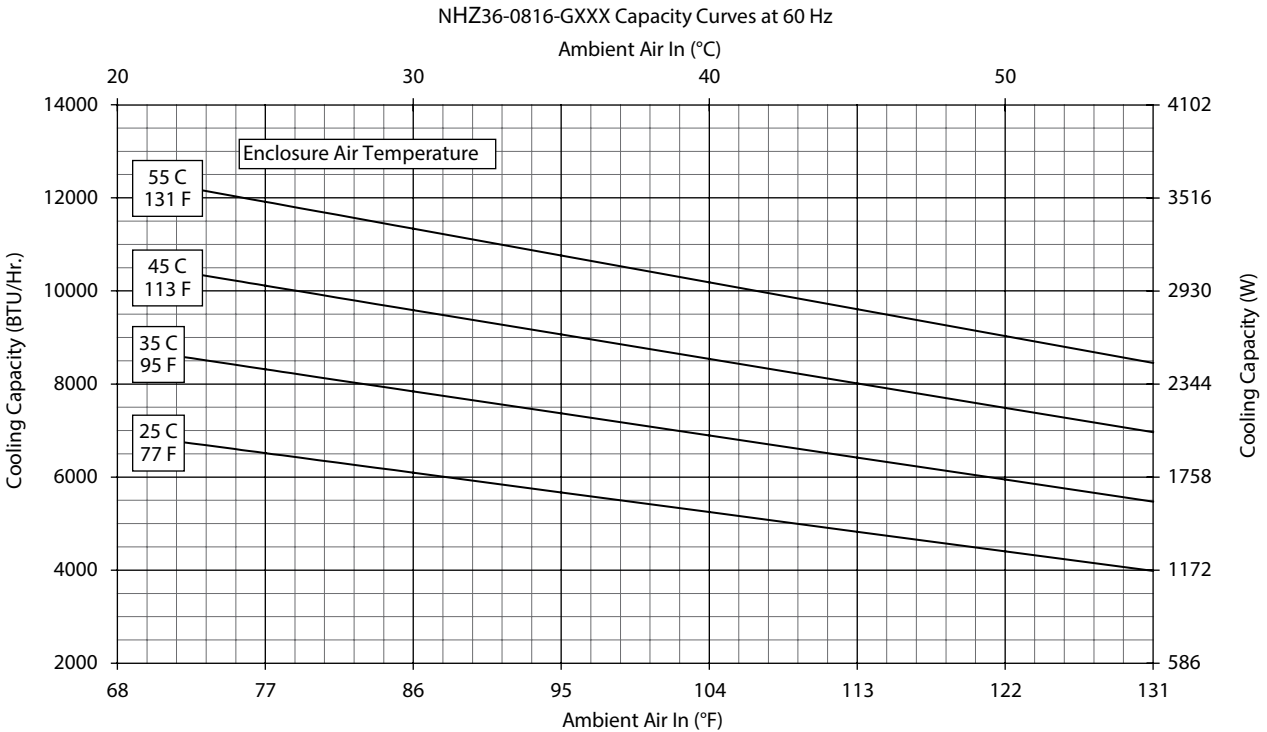
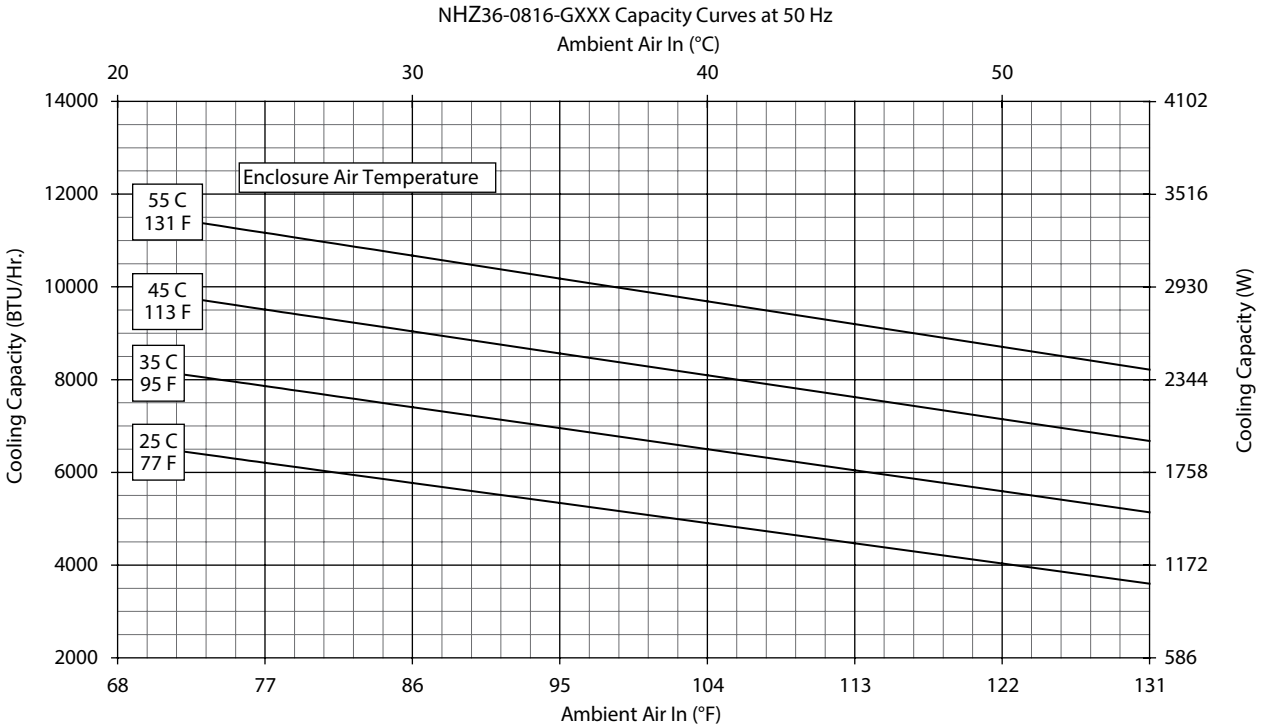
NHZ36-0646-GXXX Capacity Curves at 50 Hz



NHZ36-0646-GXXX Capacity Curves at 60 Hz



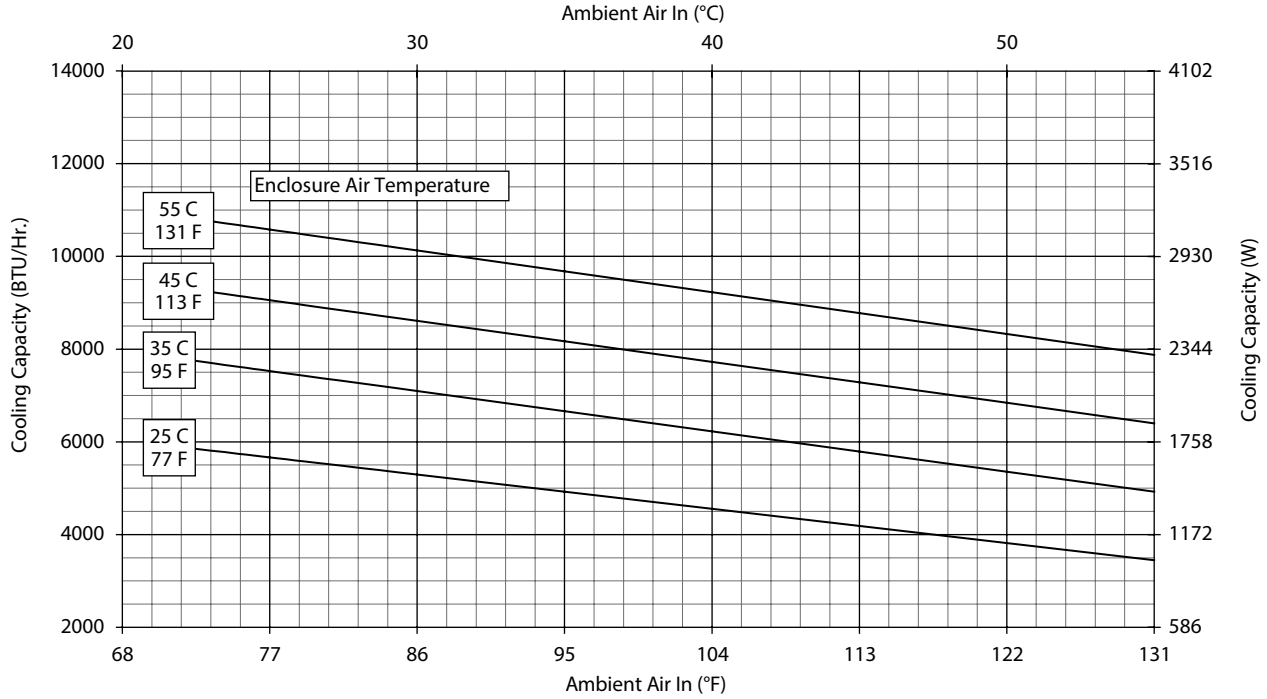
Performance Curves for NHZ36 Models 8000 BTU/Hr. (2344 Watt)



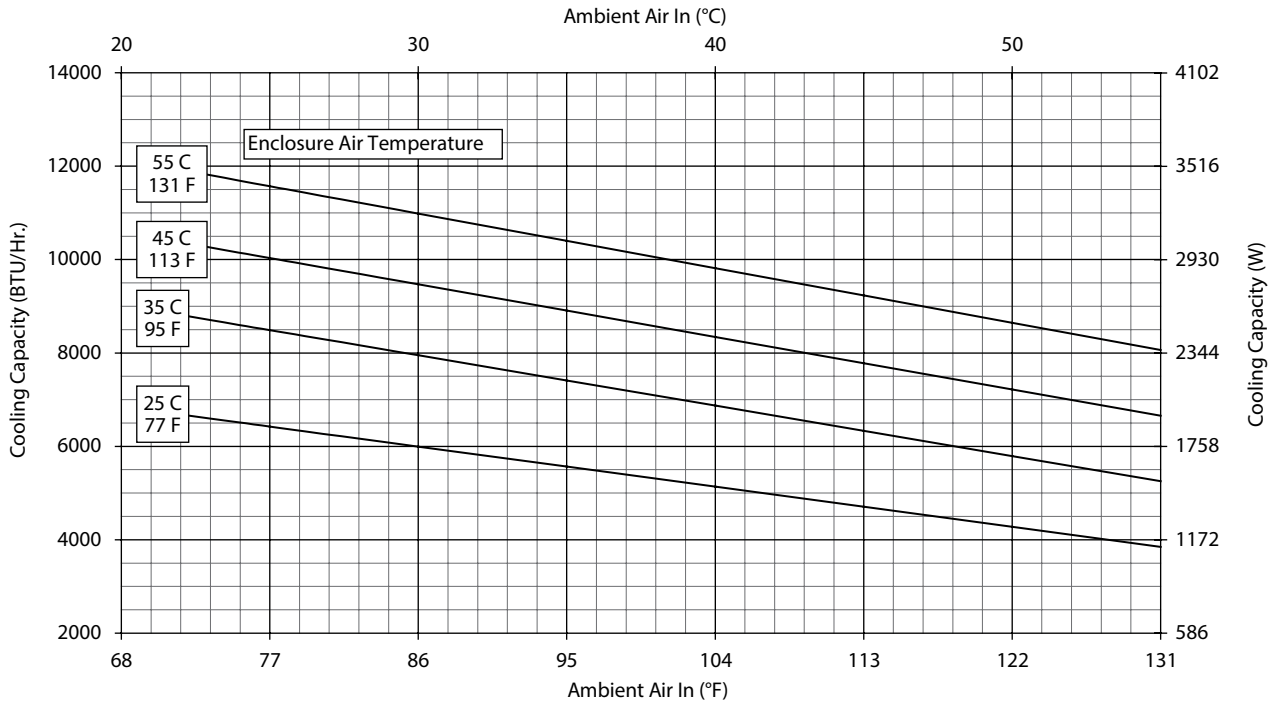
Performance Curves for NHZ36 Models 8000 BTU/Hr. (2344 Watt)



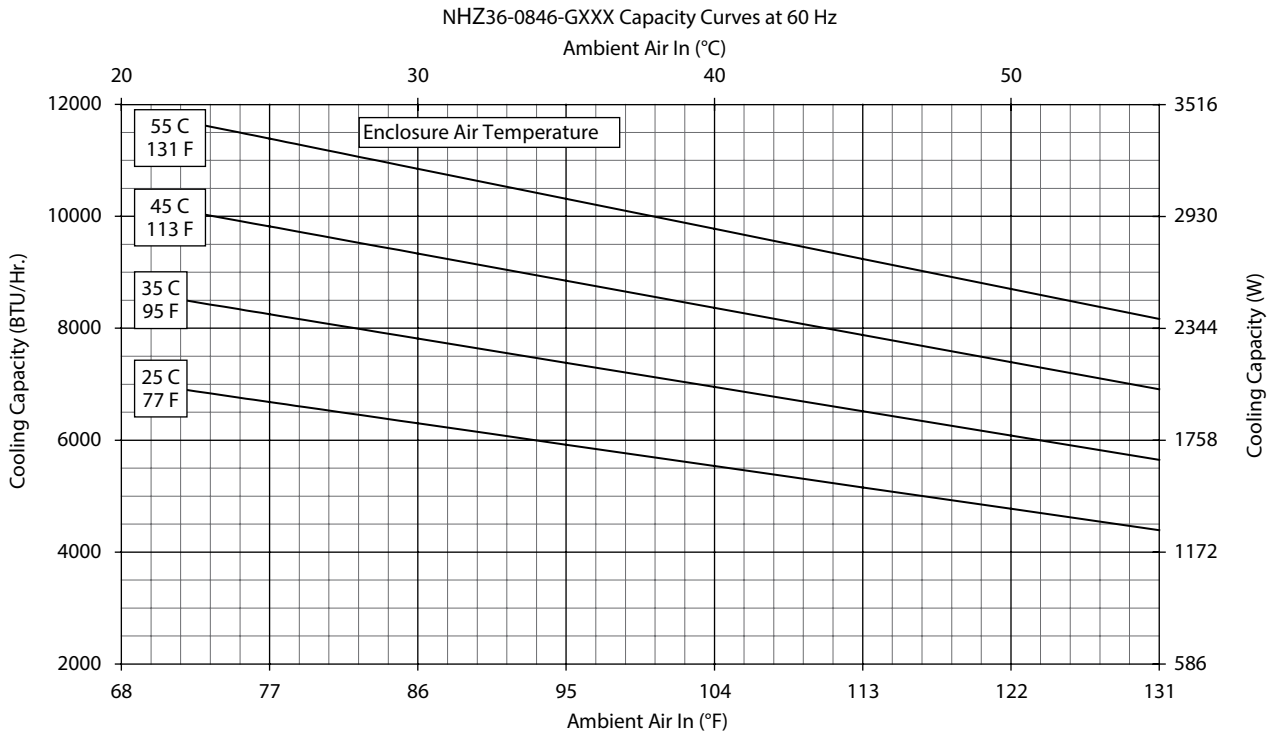
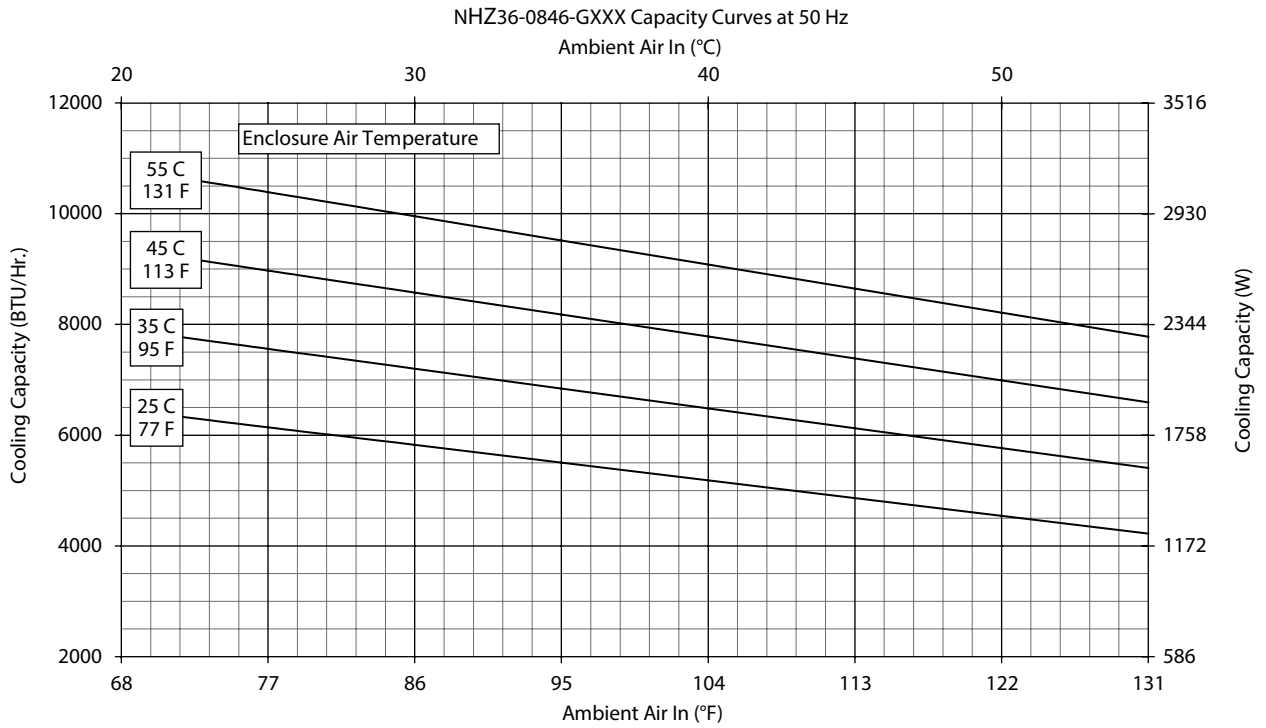
NHZ36-0826-GXXX Capacity Curves at 50 Hz



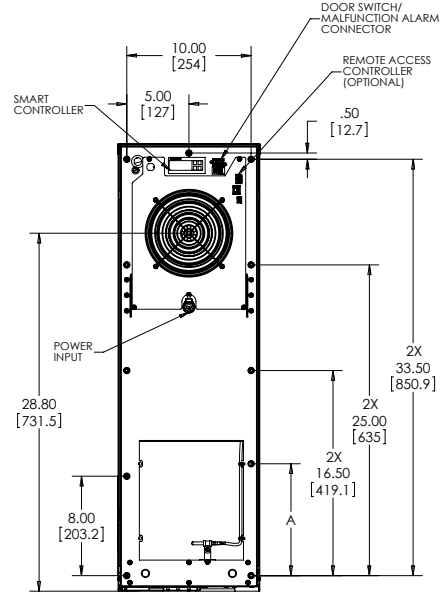
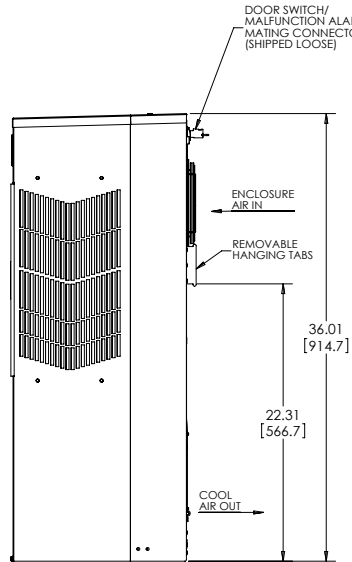
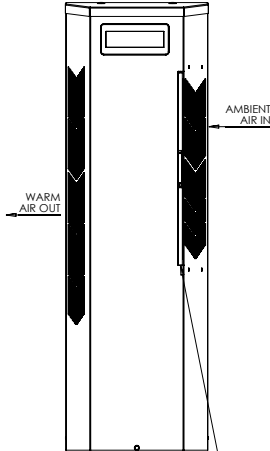
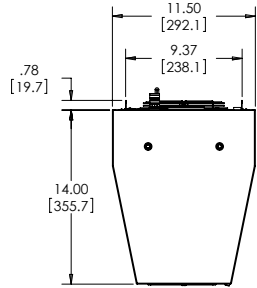
NHZ36-0826-GXXX Capacity Curves at 60 Hz



Performance Curves for NHZ36 Models 8000 BTU/Hr. (2344 Watt)

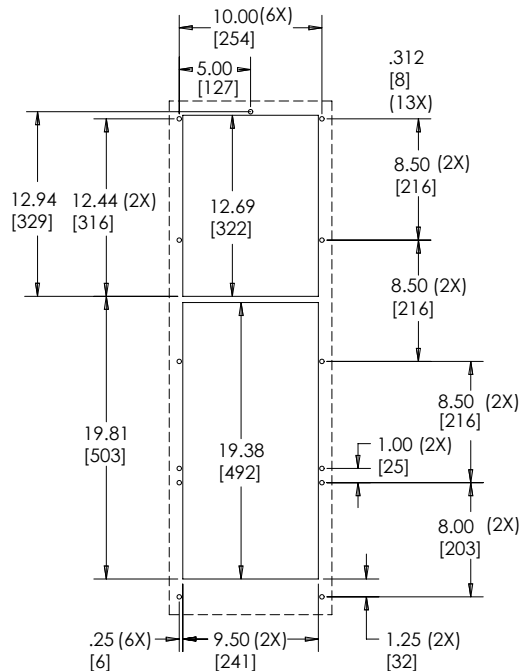
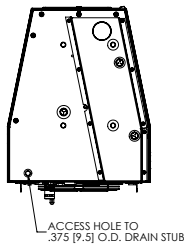


NHZ36 6000/8000 BTU/Hr. (1758/2344 Watt)



CLEANABLE, REUSABLE ALUMINUM INLET AIR FILTER PULLS OUT FRONT

89115570



Cutout Dimensions

Visit nVent.com/HOFFMAN to download 2D and 3D CAD drawings into the overall design of your electrical system.



Performance Data **NHZ43 11000 BTU/Hr. (3223 Watt)**

CATALOG NUMBER			
Painted Galvanized Steel Type 4	NHZ431216G300	NHZ431226G300	NHZ431246G300
Painted Galvanized Steel Type 4 with Remote Access Control*	NHZ431216G360	NHZ431226G360	NHZ431246G360
Stainless Steel Type 4X	NHZ431216G400	NHZ431226G400	NHZ431246G400
Stainless Steel Type 4X with Remote Access Control*	NHZ431216G460	NHZ431226G460	NHZ431246G460
Stainless Steel Type 4X Offshore	NHZ431216G500	NHZ431226G500	NHZ431246G500
COOLING PERFORMANCE			
Nominal:			
BTUs/Hr.	10400 / 11000	10400 / 11000	10400 / 11000
Watts	3047 / 3223	2900 / 3223	2900 / 3223
At 131 F / 131 F (55 C / 55 C):			
BTU/Hr. (50 / 60 Hz)	10588 / 11180	9946 / 11052	10048 / 10797
Watts (50 / 60 Hz)	3103 / 3277	2915 / 3239	2945 / 3164
At 95 F / 95 F (35 C / 35 C):			
BTU/Hr. (50 / 60 Hz)	9475 / 10023	8967 / 9644	8587 / 9559
Watts (50 / 60 Hz)	2777 / 2937	2628 / 2826	2517 / 2801
Refrigerant	R134a	R134a	R134a
Refrigerant Charge (ounces/grams)	36 / 1021	38 / 1077	41 / 1162
Operating Temperature Range:			
Maximum (°F / °C)	125 / 52	131 / 55	131 / 55
Minimum (°F / °C)	-40 / -40	-40 / -40	-40 / -40
Air Flow at 0 Static Pressure:			
Internal loop 50 Hz (CFM / M ³ /Hr)	239 / 406	259 / 440	254 / 432
External loop 50 Hz (CFM / M ³ /Hr)	494 / 839	489 / 831	341 / 579
Internal loop 60 Hz (CFM / M ³ /Hr)	250 / 425	267 / 454	260 / 442
External loop 60 Hz (CFM / M ³ /Hr)	528 / 897	525 / 892	564 / 958
ELECTRICAL DATA			
Rated Voltage	115	230	400 / 460 3~
Frequency (Hz)	50 / 60	50 / 60	50 / 60
Operating Range	+/-10%	+/-10%	+/-10%
Max. Power Consumption (Watts at 50 / 60 Hz)	1620 / 2061	1802 / 2446	1294 / 1421
Max. Nominal Current (Amps at 50 / 60 Hz)	15.1 / 18.2	9.0 / 9.1	3.4 / 3.5
Starting Current (Amps)	57	38	16
Agency Approvals		cUL Listed CE	
		Others available upon request Terminal Block	
Power Input Description	Terminal Block		
ENCLOSURE PROTECTION			
UL Type	Type 4, 4X Standard		
CONTROLLER			
Description	Digital Controller		
Controller Location	Enclosure Side		
Factory Controller Setting (°F / °C)	80 / 27		
SOUND LEVEL			
At 1.5 Meters	68.4 dBA	68.4 dBA	69.6 dBA
UNIT CONSTRUCTION			
Material	Galvanized Sheet Metal Type 4 Models Stainless steel 316L Type 4X and Offshore Models		
Finish	RAL 7035 light-gray, semi-textured powder-coat paint standard Other colors available		
UNIT DIMENSIONS			
Height (in / mm)	43.00 / 1092.2		
Width (in / mm)	11.50 / 292.1		
Depth (in / mm)	14.00 / 355.6		
Weight (lb / kg)	127/57.6	127/57.6	138/62.6

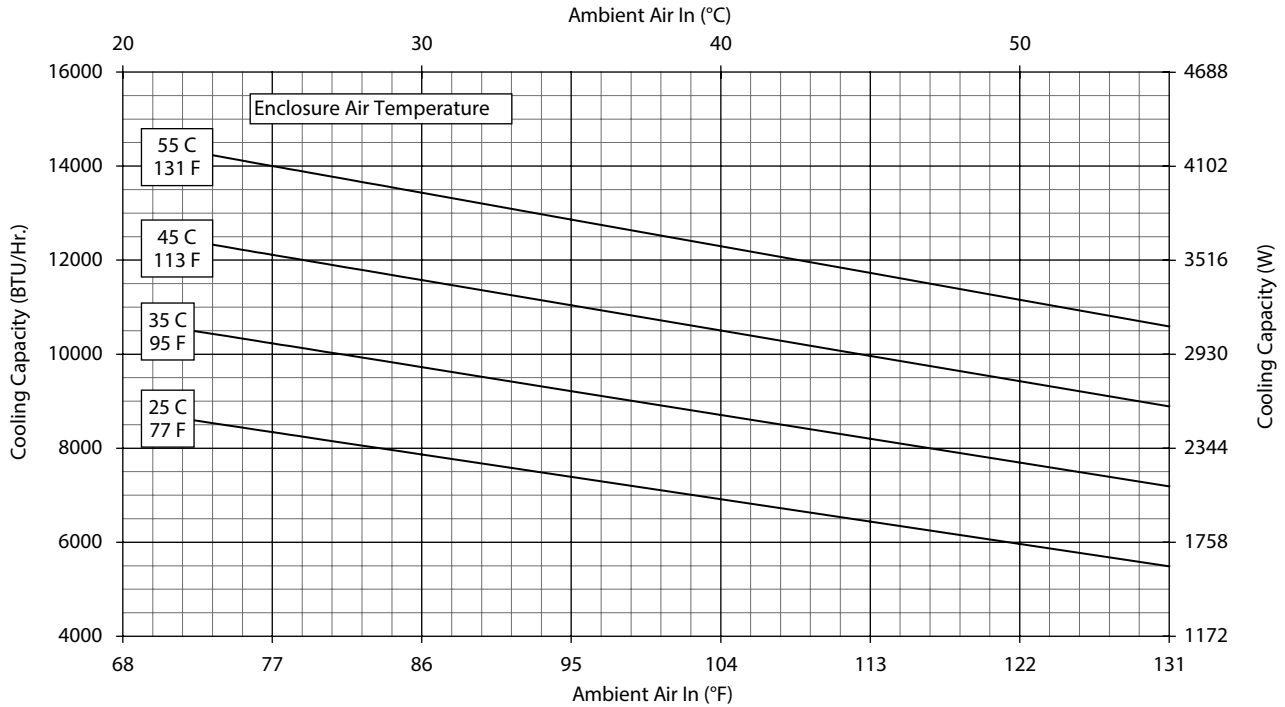
*Units with Remote Access Control utilize a digital controller and communicate via EtherNet/IP, Profinet, Modbus TCP/IP and SNMP over ethernet or modbus RTU over USB.



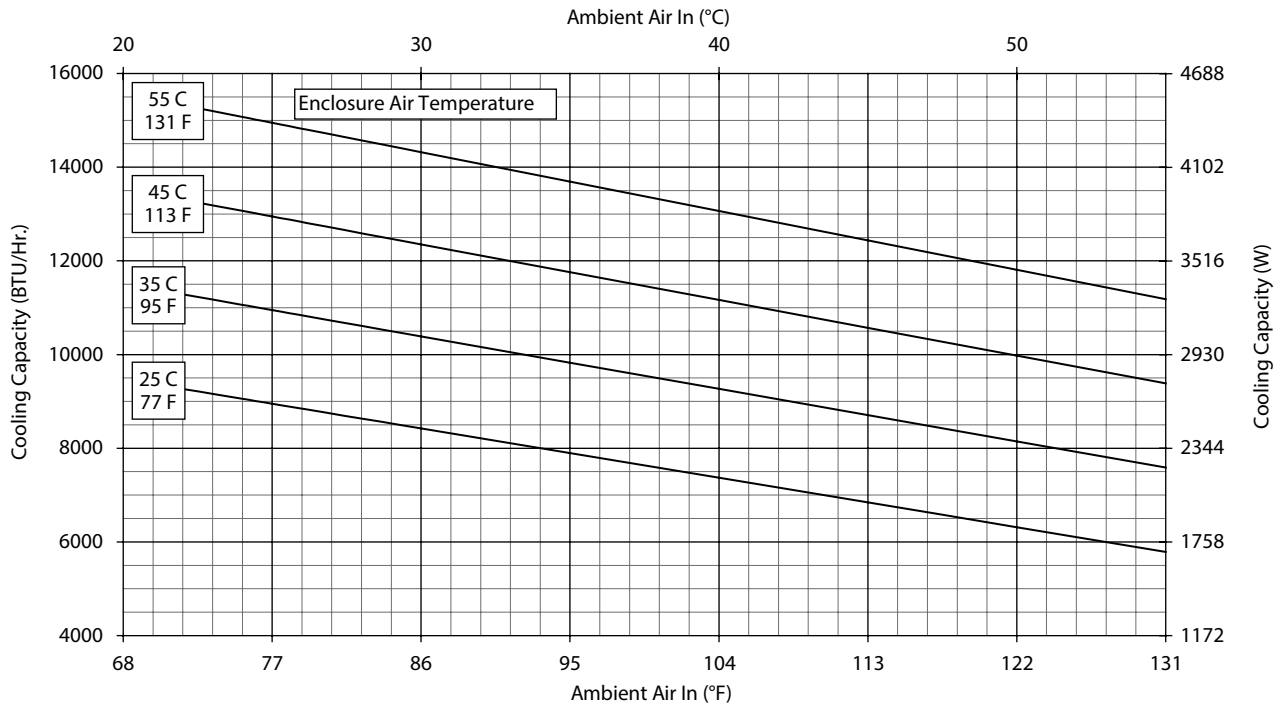
Performance Curves for NHZ43 Models 11000 BTU/Hr. (3223 Watt)



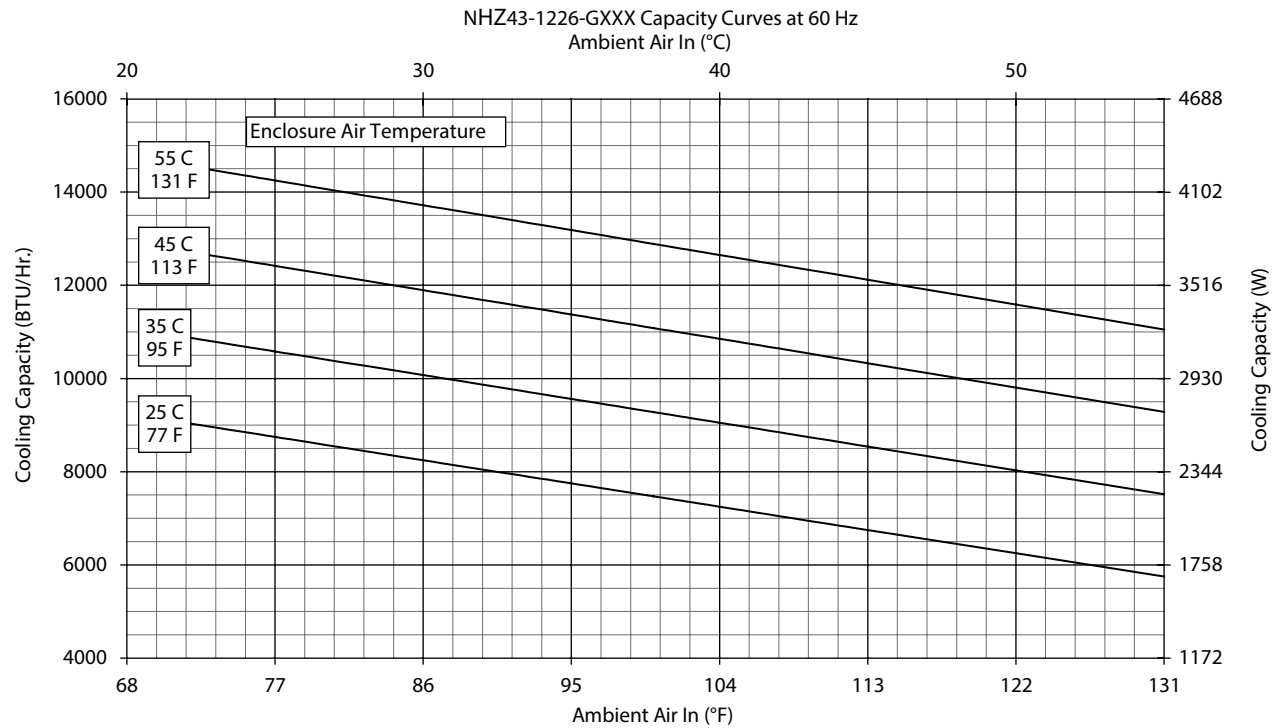
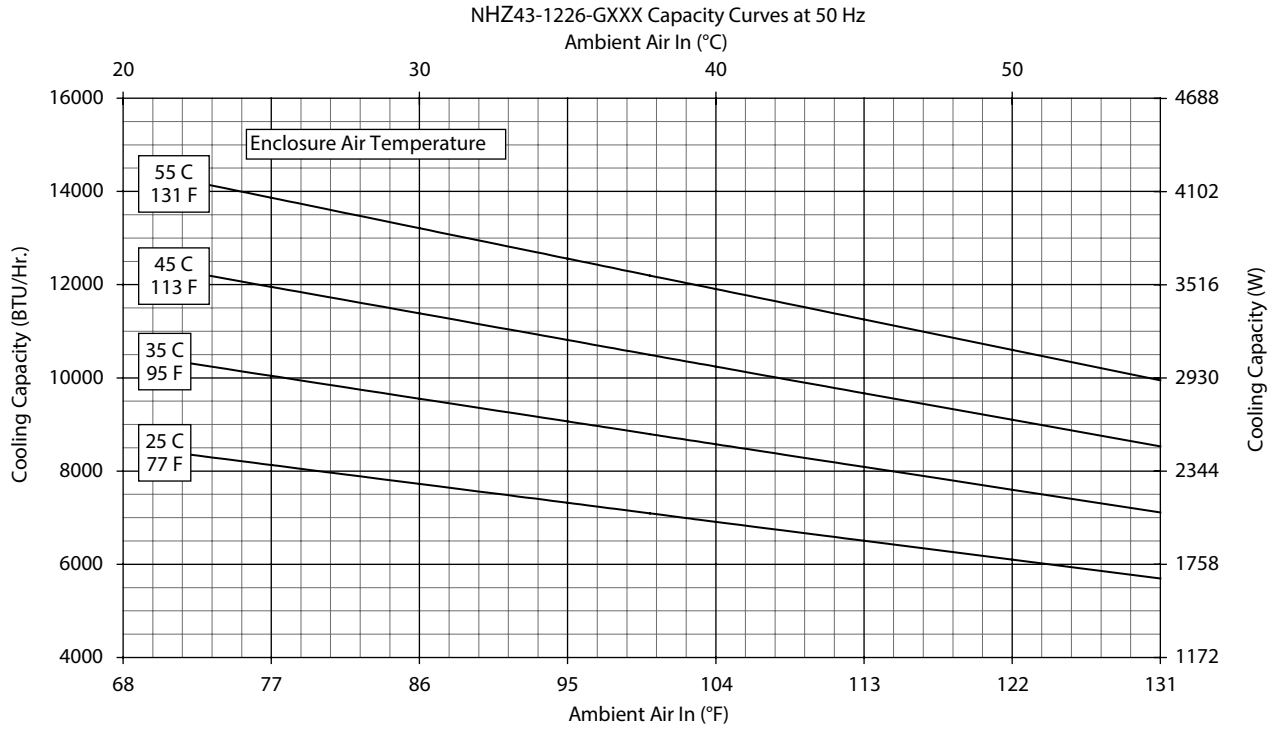
NHZ43-1216-GXXX Capacity Curves at 50 Hz



NHZ43-1216-GXXX Capacity Curves at 60 Hz



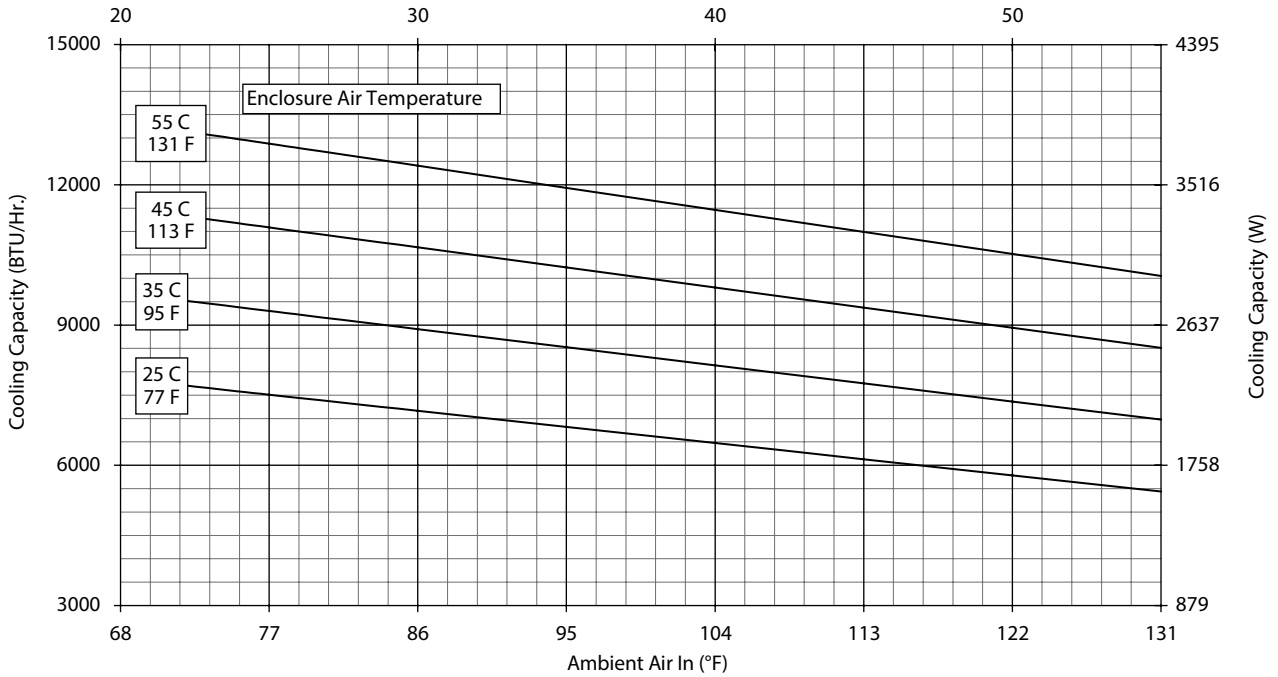
Performance Curves for NHZ43 Models 11000 BTU/Hr. (3223 Watt)



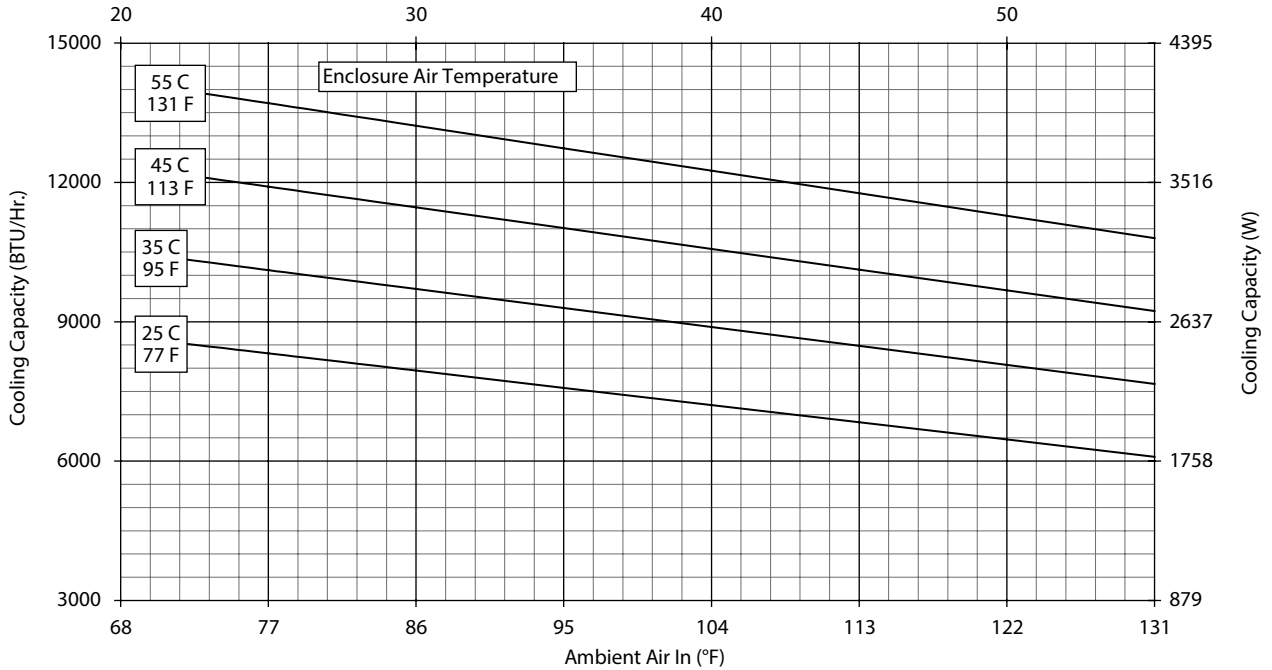
Performance Curves for NHZ43 Models 11000 BTU/Hr. (3223 Watt)

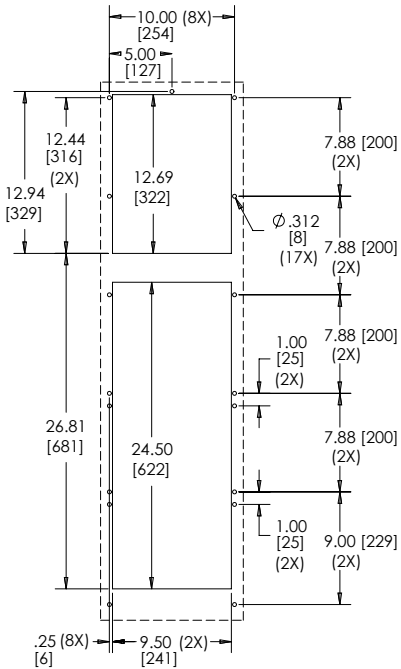
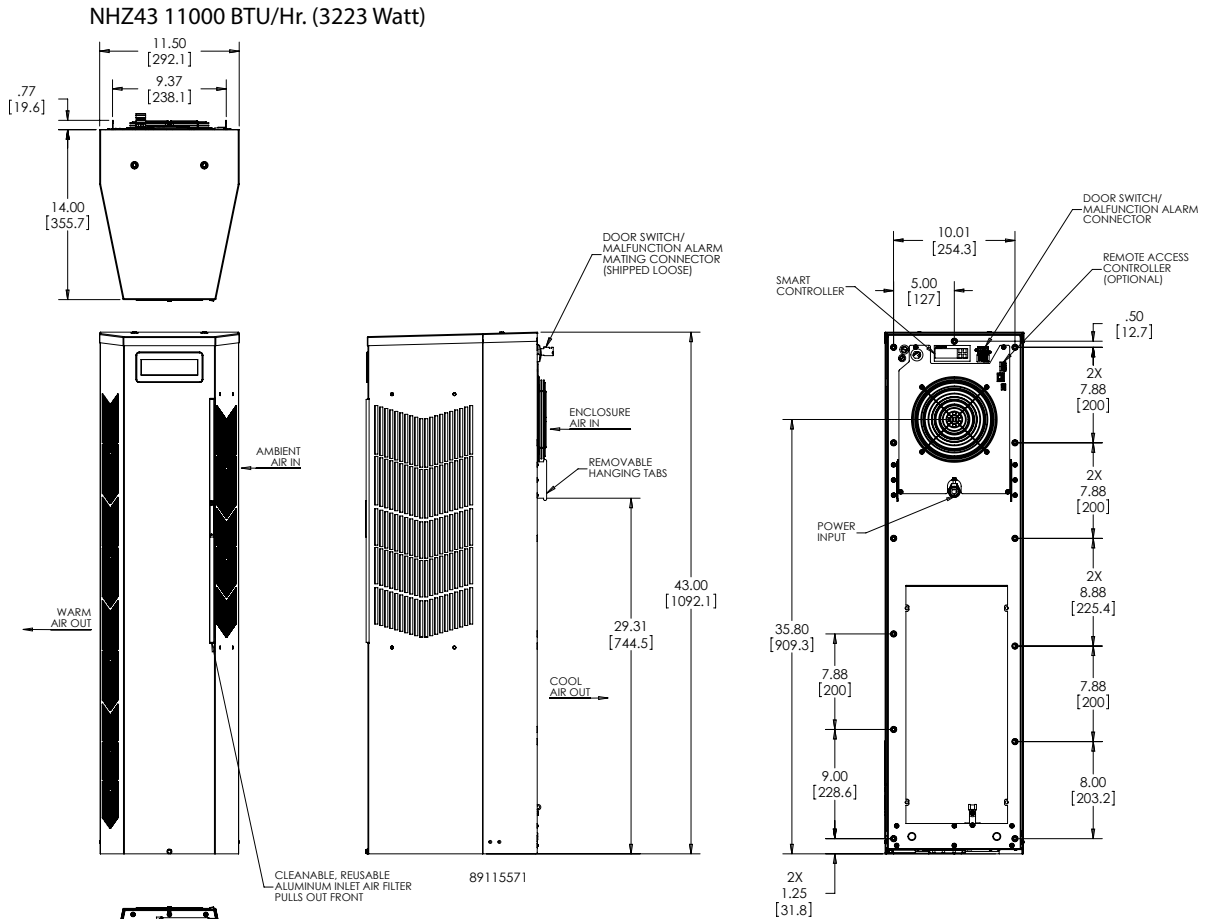


NHZ43-1246-GXXX Capacity Curves at 50 Hz
Ambient Air In (°C)

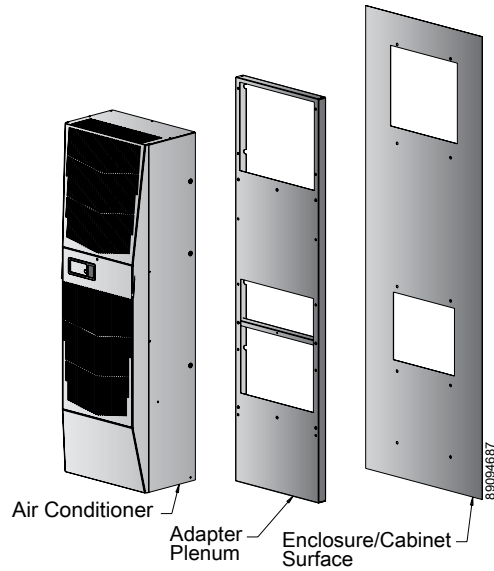


NHZ43-1246-GXXX Capacity Curves at 60 Hz
Ambient Air In (°C)





Visit nVent.com/HOFFMAN to download 2D and 3D CAD drawings into the overall design of your electrical system.

EASY SWAP ADAPTOR PLENUMS FOR AIR CONDITIONERS


3

INDUSTRY STANDARDS

Maintains NEMA Type 12 rating when properly installed on a Type 12 enclosure.
 NEMA Type 12
 IP 54

APPLICATION

When existing air conditioners are damaged or have reached end-of-life, EASY SWAP Adaptor Plenums provide a quick and easy means for attaching newer Hoffman air conditioners to the cutout left on the enclosure.

FEATURES

- No modification of the enclosure required - designed to match the enclosure cutout and mounting holes of the air conditioner being replaced
- Plenum design allows for optimum air flow (vs. a flat plate that can block the air intake and air outtake left by the older air conditioner)
- Gasket included

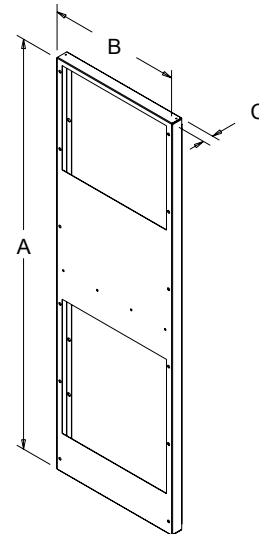
SPECIFICATIONS

- 18 gauge steel

FINISH

- Painted to match the standard Hoffman air conditioner color (light gray)

- Other colors available upon request


EASY SWAP Adaptor Plenum Cross Reference

Air Conditioner Manufacturer To Replace	Air Conditioner Series To Replace	Air Conditioner Part Number To Replace	Use This Hoffman Air Conditioner Catalog Number	With This Adaptor Plenum Catalog Number	Adaptor Plenum Dimensions AxBxC (in./mm)
Hoffman/McLean	Genesis	M130116G1014	N160116G050	PLM13N16	17.65x14.25x2.62 448x362x67
Hoffman/McLean	Genesis	M130126G1008	N160126G050	PLM13N16	17.65x14.25x2.62 448x362x67
Hoffman/McLean	Genesis	M130146G1400	N170146G010	PLM13N17	17.65x14.25x1.50 448x362x38
Hoffman/McLean	Genesis	M170216G009	N210216G050	PL17N21	20.87x12.00x1.50 530x305x38
Hoffman/McLean	Genesis	M170226G004	N210226G050	PL17N21	20.87x12.00x1.50 530x305x38
Hoffman/McLean	Genesis	M170246G400	N170246G010	Not Required	---
Hoffman/McLean	Genesis	M280216G013	N170216G010	PLM28N17	28.50x17.00x1.50 724x432x38
Hoffman/McLean	Genesis	M280226G004	N170226G010	PLM28N17	28.50x17.00x1.50 724x432x38



Air Conditioner Manufacturer To Replace	Air Conditioner Series To Replace	Air Conditioner Part Number To Replace	Use This Hoffman Air Conditioner Catalog Number	With This Adaptor Plenum Catalog Number	Adaptor Plenum Dimensions AxBxC (in./mm)
Hoffman/McLean	Genesis	M280246G400	N170246G010	PLM28N17	28.50x17.00x1.50 724x432x38
Hoffman/McLean	Genesis	M280416G007	G280416G050	PLM28G28	28.50x17.00x1.50 724x432x38
Hoffman/McLean	Genesis	M280426G032	G280426G050	PLM28G28	28.50x17.00x1.50 724x432x38
Hoffman/McLean	Genesis	M280446G400	G280446G050	PLM28G28	28.50x17.00x1.50 724x432x38
Hoffman/McLean	Genesis	M280616G005	G280616G050	PLM28G28	28.50x17.00x1.50 724x432x38
Hoffman/McLean	Genesis	M280626G005	G280626G050	PLM28G28	28.50x17.00x1.50 724x432x38
Hoffman/McLean	Genesis	M280646G400	G280646G050	PLM28G28	28.50x17.00x1.50 724x432x38
Hoffman/McLean	Genesis	M330416G010	N280416G050	PLM33N28	34.31x12.00x1.50 871x305x38
Hoffman/McLean	Genesis	M330426G009	N280426G050	PLM33N28	34.31x12.00x1.50 871x305x38
Hoffman/McLean	Genesis	M330446G400	N280446G050	PLM33N28	34.31x12.00x1.50 871x305x38
Hoffman/McLean	Genesis	M360616G307	N360616G050	PLM36N36	38.75x15.00x1.50 984x381x38
Hoffman/McLean	Genesis	M360626G306	N360626G050	PLM36N36	38.75x15.00x1.50 984x381x38
Hoffman/McLean	Genesis	M360646G400	N360646G050	PLM36N36	38.75x15.00x1.50 984x381x38
Hoffman/McLean	Genesis	M520816032	G520816G050	PLM52G52	52.56x17.03x1.50 1335x433x38
Hoffman/McLean	Genesis	M520826015	G520826G050	PLM52G52	52.56x17.03x1.50 1335x433x38
Hoffman/McLean	Genesis	M520846G002	G520846G050	PLM52G52	52.56x17.03x1.50 1335x433x38
Hoffman/McLean	Genesis	M521046G002	G521246G050	PLM52G52	52.56x17.03x1.50 1335x433x38
Hoffman/McLean	Genesis	M521216017	G521216G050	PLM52G52	52.56x17.03x1.50 1335x433x38
Hoffman/McLean	Genesis	M521226034	G521226G050	PLM52G52	52.56x17.03x1.50 1335x433x38
Hoffman/McLean	T-Series	T290416G100	G280416G050	PLT29G28	28.50x17.00x1.50 724x432x38
Hoffman/McLean	T-Series	T290416G150	G280416G150	PLT29G28	28.50x17.00x1.50 724x432x38
Hoffman/McLean	T-Series	T290426G100	G280426G050	PLT29G28	28.50x17.00x1.50 724x432x38
Hoffman/McLean	T-Series	T290426G150	G280426G150	PLT29G28	28.50x17.00x1.50 724x432x38
Hoffman/McLean	T-Series	T290446G400	G280446G050	PLT29G28	28.50x17.00x1.50 724x432x38
Hoffman/McLean	HC52	HC52 SERIES	G57XXXXXXXX	PLHC52G57	57.60x22.97x1.50 1463x583x38
Hoffman/McLean	HC52	HC52 SERIES	T53XXXXXXXX	PLHC52T53	52.85x23.00x1.50 1342x584x38
Hoffman/McLean	Proair	CR23SS	N21SS	PLCR23N21SS	23.00x10.00x1.50 548x254x38
Hoffman/McLean	Proair	CR23 (painted)	N21	PLCR23N21	23.00x10.00x1.50 548x254x38
Hoffman/McLean	SpectraCool	N17SS	N21SS	PL17N21SS	20.87x12.00x1.50 530x305x38
Hoffman/McLean	SpectraCool	N17 (painted)	N21	PL17N21	20.87x12.00x1.50 530x305x38

*Prior to ordering, ensure Adaptor Plenum dimensions do not exceed available space on the enclosure mounting surface. Please contact Customer Service for support in finding an appropriate cross for older Hoffman/McLean models not shown above.

For a list of EASY SWAP Adaptor Plenums to fit other manufacturers' air conditioners, please visit pentairprotect.com

T-SERIES COMPACT OUTDOOR


T15
800 BTU/Hr.
234 Watts



T20
2000 BTU/Hr.
586 Watts

INDUSTRY STANDARDS

UL/cUL Listed; Type 12, 3R, 4; 4X optional; File No. SA6453
UR/cUR Recognized

UR/cUR Recognized on select models, reference performance data tables.

CE
EAC
Telcordia GR-487 capable

APPLICATION

- Industrial automation
- Telecommunications equipment
- Package handling equipment
- Security and defense systems
- And more

FEATURES

- Stock models equipped with head pressure control for low-ambient operation, compressor heater, coated condenser coil, malfunction switch, thermostat and heater package
- R134A earth-friendly refrigerant
- Models for 115, 230 and 460 VAC power input
- UL Listed to save customers time and money with agency approvals (some models UL recognized)
- Outdoor model operating temperature range from -40 F/-40 C to 131 F/55 C
- Exterior and fully recessed mounting options on many models
- Compact footprint to minimize real estate and maximize capacity
- Reliable mechanical thermostat on enclosure side of the unit
- Dual condenser-side air movers for performance redundancy

- Painted galvanized sheet-metal cover for rugged factory and outdoor environments
- Easy-mount flanges for simple installation
- Cleanable, reusable aluminum mesh filter protects coils for maximum cooling performance
- Mounting hardware, gaskets and user manual furnished with the unit
- Every unit functionally tested before shipping
- Standard Outdoor Air Conditioner models also include:
 - Telcordia GR-487 capable
 - Thermostat
 - Corrosion-resistant components
 - Malfunction switch
 - Compressor heater
 - Head pressure control
 - Enclosure heater

FINISH

- RAL 7035 light-gray, semi-textured powder-coat paint
- Other colors and textures available

OPTIONS

- Thermostat Malfunction Package
 - Special Voltage Package
 - Outdoor Package
 - Harsh Environment Package*
 - Stainless Steel Package*
 - Heater Package
- * PROAIR A/C may be more appropriate. Refer to PROAIR A/C Chapter. Consult the Factory for availability and catalog number.



Performance Data T15 800 BTU/Hr. (234 Watt) Models

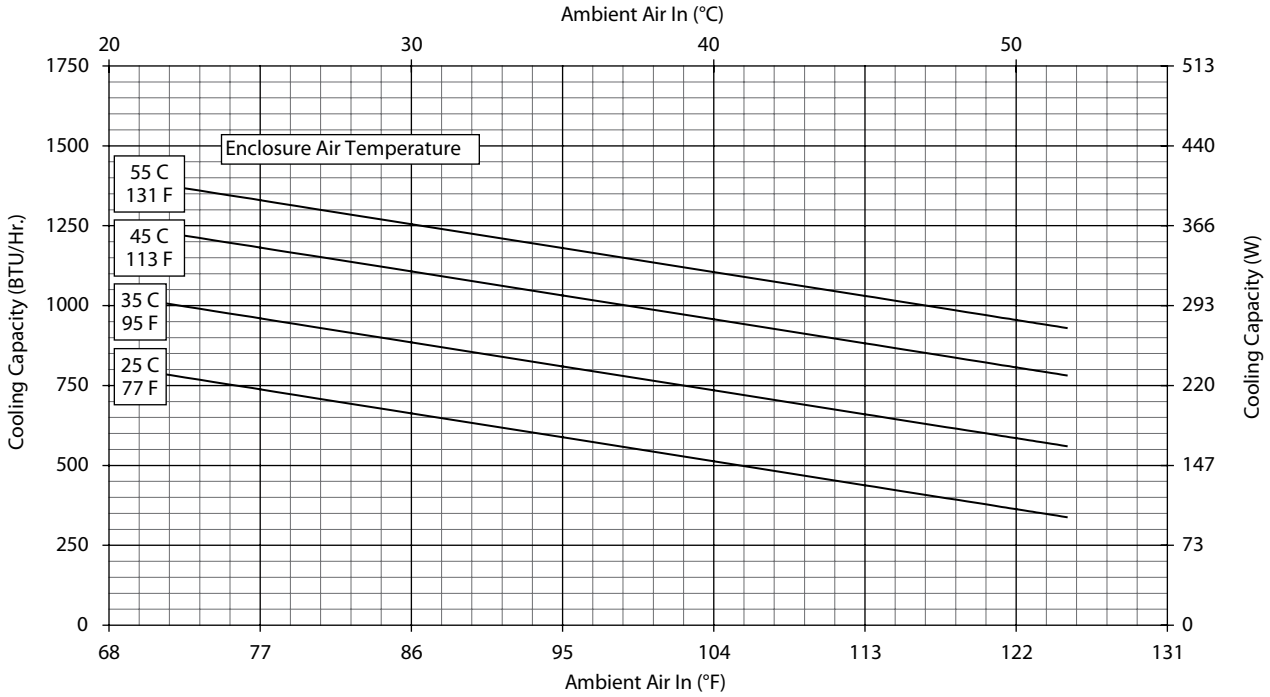
CATALOG NUMBER		
Indoor Model	T150116G120	T150126G120
Outdoor Model without Heat Pkg.	T150116G100	T150126G100
Outdoor Model with Heat Pkg.	T150116G150	T150126G150
Outdoor Model/SST/Corrosion/4X	T150116G152	T150126G104
Outdoor Model/SST/Corrosion/4X/Heater	T150116G151	-
COOLING PERFORMANCE		
Nominal:		
BTU/Hr.	800/800	800/900
Watts	235/235	235/264
At 131 F/131 F (55 C/55 C):		
BTU/Hr. (50/60 Hz)	819	920/960
W (50/60 Hz)	240	270/281
At 95 F/95 F (35 C/35 C):		
BTU/Hr. (50 /60 Hz)	948	810/955
W (50/60 Hz)	278	237/280
Refrigerant	R-134A	R-134A
Refrigerant Charge (ounces/grams)	4/113	3.8/107
Operating Temperature Range:		
Maximum (°F/°C)	131/55	125/131/52/55
Minimum (°F/°C)	-40/-40	-40/-40
Airflow at 0 Static Pressure:		
Internal loop 50 Hz (CFM / m ³ /hr.)	25/42	25/42
External loop 50 Hz (CFM / m ³ /hr.)	48/82	48/82
Internal loop 60 Hz (CFM / m ³ /hr.)	30/51	30/51
External loop 60 Hz (CFM / m ³ /hr.)	53/90	53/90
Max. Heater W (Outdoor Models)	150	150
ELECTRICAL DATA		
Rated Voltage	100/115	220/230
Frequency (Hz)	50/60	50/60
Operating Range	+/- 10%	+/- 10%
Max. Power Consumption (W at 50/60 Hz)	360/403	330/345
Max. Nominal Current (A at 50/60 Hz)	3.6/3.5	1.5/1.5
Starting Current (A)	8.0/9.2	3.3/3.1
Agency Approvals	UL/cUL Listed CE EAC Others available upon request	
Power Input Description	6-ft. cord with NEMA 5-15 plug	6-ft. cord with NEMA 6-15 plug
ENCLOSURE PROTECTION		
UL Type	Type 12, 3R, 4 standard Type 4X Stainless steel optional	
CONTROLLER		
Description	Basic mechanical thermostat	
Thermostat Location	Enclosure behind front panel	
Factory Thermostat Setting (°F/°C)	80/27	
SOUND LEVEL		
At 1.5 Meters	63 dB(A)	
UNIT CONSTRUCTION		
Material	Galvanized sheet metal standard Stainless steel optional	
Finish	RAL 7035 light-gray, semi-textured powder-coat paint standard	
UNIT DIMENSIONS		
Height (in./mm)	15.75/400	
Width (in./mm)	7.5/191	
Depth (in./mm)	6.3/160	
Weight (lb./kg)	27/12	



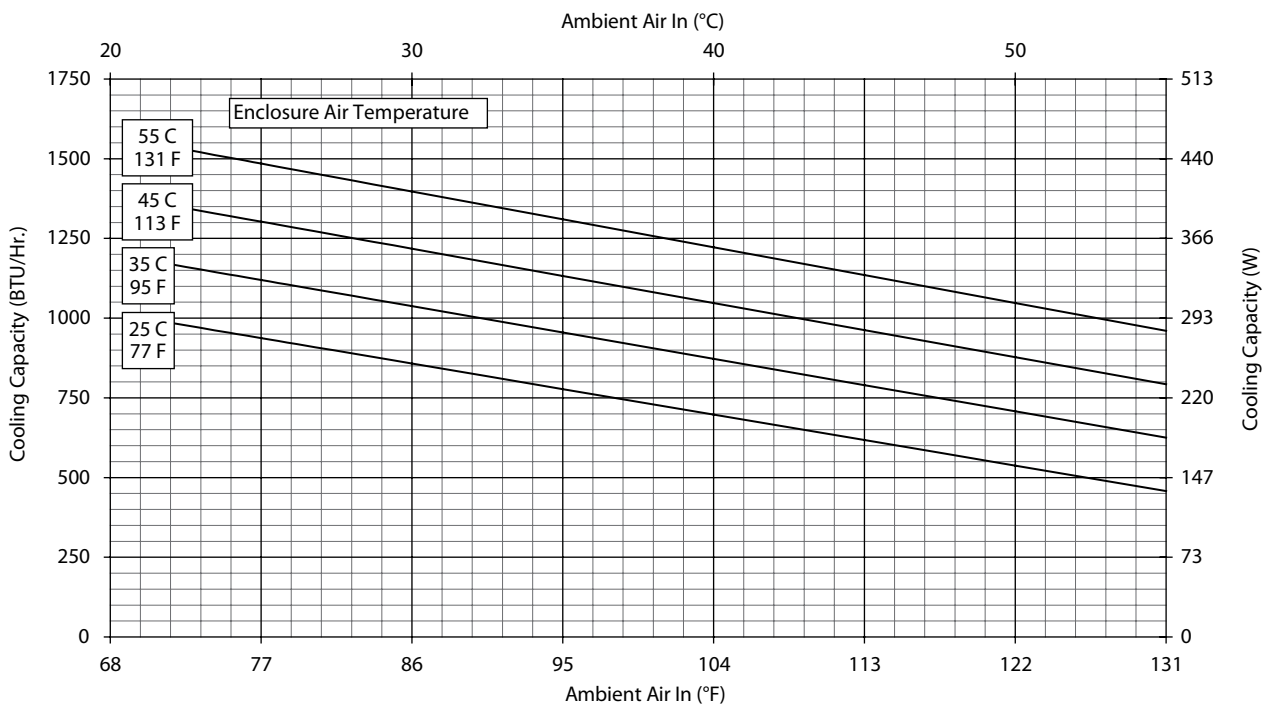
Performance Curves for T15 Models 800 BTU/Hr. (234 Watt)



T15-01x6-Gxxx Capacity Curves 50 Hz



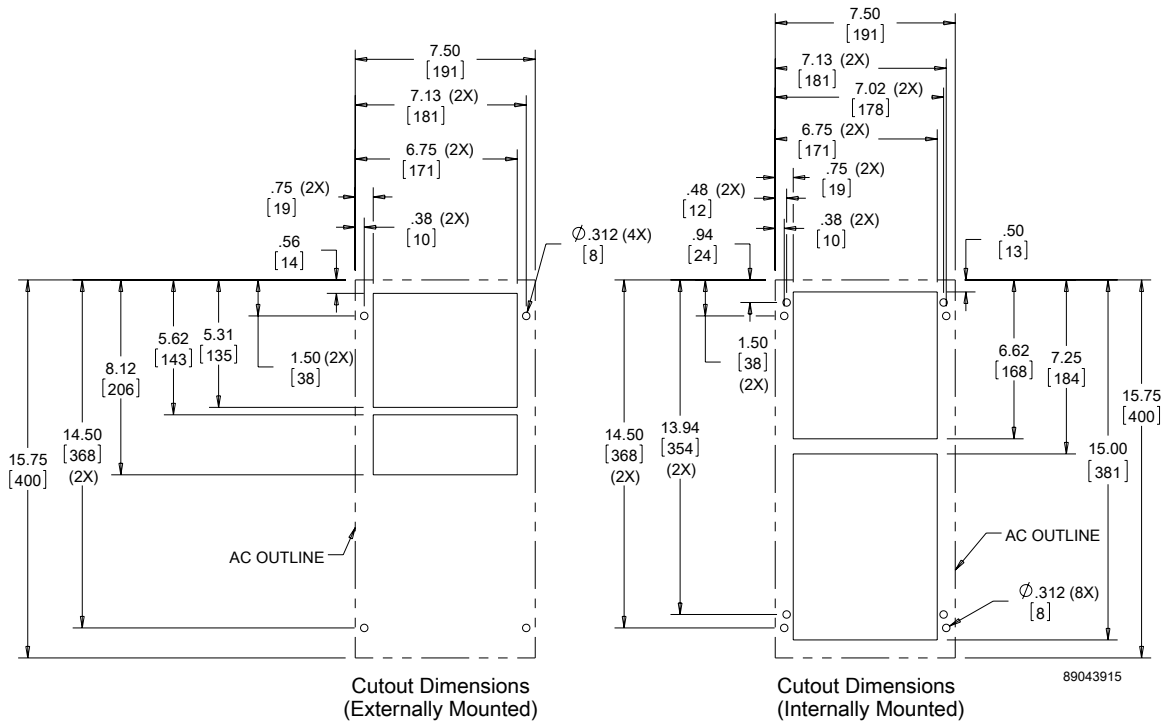
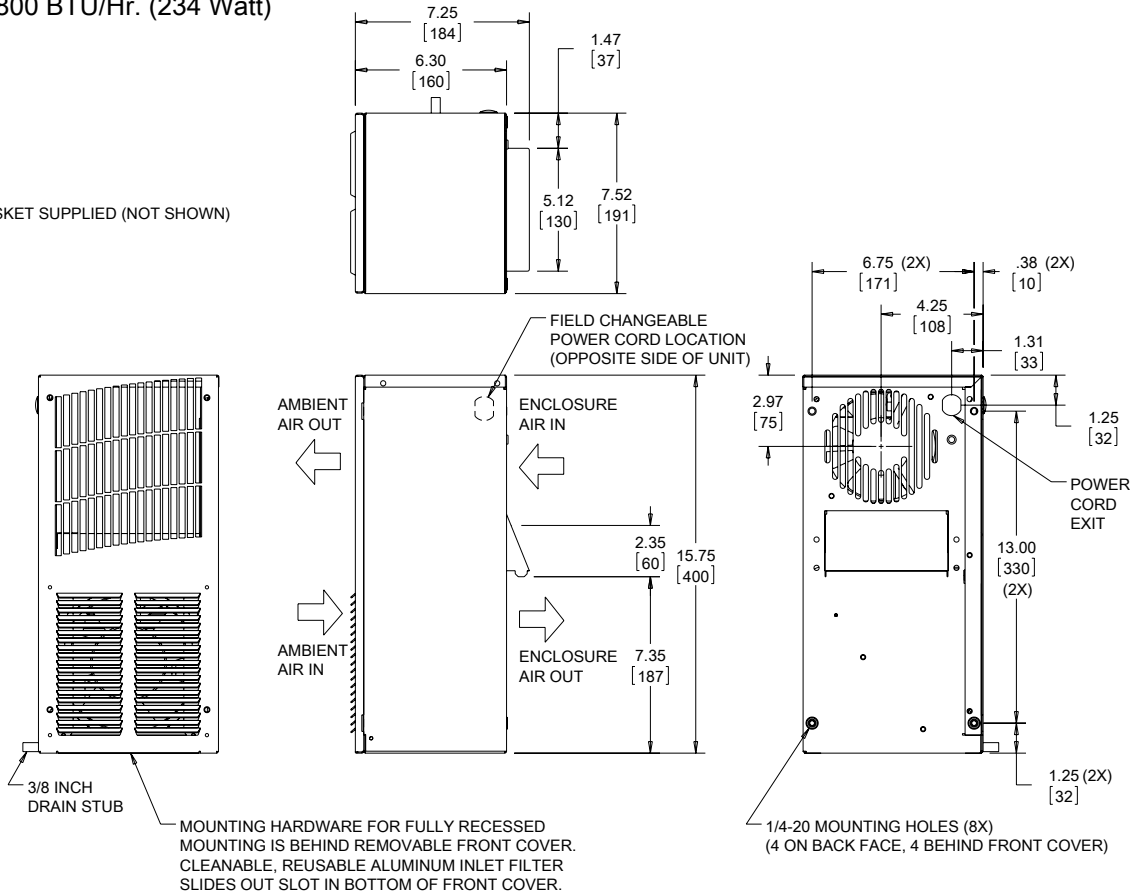
T15-01x6-Gxxx Capacity Curves 60 Hz



T15 Models 800 BTU/Hr. (234 Watt)



NOTE:
 1. MOUNTING GASKET SUPPLIED (NOT SHOWN)
 2. UNITS: in. [mm]



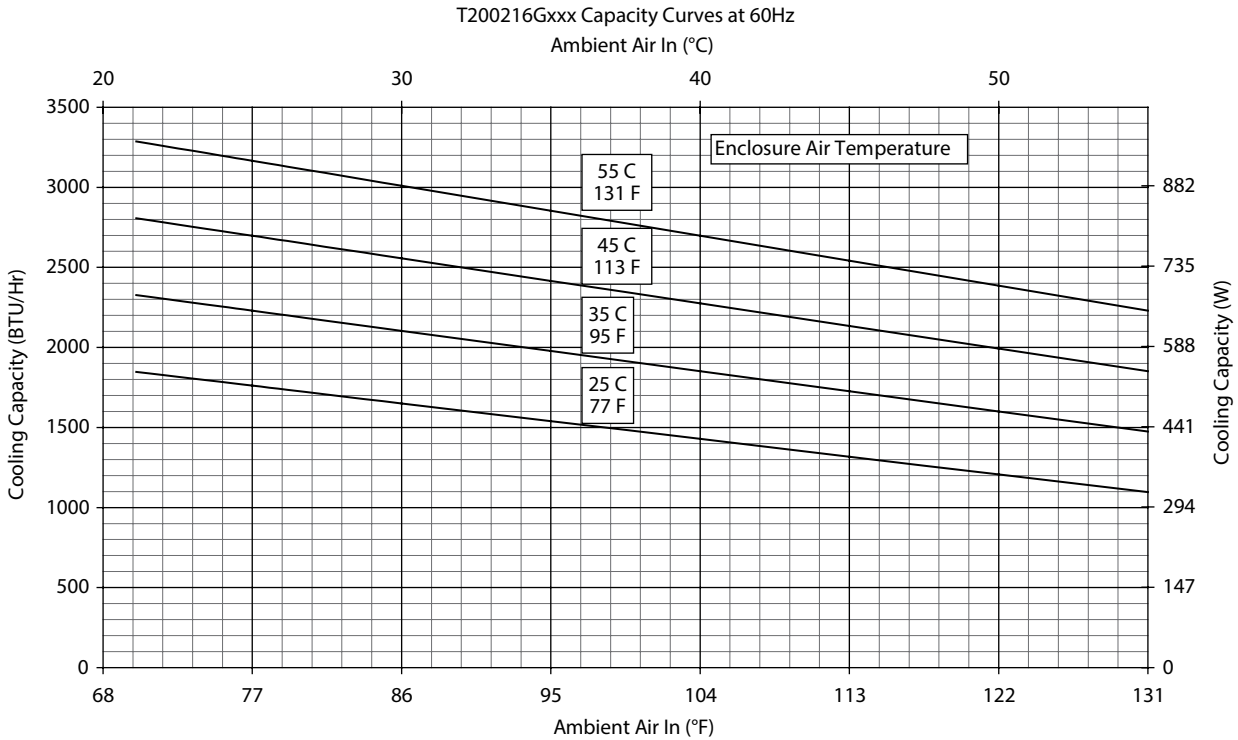
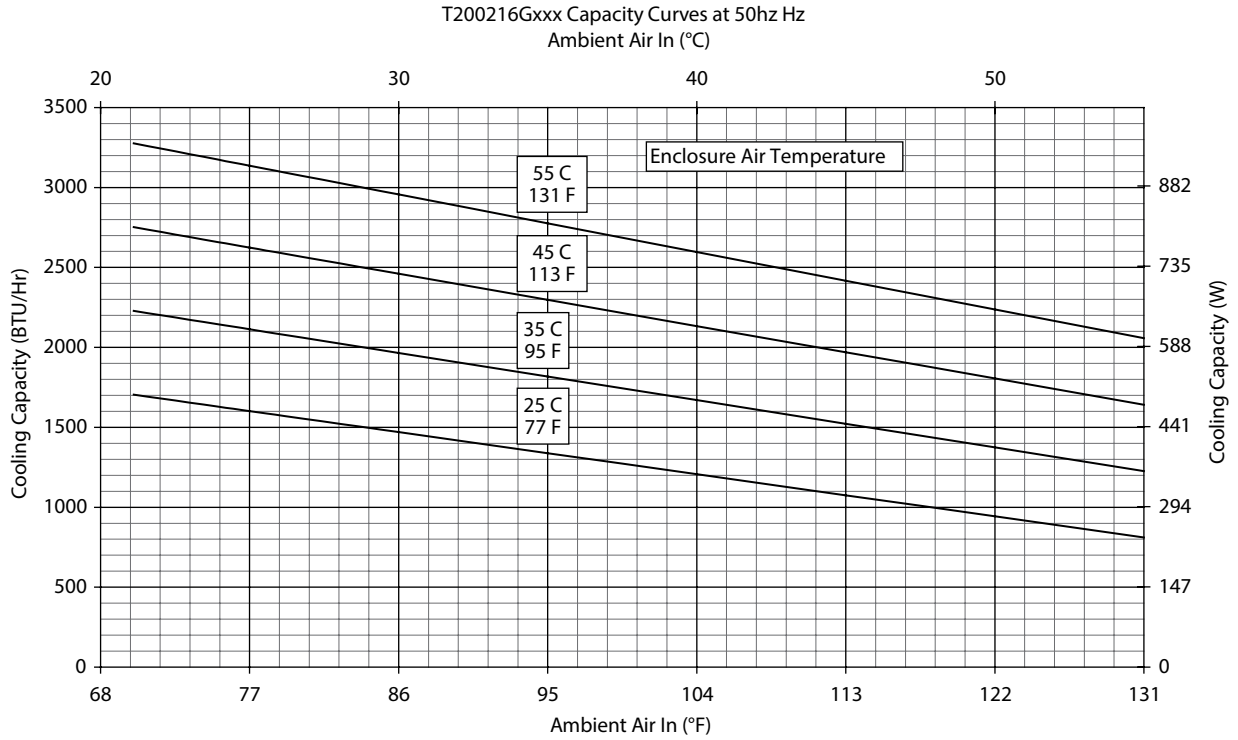
Visit nVent.com/HOFFMAN to download 2D and 3D CAD drawings into the overall design of your electrical system.

Performance Data T20 2000 BTU/Hr. (586 Watt) Models



CATALOG NUMBER			
Outdoor Model without Heat Pkg.	T200216G100	T200226G100	T200246G400
Outdoor Model with Heat Pkg.	T200216G150	T200226G150	—
Outdoor Model/SST/Corrosion/4X	T200216G155	T200226G103	T200246G401
Outdoor Model/SST/Corrosion/4X/Heater	T200216G157	T200226G158	—
COOLING PERFORMANCE			
Nominal:			
BTU/Hr.	1800/2000	1800/2000	1800/2000
Watts	528/586	528/586	528/586
At 131 F/131 F (55 C/55 C):			
BTU/Hr. (50/60 Hz)	2000/2175	2000/2175	2000/2175
W (50/60 Hz)	586/637	586/637	586/637
At 95 F/95 F (35 C/35 C):			
BTU/Hr. (50/60 Hz)	1950/2200	1950/2200	1950/2200
W (50/60 Hz)	571/645	571/645	571/645
Refrigerant	R-134A	R-134A	R-134A
Refrigerant Charge (ounces/grams)	6.5/184	6.5/184	6.5/184
Operating Temperature Range:			
Maximum (°F/°C)	131/55	131/55	131/55
Minimum (°F/°C)	-40/-40	-40/-40	-40/-40
Airflow at 0 Static Pressure:			
Internal loop 50 Hz (CFM / m ³ /hr.)	77/131	77/131	77/131
External loop 50 Hz (CFM / m ³ /hr.)	150/255	150/255	150/255
Internal loop 60 Hz (CFM / m ³ /hr.)	91/155	91/155	91/155
External loop 60 Hz (CFM / m ³ /hr.)	165/280	165/280	165/280
Max. Heater W (Outdoor Models)	500	500	500
ELECTRICAL DATA			
Rated Voltage	115	230	460V 1PH
Frequency (Hz)	50/60	50/60	50/60
Operating Range	+/- 10%	+/- 10%	+/- 10%
Max. Power Consumption (W at 50/60 Hz)	700/805	805	874
Max. Nominal Current (A at 50/60 Hz)	7.0/7.0	3.5/3.5	1.9
Starting Current (A)	19	7.6	7.2
Agency Approvals	UL/cUL Listed CE EAC		cUR Recognized CE EAC
Others available upon request			
Power Input Description	6-ft. cord with NEMA 5-15 plug	6-ft. cord with NEMA 6-15 plug	6-ft. cord with wire leads
ENCLOSURE PROTECTION			
UL Type	Type 12, 3R, 4 standard Type 4X Stainless steel optional		
CONTROLLER			
Description	Basic mechanical thermostat		
Thermostat Location	Enclosure side on all base models		
Factory Thermostat Setting (°F/°C)	80/27		
SOUND LEVEL			
At 1.5 Meters	66 dB(A)		
UNIT CONSTRUCTION			
Material	Galvanized sheet metal standard Stainless steel optional		
Finish	RAL 7035 light-gray, semi-textured powder-coat paint standard		
UNIT DIMENSIONS			
Height (in./mm)	20/508	20/508	24.25/615.95
Width (in./mm)	10/254	10/254	10/254
Depth (in./mm)	9.9/251	9.9/251	9.9/251
Weight (lb./kg)	56/25	56/25	66/30

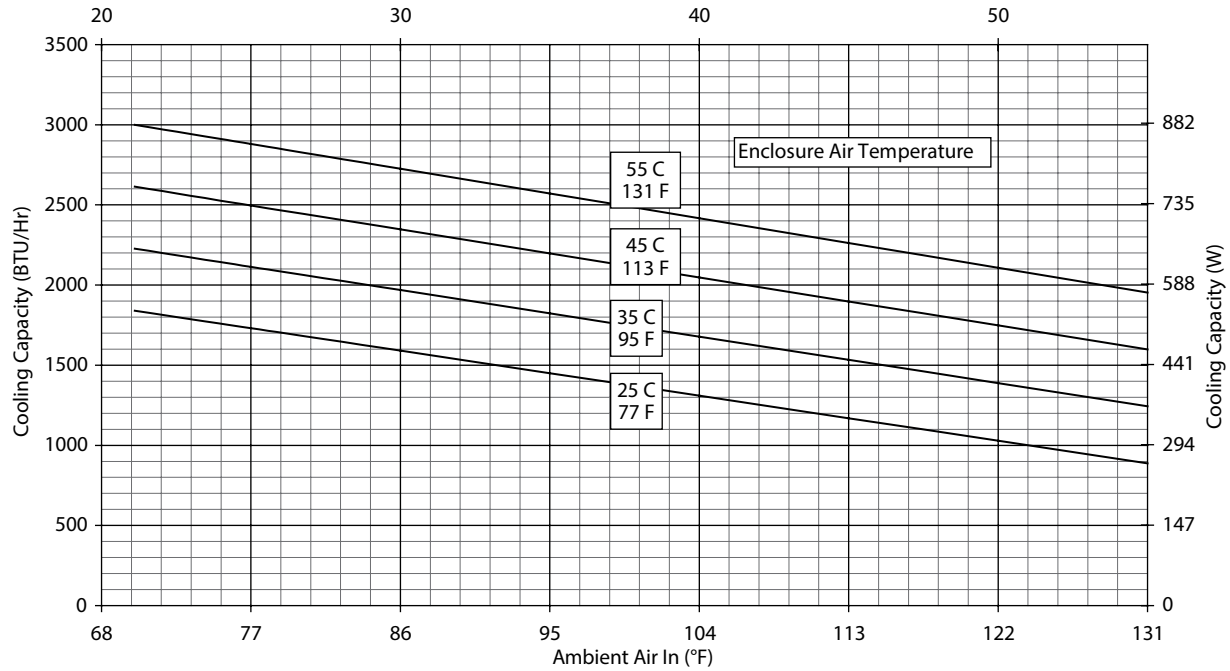
Performance Curves for T20 Models 2000 BTU/Hr. (586 Watt)



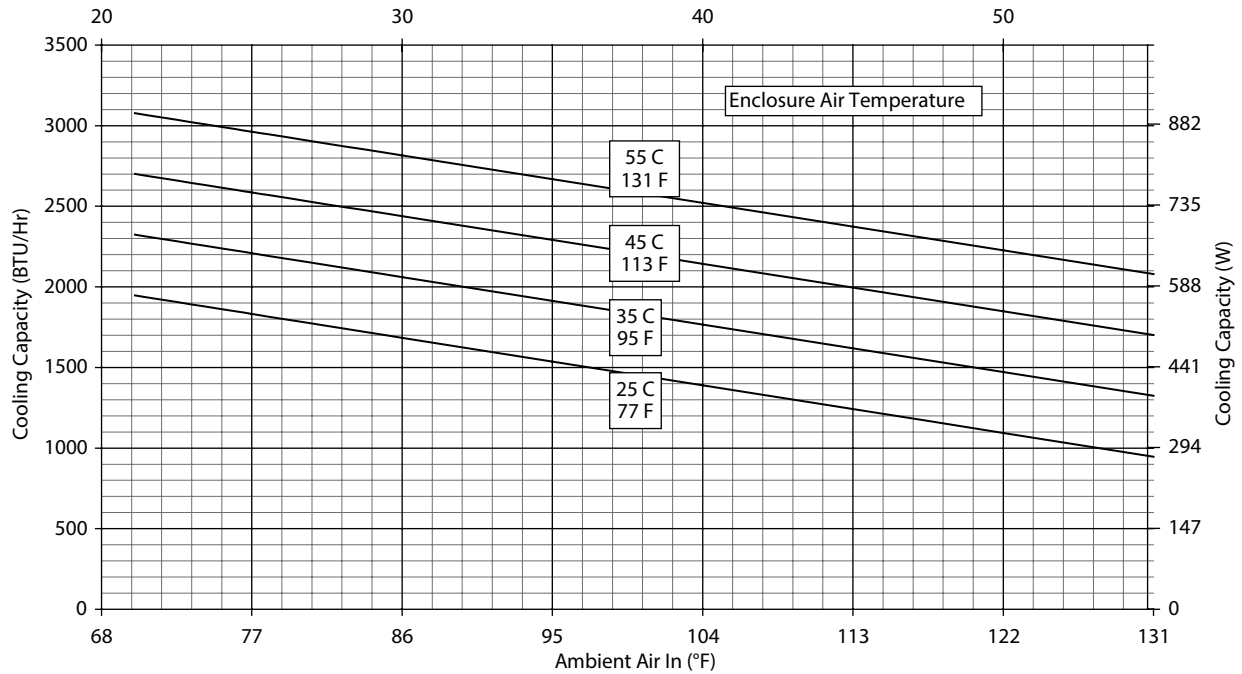
Performance Curves for T20 Models 2000 BTU/Hr. (586 Watt)



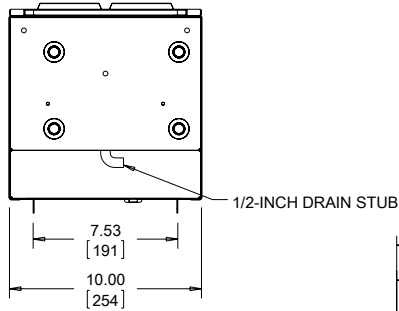
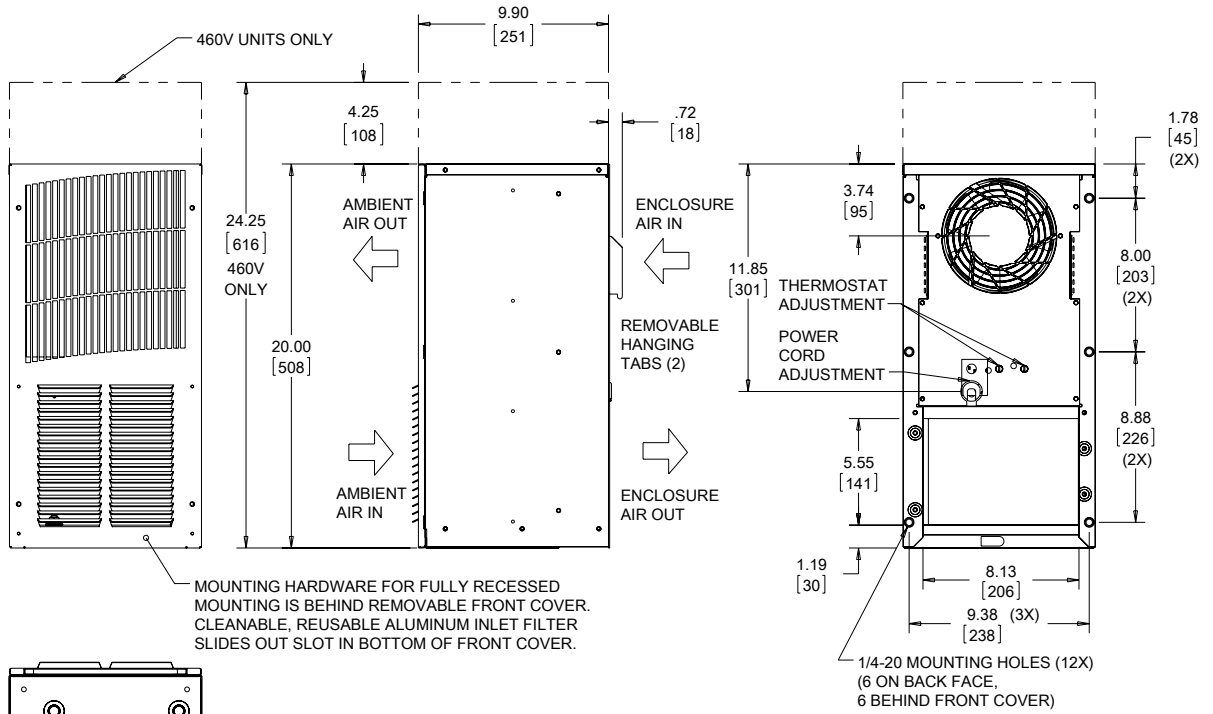
T200226Gxxx Capacity Curves at 50 Hz
Ambient Air In (°C)



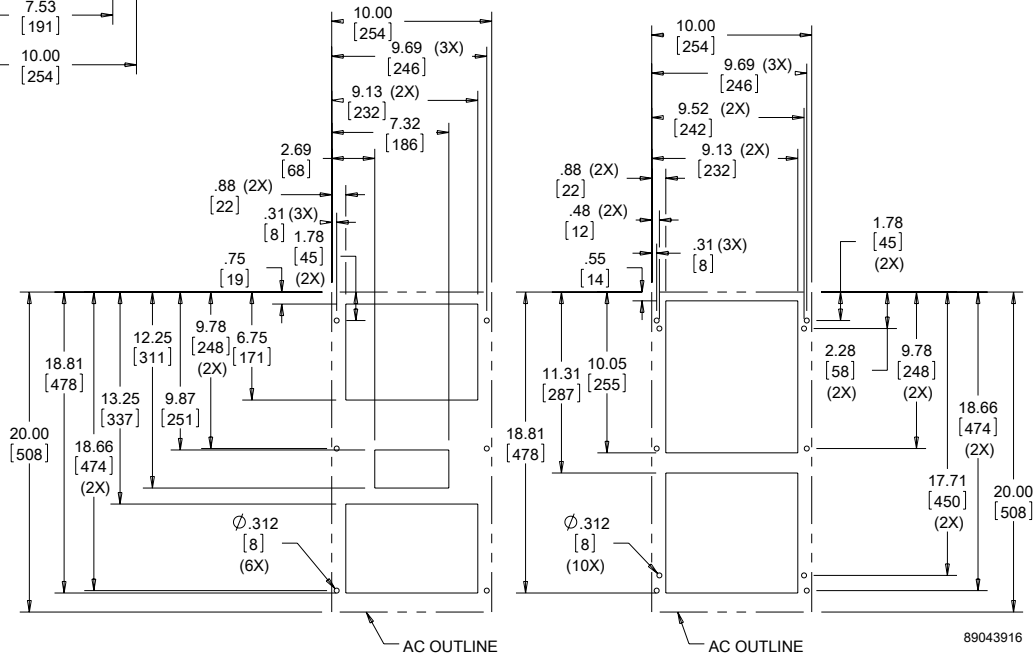
T200226Gxxx Capacity Curves at 60 Hz
Ambient Air In (°C)



T20 Models 2000 BTU/Hr. (586 Watt)



NOTE:
1. MOUNTING GASKET SUPPLIED (NOT SHOWN)
2. UNITS: in. [mm]



Cutout Dimensions (Externally Mounted)

Cutout Dimensions (Internally Mounted)

Visit nVent.com/HOFFMAN to download 2D and 3D CAD drawings into the overall design of your electrical system.

T-SERIES MID-SIZE OUTDOOR

T29

 4000 BTU/Hr.
1173 Watts

T43

 6000, 8000, 10000 BTU/Hr.
1758, 2344, 2930 Watts

T50

 12000 BTU/Hr.
3516 Watts

T53

 19000 BTU/Hr.
5567 Watts

INDUSTRY STANDARDS

 UL/cUL Listed; Type 12, 3R, 4; 4X optional; File No. SA6453
UR/cUR Recognized

UR/cUR Recognized on select models, reference performance data tables.

CE

EAC

Telcordia GR-487 capable

APPLICATION

- Industrial automation
- Telecommunications equipment
- Package handling equipment
- Security and defense systems
- And more

FEATURES

- Stock models equipped with head pressure control for low-ambient operation, compressor heater, coated condenser coil, malfunction switch, thermostat and heater package
- R134A or R-407C earth-friendly refrigerant
- Models for 115, 230 and 460 VAC power input
- UL Listed to save customers time and money with agency approvals (some models UL recognized)
- Outdoor model operating temperature range from -40 F/-40 C to 131 F/55 C
- Exterior and fully recessed mounting options on many models
- Compact footprint to minimize real estate and maximize capacity
- Reliable mechanical thermostat on enclosure side of the unit
- Dual condenser-side air movers for performance redundancy

- Painted galvanized sheet-metal cover for rugged factory and outdoor environments
- Easy-mount flanges for simple installation
- Cleanable, reusable aluminum mesh filter protects coils for maximum cooling performance
- Mounting hardware, gaskets and user manual furnished with the unit
- Every unit functionally tested before shipping
- Standard Outdoor Air Conditioner models also include:
 - Telcordia GR-487 capable
 - Thermostat
 - Corrosion-resistant components
 - Malfunction switch
 - Compressor heater
 - Head pressure control
 - Enclosure heater

FINISH

- RAL 7035 light-gray, semi-textured powder-coat paint
- Other colors and textures available

OPTIONS

- Thermostat Malfunction Package
- Special Voltage Package
- Outdoor Package
- Harsh Environment Package*
- Stainless Steel Package*
- Heater Package
 - * PROAIR Harsh Environment air conditioner may be more appropriate. Refer to PROAIR Harsh Environment air conditioner catalog section. Consult the Factory for availability and catalog number.



Performance Data T29 4000 BTU/Hr. (1173 Watt) Models

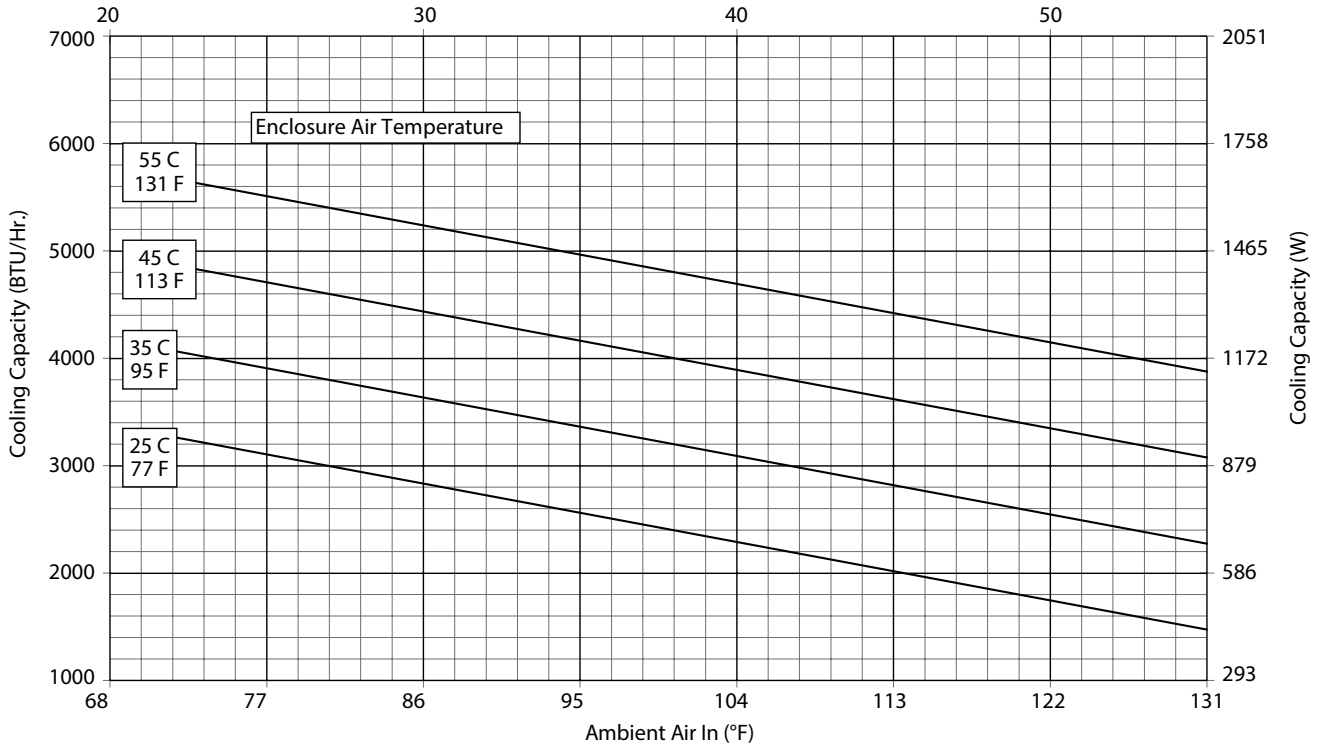
CATALOG NUMBER			
Outdoor Model without Heat Pkg.	T290416G100	T290426G100	T290446G400
Outdoor Model with Heat Pkg.	T290416G150	T290426G150	—
Outdoor Model/SST/Corrosion/4X	T290416G159	T290426G161	—
Outdoor Model/SST/Corrosion/4X/Heater	T290416G156	T290426G160	T290446G403
COOLING PERFORMANCE			
Nominal:			
BTU/Hr.	3600/4000	3600/4000	3600/4000
Watts	1055/1172	1055/1172	1055/1172
At 131 F/131 F (55 C/55 C):			
BTU/Hr. (50/60 Hz)	3950/4250	3950/4250	3950/4250
W (50/60 Hz)	1157/1245	1157/1245	1157/1245
At 95 F/95 F (35 C/35 C):			
BTU/Hr. (50 /60 Hz)	3500/3900	3500/3900	3500/3900
W (50/60 Hz)	1025/1143	1025/1143	1025/1143
Refrigerant	R-134A	R-134A	R-134A
Refrigerant Charge (ounces/grams)	12.5/354	14.3/404	14.3/404
Operating Temperature Range:			
Maximum (°F/°C)	131/55	131/55	131/55
Minimum (°F/°C)	-40/-40	-40/-40	-40/-40
Airflow at 0 Static Pressure:			
Internal loop 50 Hz (CFM / m ³ /hr.)	172/292	172/292	172/292
External loop 50 Hz (CFM / m ³ /hr.)	195/331	195/331	195/331
Internal loop 60 Hz (CFM / m ³ /hr.)	205/348	205/348	205/348
External loop 60 Hz (CFM / m ³ /hr.)	235/399	235/399	235/399
Max. Heater W (Outdoor Models)	1000	1000	
ELECTRICAL DATA			
Rated Voltage	115	230	460V 1PH
Frequency (Hz)	50/60	50/60	50/60
Operating Range	+/- 10%	+/- 10%	+/- 10%
Max. Power Consumption (W at 50/60 Hz)	1163/1222	1587/1564	1748
Max. Nominal Current (A at 50/60 Hz)	13.8/12.8	6.9/6.8	3.8
Starting Current ()	48	23	12
Agency Approvals	UL/cUL Listed CE EAC Others available upon request		cUR Recognized CE EAC
Power Input Description	6-ft. cord with NEMA 5-20 plug	6-ft. cord with NEMA 6-15 plug	6-ft. cord with wire leads
ENCLOSURE PROTECTION			
UL Type	Type 12, 3R, 4 standard Type 4X Stainless steel optional		
CONTROLLER			
Description	Basic mechanical thermostat		
Thermostat Location	Enclosure side on all base models		
Factory Thermostat Setting (°F/°C)	80/27		
SOUND LEVEL			
At 1.5 Meters	67 dB(A)		
UNIT CONSTRUCTION			
Material	Galvanized sheet metal standard Stainless steel optional		
Finish	RAL 7035 light-gray, semi-textured powder-coat paint standard		
UNIT DIMENSIONS			
Height (in./mm)	29/737		29/737
Width (in./mm)	17/432		17/432
Depth (in./mm)	11.3/287		11.3/287
Weight (lb./kg)	107/48.6		127/58



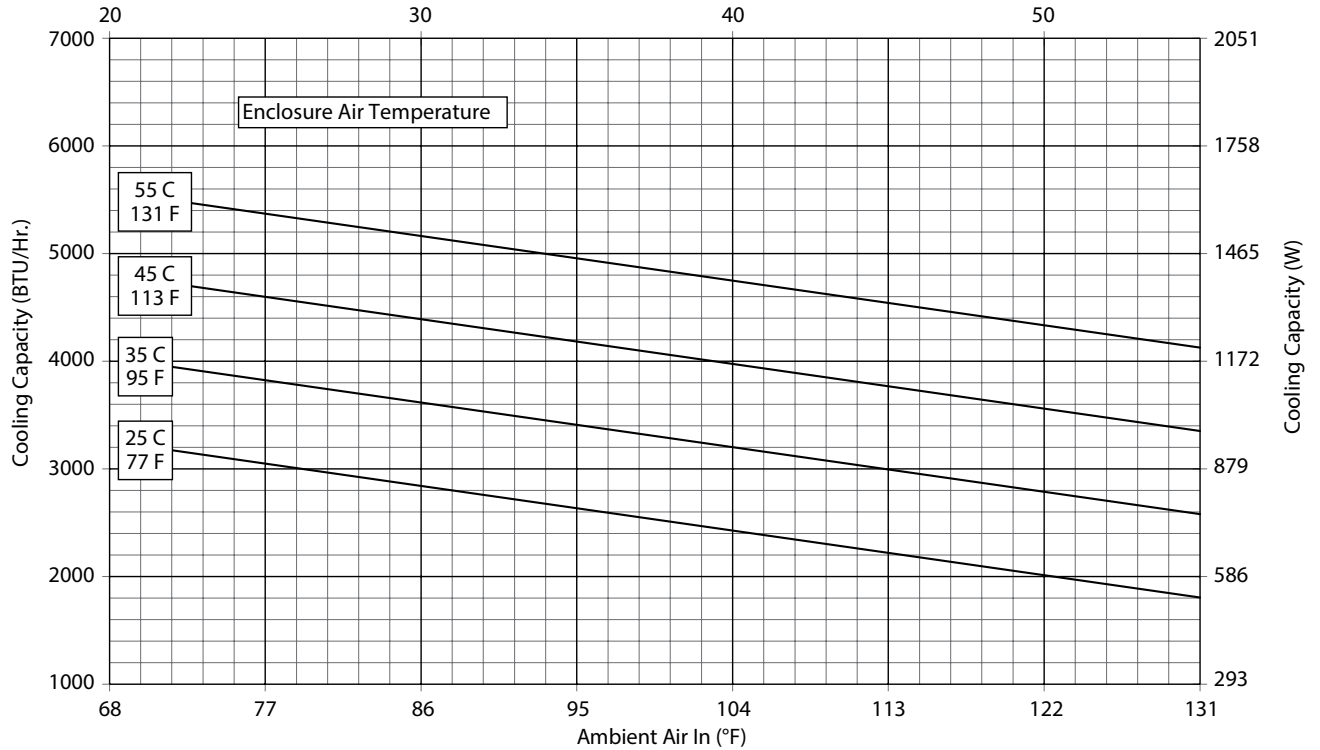
Performance Curves for T29 Models 4000 BTU/Hr. (1173 Watt)



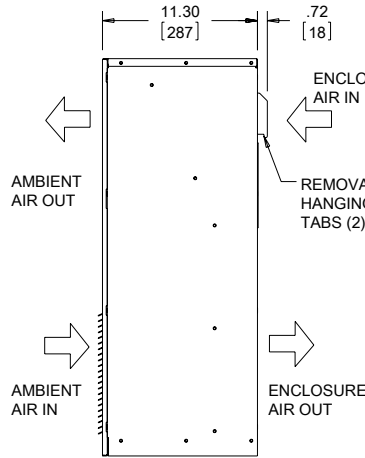
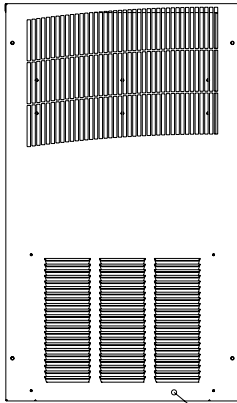
T29-04x6-Gxxx Capacity Curves 50 Hz
Ambient Air In (°C)



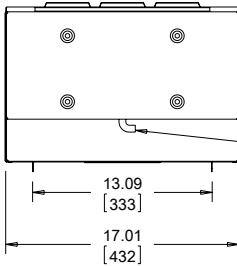
T29-04x6-Gxx Capacity Curves 60 Hz
Ambient Air In (°C)



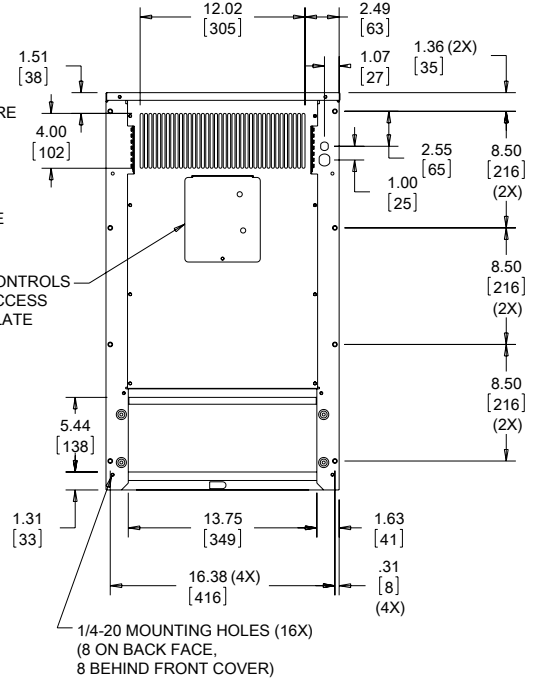
T29 Models 4000 BTU/Hr. (1173 Watt)



MOUNTING HARDWARE FOR FULLY RECESSED MOUNTING IS BEHIND REMOVABLE FRONT COVER. CLEANABLE, REUSABLE ALUMINUM INLET FILTER SLIDES OUT SLOT IN BOTTOM OF FRONT COVER.

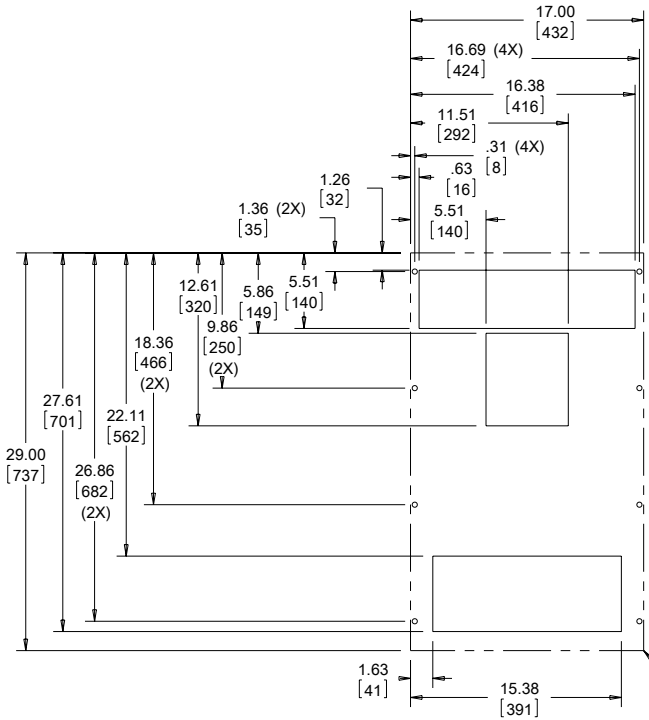


DRAIN STUB

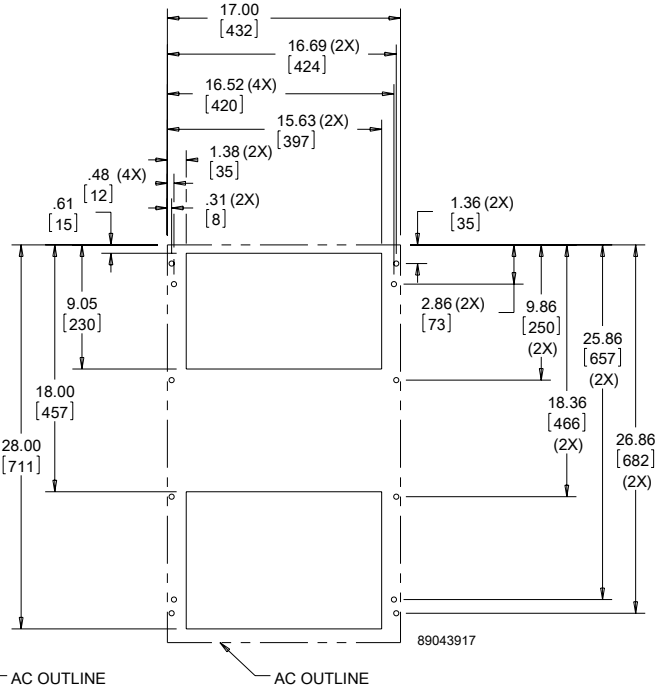


1/4-20 MOUNTING HOLES (16X)
(8 ON BACK FACE, 8 BEHIND FRONT COVER)

NOTE:
1. MOUNTING GASKET SUPPLIED (NOT SHOWN)
2. UNITS: in. [mm]



Cutout Dimensions (Externally Mounted)



Cutout Dimensions (Internally Mounted)

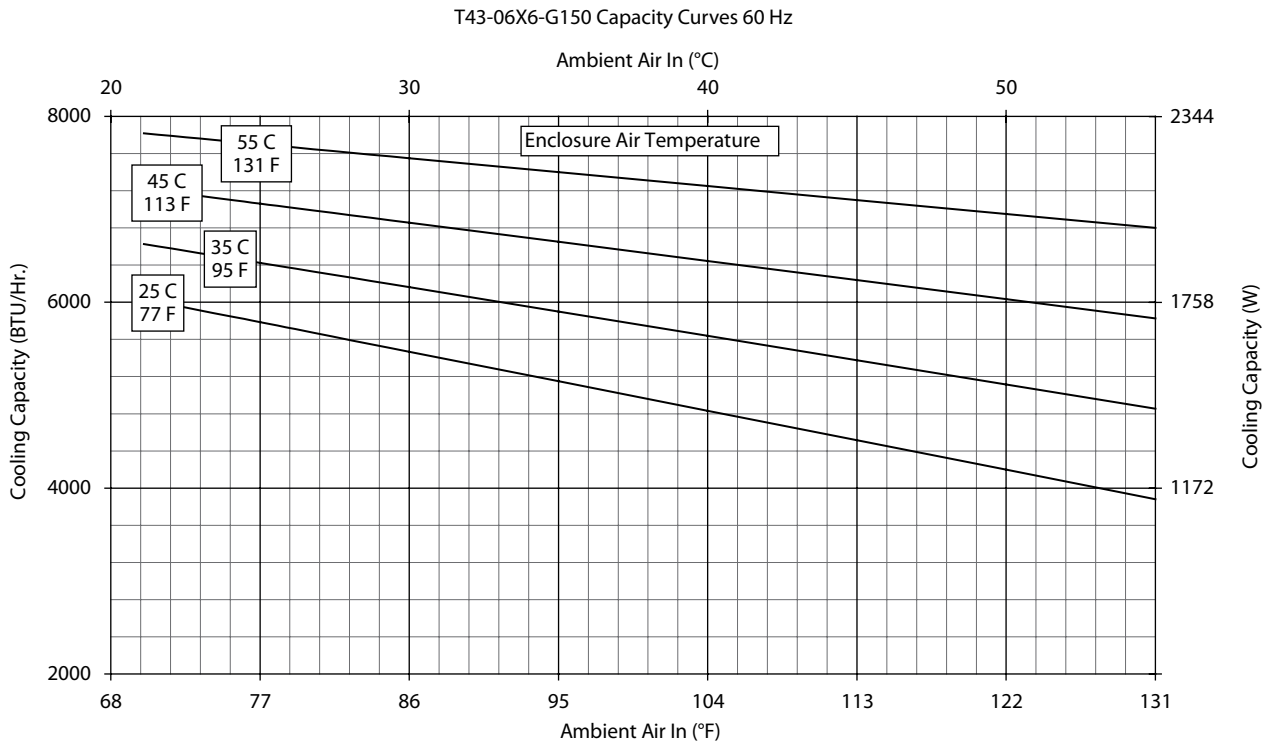
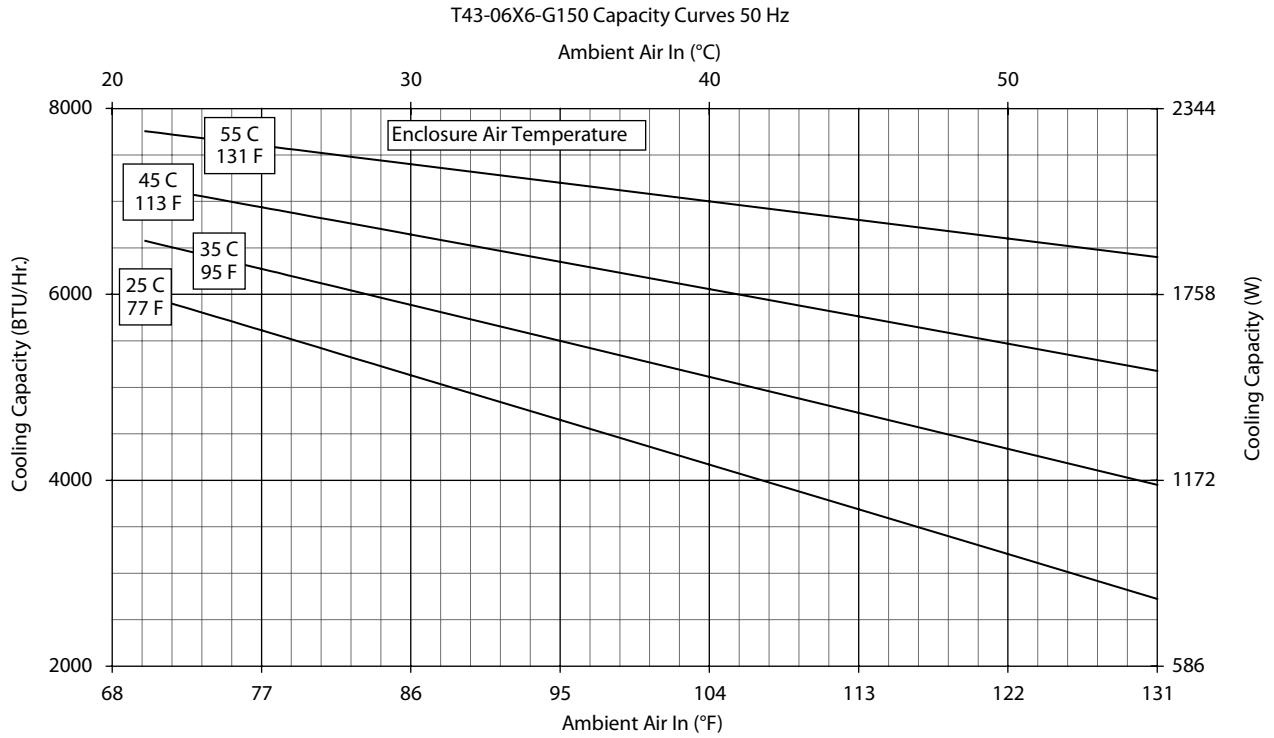
Visit nVent.com/HOFFMAN to download 2D and 3D CAD drawings into the overall design of your electrical system.

Performance Data T43 6000 BTU/Hr. (1758 Watt) Models



CATALOG NUMBER			
Outdoor Model without Heat Pkg.	T430616G100	T430626G100	T430646G400
Outdoor Model with Heat Pkg.	T430616G150	T430626G150	T430626G153
Outdoor Model/SST/Corrosion/4X	T430616G102	T430626G159	—
Outdoor Model/SST/Corrosion/4X/Heater	—	—	—
COOLING PERFORMANCE			
Nominal:			
BTU/Hr.	6310/6680	6520/6770	6520/6770
Watts	1848/1958	1910/1985	1910/1985
At 131 F/131 F (55 C/55 C):			
BTU/Hr. (50/60 Hz)	6400/6680	6520/6774	6520/6774
W (50/60 Hz)	1875/1957	1910/1985	1910/1985
At 95 F/95 F (35 C/35 C):			
BTU/Hr. (50 /60 Hz)	5500/5900	5461/5846	5461/5846
W (50/60 Hz)	1611/1729	1600/1713	1600/1713
Refrigerant	R-134A	R-134A	R-134A
Refrigerant Charge (ounces/grams)	30/850	30/850	30/850
Operating Temperature Range:			
Maximum (°F/°C)	131/55	131/55	131/55
Minimum (°F/°C)	-40/-40	-40/-40	-40/-40
Airflow at 0 Static Pressure:			
Internal loop 50 Hz (CFM / m ³ /hr.)	310/527	310/527	310/527
External loop 50 Hz (CFM / m ³ /hr.)	345/586	345/586	345/586
Internal loop 60 Hz (CFM / m ³ /hr.)	320/544	320/544	320/544
External loop 60 Hz (CFM / m ³ /hr.)	355/603	355/603	355/603
Max. Heater W (Outdoor Models)	1000	1000	N/A
ELECTRICAL DATA			
Rated Voltage	115	230	460V 1PH
Frequency (Hz)	50/60	50/60	50/60
Operating Range	+/- 10%	+/- 10%	+/- 10%
Max. Power Consumption (W at 50/60 Hz)	1058/989	1012/874	1104/966
Max. Nominal Current (A at 50/60 Hz)	9.2/8.6	4.4/3.8	2.4/2.1
Starting Current (A)	57.2	27	14
Agency Approvals	UL/cUL Listed CE EAC Others available upon request		cUR Recognized CE EAC
Power Input Description	6-ft. cord with NEMA 5-20 plug	6-ft. cord with NEMA 6-15 plug	6-ft. cord with wire leads
ENCLOSURE PROTECTION			
UL Type	Type 12, 3R, 4 standard Type 4X Stainless steel optional		
International Rating	IP56 on the internal loop; IP34 on the external loop		
CONTROLLER			
Description	Basic mechanical thermostat		
Thermostat Location	Enclosure side on all base models		
Factory Thermostat Setting (°F/°C)	80/27		
SOUND LEVEL			
At 1.5 Meters	65.7 dB(A)		
UNIT CONSTRUCTION			
Material	Galvanized sheet metal standard Stainless steel optional		
Finish	RAL 7035 light-gray, semi-textured powder-coat paint standard		
UNIT DIMENSIONS			
Height (in./mm)	43/1092		
Width (in./mm)	15.75/400		
Depth (in./mm)	10.9/279		
Weight (lb./kg)	125/57		

Performance Curves for T43 Models 6000 BTU/Hr. (1758 Watt)

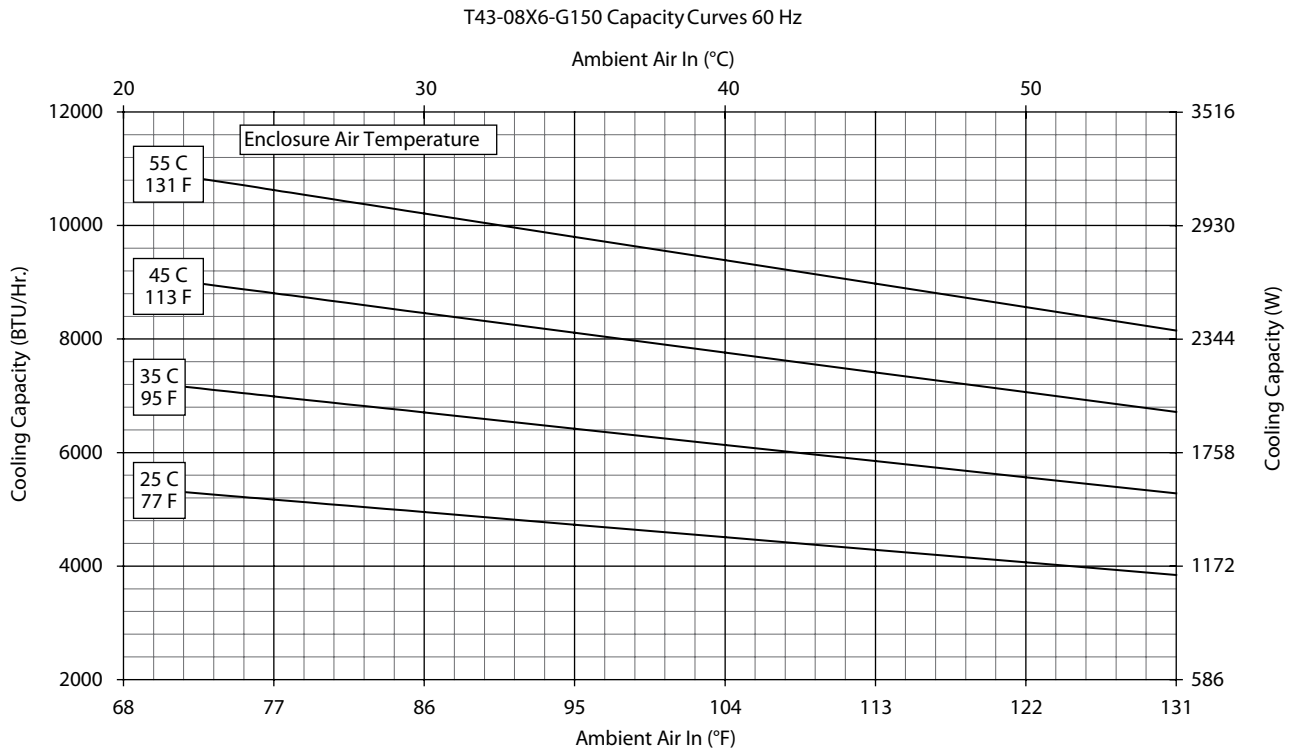
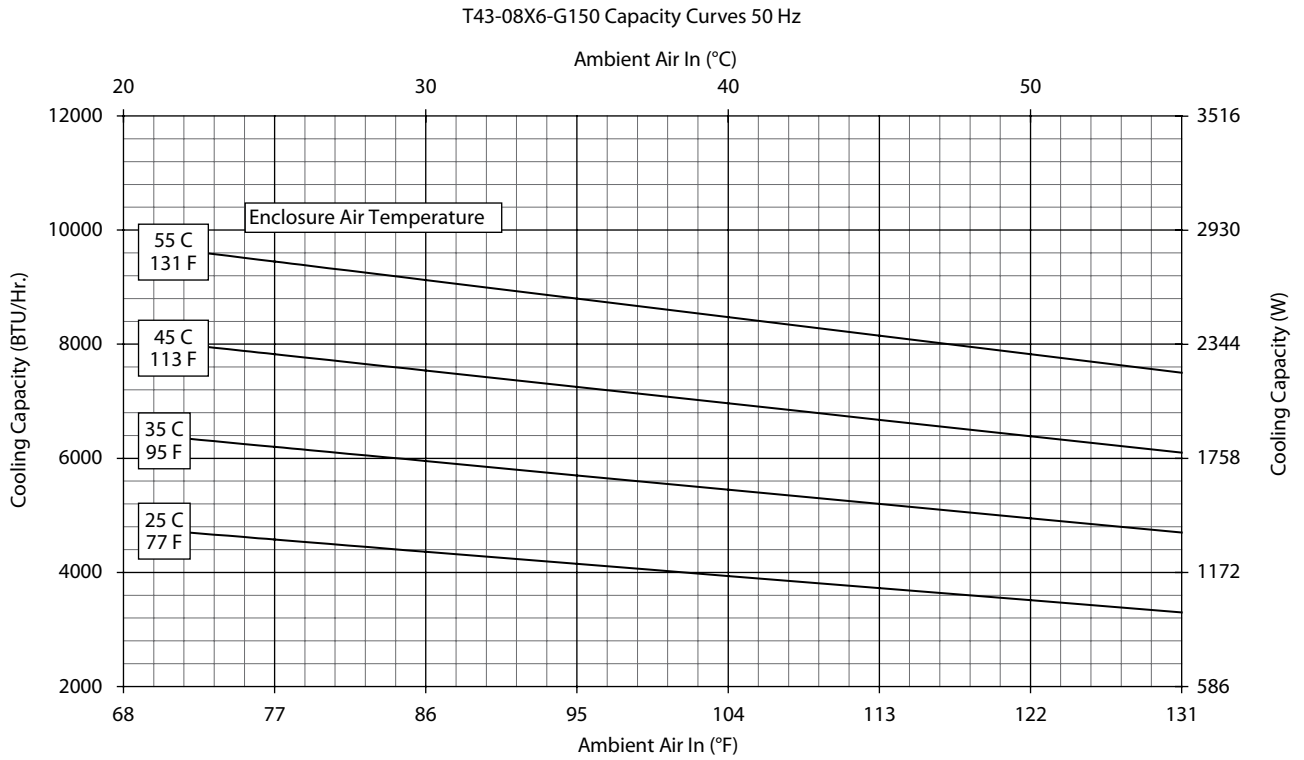


Performance Data T43 8000 BTU/Hr. (2344 Watt) Models



CATALOG NUMBER			
Outdoor Model without Heat Pkg.	T430816G100	T430826G100	T430846G400
Outdoor Model with Heat Pkg.	T430816G150	T430826G150	T430846G403
Outdoor Model/SST/Corrosion/4X	T430816G153	T430826G108	T430846G402
Outdoor Model/SST/Corrosion/4X/Heater	—	—	—
COOLING PERFORMANCE			
Nominal:			
BTU/Hr.	7900/8600	7400/8200	7400/8200
Watts	2310/2500	2160/2400	2160/2400
At 131 F/131 F (55 C/55 C):			
BTU/Hr. (50/60 Hz)	7937/8629	7484/8215	7484/8215
W (50/60 Hz)	2326/2528	2193/2407	2193/2407
At 95 F/95 F (35 C/35 C):			
BTU/Hr. (50 /60 Hz)	6401/7100	5940/6705	5940/6705
W (50/60 Hz)	1875/2080	1740/1965	1740/1965
Refrigerant	R-134A	R-134A	R-134A
Refrigerant Charge (ounces/grams)	36/1022	36/1022	36/1022
Operating Temperature Range:			
Maximum (°F/°C)	131/55	131/55	131/55
Minimum (°F/°C)	-40/-40	-40/-40	-40/-40
Airflow at 0 Static Pressure:			
Internal loop 50 Hz (CFM / m ³ /hr.)	273/464	273/464	273/464
External loop 50 Hz (CFM / m ³ /hr.)	310/527	310/527	310/527
Internal loop 60 Hz (CFM / m ³ /hr.)	290/493	290/493	290/493
External loop 60 Hz (CFM / m ³ /hr.)	315/535	315/535	315/535
Max. Heater W (Outdoor Models)	1000	1000	N/A
ELECTRICAL DATA			
Rated Voltage	115	230	460V 1PH
Frequency (Hz)	50/60	50/60	50/60
Operating Range	+/- 10%	+/- 10%	+/- 10%
Max. Power Consumption (W at 50/60 Hz)	1196/1288	1196/1242	1334/1380
Max. Nominal Current (A at 50/60 Hz)	10.4/11.2	5.2/5.4	2.9/3.0
Starting Current (A)	48.3	27	14
Agency Approvals	UL/cUL Listed CE EAC Others available upon request		cUR Recognized CE EAC
Power Input Description	6-ft. cord with NEMA 5-20 plug	6-ft. cord with NEMA 6-15 plug	6-ft. cord with wire leads
ENCLOSURE PROTECTION			
UL Type	Type 12, 3R, 4 standard Type 4X Stainless steel optional		
International Rating	IP56 on the internal loop; IP34 on the external loop		
CONTROLLER			
Description	Basic mechanical thermostat		
Thermostat Location	Enclosure side on all base models		
Factory Thermostat Setting (°F/°C)	80/27		
SOUND LEVEL			
At 1.5 Meters	65.7 dB(A)		
UNIT CONSTRUCTION			
Material	Galvanized sheet metal standard Stainless steel optional		
Finish	RAL 7035 light-gray, semi-textured powder-coat paint standard		
UNIT DIMENSIONS			
Height (in./mm)	43/1092		
Width (in./mm)	15.75/400		
Depth (in./mm)	10.9/279		
Weight (lb./kg)	125/57		

Performance Curves for T43 Models 8000 BTU/Hr. (2344 Watt)

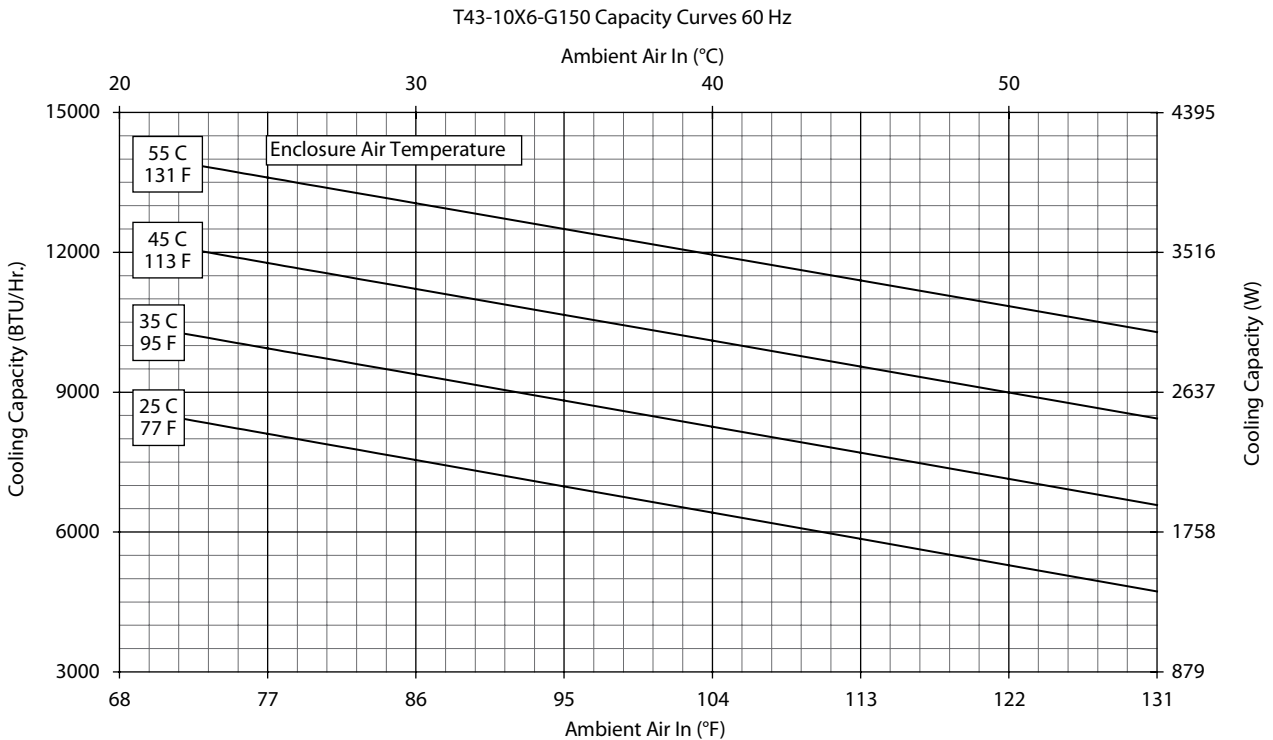
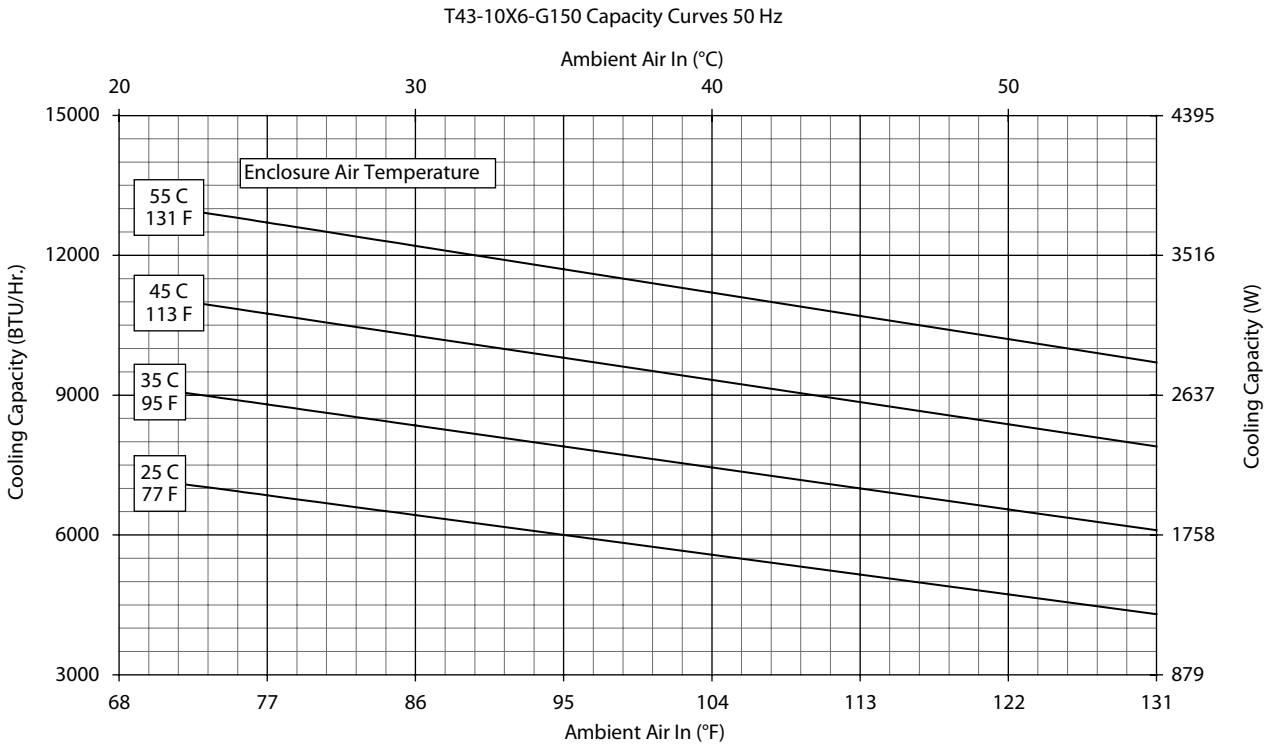


Performance Data T43 10000 BTU/Hr. (2930 Watt) Models

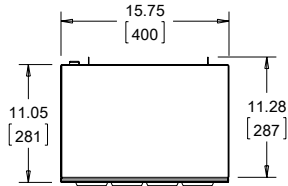


CATALOG NUMBER			
Outdoor Model without Heat Pkg.	T431016G100	T431026G100	T431046G400
Outdoor Model with Heat Pkg.	T431016G150	T431026G150	—
Outdoor Model/SST/Corrosion/4X	T431016G102	T431026G104	T431046G406
Outdoor Model/SST/Corrosion/4X/Heater	T431016G153	T431026G152	—
COOLING PERFORMANCE			
Nominal:			
BTU/Hr.	9670/10300	10100/10500	10100/10500
Watts	2831/3016	2957/3075	2957/3075
At 131 F/131 F (55 C/55 C):			
BTU/Hr. (50/60 Hz)	9667/10290	10039/10669	10039/10669
W (50/60 Hz)	2832/3015	2941/3126	2941/3126
At 95 F/95 F (35 C/35 C):			
BTU/Hr. (50/60 Hz)	7663/8397	8458/8837	8458/8837
W (50/60 Hz)	2245/2460	2478/2589	2478/2589
Refrigerant	R-134A	R-134A	R-134A
Refrigerant Charge (ounces/grams)	32/907	32/907	32/907
Operating Temperature Range:			
Maximum (°F/°C)	131/55	131/55	131/55
Minimum (°F/°C)	-40/-40	-40/-40	-40/-40
Airflow at 0 Static Pressure:			
Internal loop 50 Hz (CFM / m ³ /hr.)	272/462	320/544	320/544
External loop 50 Hz (CFM / m ³ /hr.)	510/866	568/965	568/965
Internal loop 60 Hz (CFM / m ³ /hr.)	290/493	330/561	330/561
External loop 60 Hz (CFM / m ³ /hr.)	565/960	636/1081	636/1081
Max. Heater W (Outdoor Models)	1000	1000	N/A
ELECTRICAL DATA			
Rated Voltage	115	230	460V 1PH
Frequency (Hz)	50/60	50/60	50/60
Operating Range	+/- 10%	+/- 10%	+/- 10%
Max. Power Consumption (W at 50/60 Hz)	1828.5/2288.5	2070	1334/1380
Max. Nominal Current (A at 50/60 Hz)	15.9/19.9	9	5
Starting Current (A)	57	38	20
Agency Approvals	UL/cUL Listed CE EAC Others available upon request		cUR Recognized CE EAC
Power Input Description	6-ft. cord with NEMA 5-30 plug	6-ft. cord with NEMA 6-15 plug	6-ft. cord with wire leads
ENCLOSURE PROTECTION			
UL Type	Type 12, 3R, 4 standard Type 4X Stainless steel optional		
International Rating	IP56 on the internal loop; IP34 on the external loop		
CONTROLLER			
Description	Basic mechanical thermostat		
Thermostat Location	Enclosure side on all base models		
Factory Thermostat Setting (°F/°C)	80/27		
SOUND LEVEL			
At 1.5 Meters	73.3 dB(A)		
UNIT CONSTRUCTION			
Material	Galvanized sheet metal standard Stainless steel optional		
Finish	RAL 7035 light-gray, semi-textured powder-coat paint standard		
UNIT DIMENSIONS			
Height (in./mm)	43/1092		
Width (in./mm)	15.75/400		
Depth (in./mm)	10.9/279		
Weight (lb./kg)	125/57		

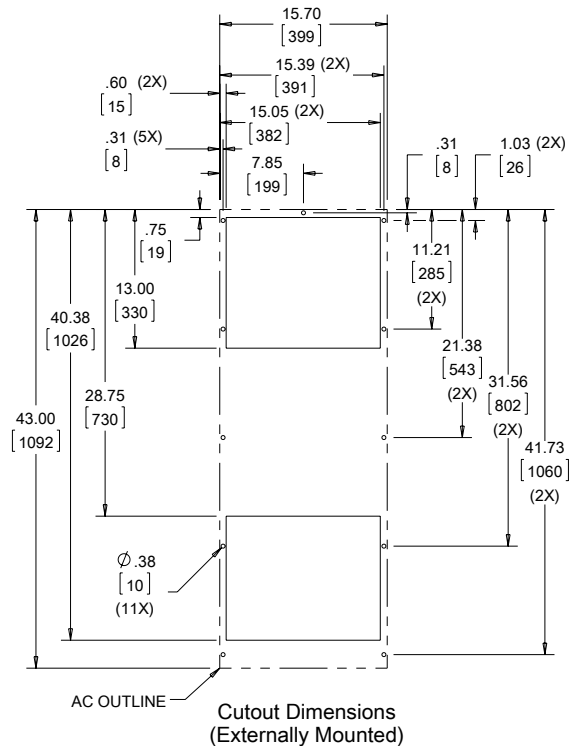
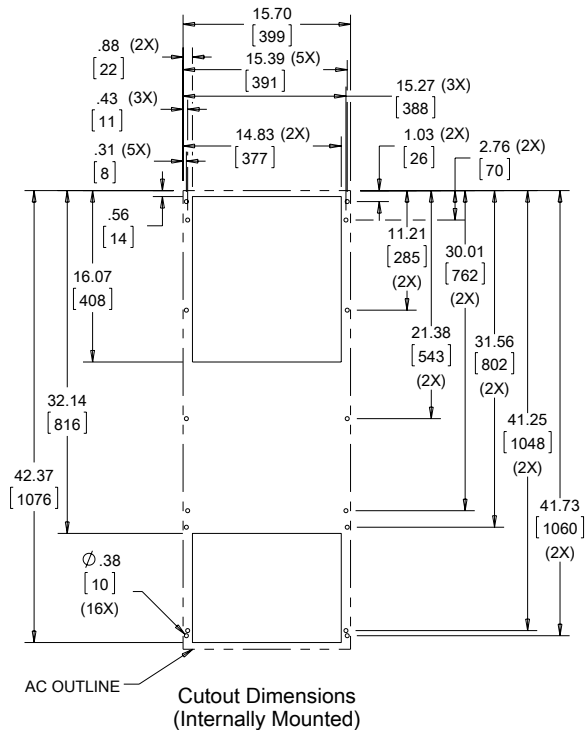
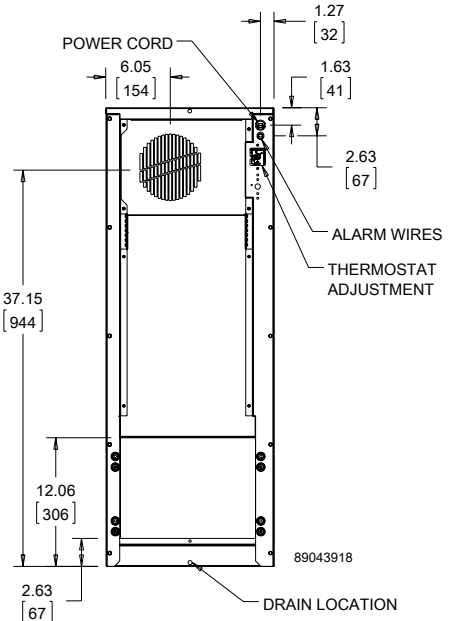
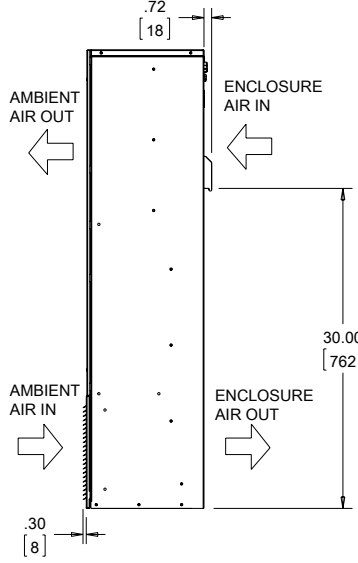
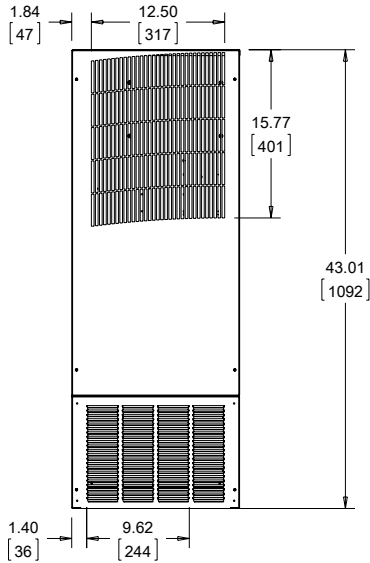
Performance Curves for T43 Models 10000 BTU/Hr. (2930 Watt)



T43 6000-10000 Models BTU/HR. (1758 - 2930 Watt)



NOTE:
1. MOUNTING GASKET SUPPLIED (NOT SHOWN)
2. UNITS: in. [mm]



Visit nVent.com/HOFFMAN to download 2D and 3D CAD drawings into the overall design of your electrical system.



Performance Data T50 12000 BTU/Hr. (3516 Watt) Models

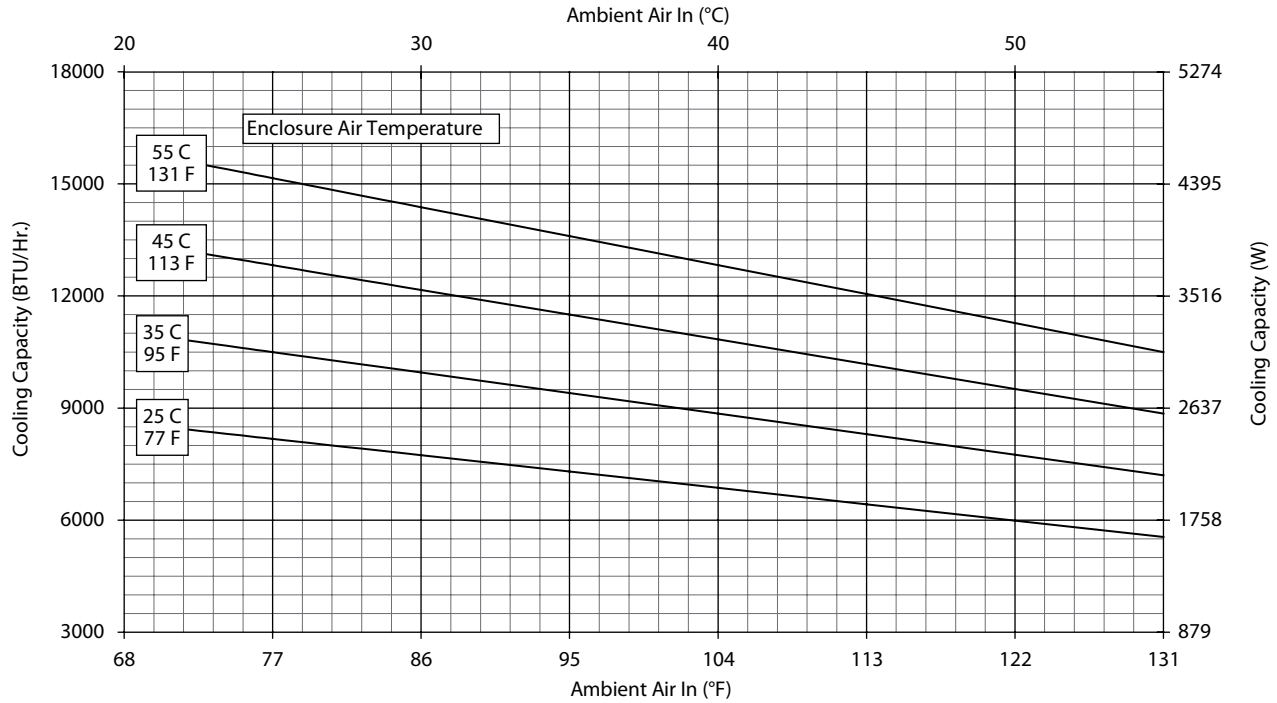
CATALOG NUMBER		
Outdoor Model without Heat Pkg.	T501226G100	T501246G400
Outdoor Model with Heat Pkg.	T501226G150	—
Outdoor Model/SST/Corrosion/4X	T501226G125	T501246G401
Outdoor Model/SST/Corrosion/4X/Heater	T501226G156	—
COOLING PERFORMANCE		
Nominal:		
BTU/Hr.	11000/12000	11000/12000
Watts	3223/3516	3223/3516
At 131 F/131 F (55 C/55 C):		
BTU/Hr. (50/60 Hz)	10030/12000	10030/12000
W (50/60 Hz)	2939/3516	2939/3516
At 95 F/95 F (35 C/35 C):		
BTU/Hr. (50 /60 Hz)	9300/10050	9300/10050
W (50/60 Hz)	2725/2945	2725/2945
Refrigerant	R-134A	R-134A
Refrigerant Charge (ounces/grams)	46/1300	46/1300
Operating Temperature Range:		
Maximum (°F/°C)	131/55	131/55
Minimum (°F/°C)	-40/-40	-40/-40
Airflow at 0 Static Pressure:		
Internal loop 50 Hz (CFM / m ³ /hr.)	300/510	300/510
External loop 50 Hz (CFM / m ³ /hr.)	520/883	520/883
Internal loop 60 Hz (CFM / m ³ /hr.)	368/626	368/626
External loop 60 Hz (CFM / m ³ /hr.)	625/1062	625/1062
Max. Heater W (Outdoor Models)	1500	1500
ELECTRICAL DATA		
Rated Voltage	220/230	460V 1PH
Frequency (Hz)	50/60	50/60
Operating Range	+/- 10%	+/- 10%
Max. Power Consumption (W at 50/60 Hz)	1804/2139	2070/2346
Max. Nominal Current (A at 50/60 Hz)	8.2/9.3	4.5/5.1
Starting Current (A)	38	20
Agency Approvals	UL/cUL Listed CE EAC	cUR Recognized CE EAC
Power Input Description	6-ft. cord with NEMA 6-15 plug	6-ft. cord with wire leads
ENCLOSURE PROTECTION		
UL Type	Type 12, 3R, 4 standard Type 4X Stainless steel optional	
CONTROLLER		
Description	Basic mechanical thermostat	
Thermostat Location	Enclosure side on all base models	
Factory Thermostat Setting (°F/°C)	80/27	
SOUND LEVEL		
At 1.5 Meters	68 dB(A)	
UNIT CONSTRUCTION		
Material	Galvanized sheet metal standard Stainless steel optional	
Finish	RAL 7035 light-gray, semi-textured powder-coat paint standard	
UNIT DIMENSIONS		
Height (in./mm)	50/1270	
Width (in./mm)	19/483	
Depth (in./mm)	11.05/281	
Weight (lb./kg)	164/75	



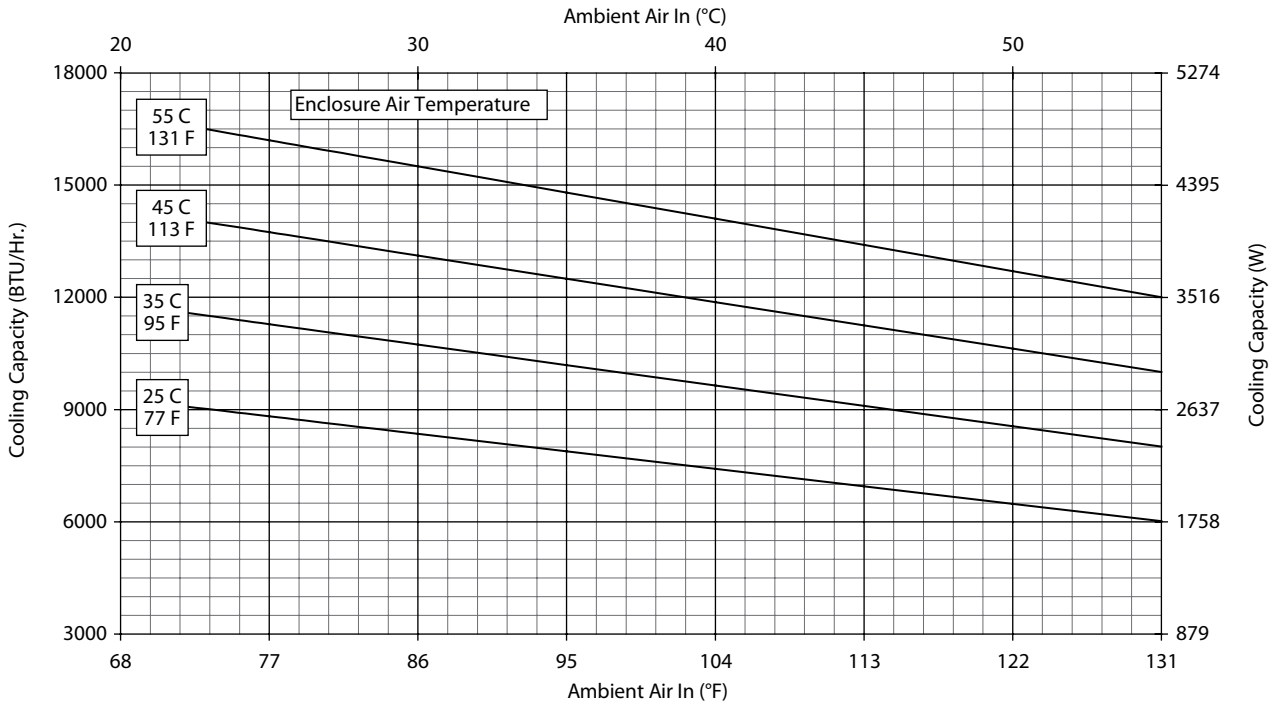
Performance Curves for T50 Models 12000 BTU/Hr. (3516 Watt)



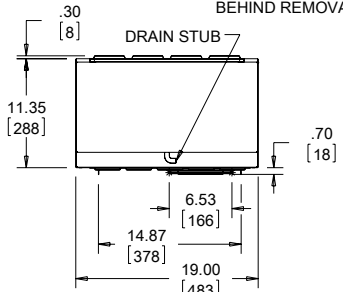
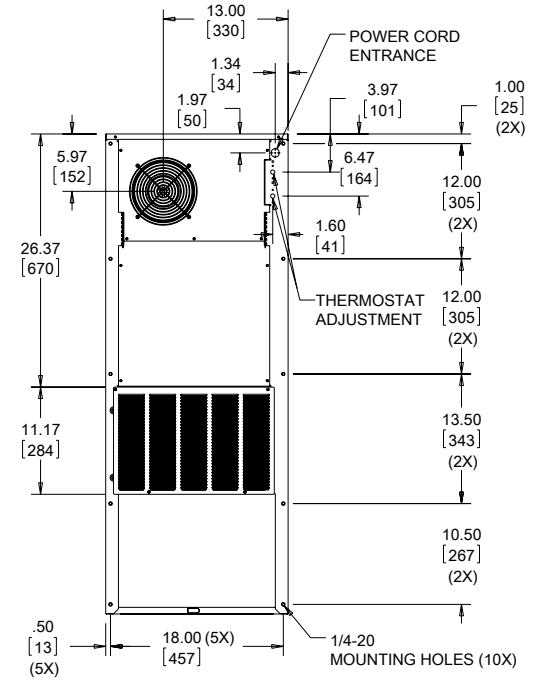
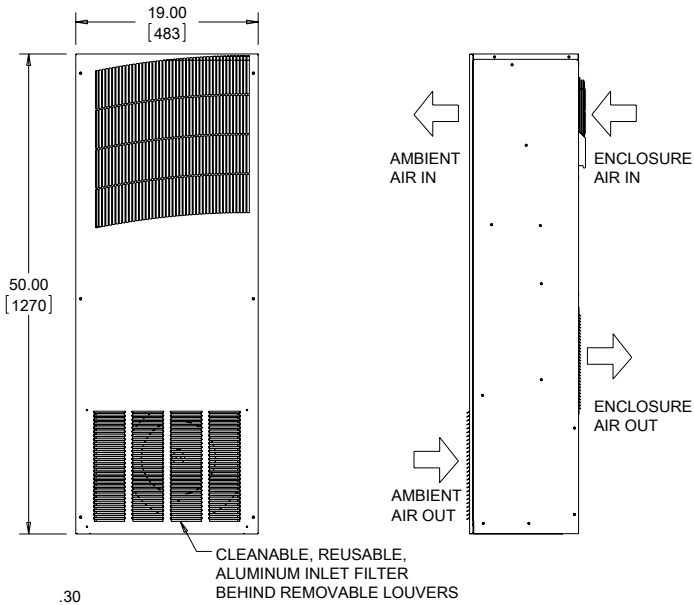
T50-12x6-GXXX Capacity Curves 50 Hz



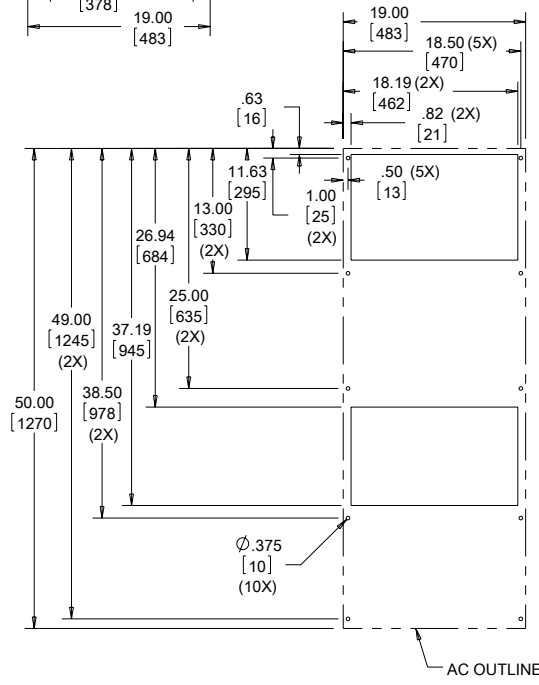
T50-12x6-GXXX Capacity Curves 60 Hz



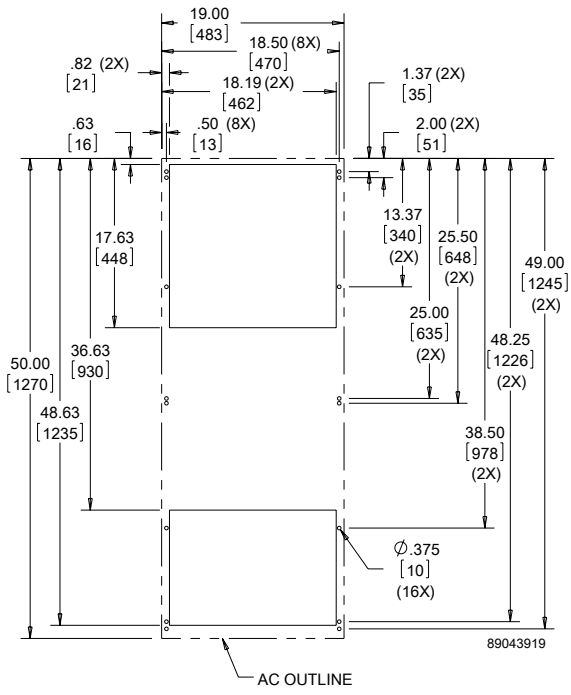
T50 Models 12000 BTU/Hr. (3516 Watt)



NOTE:
 1. MOUNTING GASKET SUPPLIED (NOT SHOWN)
 2. UNITS: in. [mm]



Cutout Dimensions (Externally Mounted)



Cutout Dimensions (Internally Mounted)

Visit nVent.com/HOFFMAN to download 2D and 3D CAD drawings into the overall design of your electrical system.

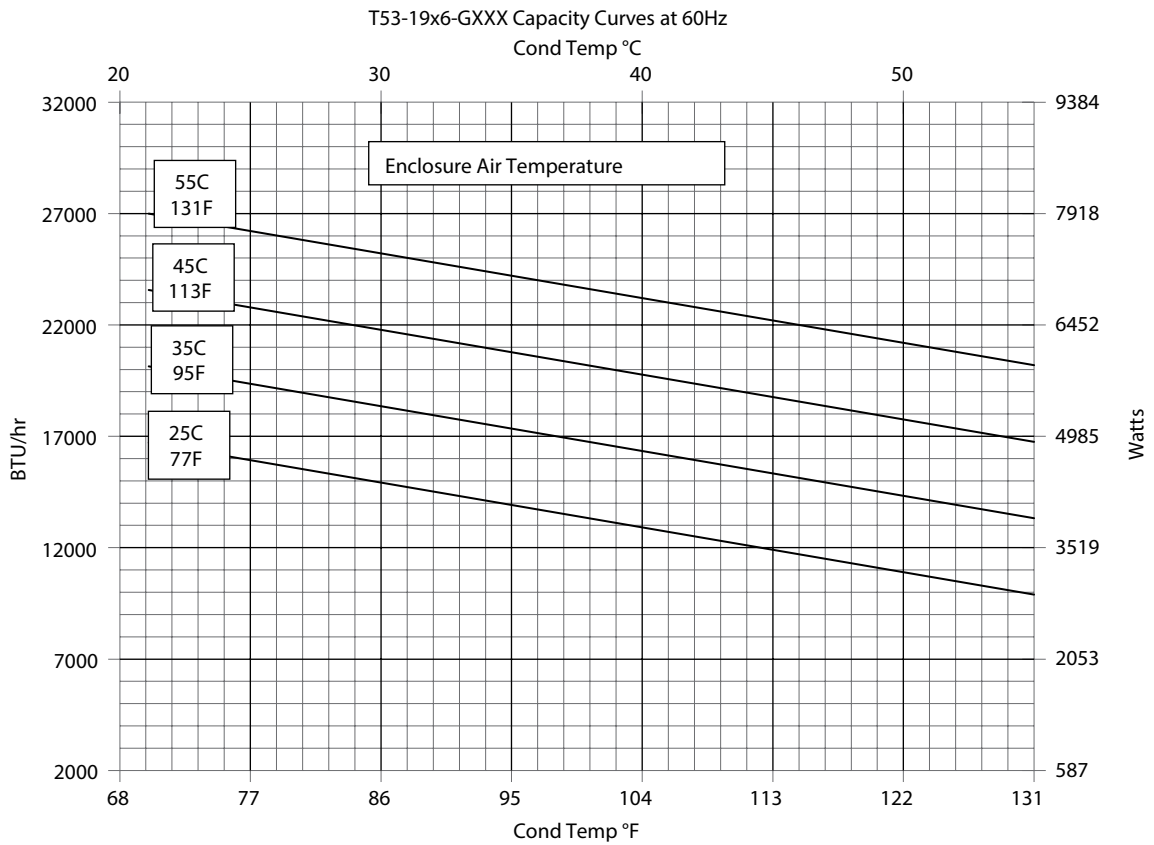
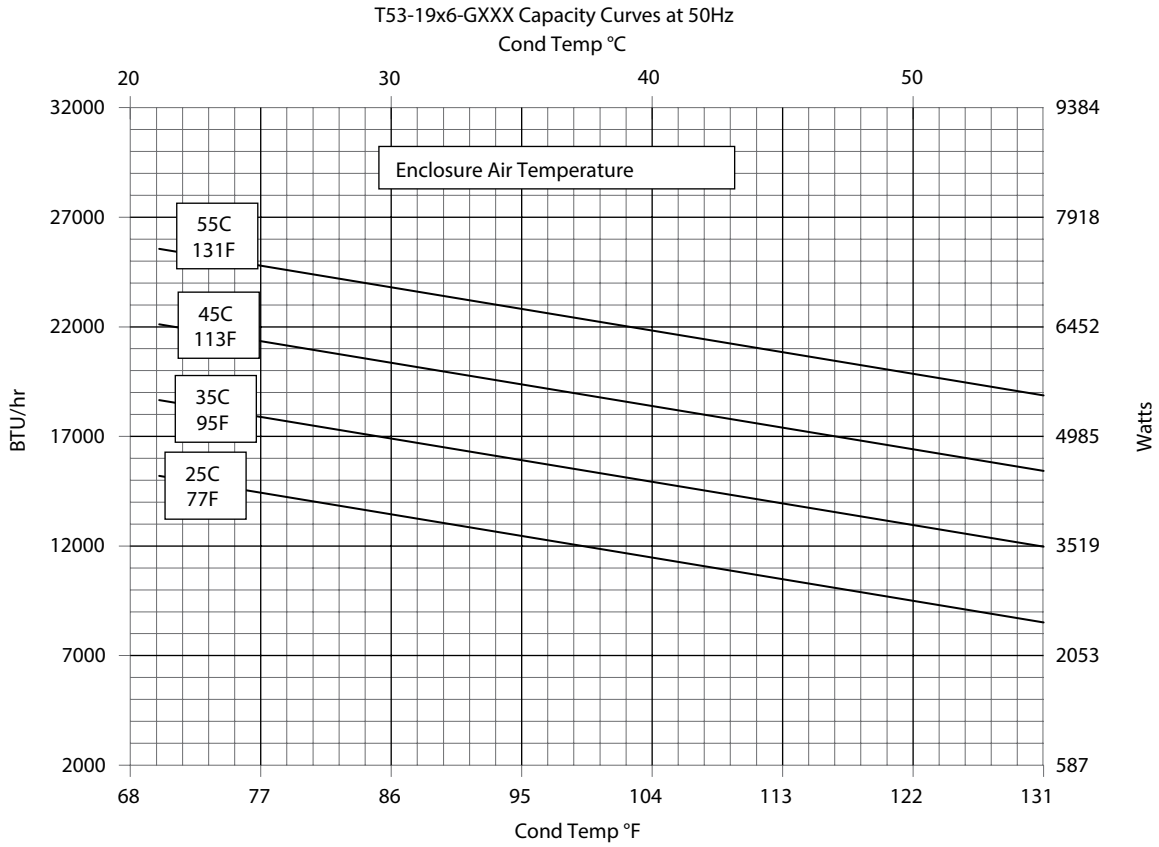


Performance Data T53 19000 BTU/Hr. (5567 Watt) Models

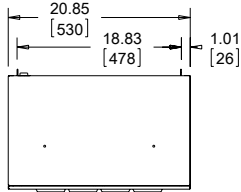


CATALOG NUMBER		
Outdoor Model without Heat Pkg.	T531926G100	T531946G400
Outdoor Model with Heat Pkg.	T531926G150	—
Outdoor Model/SST/Corrosion/4X	T531926G109	—
Outdoor Model/SST/Corrosion/4X/Heater	T531926G151	—
COOLING PERFORMANCE		
Nominal:		
BTU/Hr.	18400/20400	18400/20400
Watts	5392/5978	5392/5978
At 131 F/131 F (55 C/55 C):		
BTU/Hr. (50/60 Hz)	18488/20431	18488/20431
W (50/60 Hz)	5418/5987	5418/5987
At 95 F/95 F (35 C/35 C):		
BTU/Hr. (50 /60 Hz)	15833/18087	15833/18087
W (50/60 Hz)	4640/5300	4640/5300
Refrigerant	407C	407C
Refrigerant Charge (ounces/grams)	42/1191	42/1191
Operating Temperature Range:		
Maximum (°F/°C)	131/55	131/55
Minimum (°F/°C)	-40/-40	-40/-40
Airflow at 0 Static Pressure:		
Internal loop 50 Hz (CFM / m ³ /hr.)	449/763	449/763
External loop 50 Hz (CFM / m ³ /hr.)	1204/2046	1204/2046
Internal loop 60 Hz (CFM / m ³ /hr.)	519/882	519/882
External loop 60 Hz (CFM / m ³ /hr.)	1300/2209	1300/2209
Max. Heater W (Outdoor Models)	3000	
ELECTRICAL DATA		
Rated Voltage	230	460V 1PH
Frequency (Hz)	50/60	50/60
Operating Range	+/- 10%	+/- 10%
Max. Power Consumption (W at 50/60 Hz)	3105/3703	3404/4094
Max. Nominal Current (A at 50/60 Hz)	13.5/16.1	7.4/8.9
Starting Current (A)	54	28
Agency Approvals	UL/cUL Listed CE EAC	cUR Recognized CE EAC
Power Input Description	Terminal block	
ENCLOSURE PROTECTION		
UL Type	Type 12, 3R, 4 standard Type 4X Stainless steel optional	
CONTROLLER		
Description	Basic mechanical thermostat	
Thermostat Location	Enclosure side on all base models	
Factory Thermostat Setting (°F/°C)	80/27	
SOUND LEVEL		
At 1.5 Meters	76 dB(A)	
UNIT CONSTRUCTION		
Material	Galvanized sheet metal standard Stainless steel optional	
Finish	RAL 7035 light-gray, semi-textured powder-coat paint standard	
UNIT DIMENSIONS		
Height (in./mm)	53.0/1346.2	
Width (in./mm)	21.0/533.4	
Depth (in./mm)	13.0/330.2	
Weight (lb./kg)	197/90	237/108

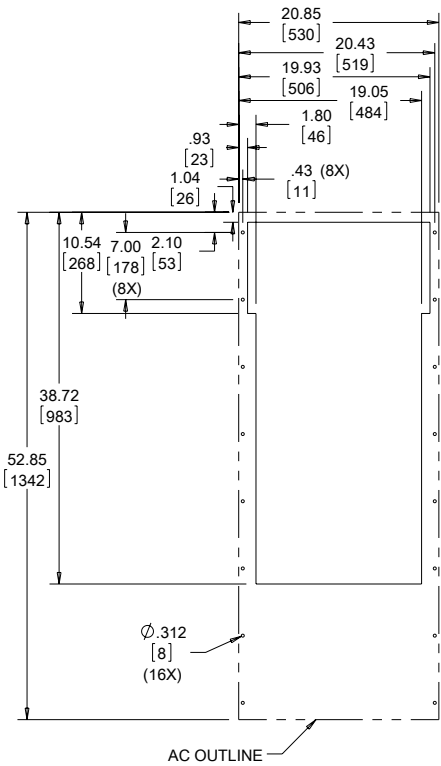
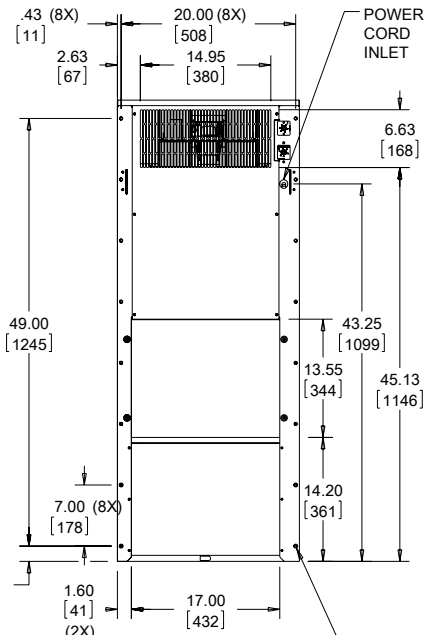
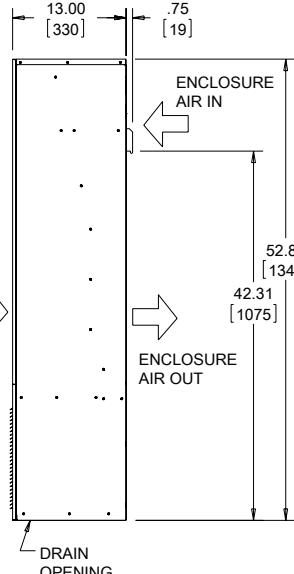
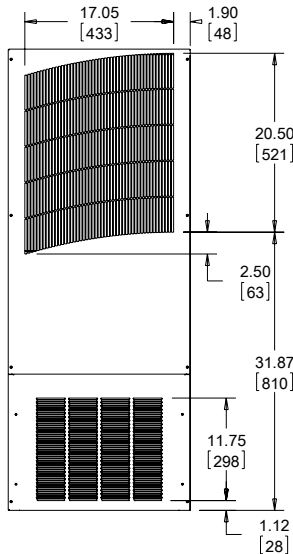
Performance Curves for T53 Models 19000 BTU/Hr. (5567 Watt)



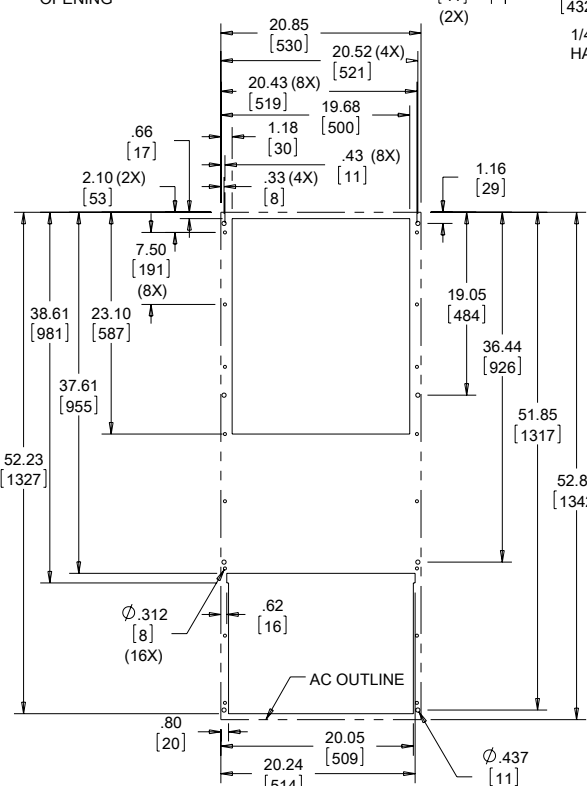
T53 Models 19000 BTU/Hr. (5567 Watt)



NOTE:
 1. MOUNTING GASKET SUPPLIED (NOT SHOWN)
 2. UNITS: in. [mm]



Cutout Dimensions (Externally Mounted)



Cutout Dimensions (Internally Mounted)

89043920

Visit nVent.com/HOFFMAN to download 2D and 3D CAD drawings into the overall design of your electrical system.

Notes



T-SERIES LARGE CAPACITY OUTDOOR



T62

20000 BTU/Hr.
5860 Watts

T70-36

36000 BTU/Hr.
10548 Watts

T70-60

59000 BTU/Hr.
17287 Watts

INDUSTRY STANDARDS

UL/cUL Listed; Type 12, 3R, 4; 4X optional; File No. SA6453
UR/cUR Recognized

UR/cUR Recognized on select models, reference performance data tables.

CE
EAC
Telcordia GR-487 capable

APPLICATION

- Industrial automation
- Telecommunications equipment
- Package handling equipment
- Security and defense systems
- And more

FEATURES

- Stock models equipped with head pressure control for low-ambient operation, compressor heater, coated condenser coil, malfunction switch, thermostat and heater package
- R-407C earth-friendly refrigerant
- Models for 230 and 460 VAC power input
- UL Listed to save customers time and money with agency approvals (some models UL recognized)
- Outdoor model operating temperature range from -40 F/-40 C to 131 F/55 C
- Exterior and fully recessed mounting options on many models
- Compact footprint to minimize real estate and maximize capacity
- Reliable mechanical thermostat on enclosure side of the unit
- Dual condenser-side air movers for performance redundancy

- Painted galvanized sheet-metal cover for rugged factory and outdoor environments
- Easy-mount flanges for simple installation
- Cleanable, reusable aluminum mesh filter protects coils for maximum cooling performance
- Mounting hardware, gaskets and user manual furnished with the unit
- Every unit functionally tested before shipping
- Standard Outdoor Air Conditioner models also include:
 - Telcordia GR-487 capable
 - Thermostat
 - Corrosion-resistant components
 - Malfunction switch
 - Compressor heater
 - Head pressure control
 - Enclosure heater

FINISH

- RAL 7035 light-gray, semi-textured powder-coat paint
- Other colors and textures available

OPTIONS

- Thermostat Malfunction Package
- Special Voltage Package
- Outdoor Package
- Harsh Environment Package*
- Stainless Steel Package*
- Heater Package
 - * PROAIR A/C may be more appropriate. Refer to PROAIR A/C Chapter. Consult the Factory for availability and catalog number.



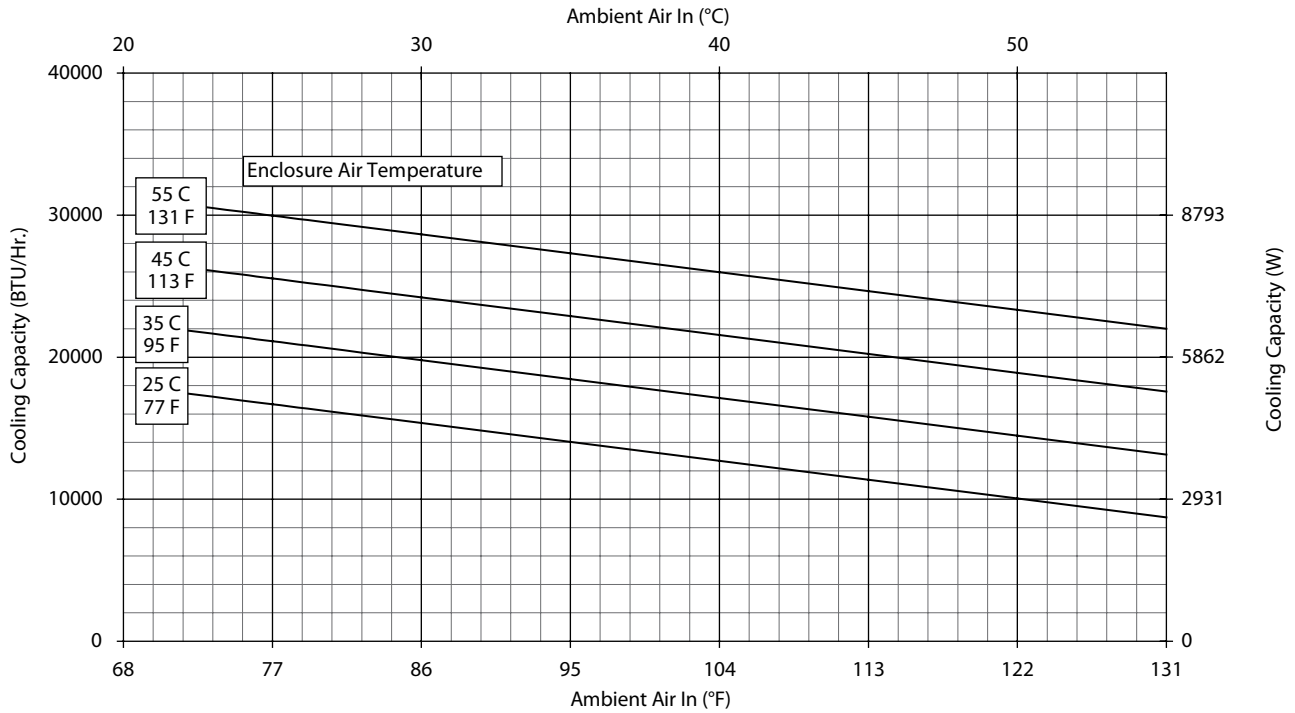
Performance Data **T62 20000 BTU/Hr. (5860 Watt) Models**

CATALOG NUMBER			
Outdoor Model with Heat Pkg.	T622226G150	T622246G400	
Outdoor Model/SST/Corrosion/4X	T622226G102	-	
Outdoor Model/SST/Corrosion/4X/Heater	T622226G151	-	
COOLING PERFORMANCE			
Nominal:			
BTU/Hr.	20500/23500	20500/23500	
Watts	6007/6886	6007/6886	
At 131 F/131 F (55 C/55 C):			
BTU/Hr. (50/60 Hz)	20860/23927	20860/23927	
W (50/60 Hz)	6113/7012	6113/7012	
At 95 F/95 F (35 C/35 C):			
BTU/Hr. (50 /60 Hz)	18258/20256	18258/20256	
W (50/60 Hz)	5351/5936	5351/5936	
Refrigerant		R-407C	
Refrigerant Charge (ounces/grams)	42/1300	42/1300	
Operating Temperature Range:			
Maximum (°F/°C)	131/55	131/55	
Minimum (°F/°C)	-40/-40	-40/-40	
Airflow at 0 Static Pressure:			
Internal loop 50 Hz (CFM / m ³ /hr.)	570/968	570/968	
External loop 50 Hz (CFM / m ³ /hr.)	1443/2452	1443/2452	
Internal loop 60 Hz (CFM / m ³ /hr.)	673/1143	673/1143	
External loop 60 Hz (CFM / m ³ /hr.)	1797/3053	1797/3053	
Max. Heater W (Outdoor Models)	2000	Up to 3000 (Optional)	
ELECTRICAL DATA			
Rated Voltage	230	460V 1PH	
Frequency (Hz)	50/60	50/60	
Operating Range	+/- 10%	+/- 10%	
Max. Power Consumption (W at 50/60 Hz)	4370/5060	7000/9200	
Max. Nominal Current (A at 50/60 Hz)	19/22	10.5/12	
Starting Current (A)	60	30	
Agency Approvals	UL/cUL Listed CE EAC	cUR Recognized CE EAC	
Power Input Description	Terminal block	Terminal block	
ENCLOSURE PROTECTION			
UL Type	Type 12, 3R, 4 standard Type 4X Stainless steel optional		
CONTROLLER			
Description	Basic mechanical thermostat		
Thermostat Location	Enclosure side on all base models		
Factory Thermostat Setting (°F/°C)	80/27		
SOUND LEVEL			
At 1.5 Meters	71 dB(A)		
UNIT CONSTRUCTION			
Material	Galvanized sheet metal standard Stainless steel optional		
Finish	RAL 7035 light-gray, semi-textured powder-coat paint standard		
UNIT DIMENSIONS			
Height (in./mm)	61.77/1568.96	61.77/1568.96	
Width (in./mm)	19.91/505.71	19.91/505.71	
Depth (in./mm)	17.36/440.94	17.36/440.94	
Weight (lb./kg)	218/99.1	258/117	

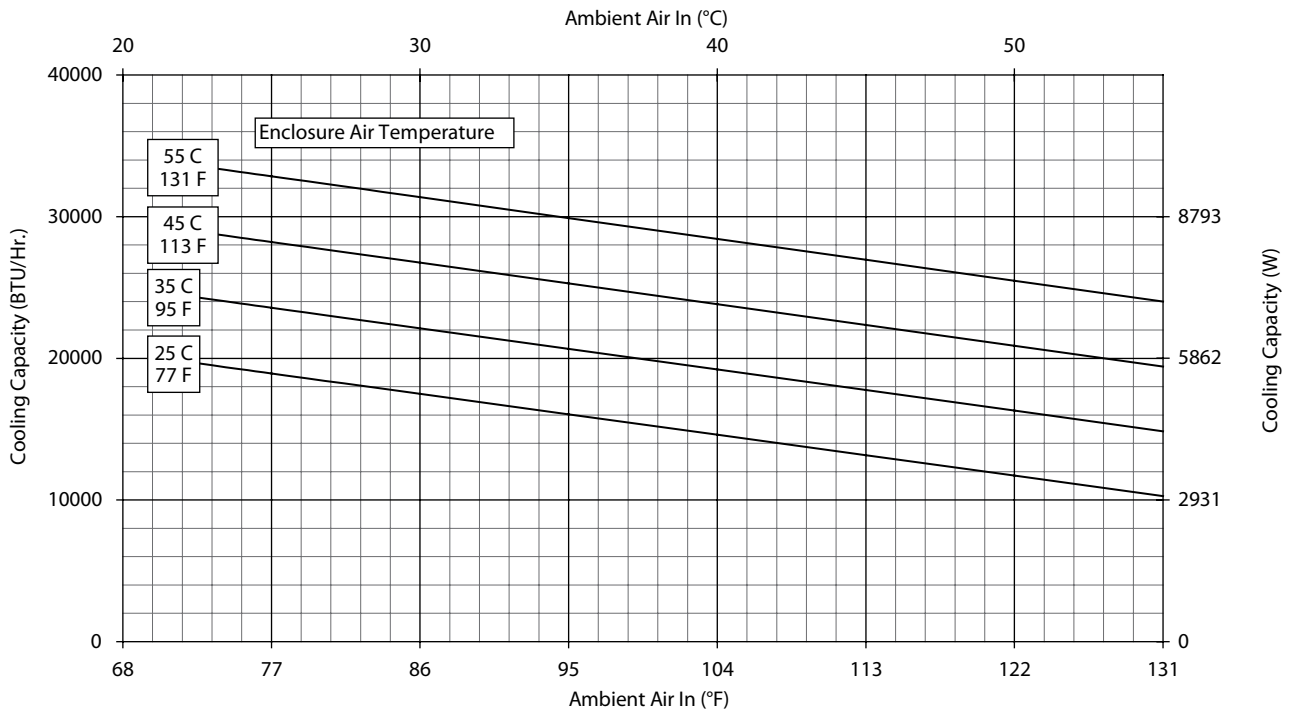
Performance Curves for T62 Models 20000 BTU/Hr. (5860 Watt)



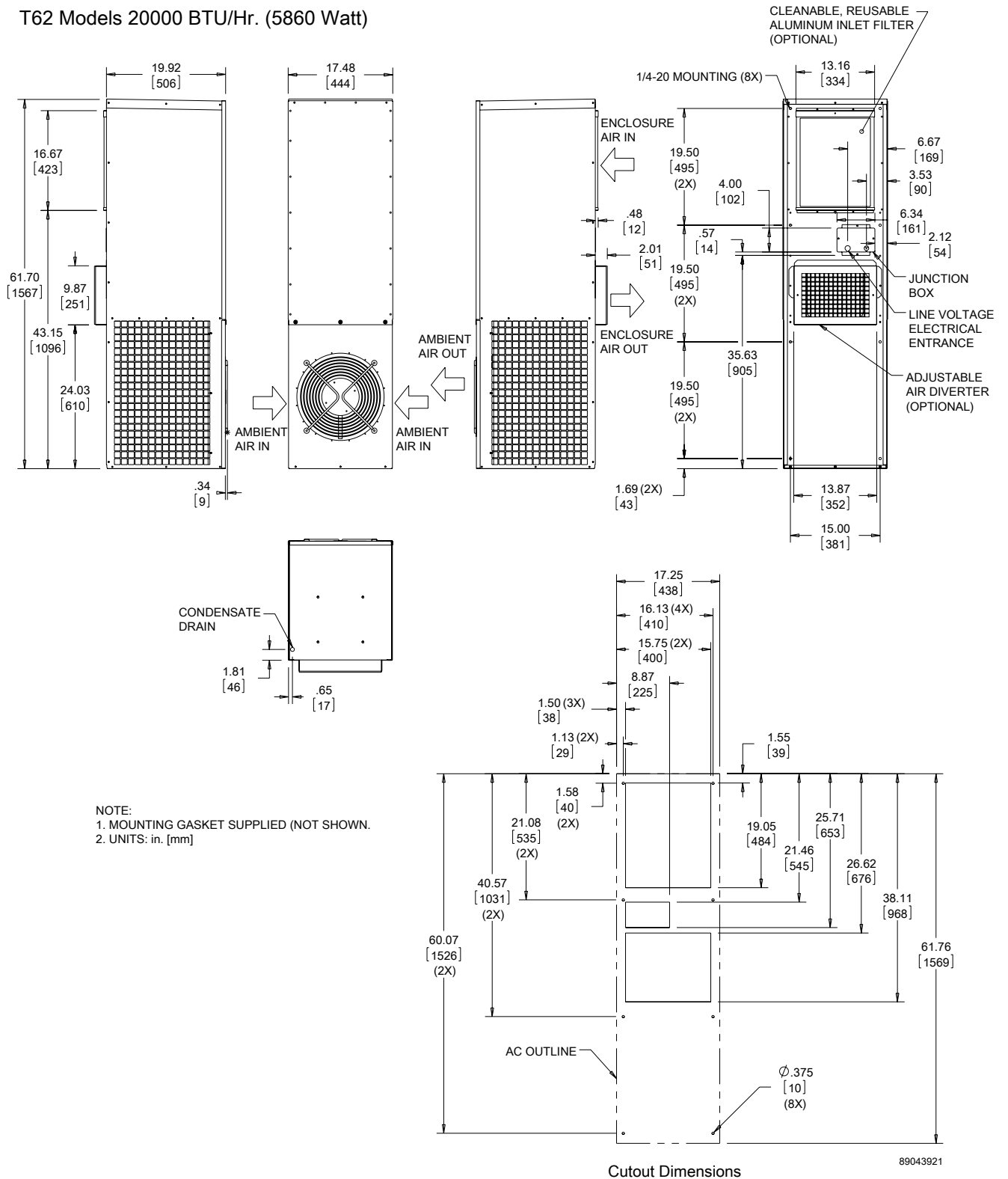
T62-22x6-GXXX R-407c Capacity Curves 50 Hz



T62-22x6-GXXX R-407c Capacity Curves 60 Hz



T62 Models 20000 BTU/Hr. (5860 Watt)



Visit nVent.com/HOFFMAN to download 2D and 3D CAD drawings into the overall design of your electrical system.

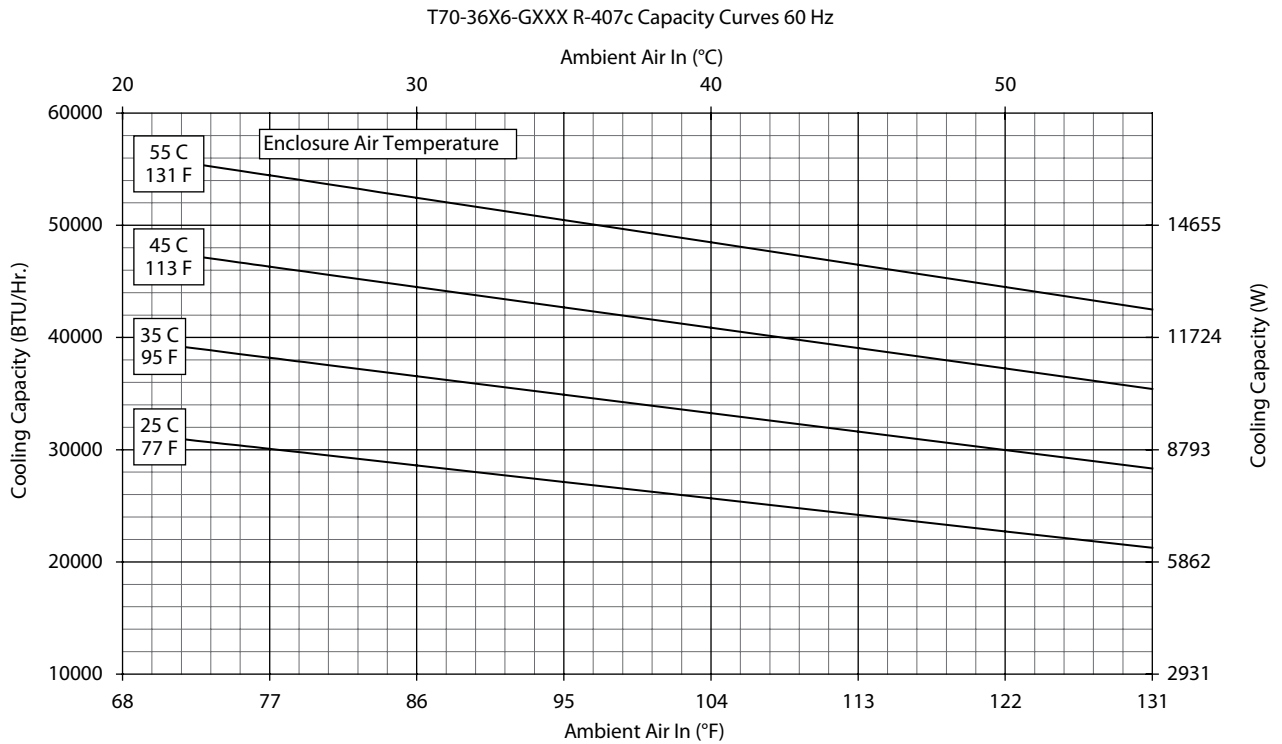
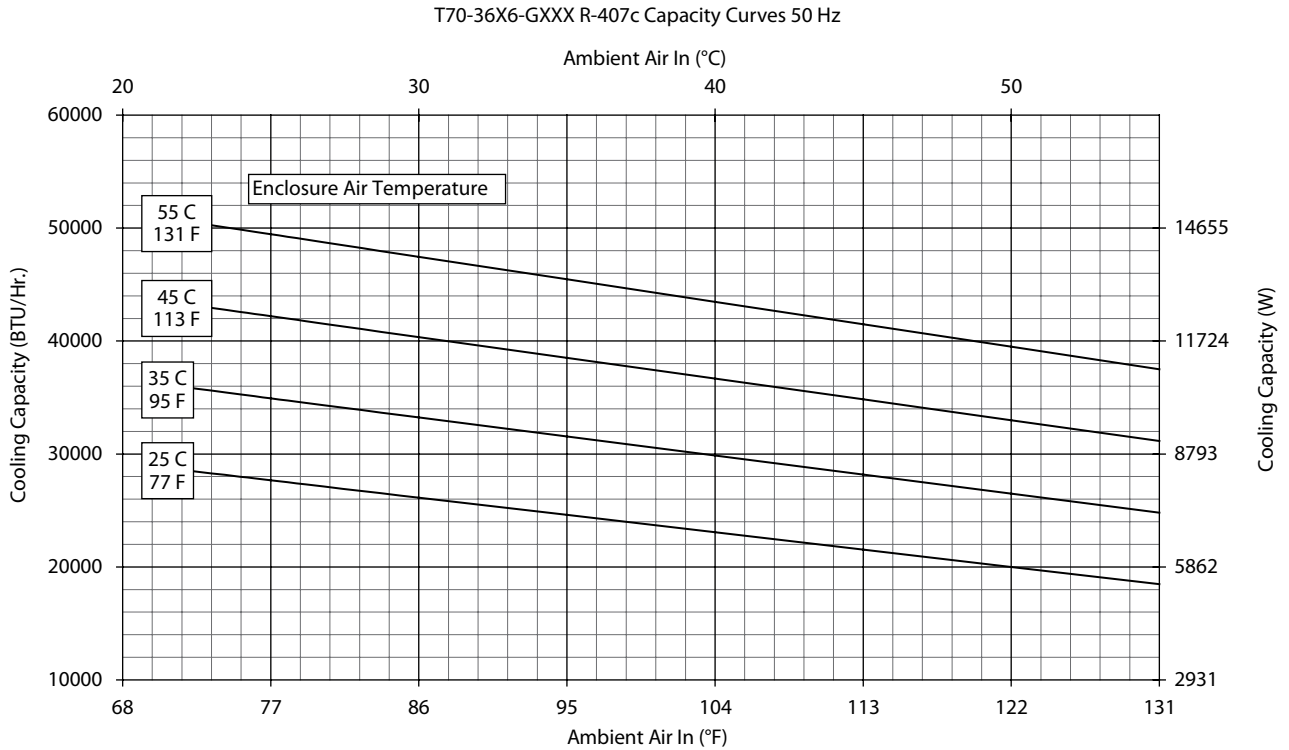


Performance Data T70-36 36000 BTU/Hr. (10548 Watt) Models

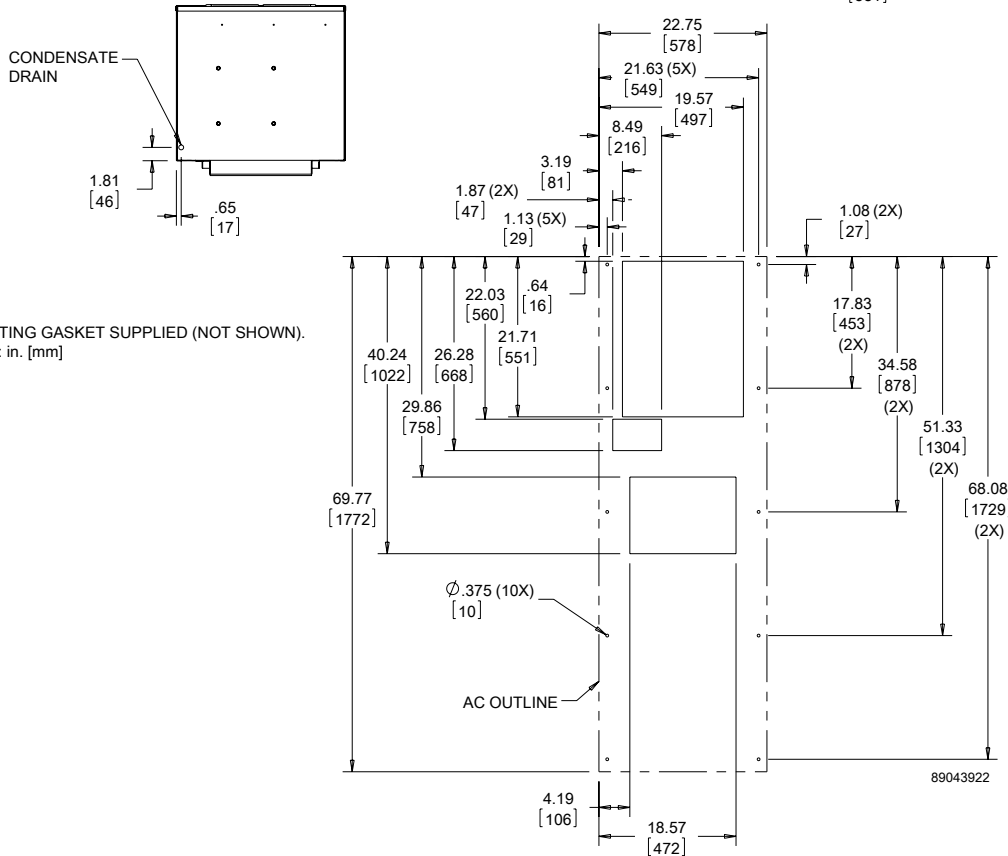
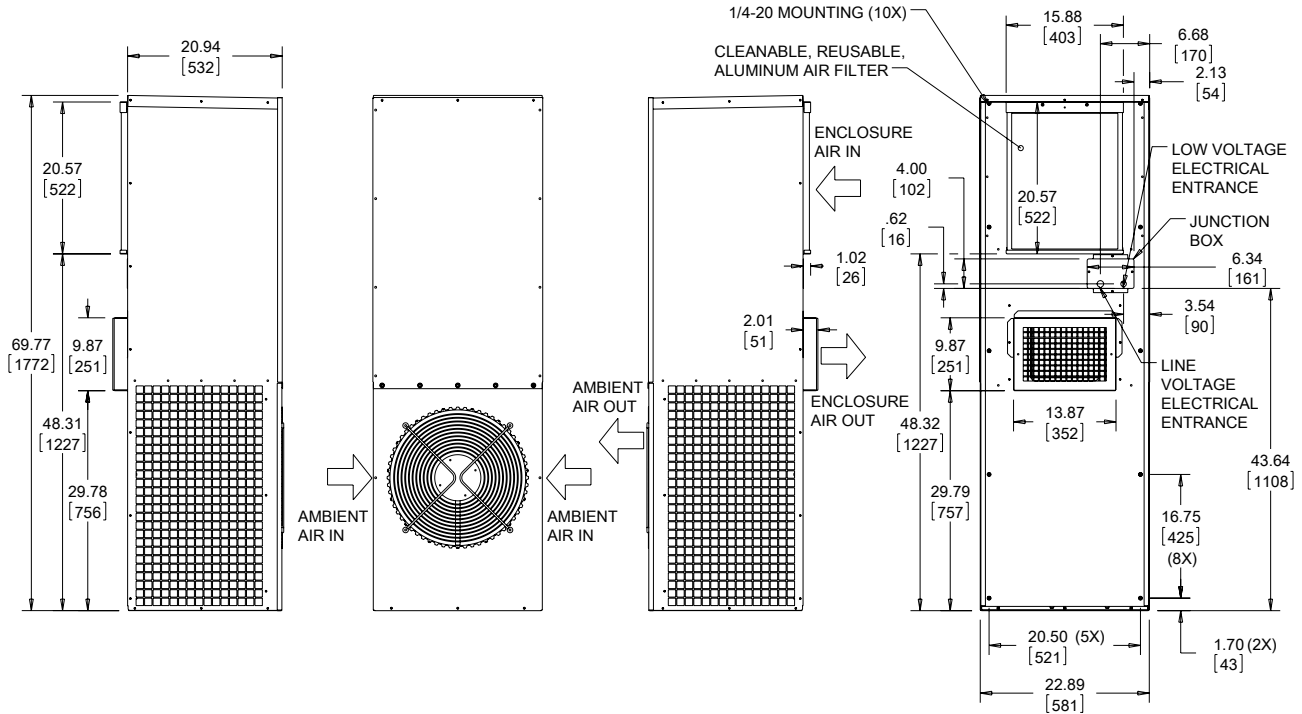


CATALOG NUMBER	T703626G150	T703646G400
COOLING PERFORMANCE		
Nominal:		
BTU/Hr.	39000/43000	
Watts	11430/12602	
At 131 F/131 F (55 C/55 C):		
BTU/Hr. (50/60 Hz)	38613/42930	
W (50/60 Hz)	11316/12570	
At 95 F/95 F (35 C/35 C):		
BTU/Hr. (50/60 Hz)	31364/36130	
W (50/60 Hz)	9192/10579	
Refrigerant	R-407C	
Refrigerant Charge (ounces/grams)	110/3118	
Operating Temperature Range:		
Maximum (°F/°C)	131/55	
Minimum (°F/°C) Minimum (°F/°C)	-40/-40	
Airflow at 0 Static Pressure:		
Internal loop 50 Hz (CFM / m ³ /hr.)	1085/1843	
External loop 50 Hz (CFM / m ³ /hr.)	2176/3697	
Internal loop 60 Hz (CFM / m ³ /hr.)	1171/1989	
External loop 60 Hz (CFM / m ³ /hr.)	2347/3987	
Max. Heater W (Outdoor Models)	2000 Standard (5000 Optional)	
ELECTRICAL DATA		
Rated Voltage	230	460
Frequency (Hz)	50/60	60
Operating Range	+/- 10%	+/- 10%
Max. Power Consumption (W at 50/60 Hz)	8280	8280
Max. Nominal Current (A at 50/60 Hz)	36	18
Starting Current (A)	104	52
Agency Approvals	UL/cUL Listed CE EAC Others available upon request	
Power Input Description	Terminal block	
ENCLOSURE PROTECTION		
UL Type	Type 12, 3R, 4 standard Type 4X Stainless steel optional UL/cUL Listed	
International Rating		
CONTROLLER		
Description	Basic mechanical thermostat	
Thermostat Location	Enclosure side on all base models	
Factory Thermostat Setting (°F/°C)	80/27	
SOUND LEVEL		
At 1.5 Meters	66 dB(A)	
UNIT CONSTRUCTION		
Material	Galvanized sheet metal standard Stainless steel optional	
Finish	RAL 7035 light-gray, semi-textured powder-coat paint standard	
UNIT DIMENSIONS		
Height (in./mm)	69.8/1772	
Width (in./mm)	22.8/578	
Depth (in./mm)	20.94/532	
Weight (lb./kg)	260/118	

Performance Curves for T70 Models 36000 BTU/Hr. (10548 Watt)



T70 Models 36000 BTU/Hr. (10548 Watt)



NOTE:
 1. MOUNTING GASKET SUPPLIED (NOT SHOWN).
 2. UNITS: in. [mm]

Cutout Dimensions

Visit nVent.com/HOFFMAN to download 2D and 3D CAD drawings into the overall design of your electrical system.

Performance Data T70-60 59000 BTU/Hr. (17287 Watt) Models

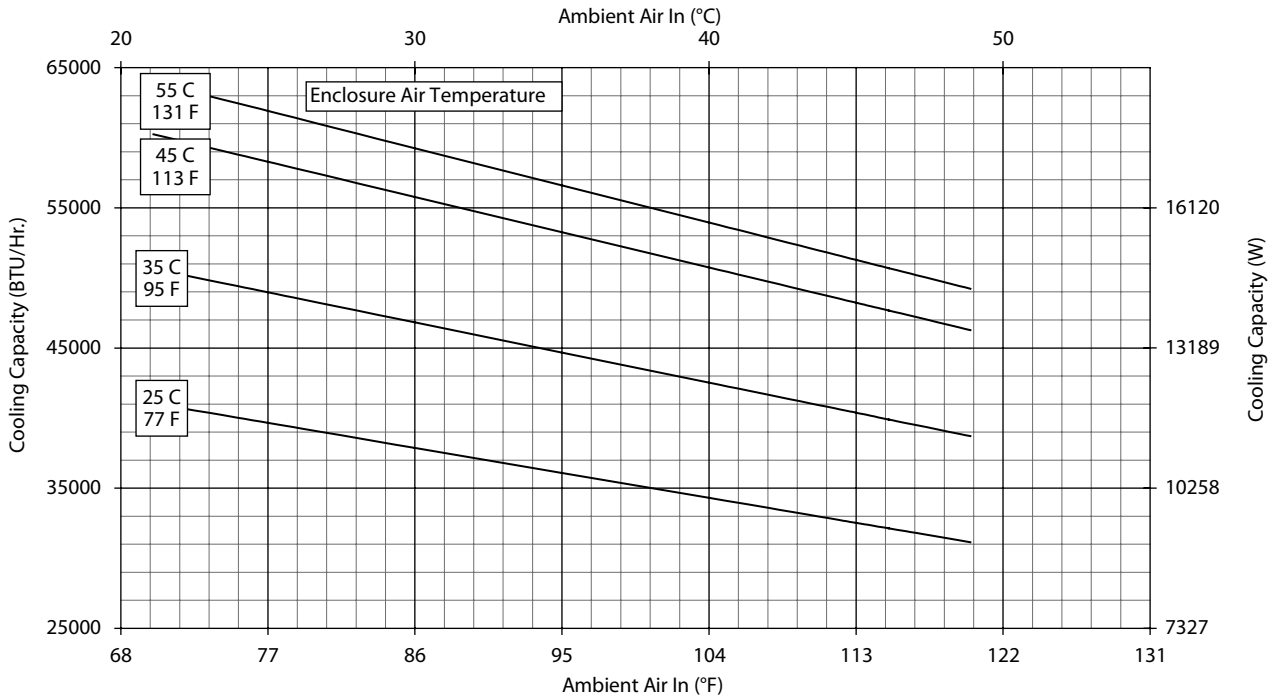
CATALOG NUMBER	T706026G150	T706046G400
COOLING PERFORMANCE		
Nominal:		
BTU/Hr.	51900/60000	
Watts	15210/17584	
At 122 F/122 F (50 C/50 C):		
BTU/Hr. (50/60 Hz)	51900/60000	
W (50/60 Hz)	15210/17584	
At 95 F/95 F (35 C/35 C):		
BTU/Hr. (50 /60 Hz)	47122/54500	
W (50/60 Hz)	13810/15972	
Refrigerant	R-407C	
Refrigerant Charge (ounces/grams)	150/4252	
Operating Temperature Range:		
Maximum (°F/°C)	122/50	
Minimum (°F/°C)	-40/-40	
Airflow at 0 Static Pressure:		
Internal loop 50 Hz (CFM / m ³ /hr.)	1510/2565	
External loop 50 Hz (CFM / m ³ /hr.)	2716/4614	
Internal loop 60 Hz (CFM / m ³ /hr.)	1629/2767	
External loop 60 Hz (CFM / m ³ /hr.)	2931/4979	
Max. Heater W (Outdoor Models)		
ELECTRICAL DATA		
Rated Voltage	200/230	420/460
Frequency (Hz)	50/60	50/60
Operating Range	+/- 10%	+/- 10%
Max. Power Consumption (W at 50/60 Hz)	7000/9200	6426/7038
Max. Nominal Current (A at 50/60 Hz)	35/40	15.3
Starting Current (A)	144	144
Agency Approvals	UL/cUL Listed CE EAC Others available upon request	
Power Input Description	Terminal block	
ENCLOSURE PROTECTION		
UL Type	Type 12, 3R, 4 standard Type 4X Stainless steel optional	
International Rating	IP56 on the internal loop; IP34 on the external loop	
Description	Basic mechanical thermostat	
CONTROLLER		
Thermostat Location	Enclosure side on all base models	
Factory Thermostat Setting (°F/°C)	80/27	
SOUND LEVEL		
At 1.5 Meters	66 dB(A)	
UNIT CONSTRUCTION		
Material	Galvanized sheet metal standard Stainless steel optional	
Finish	RAL 7035 light-gray, semi-textured powder-coat paint standard	
UNIT DIMENSIONS		
Height (in./mm)	69.77/1772	
Width (in./mm)	35.86/911	
Depth (in./mm)	22.94/583	
Weight (lb./kg)	419/190.5	



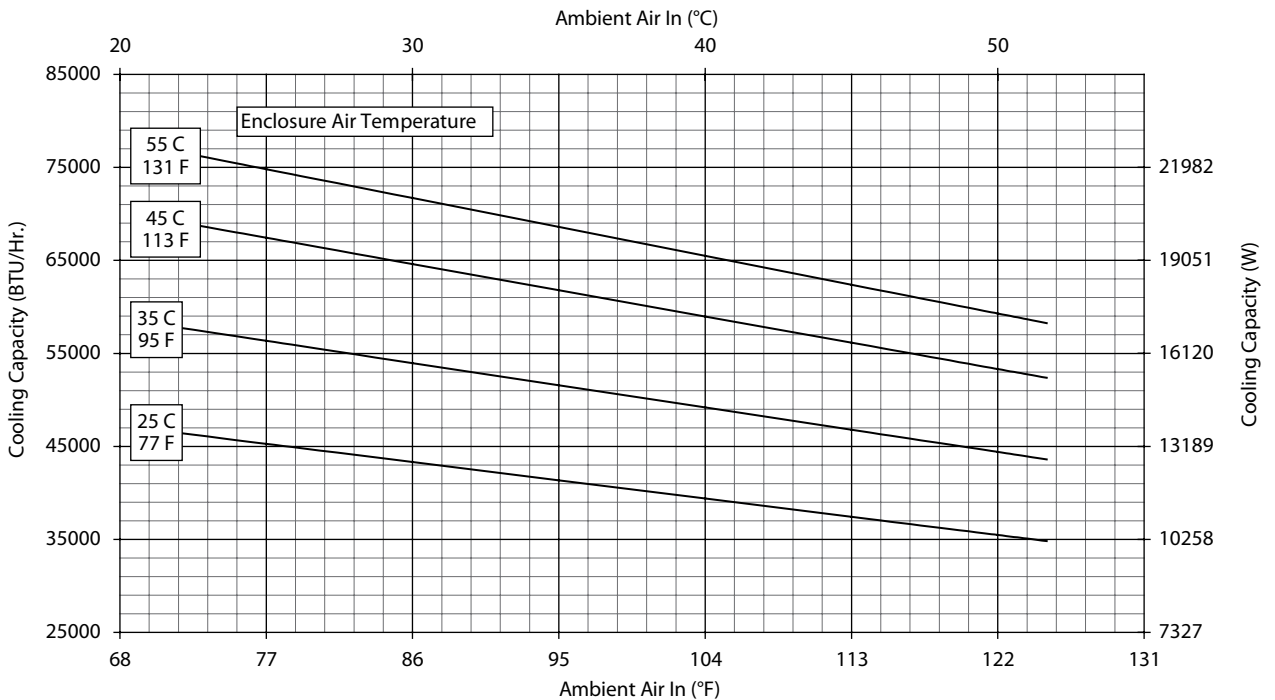
Performance Curves for T70 Models 59000 BTU/Hr. (17287 Watt)



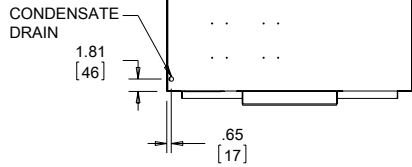
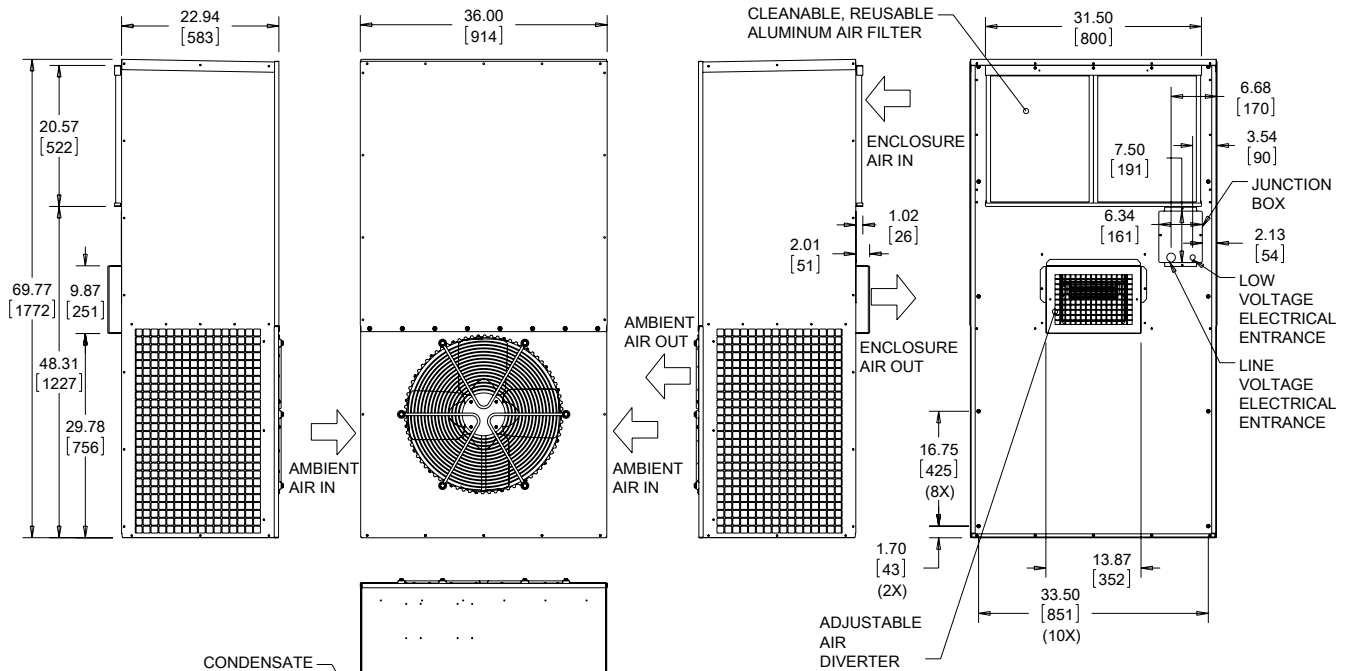
T70-60X6-GXXX R-407c Capacity Curves 50 Hz



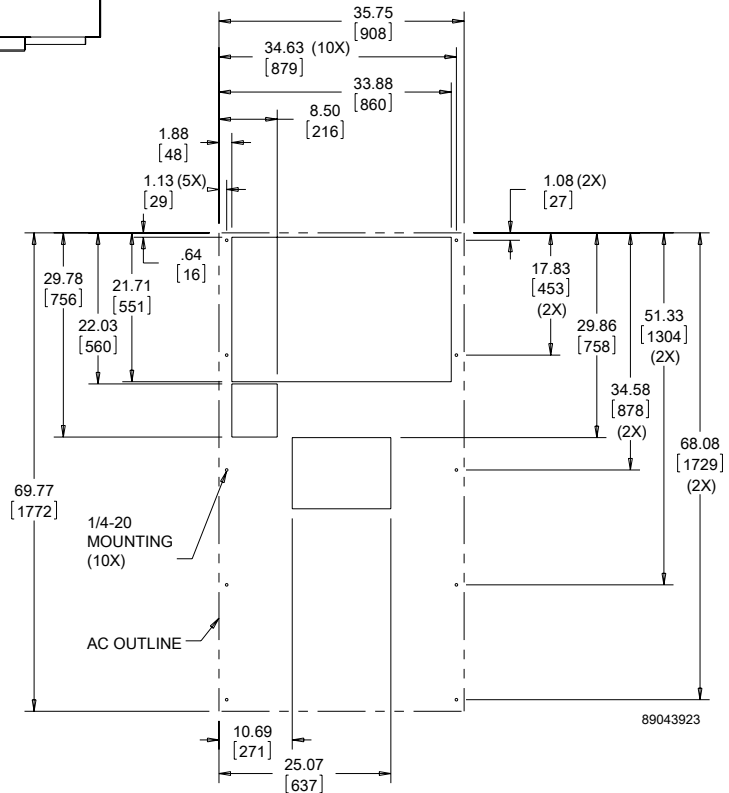
T70-60X6-GXXX R-407c Capacity Curves 60 Hz



T70 Models 59000 BTU/Hr. (17287 Watt)



NOTE:
1. MOUNTING GASKET SUPPLIED (NOT SHOWN)
2. UNITS: in. [mm]



Cutout Dimensions

Visit nVent.com/HOFFMAN to download 2D and 3D CAD drawings into the overall design of your electrical system.



GENESIS TOP-MOUNT INDOOR



HB16
8000 BTU/Hr.
2051 Watt



MHB11
2200-4000 BTU/Hr.
645-1172 Watt

INDUSTRY STANDARDS

UL/cUL Listed; Type 12; File No. SA6453
UR/cUR Recognized

Maintains U/cUL Type 12 rating when properly installed on a UL/cUL Type 12 enclosure.

UR/cUR Recognized on select models, reference performance data tables.

CE
EAC

APPLICATION

- Industrial automation
- Package handling equipment
- Security and defense systems
- Ideal for use where there is little or no clearance around the enclosure

FEATURES

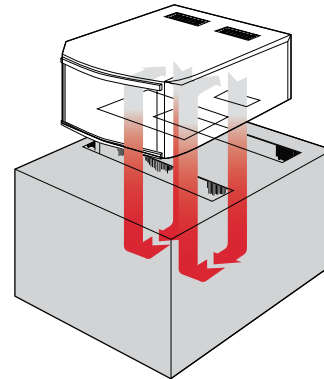
- Robust reciprocating compressor
- R134a and R407c earth-friendly refrigerant
- Models for 115, 230 and 460 single-phase VAC power input
- UL Listed or Recognized to save customers time and money with agency approvals
- Operating temperature range from 50 F/10 C to 125 F/52 C
- Attractive industrial design with minimal use of visible fasteners
- Reliable mechanical thermostat located behind the filter of the unit
- Low-carbon mild-steel sheet-metal cover for rugged factory environments
- Cleanable, reusable aluminum mesh filter protects coils for maximum cooling performance
- Mounting hardware, gaskets and user manual furnished with the unit
- Every unit functionally tested before shipping
- Standard Indoor Air Conditioner models also include:
 - Electro-Mechanical Thermostat
 - Surge Suppressor
 - Condensate Management System On MHB11 models

FINISH

- RAL 7042 gray, semi-gloss powder-coat paint standard
- Other colors and textures available

OPTIONS

- Thermostat Malfunction Package
- Special Voltage Package
- * Consult the factory for availability and catalog number



Top-Mount to Enclosure

Performance Data **MHB11 Models 2200 BTU/Hr. (645 Watt)**

CATALOG NUMBER	MHB110216G306	MHB110226G306	MHB110246G400
COOLING PERFORMANCE			
Nominal:			
BTU/Hr.	2200/2200	2200/2200	2200/2200
Watts	645/645	645/645	645/645
Refrigerant	R-134A	R-134A	R-134A
Refrigerant Charge (ounces/grams)	11/312	11/312	11/312
Operating Temperature Range:			
Maximum (°F/°C)	125/52	125/52	125/52
Minimum (°F/°C)	50/10	50/10	50/10
Airflow at 0 Static Pressure:			
Internal loop 50 Hz (CFM / m ³ /hr.)	158/268	170/289	170/289
External loop 50 Hz (CFM / m ³ /hr.)	222/377	218/370	218/370
Internal loop 60 Hz (CFM / m ³ /hr.)	177/301	192/326	192/326
External loop 60 Hz (CFM / m ³ /hr.)	252/428	245/416	245/416
ELECTRICAL DATA			
Rated Voltage	115	220/230	440/460V 1PH
Frequency (Hz)	50/60	50/60	50/60
Operating Range	+/- 10%	+/- 10%	+/- 10%
Max. Power Consumption (W at 50/60 Hz)	1127/1035	1210/1058	1320/1150
Max. Nominal Current (A at 50/60 Hz)	9.8/9.0	5.5/4.6	3.0/2.5
Starting Current (A)	28	14.4	7.4
Agency Approvals	UL/cUL Listed CE EAC Others available upon request		cUR Recognized CE EAC
Power Input Description	6-ft. cord with NEMA 5-15 plug	6-ft. cord with NEMA 6-15 plug	6-ft. cord with wire leads
ENCLOSURE PROTECTION			
UL Type	Type 12 standard		
CONTROLLER			
Description	Basic mechanical thermostat		
Thermostat Location	Behind filter		
Factory Thermostat Setting (°F/°C)	80/27		
SOUND LEVEL			
At 1.5 Meters	62 dB(A)		
UNIT CONSTRUCTION			
Material	Mild steel sheet metal standard Stainless steel optional		
Finish	RAL 7042 gray, semi-gloss powder-coat paint standard		
UNIT DIMENSIONS			
Height (in./mm)	10.25/260	10.25/260	10.25/260
Width (in./mm)	17/432	17/432	17/432
Depth (in./mm)	21.08/535	21.08/535	21.08/535
Weight (lb./kg)	90/41	90/41	110/50



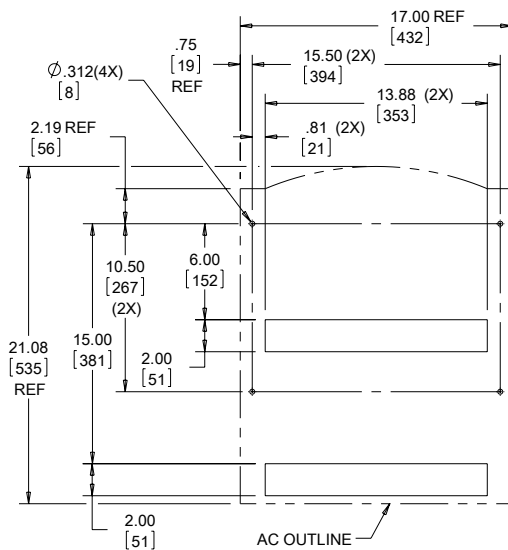
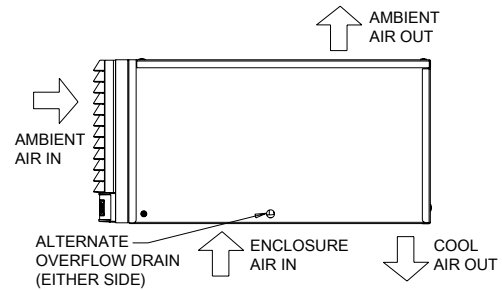
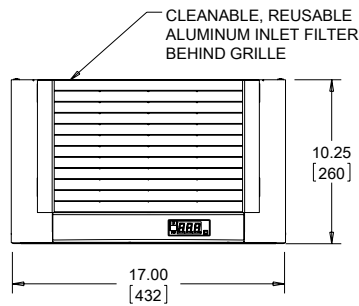
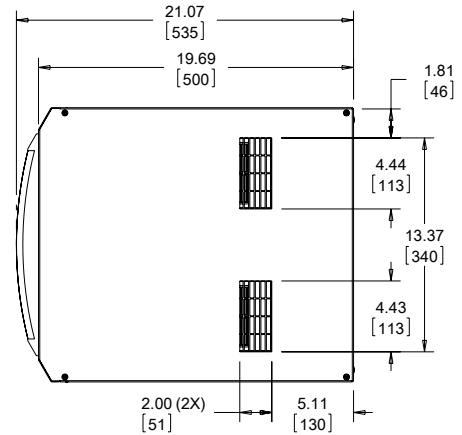
Performance Data **MHB11 Models 4000 BTU/Hr. (1172 Watt)**


CATALOG NUMBER	MHB110416G307	MHB110426G306	MHB110446G400
COOLING PERFORMANCE			
Nominal:			
BTU/Hr.	3300/4000	3300/4000	3300/4000
Watts	967/1172	967/1172	967/1172
Refrigerant	R-134A	R-134A	R-134A
Refrigerant Charge (ounces/grams)	13/369	13/369	13/369
Operating Temperature Range:			
Maximum (°F/°C)	125/52	125/52	125/52
Minimum (°F/°C)	50/10	50/10	50/10
Airflow at 0 Static Pressure:			
Internal loop 50 Hz (CFM / m ³ /hr.)	158/268	170/289	170/289
External loop 50 Hz (CFM / m ³ /hr.)	222/377	218/370	218/370
Internal loop 60 Hz (CFM / m ³ /hr.)	177/301	192/326	192/326
External loop 60 Hz (CFM / m ³ /hr.)	252/428	245/416	245/416
ELECTRICAL DATA			
Rated Voltage	110/115	220/230	440/460V 1PH
Frequency (Hz)	50/60	50/60	50/60
Operating Range	+/- 10%	+/- 10%	+/- 10%
Max. Power Consumption (W at 50/60 Hz)	1617/1564	1760/1725	1936/1886
Max. Nominal Current (A at 50/60 Hz)	14.7/13.6	8.0/7.5	4.4/4.1
Starting Current (A)	48	23	12
Agency Approvals	UL/cUL Listed CE EAC Others available upon request		cUR Recognized CE EAC
Power Input Description	6-ft. cord with NEMA 5-20 plug	6-ft. cord with NEMA 6-15 plug	6-ft. cord with wire leads
ENCLOSURE PROTECTION			
UL Type	Type 12 standard		
CONTROLLER			
Description	Basic mechanical thermostat		
Thermostat Location	Behind filter		
Factory Thermostat Setting (°F/°C)	80/27		
SOUND LEVEL			
At 1.5 Meters	62 dB(A)		
UNIT CONSTRUCTION			
Material	Mild steel sheet metal standard Stainless steel optional		
Finish	RAL 7042 gray, semi-gloss powder-coat paint standard		
UNIT DIMENSIONS			
Height (in./mm)	10.25/260	10.25/260	10.25/260
Width (in./mm)	17/432	17/432	17/432
Depth (in./mm)	21.08/535	21.08/535	21.08/535
Weight (lb./kg)	108/49	108/49	128/58

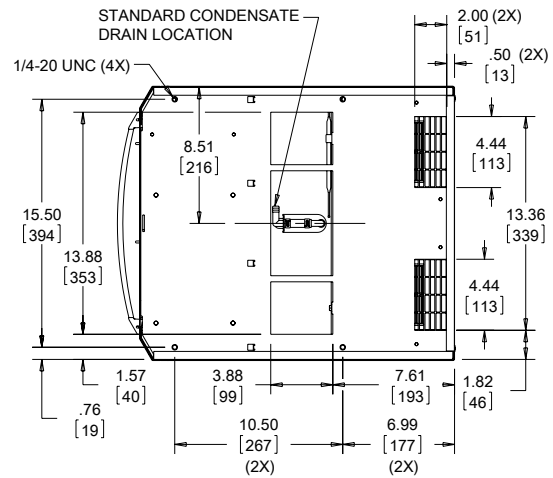
MHB11 Models 2200-4000 BTU/Hr. (645-1172 Watt)



- NOTE:
 1. MOUNTING GASKET SUPPLIED (NOT SHOWN)
 2. UNITS: in. [mm]
 3. CUTOUT DIMENSIONS FOR STANDARD UNITS ONLY



Cutout Dimensions



89045044

Visit nVent.com/HOFFMAN to download 2D and 3D CAD drawings into the overall design of your electrical system.





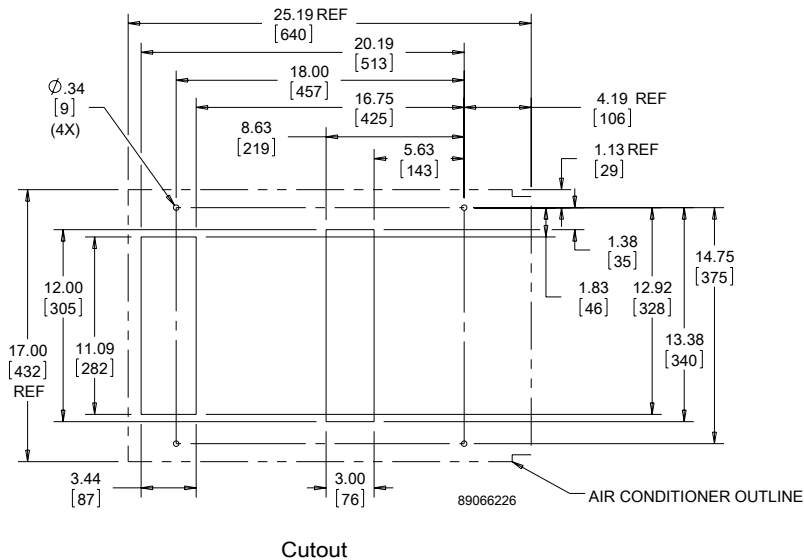
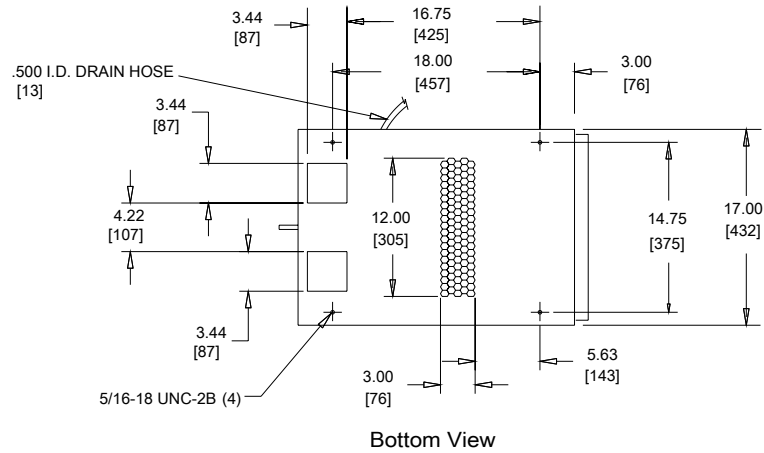
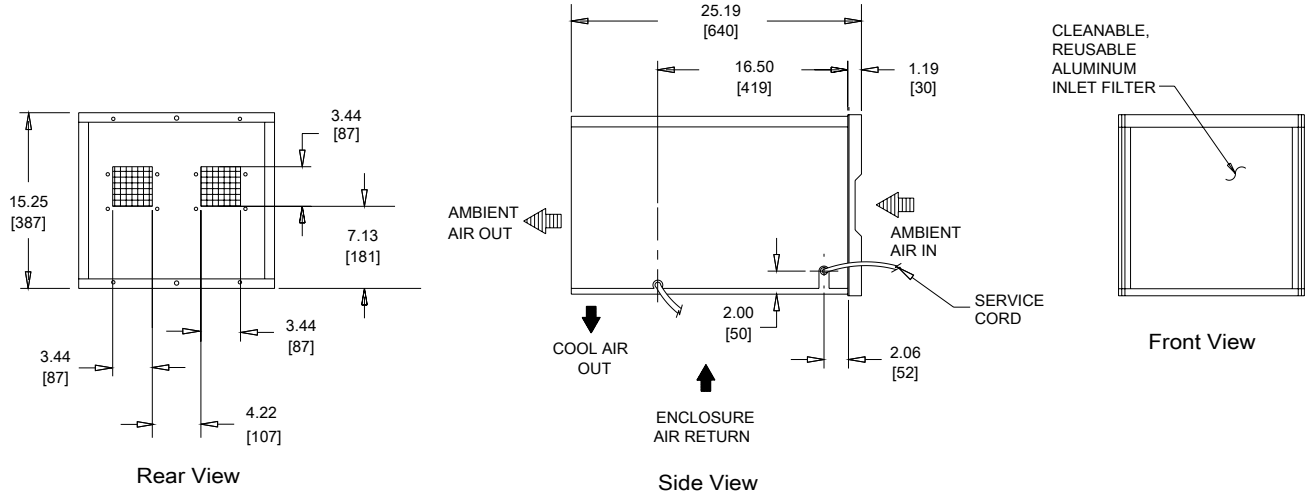
Performance Data **HB16 Models 8000 BTU/Hr. (2051 Watt)**



MODEL NUMBER			
Indoor Model	HB160816G040	HB160826G040	HB160846G040
COOLING PERFORMANCE			
Nominal:			
BTU/Hr.	7000/8000	7000/8000	7000/8000
Watts	2051/2344	2051/2344	2051/2344
At 125 F/125 F (52 C/52 C):			
BTU/Hr. (50/60 Hz)	6975/8137	7075/8133	7075/8133
Watts (50/60 Hz)	2044/2385	2073/2384	2073/2384
At 95 F/95 F (35 C/35 C):			
BTU/Hr. (50/60 Hz)	6959/8236	6958/7774	6958/7774
W (50/60 Hz)	2039/2414	2039/2278	2039/2278
Refrigerant	R-407C	R-407C	R-407C
Refrigerant Charge (ounces/grams)	24/680	24/680	24/680
Operating Temperature Range:			
Maximum (°F/°C)	125/52	125/52	125/52
Minimum (°F/°C)	50/10	50/10	50/10
ELECTRICAL DATA			
Rated Voltage	115	230	460
Frequency (Hz)	50/60	50/60	50/60
Operating Range	+/- 10%	+/- 10%	+/- 10%
Max. Power Consumption (W at 50/60 Hz)	1822/2223	1785/2105	2162
Max. Nominal Current (A at 50/60 Hz)	18.7/20.4	8.5/9.3	4.3/4.7
Starting Current (A)	67	29	15
Agency Approvals		UL/cUL Listed CE EAC	
Power Input Description	6-ft. cord with NEMA 5-20 plug	6-ft. cord with NEMA 5-20 plug	6-ft. cord with NEMA L8-20 plug
ENCLOSURE PROTECTION			
UL Type	Type 12 Standard		
CONTROLLER			
Description	Basic Mechanical Thermostat		
Thermostat Location	Enclosure Side on All Base Models		
Factory Thermostat Setting (°F/°C)	80/27	80/27	80/27
UNIT CONSTRUCTION			
Material	Galvanized Sheet Metal Standard (Optional: Stainless Steel)		
Finish	RAL 7042 gray, semi-gloss powder-coat paint standard Other colors and textures available		
UNIT DIMENSIONS			
Height (in./mm)	15.25/387.35	15.25/387.35	15.25/387.35
Width (in./mm)	17.00/431.80	17.00/431.80	17.00/431.80
Depth (in./mm)	25.19/639.76	25.19/639.76	25.19/639.76
Weight (lb./kg)	145.00/69.78	145.00/69.78	170.00/77.00



HB16 Models 8000 BTUs/Hr. (2051 Watts)



Visit nVent.com/HOFFMAN to download 2D and 3D CAD drawings into the overall design of your electrical system.



PROAIR HARSH ENVIRONMENT


CR23
1600 BTU/Hr.
469 Watt



CR29
2700 and 4000 BTU/Hr.
791 and 1172 Watts



CR43
6000 & 8000 BTU/Hr.
1758 and 2344 Watts

3

INDUSTRY STANDARDS

UL/cUL Listed; Type 12, 3R, 4; 4X optional; File No. SA6453
UR/cUR Recognized

UR/cUR Recognized on select models, reference performance data tables.

CE
EAC

APPLICATION

- Industrial automation
- Package handling equipment
- Food and beverage
- Wastewater treatment
- Security and defense systems
- And more

FEATURES

- Robust reciprocating compressor
- Easy maintenance: hinged front cover allows quick access to all components; condenser coil can be cleaned while unit is still mounted to the cabinet
- R134a or R407c earth-friendly refrigerant
- Models for 115, 230 and 460 single phase VAC power input
- UL Listed or Recognized to save customers time and money with agency approvals
- Operating temperature range from -40 F/-40 C to 131 F/55 C (with optional low-ambient package)
- Attractive industrial design with minimal use of visible fasteners
- Reliable mechanical thermostat located behind the filter of the unit

- Low-carbon mild-steel sheet-metal cover for rugged factory and outdoor environments
- Easy-mount flanges for simple installation
- Cleanable reusable aluminum mesh filter protects coils for maximum cooling performance
- Mounting hardware, gaskets and user manual furnished with the unit
- Every unit functionally tested before shipping
- High-performance fans and blowers designed for densely packed enclosures
- Standard Indoor Air Conditioner models also include:
 - Electro-Mechanical Thermostat
 - Surge Suppressor

FINISH

- RAL 7035 light-gray, semi-textured powder-coat paint standard
- Stainless steel Type 304 or 316 finishes available on Type 4X models
- Other colors and textures available

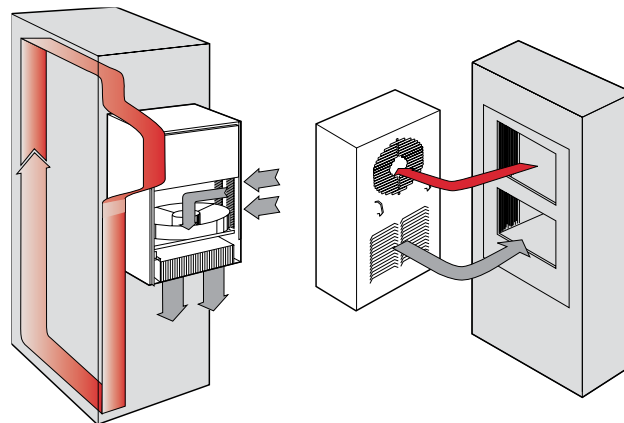
OPTIONS

- Thermostat Malfunction Package
 - Special Voltage Package
 - Outdoor Package*
 - Harsh Environment Package*
 - Stainless Steel Package*
 - Heater Package*
- * T-Series may be more appropriate. Refer to T-Series A/C section. Consult the factory for availability and catalog number.

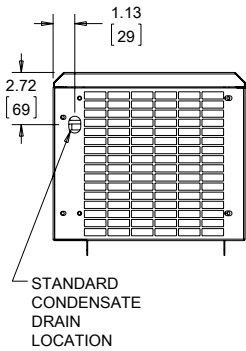
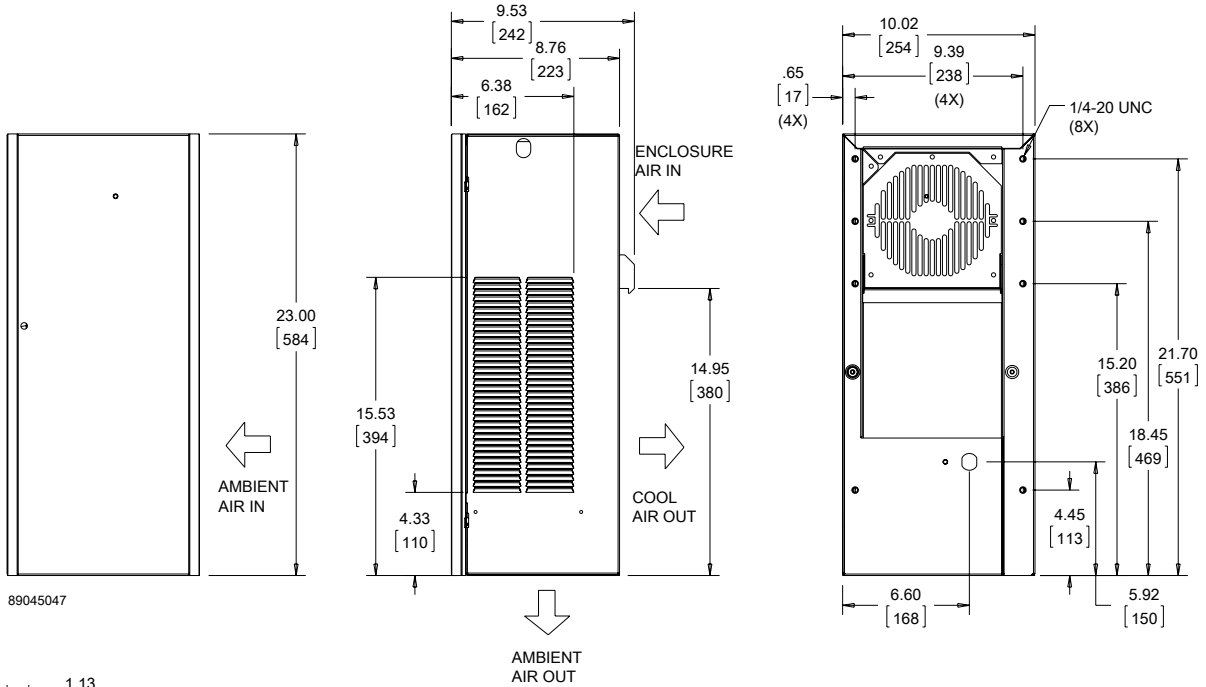
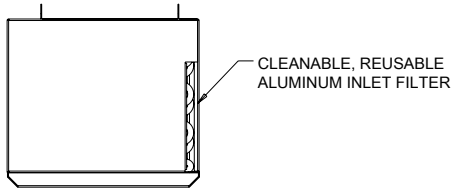


Performance Data CR23 Models 1600 BTU/Hr. (469 Watt)

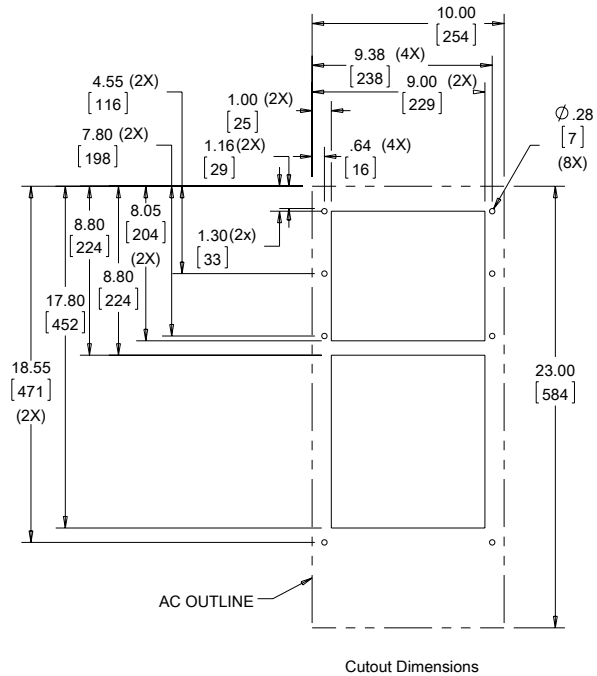
CATALOG NUMBER			
Indoor Model	CR230216G002	CR230226G002	CR230246G400
Indoor Level 2 Controller	CR230216G016	—	—
Outdoor Type 3R	CR230216G013	CR230226G030	—
Outdoor/SST/Corrosion Type 3R	CR230216G007	CR230226G009	—
Outdoor/SST/Level 2 Type 3R	CR230216G017	CR230226G016	—
Indoor/Outdoor/SST/Corrosion Type 4X	CR230216G015	CR230226G014	CR230226G037
COOLING PERFORMANCE			
Nominal:			
BTU/Hr.	1400/1600	1400/1600	1400/1600
Watts	410/469	410/469	410/469
Refrigerant	R-134A	R-134A	R-134A
Refrigerant Charge (ounces/grams)	10/284	10/284	10/284
Operating Temperature Range:			
Maximum (°F/°C)	131/55	131/55	131/55
Minimum (°F/°C) (Low Ambient Pkg)	-40/-40	-40/-40	-40/-40
Airflow at 0 Static Pressure:			
Internal loop 50 Hz (CFM / m ³ /hr.)	117/199	117/199	117/199
External loop 50 Hz (CFM / m ³ /hr.)	86/146	86/146	86/146
Internal loop 60 Hz (CFM / m ³ /hr.)	130/221	130/221	130/221
External loop 60 Hz (CFM / m ³ /hr.)	95/161	95/161	95/161
ELECTRICAL DATA			
Rated Voltage	115	230	460V 1PH
Frequency (Hz)	50/60	50/60	50/60
Operating Range	+/- 10%	+/- 10%	+/- 10%
Max. Power Consumption (W at 50/60 Hz)	471.5/517.5	506	552
Max. Nominal Current (A at 50/60 Hz)	4.1/4.0	2.7/2.5	1.4/1.3
Starting Current (A)	18	13.2	7.7
Agency Approvals	UL/cUL Listed CE EAC		cUR Recognized CE EAC
Power Input Description	6-ft. cord with NEMA 5-15 plug	6-ft. cord with NEMA 6-15 plug	6-ft. cord with wire leads
ENCLOSURE PROTECTION			
UL Type	Type 12, 3R standard Type 4, 4X Stainless steel optional		
CONTROLLER			
Description	Basic mechanical thermostat		
Thermostat Location	Behind cover		
Factory Thermostat Setting (°F/°C)	80/27		
SOUND LEVEL			
At 1.5 Meters	62 dB(A)		
UNIT CONSTRUCTION			
Material	Mild steel sheet metal standard Stainless steel optional		
Finish	RAL 7035 light-gray, semi-textured powder-coat paint standard		
UNIT DIMENSIONS			
Height (in./mm)	23/584		23/584
Width (in./mm)	10/254		10/254
Depth (in./mm)	8.75/222		8.75/222
Weight (lb./kg)	57/26		67/30



CR23 Models 1600 BTU/Hr. (469 Watt)

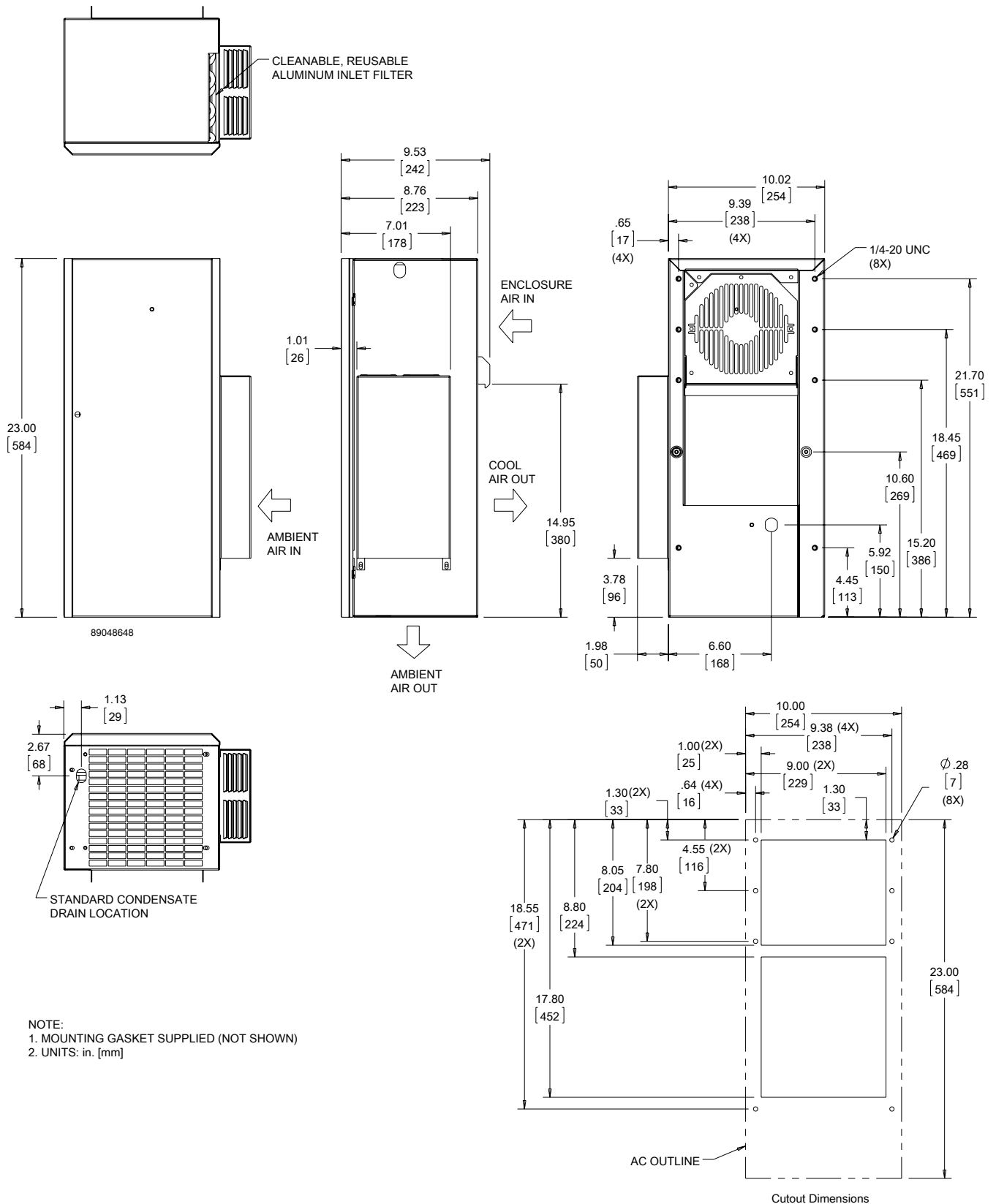


- NOTE:
1. MOUNTING GASKET SUPPLIED (NOT SHOWN)
 2. UNITS: in. [mm]



Visit nVent.com/HOFFMAN to download 2D and 3D CAD drawings into the overall design of your electrical system.

CR23 Models 1600 BTU/Hr. (469 Watt) With Type 4X Hood



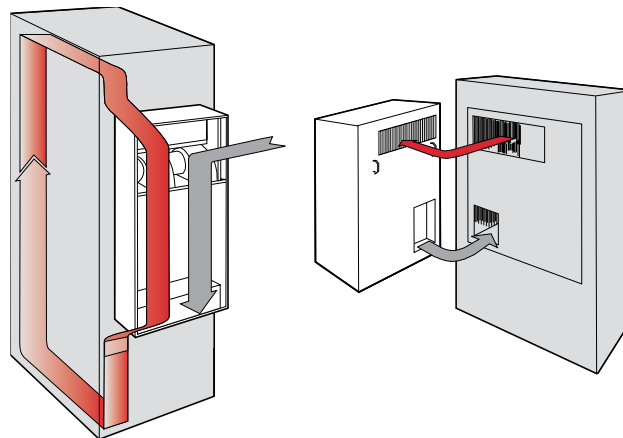
NOTE:
 1. MOUNTING GASKET SUPPLIED (NOT SHOWN)
 2. UNITS: in. [mm]

Visit nVent.com/HOFFMAN to download 2D and 3D CAD drawings into the overall design of your electrical system.

Performance Data CR29 Models 2700/4000 BTU/Hr. (791/1172 Watt)



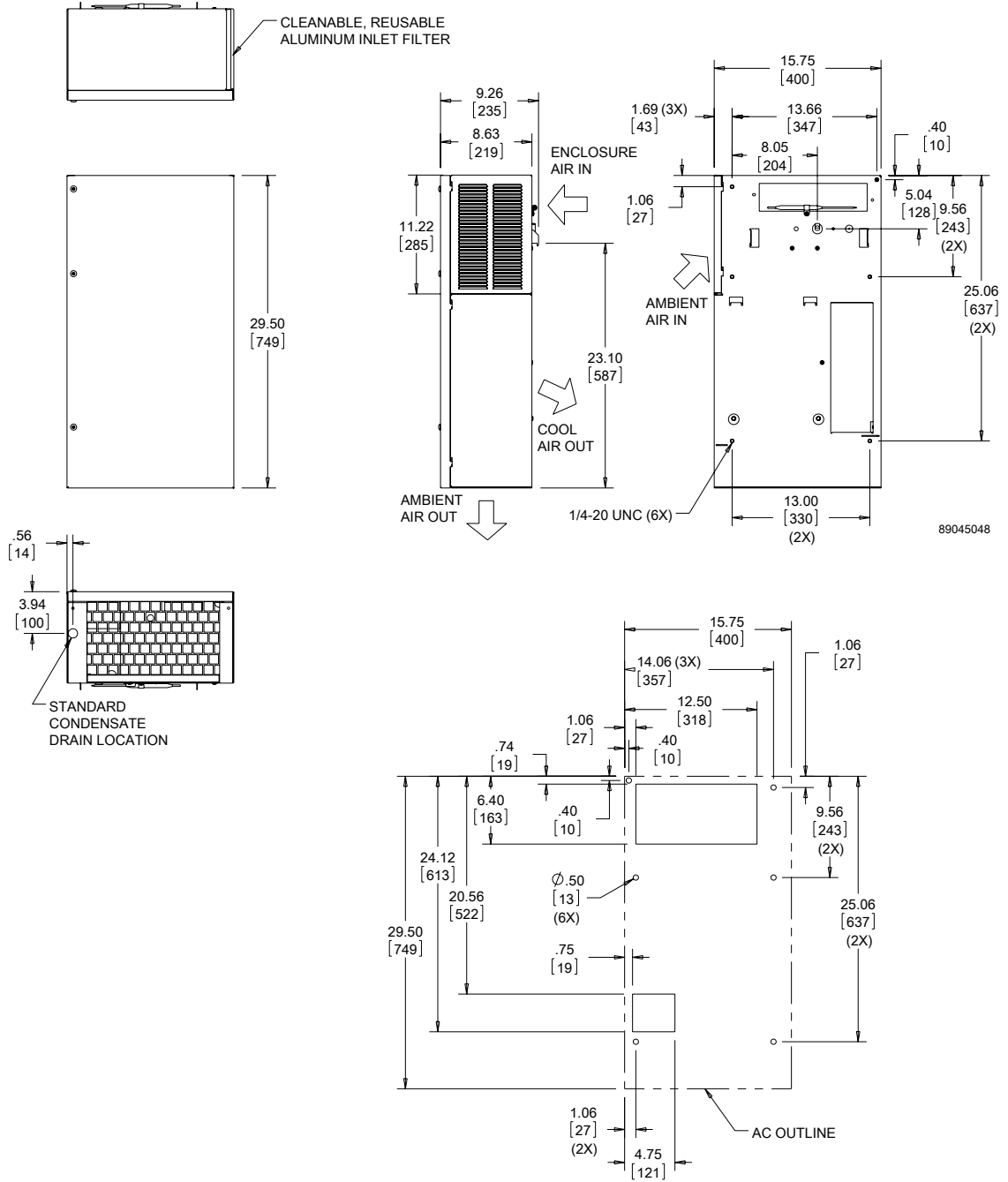
CATALOG NUMBER						
Indoor Model	CR290216G002	CR290226G002	CR290246G400	CR290416G002	CR290426G002	CR290446G400
Indoor Level 2 Controller	CR290216G030	CR290226G030	CR290226G041	CR290416G047	CR290426G027	—
Outdoor Type 3R	CR290216G035	CR290226G020	—	CR290416G045	CR290426G022	—
Outdoor/SST/Corrosion Type 3R	CR290216G013	CR290226G010	CR290246G401	CR290416G030	CR290426G017	—
Outdoor/SST/Level 2 Type 3R	—	—	CR290226G058	CR290416G052	—	CR290426G101
Indoor/Outdoor/SST/Corrosion Type 4X	CR290216G036	CR290226G037	CR290226G045	CR290416G068	CR290426G054	CR290426G061
COOLING PERFORMANCE						
Nominal:						
BTU/Hr.	2600/3000	2600/2700	2600/2700	3500/4000	3500/4000	3500/4000
Watts	761/879	761/791	761/791	1025/1172	1025/1172	1026/1172
Refrigerant	R-134A	R-134A	R-134A	R-134A	R-134A	R-134A
Refrigerant Charge (ounces/grams)	11/312	11/312	11/312	11/312	11/312	11/312
Operating Temperature Range:						
Maximum (°F/°C)	131/55	131/55	131/55	131/55	131/55	131/55
Minimum (°F/°C) (Low Ambient Pkg)	-40/-40	-40/-40	-40/-40	-40/-40	-40/-40	-40/-40
Airflow at 0 Static Pressure:						
Internal loop 50 Hz (CFM / m ³ /hr.)	141/239	141/239	141/239	141/239	141/239	141/239
External loop 50 Hz (CFM / m ³ /hr.)	235/399	235/399	235/399	235/399	235/399	235/399
Internal loop 60 Hz (CFM / m ³ /hr.)	157/266	157/266	157/266	157/266	157/266	157/266
External loop 60 Hz (CFM / m ³ /hr.)	261/443	261/443	261/443	261/443	261/443	261/443
ELECTRICAL DATA						
Rated Voltage	115	230	460V 1PH	115	230	460V 1PH
Frequency (Hz)	50/60	50/60	50/60	50/60	50/60	50/60
Operating Range	+/- 10%	+/- 10%	+/- 10%	+/- 10%	+/- 10%	+/- 10%
Max. Power Consumption (W at 50/60 Hz)	1058/897	851/828	920/874	1116/1253	1081/1127	1104/1150
Max. Nominal Current (A at 50/60 Hz)	9.2/7.8	3.7/3.6	2.0/1.9	12.7/12.1	4.7/4.9	2.4/2.5
Starting Current (A)	31.5	15	7.7	44.5	18	9
Agency Approvals	UL/cUL Listed CE EAC		cUR Recognized CE EAC	UL/cUL Listed CE EAC		cUR Recognized CE EAC
Power Input Description	6-ft. cord with NEMA 5-15 plug	6-ft. cord with NEMA 6-15 plug	6-ft. cord with wire leads	6-ft. cord with NEMA 5-20 plug	6-ft. cord with NEMA 6-15 plug	6-ft. cord with wire leads
ENCLOSURE PROTECTION						
UL Type	Type 12, 3R standard Type 4, 4X Stainless steel optional			Type 12, 3R standard 4, 4X Stainless steel optional		
CONTROLLER						
Description	Basic mechanical thermostat			Basic mechanical thermostat		
Thermostat Location	Behind cover			Behind cover		
Factory Thermostat Setting (°F/°C)	80/27			80/27		
SOUND LEVEL						
At 1.5 Meters	68 dB(A)			68 dB(A)		
UNIT CONSTRUCTION						
Material	Mild steel sheet metal standard Stainless steel optional			Mild steel sheet metal standard Stainless steel optional		
Finish	RAL 7035 light-gray, semi-textured powder-coat paint standard			RAL 7035 light-gray, semi-textured powder-coat paint standard		
UNIT DIMENSIONS						
Height (in./mm)	29.5/749			29.5/749		
Width (in./mm)	15.75/400			15.75/400		
Depth (in./mm)	8.63/219			8.63/219		
Weight (lb./kg)	98/44	98/44	108/49	118/54	118/54	128/58



CR29 Models 2700/4000 BTU/Hr. (791/1172 Watt)



- NOTE:
 1. MOUNTING GASKET SUPPLIED (NOT SHOWN)
 2. UNITS: in. [mm]

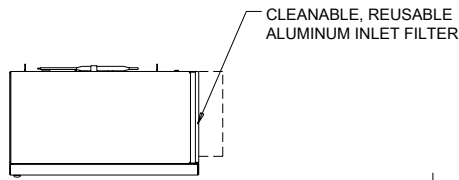


Cutout Dimensions

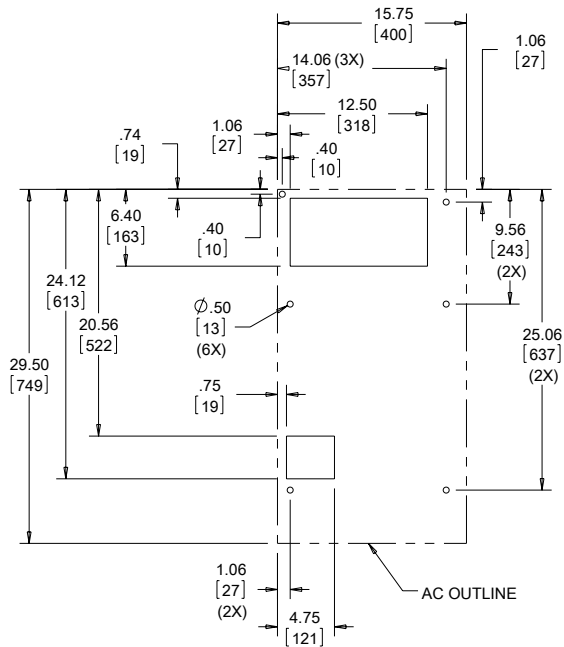
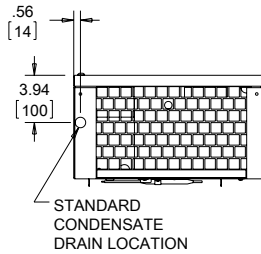
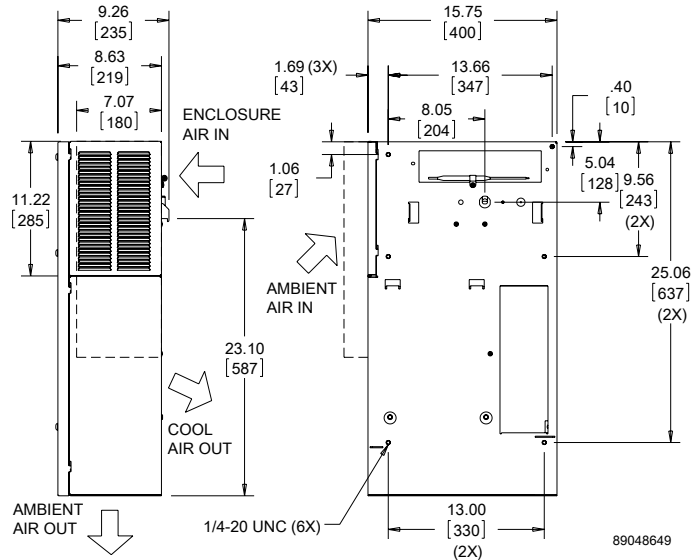
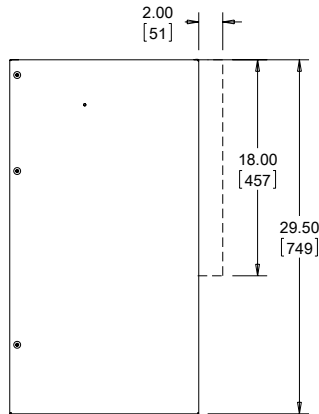
Visit nVent.com/HOFFMAN to download 2D and 3D CAD drawings into the overall design of your electrical system.



CR29 Models 2700/4000 BTU/Hr. (791/1172 Watt) With Type 4X Hood



NOTE:
1. MOUNTING GASKET SUPPLIED (NOT SHOWN)
2. UNITS: in. [mm]



Cutout Dimensions

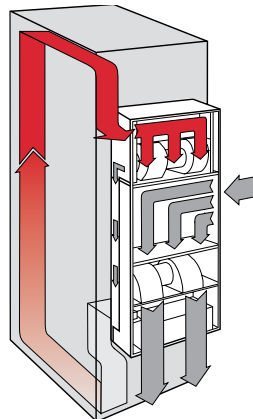
Visit nVent.com/HOFFMAN to download 2D and 3D CAD drawings into the overall design of your electrical system.



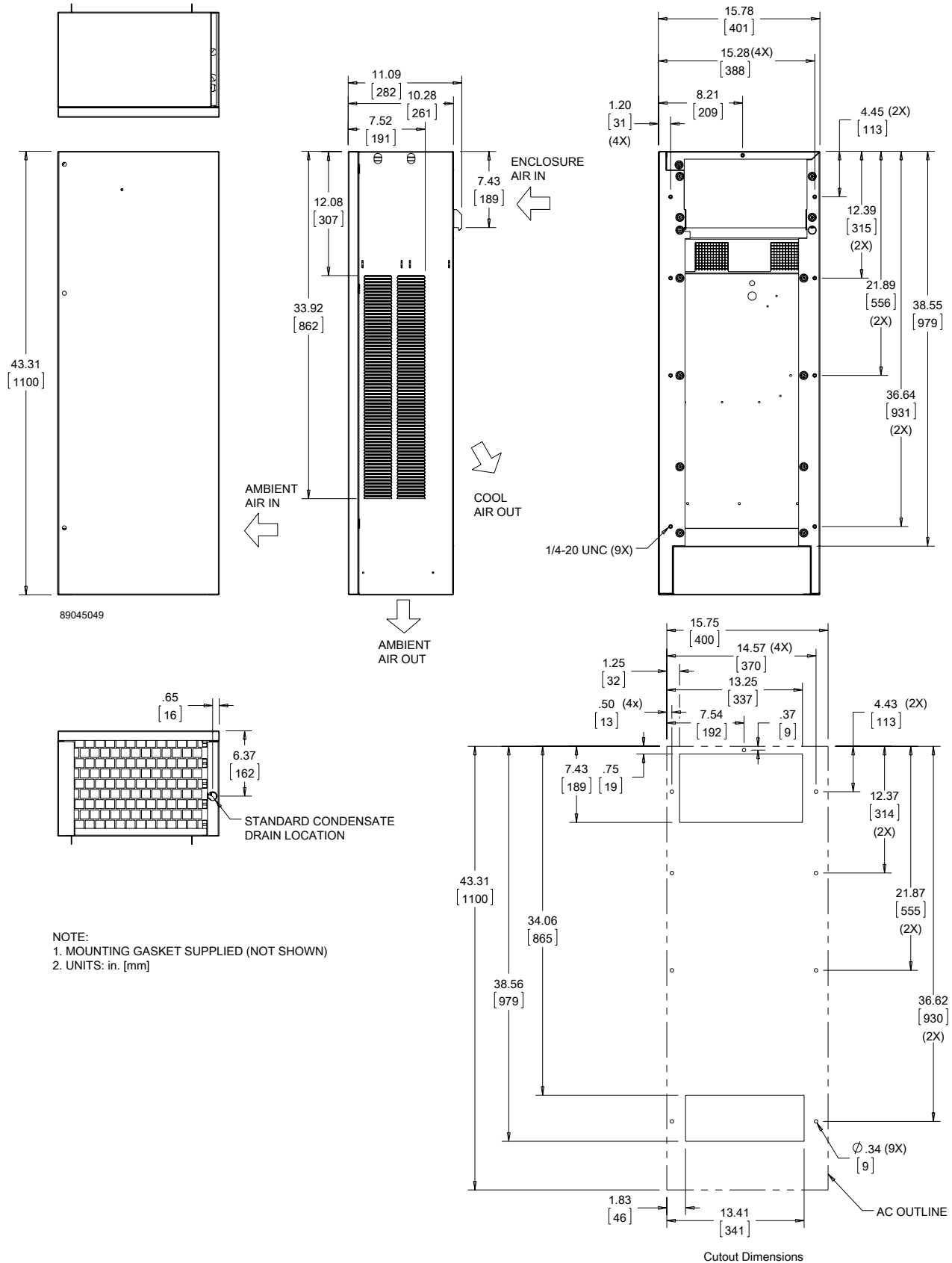


Performance Data **CR43 Models 6000/8000 BTU/Hr. (1758/2344 Watt)**

CATALOG NUMBER						
Indoor Model	CR430616G002	CR430626G002	CR430646G004	CR430816G002	CR430826G002	CR430826G089
Indoor Level 2 Controller	CR430616G016	CR430626G018	CR430626G030	CR430816G021	CR430826G026	—
Outdoor Type 3R	CR430616G013	CR430626G014	—	CR430816G038	CR430826G007	—
Outdoor/SST/Corrosion Type 3R	CR430616G004	—	—	CR430816G010	CR430826G037	—
Outdoor/SST/Level 2 Type 3R	—	CR430626G020	—	CR430816G023	CR430826G024	—
Indoor/Outdoor/SST/Corrosion Type 4X	CR430616G031	CR430626G034	CR430626G074	CR430816G036	CR430826G038	CR430846G401
COOLING PERFORMANCE						
Nominal:						
BTU/Hr.	5500/6000	5500/6000	5500/6000	7100/8000	7100/8000	7100/8000
Watts	1611/1758	1611/1758	1611/1758	2080/2344	2080/2344	2080/2344
Refrigerant	R-134A	R-134A	R-134A	R-134A	R-134A	R-134A
Refrigerant Charge (ounces/grams)	19/538	19/538	19/538	19/538	19/538	19/538
Operating Temperature Range:						
Maximum (°F/°C)	131/55	131/55	131/55	131/55	131/55	131/55
Minimum (°F/°C) (Low Ambient Pkg.)	-40/-40	-40/-40	-40/-40	-40/-40	-40/-40	-40/-40
Airflow at 0 Static Pressure:						
Internal loop 50 Hz (CFM / m ³ /hr.)	320/543	226/384	226/384	320/543	226/384	226/384
External loop 50 Hz (CFM / m ³ /hr.)	480/815	470/798	470/798	480/815	470/798	470/798
Internal loop 60 Hz (CFM / m ³ /hr.)	368/625	255/433	255/433	368/625	255/433	255/433
External loop 60 Hz (CFM / m ³ /hr.)	544/924	540/917	540/917	544/924	540/917	540/917
ELECTRICAL DATA						
Rated Voltage	115	230	460V 1PH	115	230	460V 1PH
Frequency (Hz)	50/60	50/60	50/60	50/60	50/60	50/60
Operating Range	+/- 10%	+/- 10%	+/- 10%	+/- 10%	+/- 10%	+/- 10%
Max. Power Consumption (W at 50/60 Hz)	1460	1403/1518	1564/1656	1460	1403/1518	1564/1656
Max. Nominal Current (A at 50/60 Hz)	12.7	6.1/6.6	3.4/3.6	12.7	6.1/6.6	3.4/3.6
Starting Current (A)	48.3	27	14	48.3	27	14
Agency Approvals	UL/cUL Listed CE EAC		cUR Recognized CE EAC	UL/cUL Listed CE EAC		cUR Recognized CE EAC
	Others available upon request			Others available upon request		
Power Input Description	6-ft. cord with NEMA 5-20 plug	6-ft. cord with NEMA 6-15 plug	6-ft. cord with wire leads	6-ft. cord with NEMA 5-20 plug	6-ft. cord with NEMA 6-15 plug	6-ft. cord with wire leads
ENCLOSURE PROTECTION						
UL Type	Type 12, 3R standard Type 4, 4X Stainless steel optional			Type 12, 3R standard 4, 4X Stainless steel optional		
CONTROLLER						
Description	Basic mechanical thermostat			Basic mechanical thermostat		
Thermostat Location	Enclosure side on all base models			Enclosure side on all base models		
Factory Thermostat Setting (°F/°C)	80/27			80/27		
SOUND LEVEL						
At 1.5 Meters	71 dB(A)			71 dB(A)		
UNIT CONSTRUCTION						
Material	Galvanized sheet metal standard Stainless steel optional			Galvanized sheet metal standard Stainless steel optional		
Finish	RAL 7035 light-gray, semi-textured powder-coat paint standard			RAL 7035 light-gray, semi-textured powder-coat paint standard		
UNIT DIMENSIONS						
Height (in./mm)	43.31/1100			43.31/1100		
Width (in./mm)	15.75/400			15.75/400		
Depth (in./mm)	10.25/260			10.25/260		
Weight (lb./kg)	125/57	125/57	155/70	125/57	125/57	155/70



CR43 Models 6000/8000 BTU/Hr. (1758/2344 Watt)

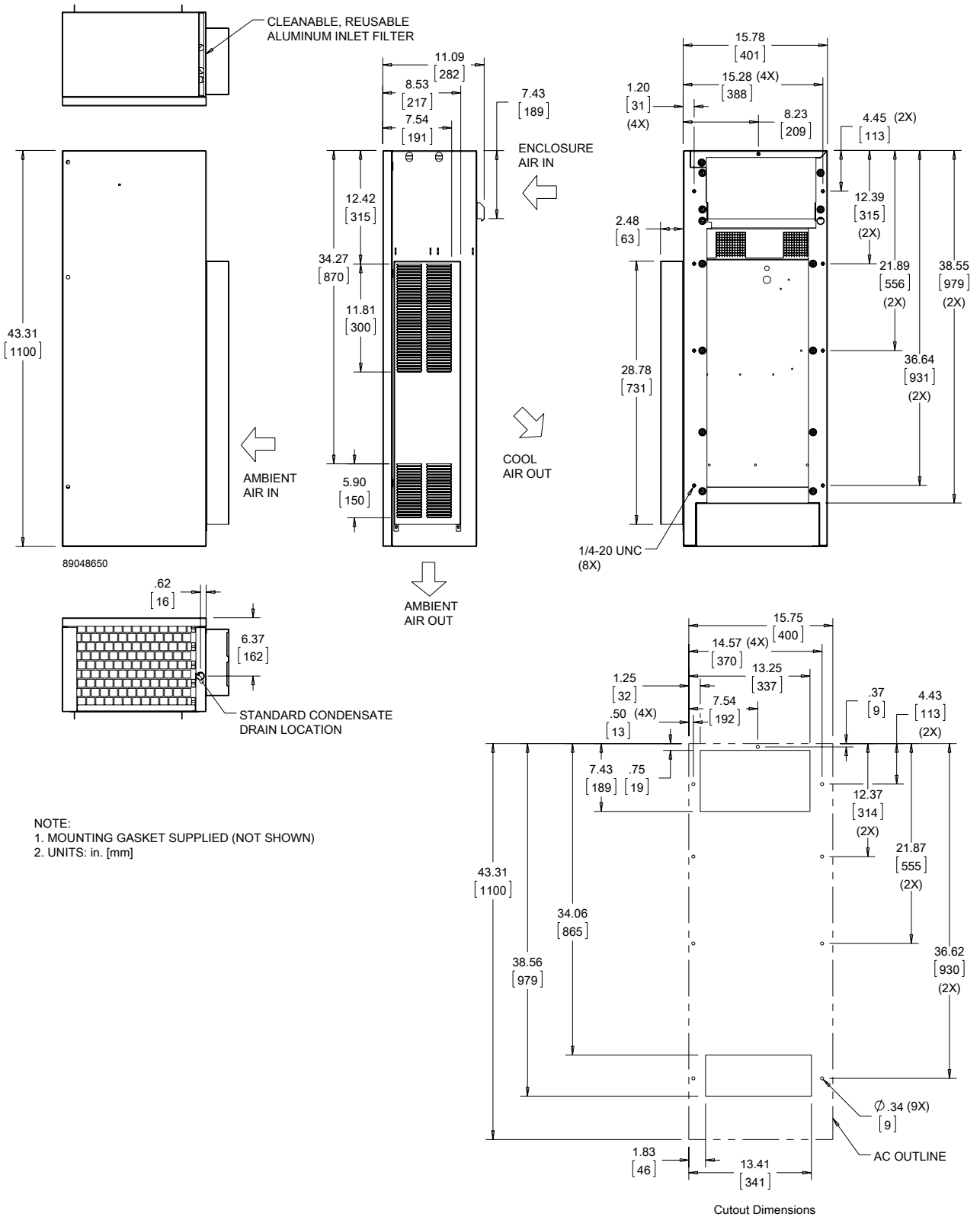


NOTE:
 1. MOUNTING GASKET SUPPLIED (NOT SHOWN)
 2. UNITS: in. [mm]

Cutout Dimensions

Visit nVent.com/HOFFMAN to download 2D and 3D CAD drawings into the overall design of your electrical system.

CR43 Models 6000/8000 BTU/Hr. (1758/2344 Watt) With Type 4X Hood



Visit nVent.com/HOFFMAN to download 2D and 3D CAD drawings into the overall design of your electrical system.

WATER-COOLED INDOOR/OUTDOOR



CR43WC
8000 BTU/Hr.
2345 Watt

FEATURES

- Robust reciprocating compressor
- R134a earth-friendly refrigerant
- Models for 115 and 230 VAC power input
- UL Listed or Recognized to save customers time and money with agency approvals
- Operating temperature range from 50 F/10 C to 125 F/52 C
- Attractive industrial design with minimal use of visible fasteners
- Reliable mechanical thermostat located behind the front panel of the unit
- Low-carbon mild-steel sheet-metal cover for rugged factory and outdoor environments
- Easy-mount flanges for simple installation
- Mounting hardware, gaskets and user manual furnished with the unit
- Every unit functionally tested before shipping
- Heat is removed from the system by means of the water cooling the refrigerant; no external air movers or condenser coils to get clogged
- Maximum water usage of 2 GPM at 90 F water intake temperature
- Standard Indoor Air Conditioner models also include:
 - Electro-Mechanical Thermostat
 - Surge Suppressor

FINISH

- RAL 7035 light-gray, semi-textured powder-coat paint standard
- Stainless steel Type 304 or 316 finishes available on Type 4X models
- Other colors and textures available

OPTIONS

- Thermostat Malfunction Package
 - Special Voltage Package
 - Active Condensate Evaporator Package
 - Harsh Environment Package*
 - Stainless Steel Package*
- * Consult the factory for availability and catalog number.

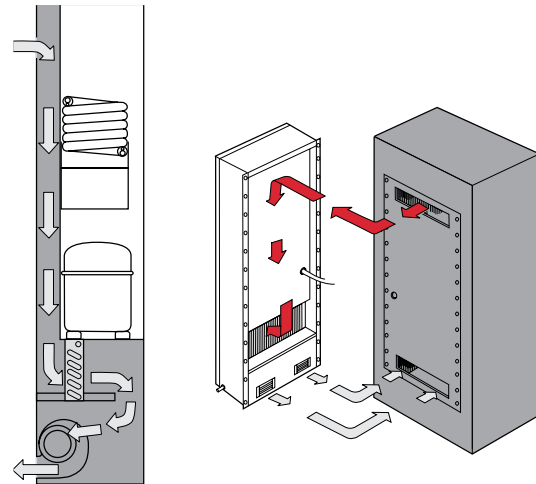
INDUSTRY STANDARDS

UL/cUL Listed; Type 4; 4X optional; File No. SA6453
UR/cUR Recognized

UR/cUR Recognized on select models, reference performance data tables.
CE
EAC

APPLICATION

- Industrial automation
- Package handling equipment
- Food and beverage
- Wastewater treatment
- Security and defense systems
- Pulp and paper
- And more



CR43WC

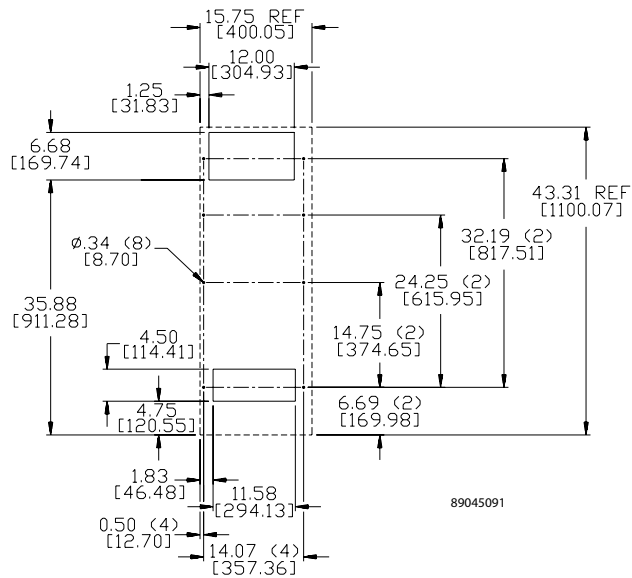
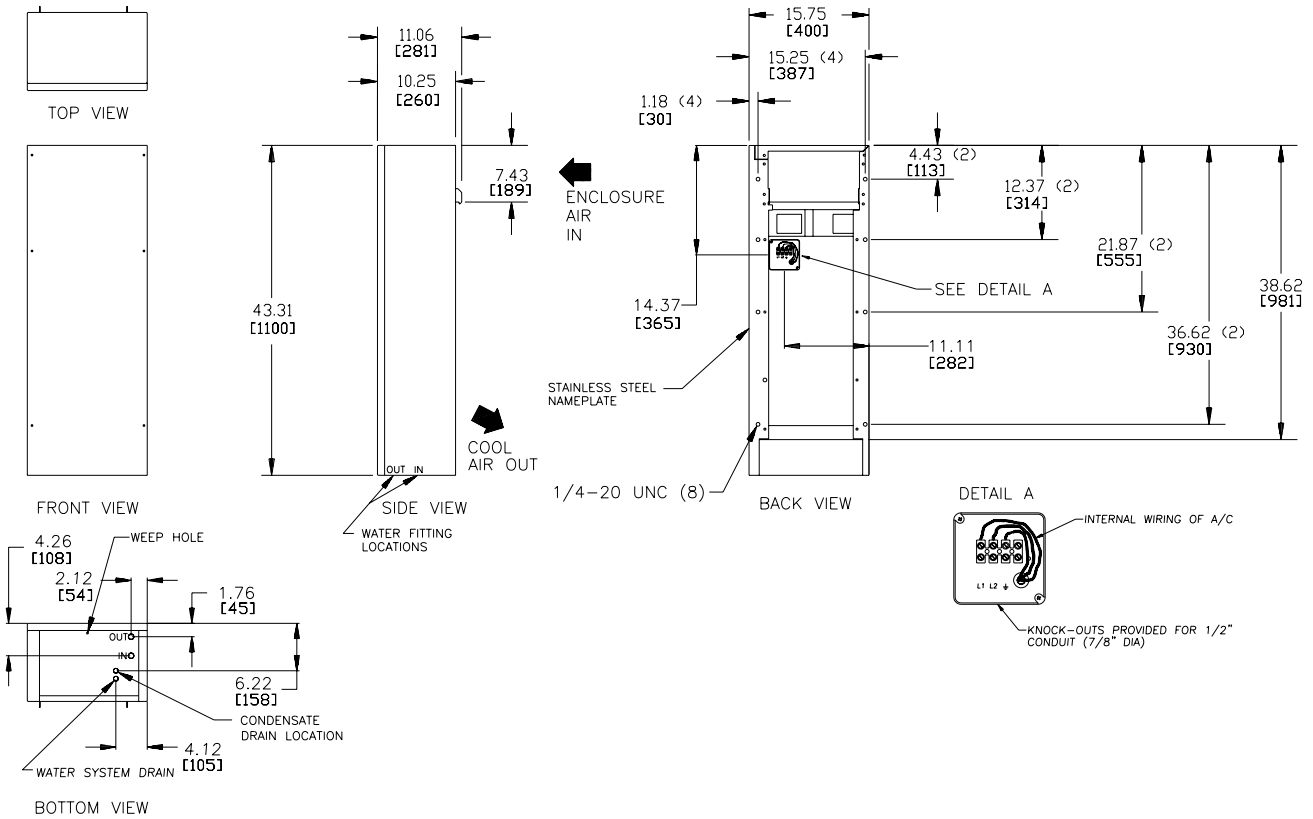
Performance Data **CR43WC Models 8000 BTU/Hr. (2345 Watt)**



CATALOG NUMBER		
Indoor/Outdoor Model	CR430816GW010	CR430826GW010
COOLING PERFORMANCE		
Nominal:		
BTU/Hr.	8500	8500
Watts	2490	2490
Refrigerant	R-134A	R-134A
Refrigerant Charge (ounces/grams)	12/341	12/341
Operating Temperature Range:		
Maximum (°F/°C)	131/55	131/55
Minimum (°F/°C)	50/10	50/10
Airflow at 0 Static Pressure:		
Internal loop 50 Hz (CFM / m ³ /hr.)	135/229	100/170
External loop 50 Hz	Waterflow: 1.5 GPM @ 90F	Waterflow: 1.5 GPM @ 90F
Internal loop 60 Hz (CFM / m ³ /hr.)	145/246	110/187
External loop 60 Hz	Waterflow: 1.5 GPM @ 90F	Waterflow: 1.5 GPM @ 90F
ELECTRICAL DATA		
Rated Voltage	115	230
Frequency (Hz)	50/60	50/60
Operating Range	+/- 10%	+/- 10%
Max. Power Consumption (W at 50 / 60 Hz)	1518/1495	1518/1495
Max. Nominal Current (A at 50 / 60 Hz)	13.2/13	6.6/6.5
Starting Current (A)	48.3	27
Agency Approvals	UL/cUL Listed CE EAC	
Power Input Description	6-ft. cord with NEMA 5-15 plug	6-ft. cord with NEMA 6-15 plug
ENCLOSURE PROTECTION		
UL Type	Type 4 standard Type 4X Stainless steel optional	
CONTROLLER		
Description	Basic mechanical thermostat	
Thermostat Location	Behind front cover	
Factory Thermostat Setting (°F/°C)	80/27	
SOUND LEVEL		
At 1.5 Meters	61 dB(A)	
UNIT CONSTRUCTION		
Material	Mild steel sheet metal standard Stainless steel optional	
Finish	RAL 7035 light-gray, semi-textured powder-coat paint standard	
UNIT DIMENSIONS		
Height (in./mm)	43.31/1100	
Width (in./mm)	15.75/400	
Depth (in./mm)	10.25/260.4	
Weight (lb./kg)	86/39	



CR43WC Models 8000 BTU/Hr. (2345 Watt)



Cutout Dimensions

Visit nVent.com/HOFFMAN to download 2D and 3D CAD drawings into the overall design of your electrical system.



Notes



CLIMAGUARD AIR-TO-AIR INDOOR



XR20 Models 4 W/°F (7 W/°C)	XR29-08 Models 8 W/°F (14 W/°C)	XR29-18 Models 18 W/°F (32 W/°C)	XR47-24 Models 24 W/°F (43 W/°C)	XR47-35 Models 35 W/°F (63 W/°C)	XR60-55 Models 55 W/°F (99 W/°C)	XR60-84 Models 84 W/°F (151 W/°C)
--	--	---	---	---	---	--



INDUSTRY STANDARDS

UL/cUL Listed; Type 12; File No. SA7402
UR/cUR Recognized

Type 12 on XR20 and XR29-08 models
Type 3R on XR29-18 and larger models when surface mounted vertically on an enclosure
CE
EAC

APPLICATION

- Industrial automation
- Package handling equipment
- Security and defense systems
- And more

FEATURES

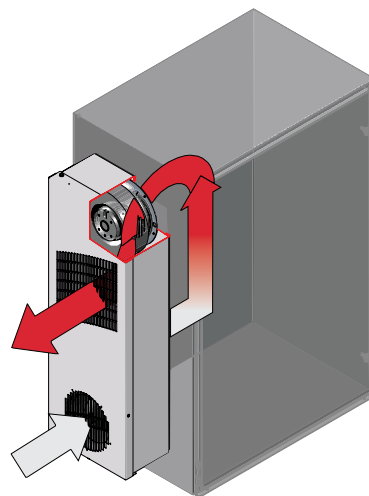
- Unique counterflow aluminum core for high-efficiency and high-performance heat transfer, except for the XR20 and XR29-08 which use a modified heat pipe core
- Models for 115 and 230 VAC power input
- UL Listed or Recognized to save customers time and money with agency approvals
- Operating temperature range from -20 F/-29 C to 140 F/60 C
- Streamlined aesthetics with no visible mounting rails; Slim design allows for mounting to narrow or shallow enclosures
- Reliable top-quality bearing fans and impellers make these units run quietly and with increased reliability
- Low-carbon mild-steel sheet-metal cover for rugged factory environments
- Easy-mount flanges for simple installation
- Mounting hardware, gaskets and user manual furnished with the unit
- Every unit functionally tested before shipping
- Filterless design for low maintenance and easy cleaning
- Four fasteners allow simple removal of front cover for easy access

FINISH

- RAL 7035 light-gray, semi-textured powder-coat paint standard
- Stainless steel Type 304 or 316 finishes available
- Other colors and textures available

OPTIONS

- Special Voltage Package
 - Outdoor Package*
 - Stainless Steel Package*
- * CLIMAGUARD may be more appropriate. Refer to CLIMAGUARD Air-to-Air Outdoor chapter. Consult the factory for availability and catalog number.

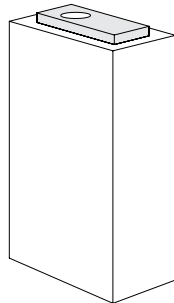


Performance Data **XR20 Models 4 W/°F (7 W/°C)**

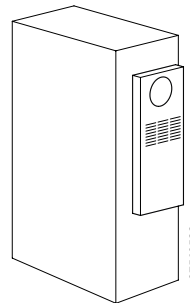
CATALOG NUMBER		
	XR200416012	XR200426012
COOLING PERFORMANCE		
Nominal:		
W per °F	4	4
W per °C	7	7
Refrigerant	R-134A	R-134A
Refrigerant Charge (ounces/grams)	4/113	4/113
Operating Temperature Range:		
Maximum (°F/°C)	140/60	140/60
Minimum (°F/°C)	-20/-29	-20/-29
Airflow at 0 Static Pressure:		
Internal loop 50 Hz (CFM / m ³ /hr.)	71/121	71/121
External loop 50 Hz (CFM / m ³ /hr.)	75/127	75/127
Internal loop 60 Hz (CFM / m ³ /hr.)	74/126	74/126
External loop 60 Hz (CFM / m ³ /hr.)	78/132	78/132
ELECTRICAL DATA		
Rated Voltage	115	230
Frequency (Hz)	50/60	50/60
Operating Range	+/- 10%	+/- 10%
Max. Power Consumption (W at 50/60 Hz)	69	69
Max. Nominal Current (A at 50/60 Hz)	0.6	0.3
Agency Approvals	UL/cUL Listed CE EAC	
Power Input Description	Terminal Block	Terminal Block
ENCLOSURE PROTECTION		
UL Type	Type 12 standard	
SOUND LEVEL		
At 1.5 Meters	56 dBA	
UNIT CONSTRUCTION		
Material	Mild steel sheet metal standard Stainless steel optional	
Finish	RAL 7035 light-gray, semi-textured powder-coat paint standard	
UNIT DIMENSIONS		
Height (in./mm)	20/508	20/508
Width (in./mm)	7.5/190.5	7.5/190.5
Depth (in./mm)	3/76.2	3/76.2
Weight (lb./kg)	12/5.4	12/5.4



Mounting Options



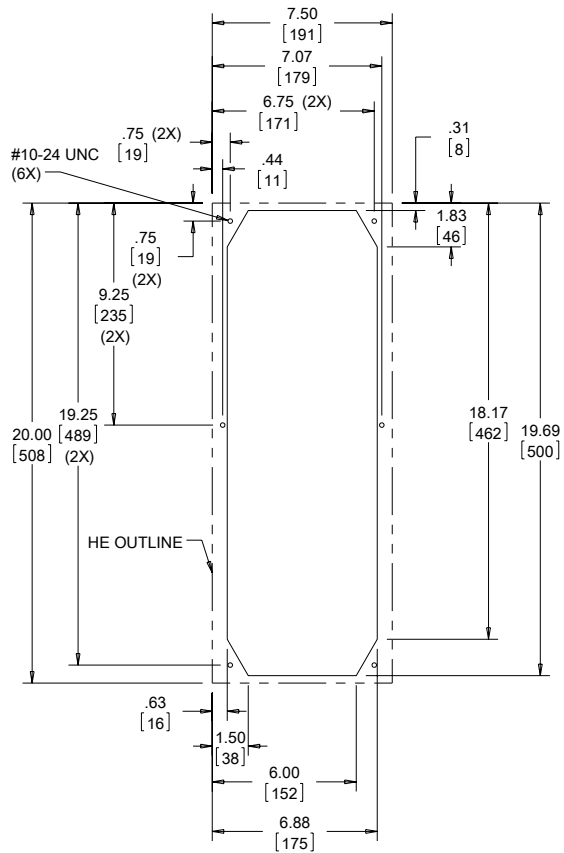
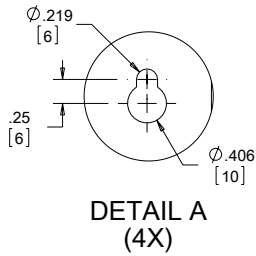
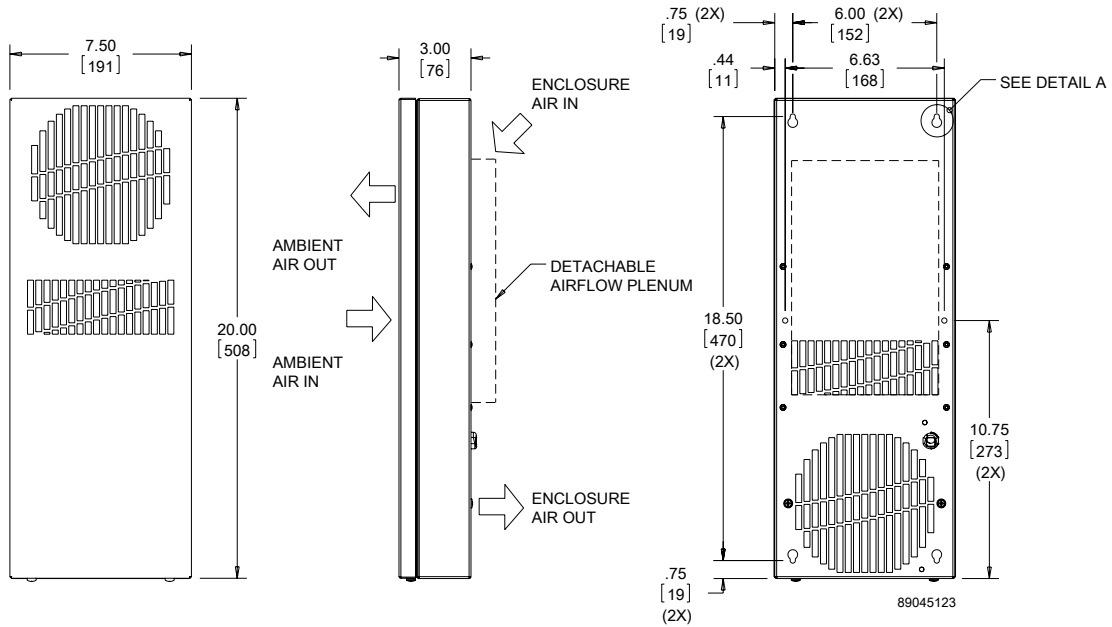
External
Top-Mount



External
Vertical-Mount

87569532

XR20 Models 4 W/°F (7 W/°C)



Cutout Dimensions

NOTE:
 1. MOUNTING GASKET SUPPLIED (NOT SHOWN)
 2. UNITS: in [mm]

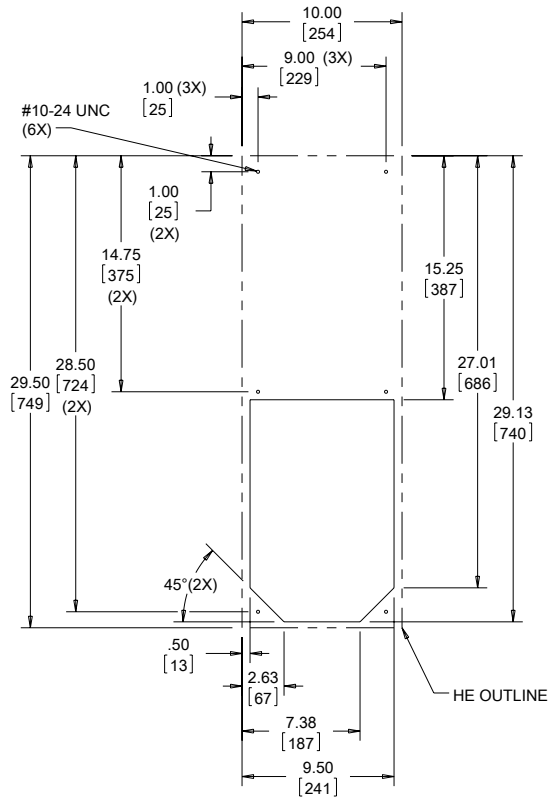
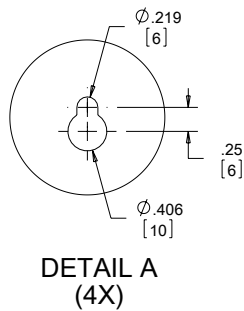
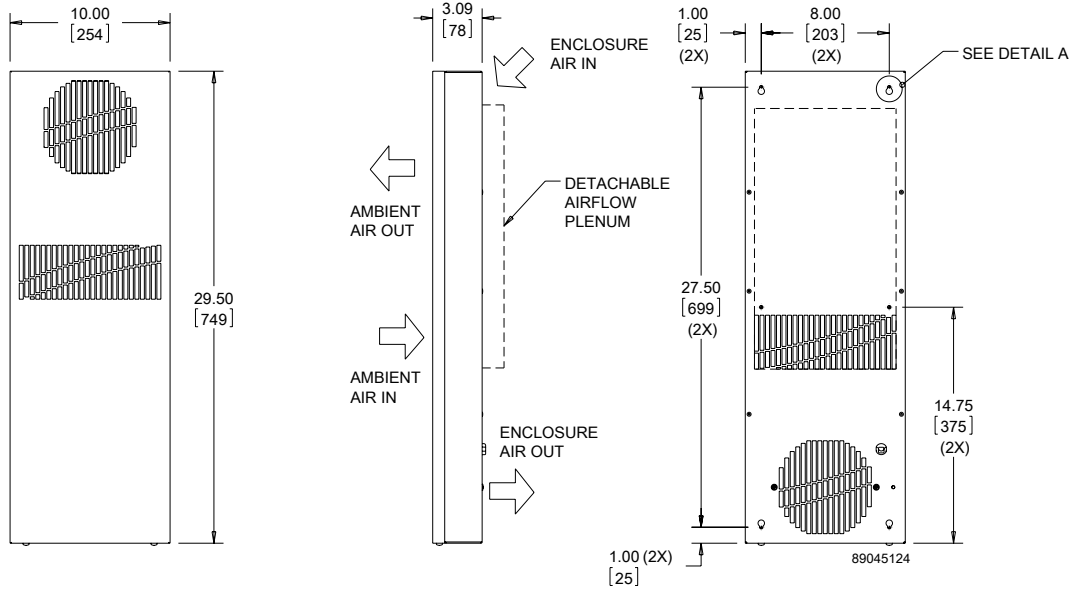
Visit nVent.com/HOFFMAN to download 2D and 3D CAD drawings into the overall design of your electrical system.

Performance Data **XR29 Models 8 W/°F (14 W/°C)**

CATALOG NUMBER		
	XR290816012	XR290826012
COOLING PERFORMANCE		
Nominal:		
W per °F	8	8
W per °C	14	14
Refrigerant	R-134A	R-134A
Refrigerant Charge (ounces/grams)	5.5/156	5.5/156
Operating Temperature Range:		
Maximum (°F/°C)	140/60	140/60
Minimum (°F/°C)	-20/-29	-20/-29
Airflow at 0 Static Pressure:		
Internal loop 50 Hz (CFM / m ³ /hr.)	71/121	71/121
External loop 50 Hz (CFM / m ³ /hr.)	75/127	75/127
Internal loop 60 Hz (CFM / m ³ /hr.)	74/126	74/126
External loop 60 Hz (CFM / m ³ /hr.)	78/132	78/132
ELECTRICAL DATA		
Rated Voltage	115	230
Frequency (Hz)	50/60	50/60
Operating Range	+/- 10%	+/- 10%
Max. Power Consumption (W at 50/60 Hz)	69	69
Max. Nominal Current (A at 50/60 Hz)	0.6	0.3
Agency Approvals	UL/cUL Listed CE EAC	
Power Input Description	Terminal Block	Terminal Block
ENCLOSURE PROTECTION		
UL Type	Type 12 standard	
SOUND LEVEL		
At 1.5 Meters	56 dBA	
UNIT CONSTRUCTION		
Material	Mild steel sheet metal standard Stainless steel optional	
Finish	RAL 7035 light-gray, semi-textured powder-coat paint standard	
UNIT DIMENSIONS		
Height (in./mm)	29.5/749.3	29.5/749.3
Width (in./mm)	10/254	10/254
Depth (in./mm)	3.09/78.5	3.09/78.5
Weight (lb./kg)	21/9.5	21/9.5



XR29 Models 8 W/°F (14 W/°C)



NOTE:
 1. MOUNTING GASKET SUPPLIED (NOT SHOWN)
 2. UNITS: in [mm]

Cutout Dimensions

Visit nVent.com/HOFFMAN to download 2D and 3D CAD drawings into the overall design of your electrical system.

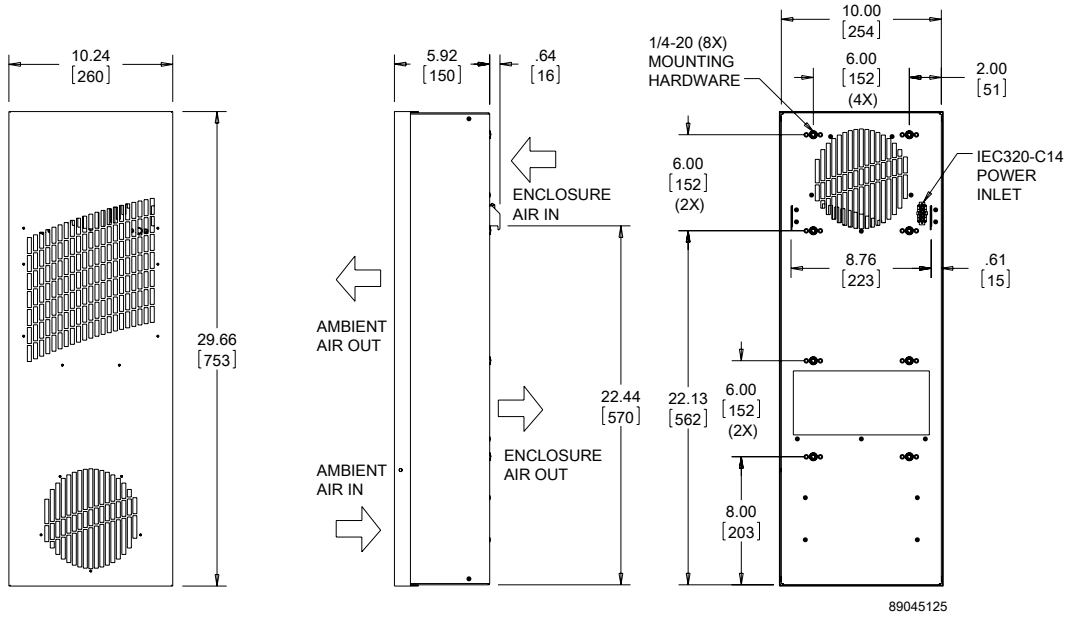


Performance Data **XR29 Models 18 W/°F (32 W/°C)**

CATALOG NUMBER		
	XR291816012	XR291826012
COOLING PERFORMANCE		
Nominal:		
W per °F	18	18
W per °C	32	32
Refrigerant	N/A	N/A
Refrigerant Charge (ounces/grams)	N/A	N/A
Operating Temperature Range:		
Maximum (°F/°C)	140/60	140/60
Minimum (°F/°C)	-20/-29	-20/-29
Airflow at 0 Static Pressure:		
Internal loop 50 Hz (CFM / m ³ /hr.)	126/214	126/214
External loop 50 Hz (CFM / m ³ /hr.)	120/204	120/204
Internal loop 60 Hz (CFM / m ³ /hr.)	140/237	140/237
External loop 60 Hz (CFM / m ³ /hr.)	133/226	133/226
ELECTRICAL DATA		
Rated Voltage	115	230
Frequency (Hz)	50/60	50/60
Operating Range	+/- 10%	+/- 10%
Max. Power Consumption (W at 50/60 Hz)	207	207
Max. Nominal Current (A at 50/60 Hz)	1.8	0.9
Agency Approvals	UL/cUL Listed CE EAC	
Power Input Description	6-ft. cord with NEMA 5-15 plug	6-ft. cord with NEMA 6-15 plug
ENCLOSURE PROTECTION		
UL Type	Type 12 standard Type 3R, 4, 4X optional	
SOUND LEVEL		
At 1.5 Meters	64 dBA	
UNIT CONSTRUCTION		
Material	Mild steel sheet metal standard Stainless steel optional	
Finish	RAL 7035 light-gray, semi-textured powder-coat paint standard	
UNIT DIMENSIONS		
Height (in./mm)	29.66/753.3	29.66/753.3
Width (in./mm)	10.24/260.1	10.24/260.1
Depth (in./mm)	5.92/150.4	5.92/150.4
Weight (lb./kg)	32/15	32/15

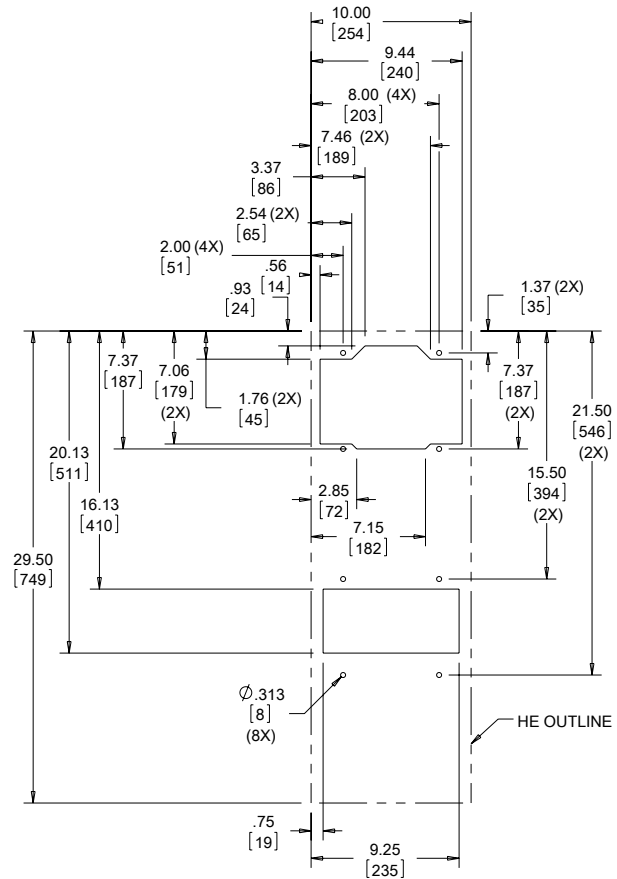


XR29 Models 18 W/°F (32 W/°C)



89045125

- NOTE:
 1. MOUNTING GASKET SUPPLIED (NOT SHOWN)
 2. UNITS: in. [mm]



Cutout Dimensions

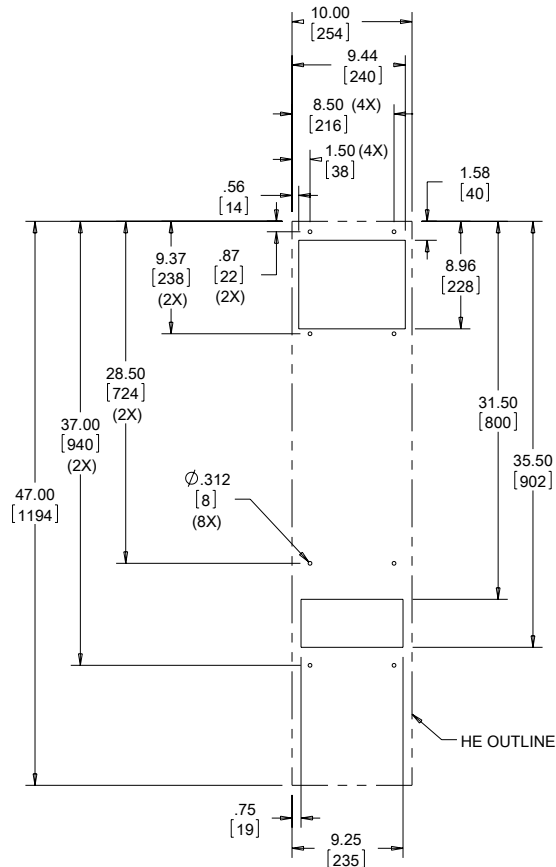
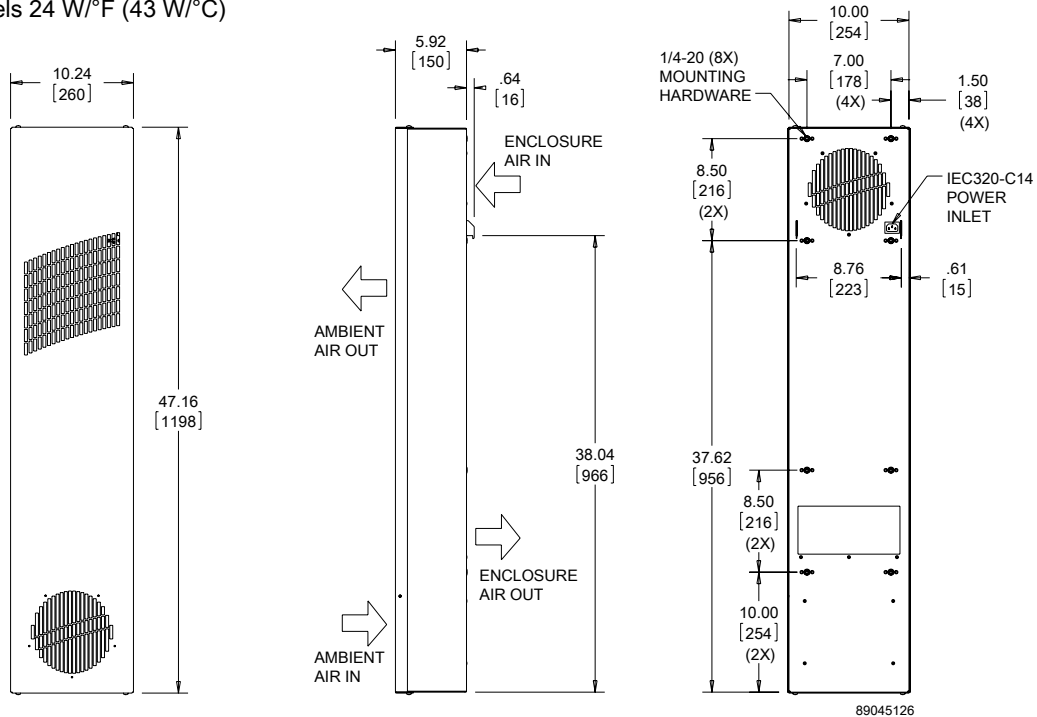
Visit nVent.com/HOFFMAN to download 2D and 3D CAD drawings into the overall design of your electrical system.

Performance Data **XR47 Models 24 W/°F (43 W/°C)**

CATALOG NUMBER		
	XR472416012	XR472426012
COOLING PERFORMANCE		
Nominal:		
W per °F	24	24
W per °C	43	43
Refrigerant	N/A	N/A
Refrigerant Charge (ounces/grams)	N/A	N/A
Operating Temperature Range:		
Maximum (°F/°C)	140/60	140/60
Minimum (°F/°C)	-20/-29	-20/-29
Airflow at 0 Static Pressure:		
Internal loop 50 Hz (CFM / m ³ /hr.)	140/238	140/238
External loop 50 Hz (CFM / m ³ /hr.)	118/200	118/200
Internal loop 60 Hz (CFM / m ³ /hr.)	156/265	156/265
External loop 60 Hz (CFM / m ³ /hr.)	131/222	131/222
ELECTRICAL DATA		
Rated Voltage	115	230
Frequency (Hz)	50/60	50/60
Operating Range	+/- 10%	+/- 10%
Max. Power Consumption (W at 50/60 Hz)	207	207
Max. Nominal Current (A at 50/60 Hz)	1.8	0.9
Agency Approvals	UL/cUL Listed CE EAC	
Power Input Description	6-ft. cord with NEMA 5-15 plug	6-ft. cord with NEMA 6-15 plug
ENCLOSURE PROTECTION		
UL Type	Type 12 standard Type 3R, 4, 4X optional	
SOUND LEVEL		
At 1.5 Meters	68 dBA	
UNIT CONSTRUCTION		
Material	Mild steel sheet metal standard Stainless steel optional	
Finish	RAL 7035 light-gray, semi-textured powder-coat paint standard	
UNIT DIMENSIONS		
Height (in./mm)	47.16/1197.9	47.16/1197.9
Width (in./mm)	10.24/260.1	10.24/260.1
Depth (in./mm)	5.92/150.4	5.92/150.4
Weight (lb./kg)	51/23	51/23



XR47 Models 24 W/°F (43 W/°C)



Cutout Dimensions

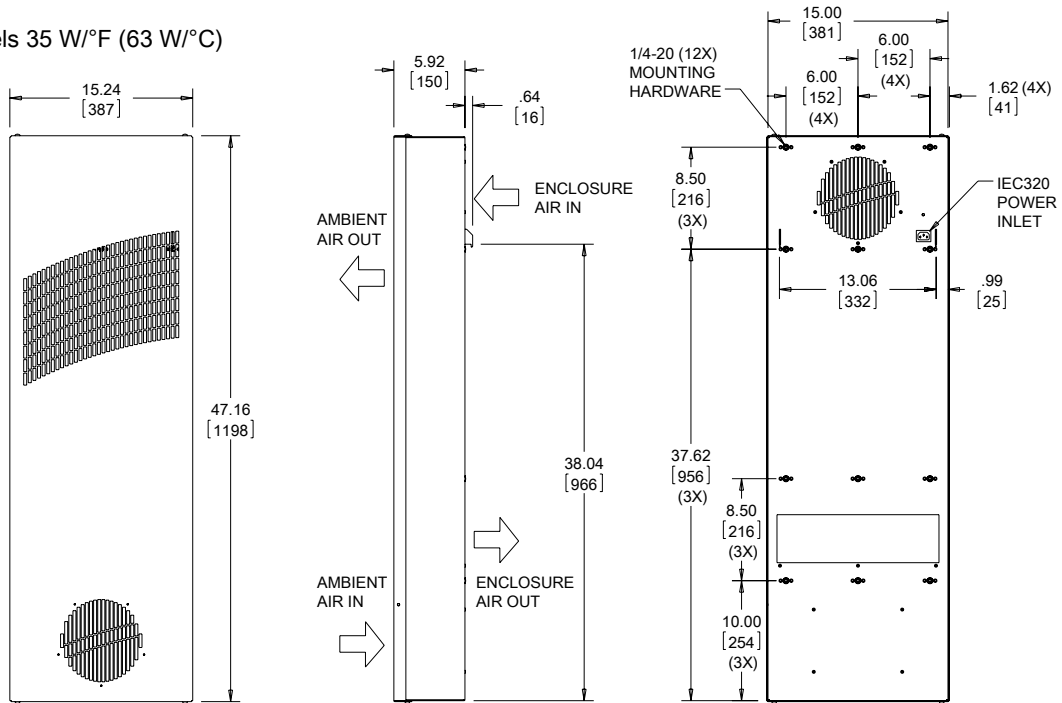
Visit nVent.com/HOFFMAN to download 2D and 3D CAD drawings into the overall design of your electrical system.

Performance Data **XR47 Models 35 W/°F (63 W/°C)**

CATALOG NUMBER		
	XR473516012	XR473526012
COOLING PERFORMANCE		
Nominal:		
W per °F	35	35
W per °C	63	63
Refrigerant	N/A	N/A
Refrigerant Charge (ounces/grams)	N/A	N/A
Operating Temperature Range:		
Maximum (°F/°C)	140/60	140/60
Minimum (°F/°C)	-20/-29	-20/-29
Airflow at 0 Static Pressure:		
Internal loop 50 Hz (CFM / m ³ /hr.)	120/204	120/204
External loop 50 Hz (CFM / m ³ /hr.)	131/222	131/222
Internal loop 60 Hz (CFM / m ³ /hr.)	133/226	133/226
External loop 60 Hz (CFM / m ³ /hr.)	146/248	146/248
ELECTRICAL DATA		
Rated Voltage	115	230
Frequency (Hz)	50/60	50/60
Operating Range	+/- 10%	+/- 10%
Max. Power Consumption (W at 50/60 Hz)	207	207
Max. Nominal Current (A at 50/60 Hz)	1.8	0.9
Agency Approvals	UL/cUL Listed CE EAC	
Power Input Description	6-ft. cord with NEMA 5-15 plug	6-ft. cord with NEMA 6-15 plug
ENCLOSURE PROTECTION		
UL Type	Type 12 standard Type 3R, 4, 4X optional	
SOUND LEVEL		
At 1.5 Meters	68 dBA	
UNIT CONSTRUCTION		
Material	Mild steel sheet metal standard Stainless steel optional	
Finish	RAL 7035 light-gray, semi-textured powder-coat paint standard	
UNIT DIMENSIONS		
Height (in./mm)	47.16/1197.8	47.16/1197.8
Width (in./mm)	15.24/387.1	15.24/387.1
Depth (in./mm)	5.92/150.4	5.92/150.4
Weight (lb./kg)	59/27	59/27

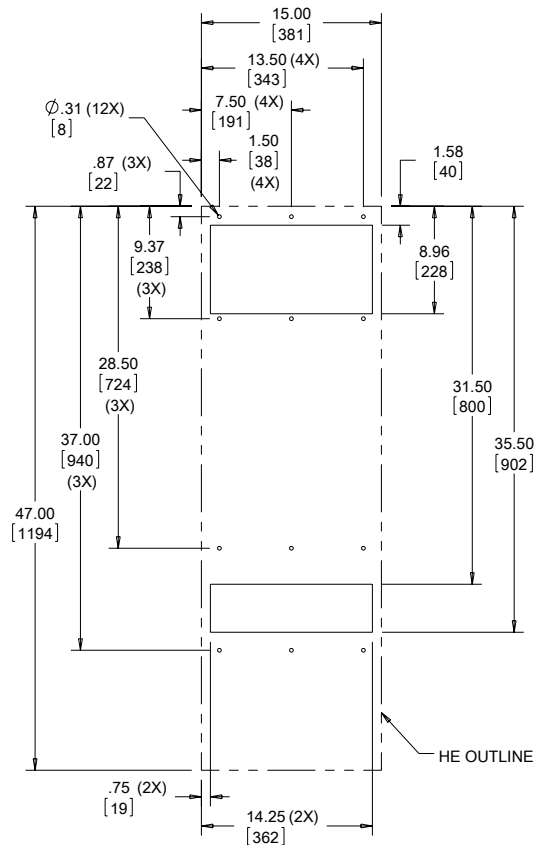


XR47 Models 35 W/°F (63 W/°C)



89045127

- NOTE:
 1. MOUNTING GASKET SUPPLIED (NOT SHOWN)
 2. UNITS: in [mm]
 3. 2-METER LONG SERVICE CORD TERMINATED WITH APPROPRIATE PLUG:
 NEMA 5-15P FOR 115V UNITS
 NEMA 6-15P FOR 230V UNITS



Cutout Dimensions

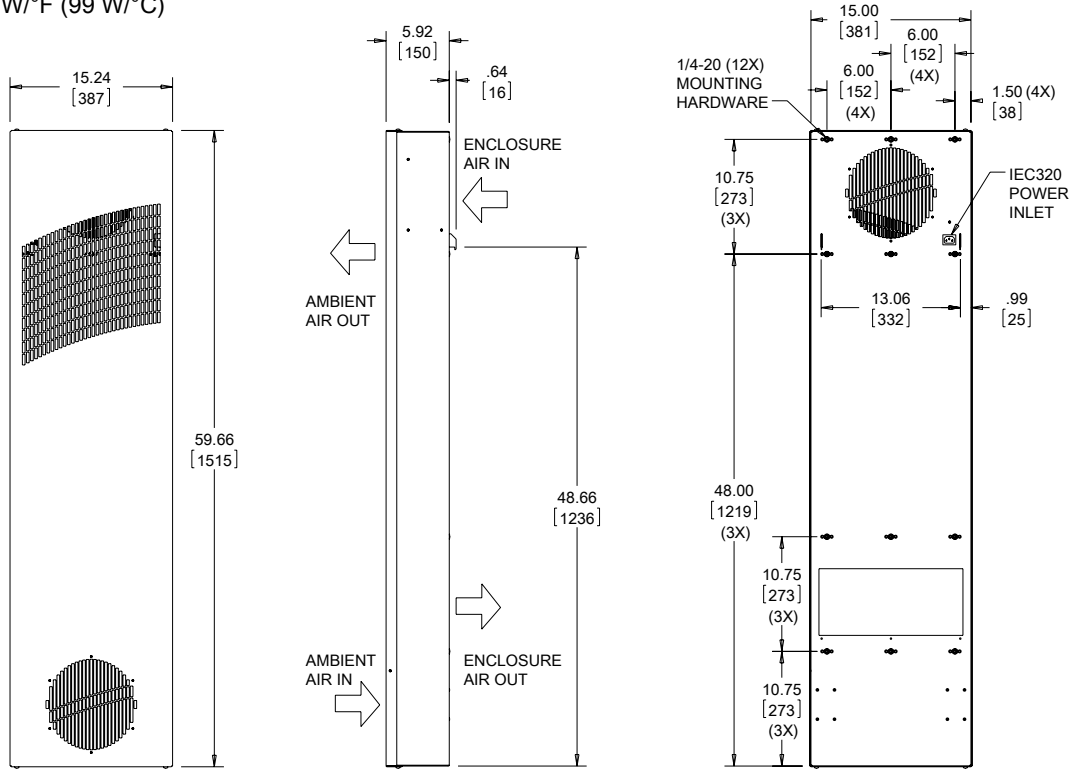
Visit nVent.com/HOFFMAN to download 2D and 3D CAD drawings into the overall design of your electrical system.

Performance Data **XR60 Models 55 W/°F (99 W/°C)**

CATALOG NUMBER		
	XR605516012	XR605526012
COOLING PERFORMANCE		
Nominal:		
W per °F	55	55
W per °C	99	99
Refrigerant	N/A	N/A
Refrigerant Charge (ounces/grams)	N/A	N/A
Operating Temperature Range:		
Maximum (°F/°C)	140/60	140/60
Minimum (°F/°C)	-20/-29	-20/-29
Airflow at 0 Static Pressure:		
Internal loop 50 Hz (CFM / m ³ /hr.)	398/676	398/676
External loop 50 Hz (CFM / m ³ /hr.)	429/729	429/729
Internal loop 60 Hz (CFM / m ³ /hr.)	442/751	442/751
External loop 60 Hz (CFM / m ³ /hr.)	477/810	477/810
ELECTRICAL DATA		
Rated Voltage	115	230
Frequency (Hz)	50/60	50/60
Operating Range	+/- 10%	+/- 10%
Max. Power Consumption (W at 50/60 Hz)	759	759
Max. Nominal Current (A at 50/60 Hz)	6.6	3.3
Agency Approvals	UL/cUL Listed CE EAC	
Power Input Description	6-ft. cord with NEMA 5-15 plug	6-ft. cord with NEMA 6-15 plug
ENCLOSURE PROTECTION		
UL Type	Type 12 standard Type 3R, 4, 4X optional	
SOUND LEVEL		
At 1.5 Meters	73 dBA	
UNIT CONSTRUCTION		
Material	Mild steel sheet metal standard Stainless steel optional	
Finish	RAL 7035 light-gray, semi-textured powder-coat paint standard	
UNIT DIMENSIONS		
Height (in./mm)	59.66/1515.3	59.66/1515.3
Width (in./mm)	15.24/387.1	15.24/387.1
Depth (in./mm)	5.92/150.4	5.92/150.4
Weight (lb./kg)	86/39	86/39

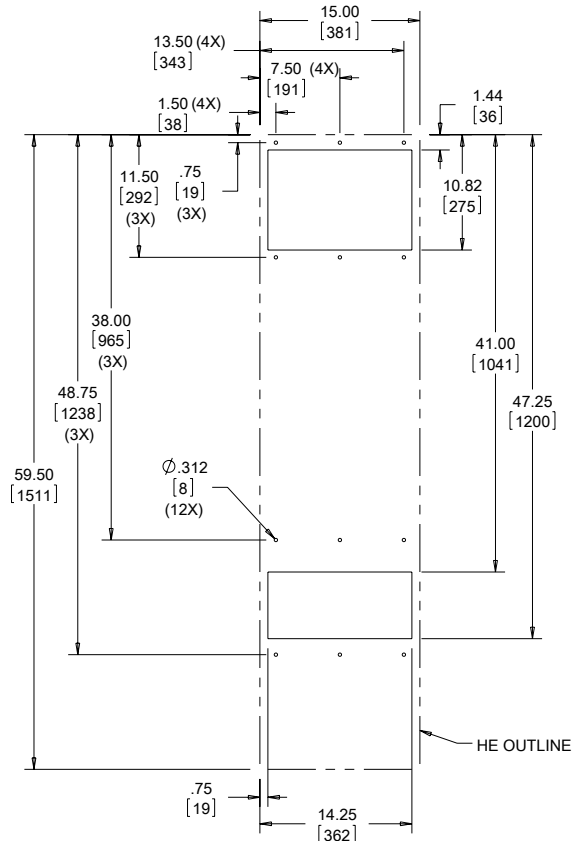


XR60 Models 55 W/°F (99 W/°C)



89045128

- NOTE:
1. MOUNTING GASKET SUPPLIED (NOT SHOWN)
 2. UNITS: in [mm]
 3. 2-METER LONG SERVICE CORD SUPPLIED WITH APPROPRIATE PLUG: NEMA 5-15P FOR 115V UNITS NEMA 6-15P FOR 230V UNITS



Cutout Dimensions

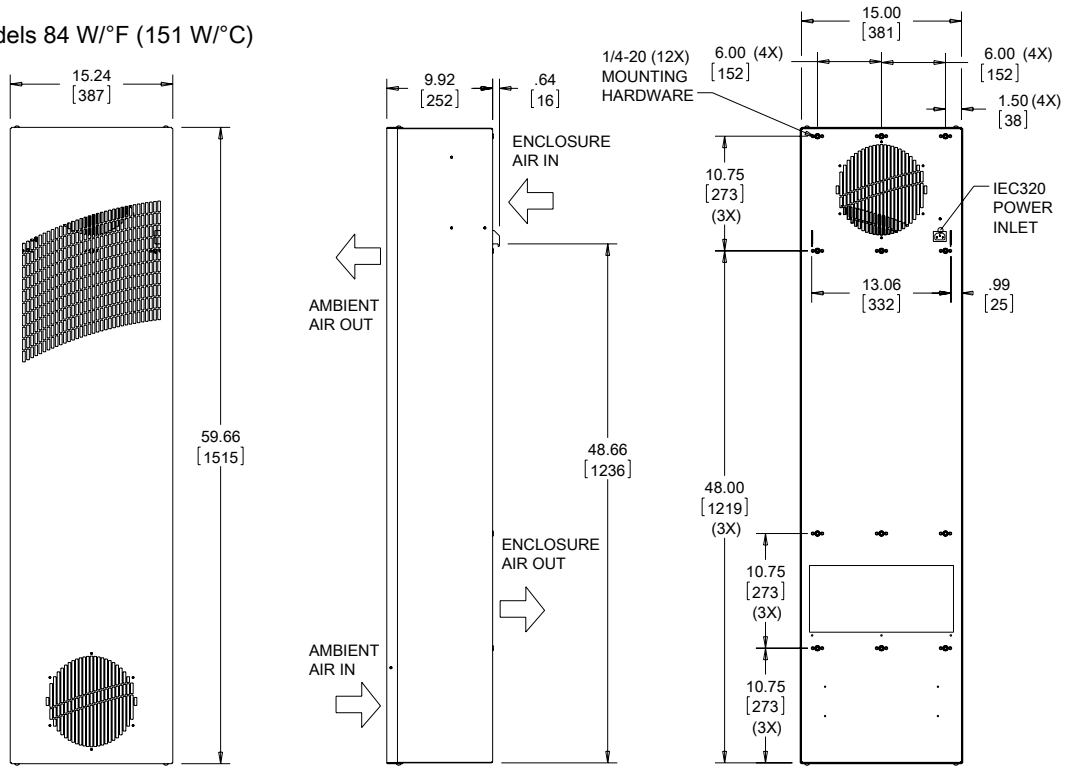
Visit nVent.com/HOFFMAN to download 2D and 3D CAD drawings into the overall design of your electrical system.

Performance Data **XR60 Models 84 W/°F (151 W/°C)**

CATALOG NUMBER		
	XR608416012	XR608426012
COOLING PERFORMANCE		
Nominal:		
W per °F	84	84
W per °C	151	151
Refrigerant	N/A	N/A
Refrigerant Charge (ounces/grams)	N/A	N/A
Operating Temperature Range:		
Maximum (°F/°C)	140/60	140/60
Minimum (°F/°C)	-20/-29	-20/-29
Airflow at 0 Static Pressure:		
Internal loop 50 Hz (CFM / m ³ /hr.)	497/844	497/844
External loop 50 Hz (CFM / m ³ /hr.)	434/737	434/737
Internal loop 60 Hz (CFM / m ³ /hr.)	552/938	552/938
External loop 60 Hz (CFM / m ³ /hr.)	482/819	482/819
ELECTRICAL DATA		
Rated Voltage	115	230
Frequency (Hz)	50/60	50/60
Operating Range	+/- 10%	+/- 10%
Max. Power Consumption (W at 50/60 Hz)	759	759
Max. Nominal Current (A at 50/60 Hz)	6.6	3.3
Agency Approvals	UL/cUL Listed CE EAC	
Power Input Description	6-ft. cord with NEMA 5-15 plug	6-ft. cord with NEMA 6-15 plug
ENCLOSURE PROTECTION		
UL Type	Type 12 standard Type 3R, 4, 4X optional	
SOUND LEVEL		
At 1.5 Meters	73 dBA	
UNIT CONSTRUCTION		
Material	Mild steel sheet metal standard Stainless steel optional	
Finish	RAL 7035 light-gray, semi-textured powder-coat paint standard	
UNIT DIMENSIONS		
Height (in./mm)	59.66/1515.3	59.66/1515.3
Width (in./mm)	15.24/387.1	15.24/387.1
Depth (in./mm)	9.92/252	9.92/252
Weight (lb./kg)	106/48	106/48

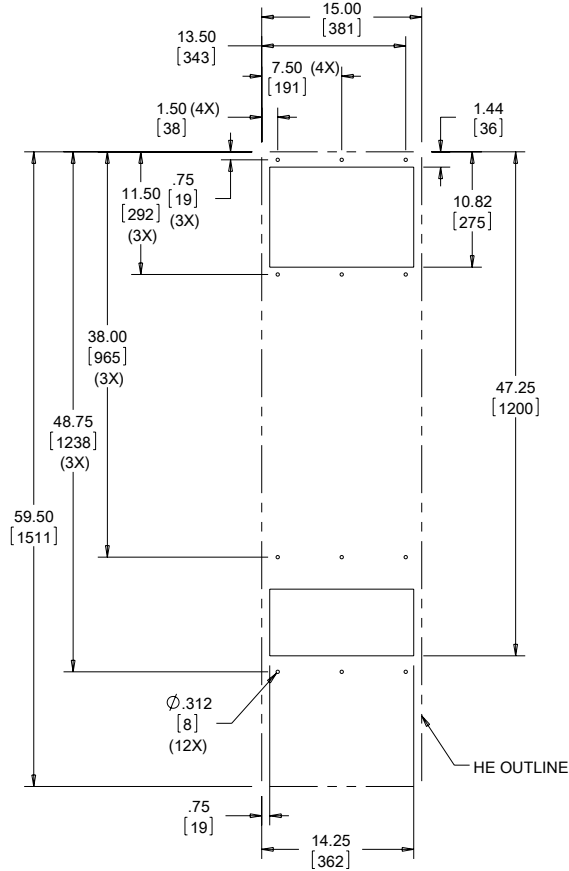


XR60 Models 84 W/°F (151 W/°C)



89045129

- NOTE:
 1. MOUNTING GASKET SUPPLIED (NOT SHOWN)
 2. UNITS: in [mm]
 3. 2-METER LONG SERVICE CORD SUPPLIED WITH APPROPRIATE PLUG:
 NEMA 5-15P FOR 115V UNITS
 NEMA 6-15P FOR 230V UNITS



Cutout Dimensions

Visit nVent.com/HOFFMAN to download 2D and 3D CAD drawings into the overall design of your electrical system.

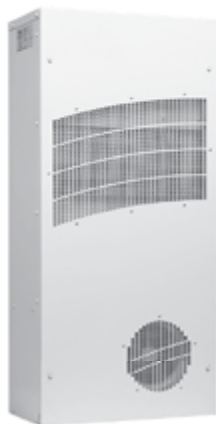
Notes



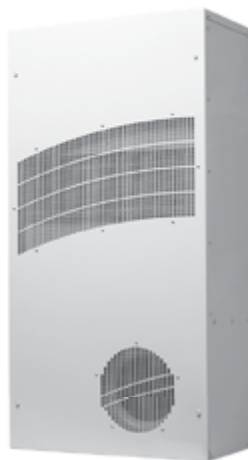
CLIMAGUARD AIR-TO-AIR OUTDOOR



TX23
Models
14 W/°F (25 W/°C)



TX33
Models
28 W/°F (50 W/°C)



TX38
Models
56 W/°F (100 W/°C)



TX52
Models
83 W/°F (150 W/°C)



INDUSTRY STANDARDS

UL/cUL Listed; Type 12, 4; 4X optional; File No. SA7402
UR/cUR Recognized

UR/cUR Recognized on select models, reference performance data tables.

CE
EAC
Telcordia GR-487 capable

APPLICATION

- Telecom shelters
- Outdoor cabinets
- Equipment buildings
- Instrument enclosures
- And more

FEATURES

- Unique counterflow aluminum core for high efficiency and high performance heat transfer
- Models for 24 VDC, 48 VDC, 115 VAC and 230 VAC power supplies
- UL Listed or Recognized to save customers time and money with agency approvals
- Operating temperature range from -40 F/-40 C to 149 F/65 C
- Variable speed blowers standard on DC powered units for quiet running
- Surface or recessed mount capable

- Low-carbon mild-steel sheet-metal cover for rugged factory environments
- Easy-mount flanges for simple installation
- Mounting hardware, gaskets and user manual furnished with the unit
- Every unit functionally tested before shipping
- Filterless design for low maintenance and easy cleaning
- Engineered for temperature extremes, corrosive environments and wind driven rain

FINISH

- RAL 7035 light-gray, semi-textured powder-coat paint standard
- Stainless steel Type 304 or 316 finishes available on Type 4X models
- Other colors and textures available

OPTIONS

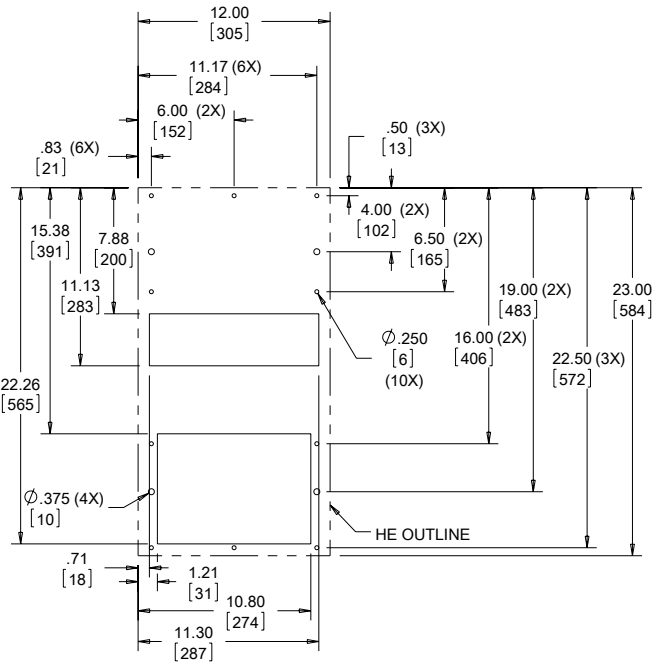
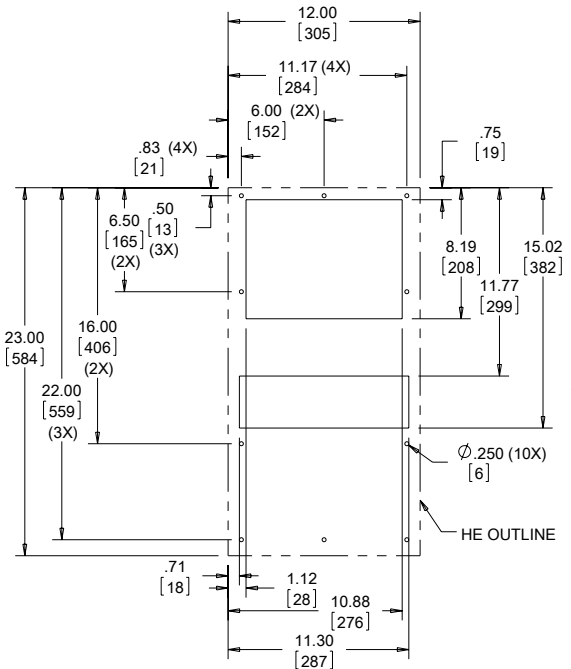
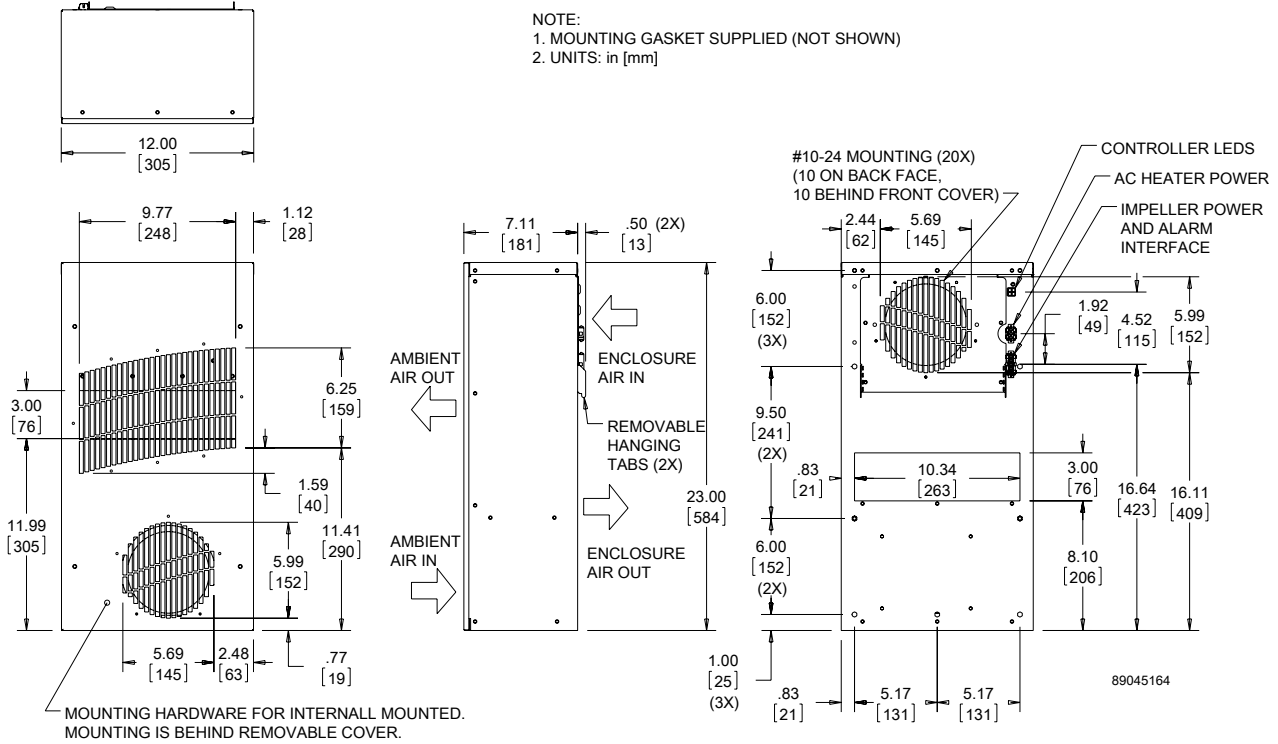
- Thermostat Package
 - Special Voltage Package
 - Outdoor Package
 - Harsh Environment Package*
 - Stainless Steel Package*
 - Heater Package*
- * Consult the factory for availability and catalog number.

Performance Data **TX23 Models 14 W/°F (25 W/°C)**

CATALOG NUMBER	TX231416100	TX231426100	TX231424100	TX231448100
COOLING PERFORMANCE				
Nominal:				
W per °F	14	14	14	14
W per °C	25	25	25	25
Refrigerant	N/A	N/A	N/A	N/A
Refrigerant Charge (ounces/grams)	N/A	N/A	N/A	N/A
Operating Temperature Range				
Maximum (°F/°C)	149/65	149/65	149/65	149/65
Minimum (°F/°C)	-40/-40	-40/-40	-40/-40	-40/-40
Airflow at 0 Static Pressure:				
Internal loop 50 Hz (CFM / m ³ /hr.)	69/117	69/117	N/A	N/A
External loop 50 Hz (CFM / m ³ /hr.)	58/98	58/98	N/A	N/A
Internal loop 60 Hz (CFM / m ³ /hr.)	84/142	84/142	175/268	175/268
External loop 60 Hz (CFM / m ³ /hr.)	69/117	69/117	158/297	158/297
ELECTRICAL DATA				
Rated Voltage	115 VAC	230 VAC	24 VDC	48 VDC
Frequency (Hz)	50/60	50/60	50/60	50/60
Operating Range	+/- 10%	+/- 10%	+/- 10%	+/- 10%
Max. Power Consumption (W at 50/60 Hz)	69	23	82	87
Max. Nominal Current (A at 50/60 Hz)	0.6	0.1	3.4	1.8
Agency Approvals	UL/cUL Listed CE EAC		UL/cUL Listed CE EAC	
Power Input Description	6-ft. cord with NEMA 5-15 plug	6-ft. cord with NEMA 6-15 plug	Terminal block	Terminal block
ENCLOSURE PROTECTION				
UL Type	Type 12, 3R, 4 standard Type 4X optional		Type 12, 3R, 4 standard Type 4X optional	
SOUND LEVEL				
At 1.5 Meters	56 dBA		56 dBA	
UNIT CONSTRUCTION				
Material	Mild steel sheet metal standard Stainless steel optional		Mild steel sheet metal standard Stainless steel optional	
Finish	RAL 7035 light-gray, semi-textured powder-coat paint standard		RAL 7035 light-gray, semi-textured powder-coat paint standard	
UNIT DIMENSIONS				
Height (in./mm)	23/584.2	23/584.2	23/584.2	23/584.2
Width (in./mm)	12/304.8	12/304.8	12/304.8	12/304.8
Depth (in./mm)	7.1/180.3	7.1/180.3	7.1/180.3	7.1/180.3
Weight (lb./kg)	30/13.6	30/13.6	30/13.6	30/13.6

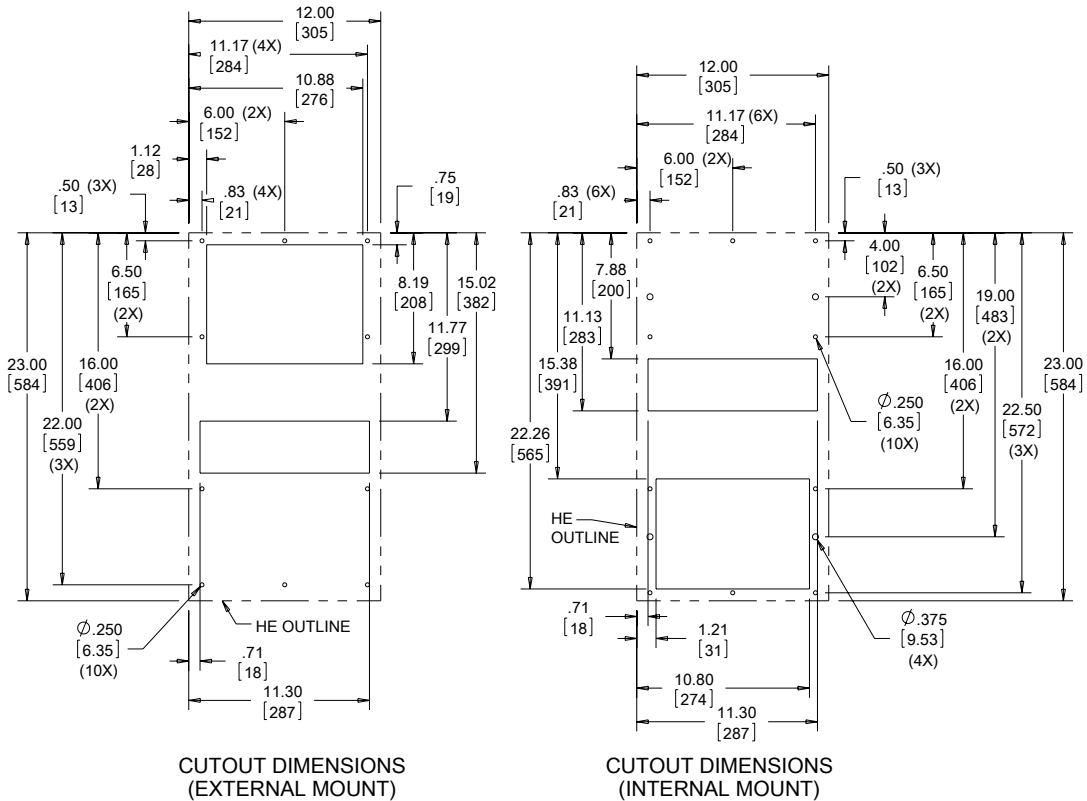
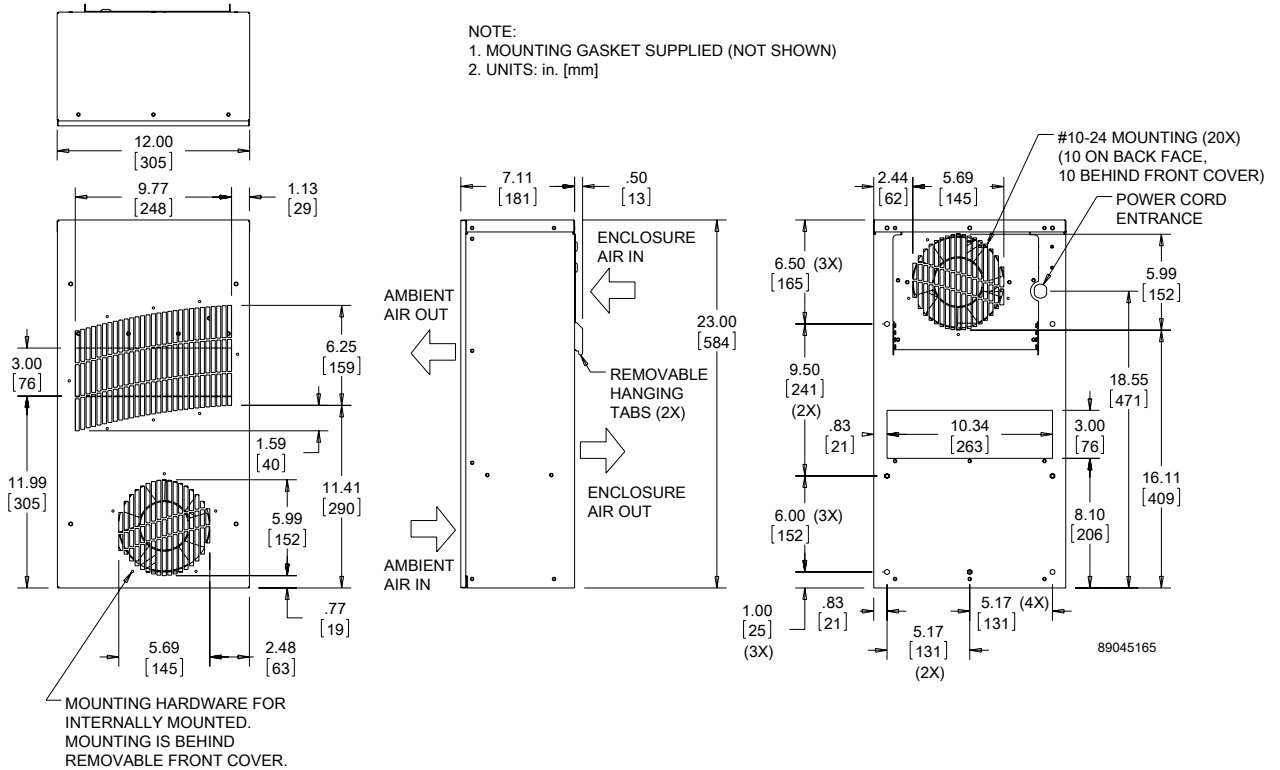


TX23 DC Models 14 W/°F (25°C)



Visit nVent.com/HOFFMAN to download 2D and 3D CAD drawings into the overall design of your electrical system.

TX23 AC Models 14W/°F (25 W /°C)



Visit nVent.com/HOFFMAN to download 2D and 3D CAD drawings into the overall design of your electrical system.





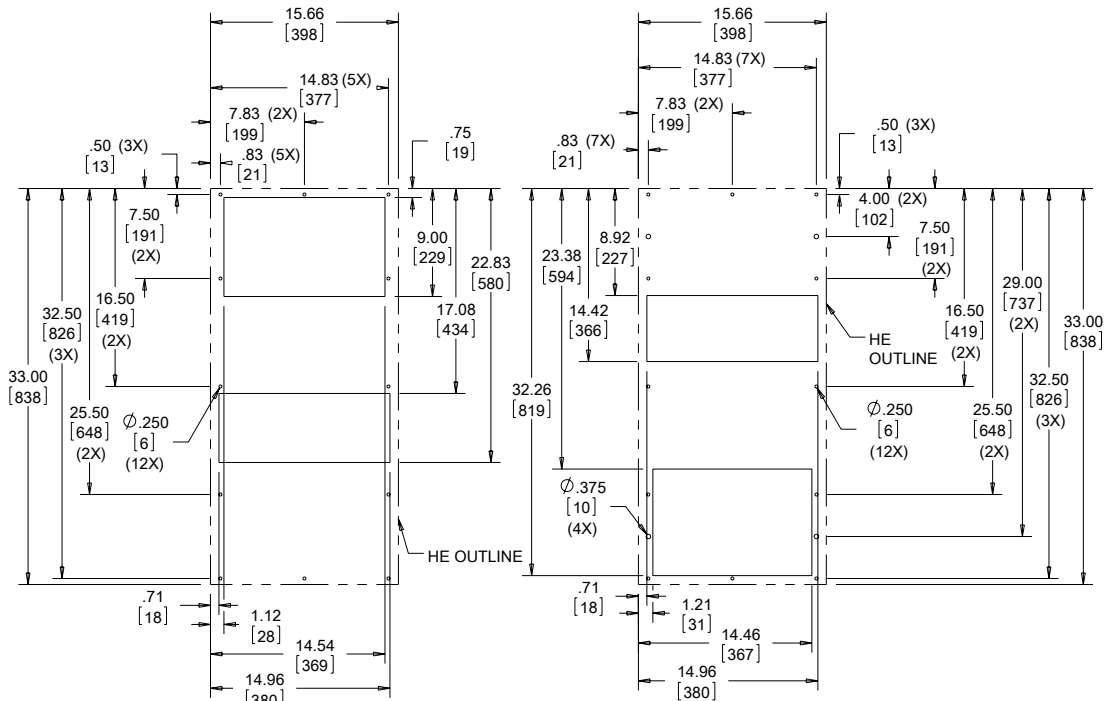
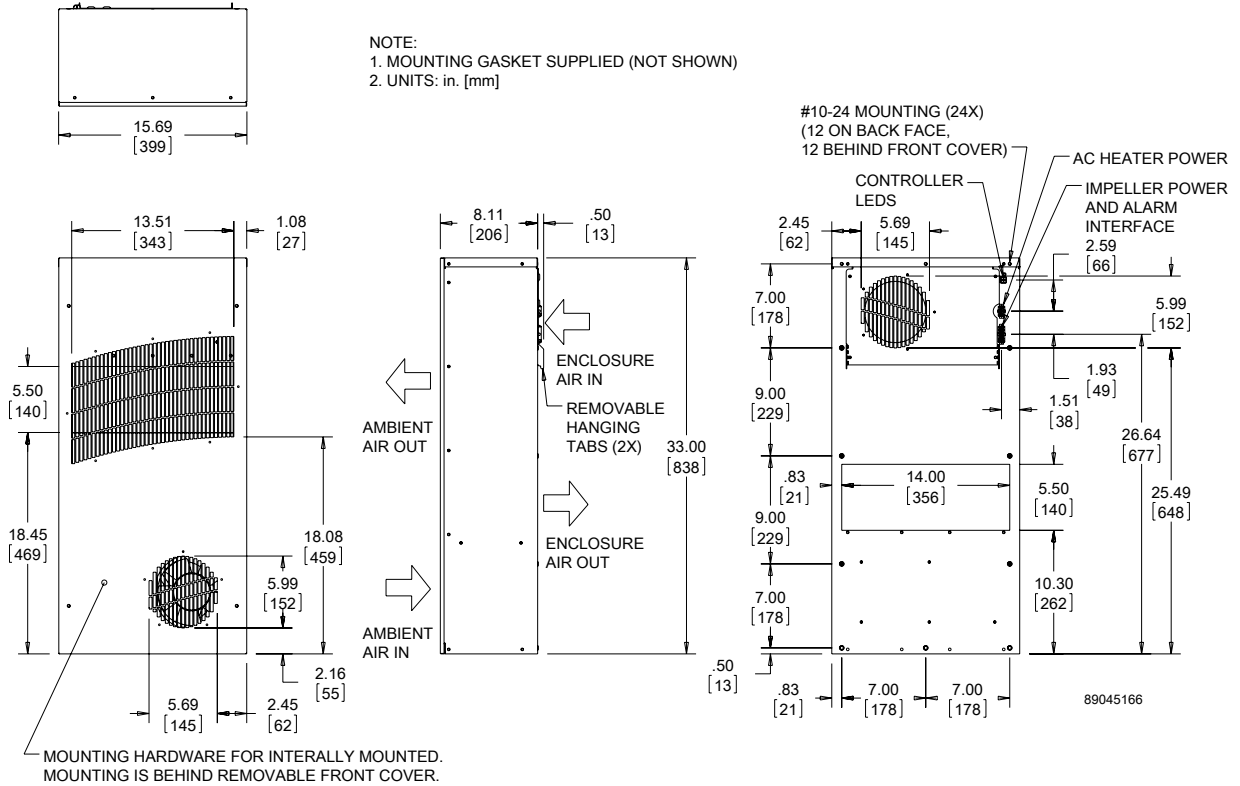
Performance Data TX33 Models 28 W/°F (50 W/°C)



CATALOG NUMBER	TX332816100	TX332826100	TX332824100	TX332848100
COOLING PERFORMANCE				
Nominal:				
W per °F	28	28	28	28
W per °C	50	50	50	50
Refrigerant	N/A	N/A	N/A	N/A
Refrigerant Charge (ounces/grams)	N/A	N/A	N/A	N/A
Operating Temperature Range:				
Maximum (°F/°C)	149/65	149/65	149/65	149/65
Minimum (°F/°C)	-40/-40	-40/-40	-40/-40	-40/-40
Airflow at 0 Static Pressure:				
Internal loop 50 Hz (CFM / m ³ /hr.)	212/360	212/360	N/A	N/A
External loop 50 Hz (CFM / m ³ /hr.)	238/404	238/404	N/A	N/A
Internal loop 60 Hz (CFM / m ³ /hr.)	228/387	228/387	228/387	228/387
External loop 60 Hz (CFM / m ³ /hr.)	263/447	263/447	166/282	166/282
ELECTRICAL DATA				
Rated Voltage	115 VAC	230 VAC	24 VDC	48 VDC
Frequency (Hz)	50/60	50/60	50/60	50/60
Operating Range	+/- 10%	+/- 10%	+/- 10%	+/- 10%
Max. Power Consumption (W at 50/60 Hz)	161	92	82	87
Max. Nominal Current (A at 50/60 Hz)	1.4	0.4	3.4	1.8
Agency Approvals	UL/cUL Listed CE EAC		UL/cUL Listed CE EAC	
Power Input Description	Terminal block	Terminal block	Terminal block	Terminal block
ENCLOSURE PROTECTION				
UL Type	Type 12, 3R, 4 standard Type 4X optional		Type 12, 3R, 4 standard Type 4X optional	
SOUND LEVEL				
At 1.5 Meters	56 dBA		56 dBA	
UNIT CONSTRUCTION				
Material	Mild steel sheet metal standard Stainless steel optional		Mild steel sheet metal standard Stainless steel optional	
Finish	RAL 7035 light-gray, semi-textured powder-coat paint standard		RAL 7035 light-gray, semi-textured powder-coat paint standard	
UNIT DIMENSIONS				
Height (in./mm)	33/838.2	33/838.2	33/838.2	33/838.2
Width (in./mm)	15.7/398.8	15.7/398.8	15.7/398.8	15.7/398.8
Depth (in./mm)	8.1/205.7	8.1/205.7	8.1/205.7	8.1/205.7
Weight (lb./kg)	45/20.4	45/20.4	45/20.4	45/20.4



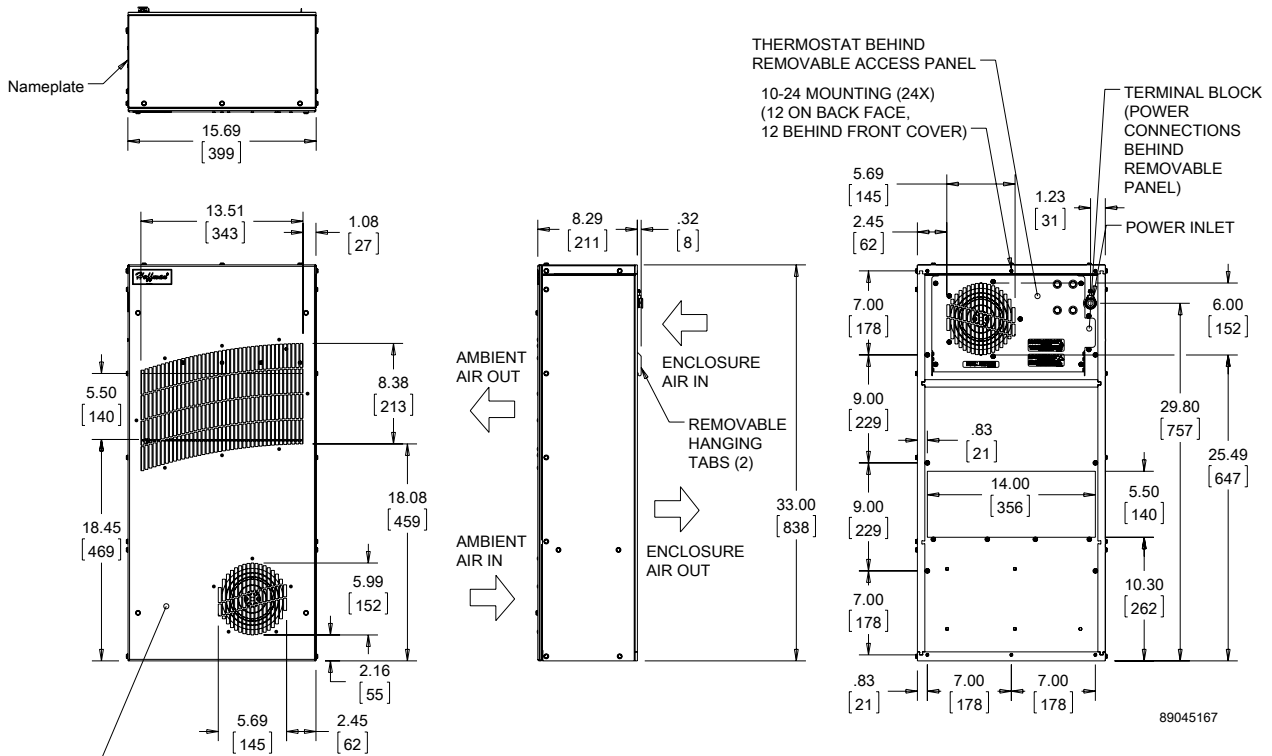
TX 33 DC Models 28 W/°F (50 W/°C)



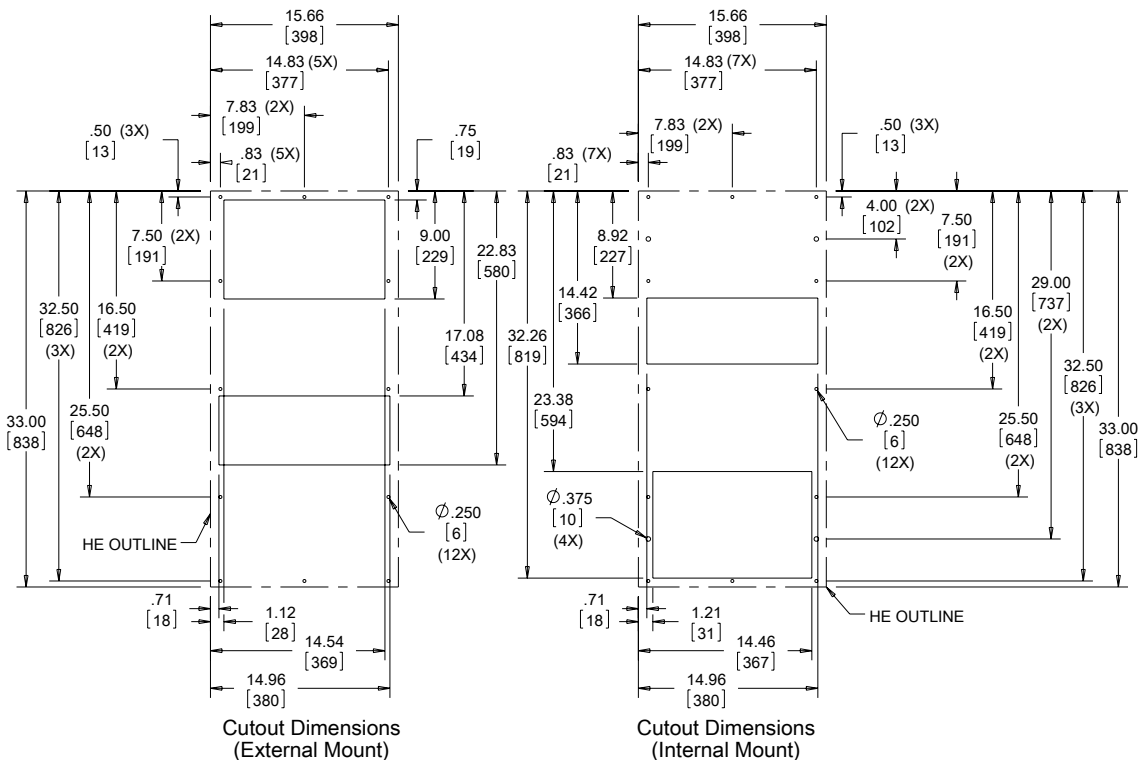
Visit nVent.com/HOFFMAN to download 2D and 3D CAD drawings into the overall design of your electrical system.



TX33 AC Models 28 W/°F (50 W/°C)



MOUNTING HARDWARE FOR INTERNALLY MOUNTED. MOUNTING IS BEHIND REMOVABLE FRONT COVER.



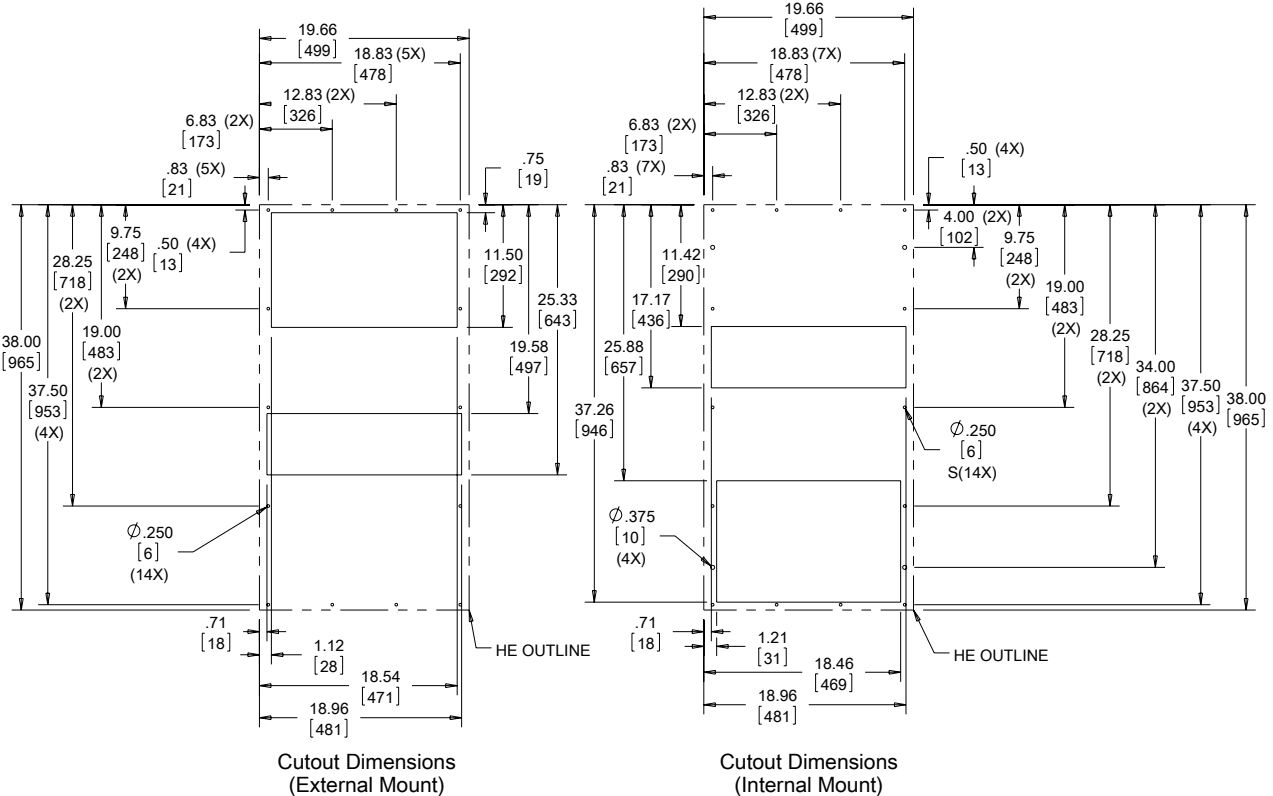
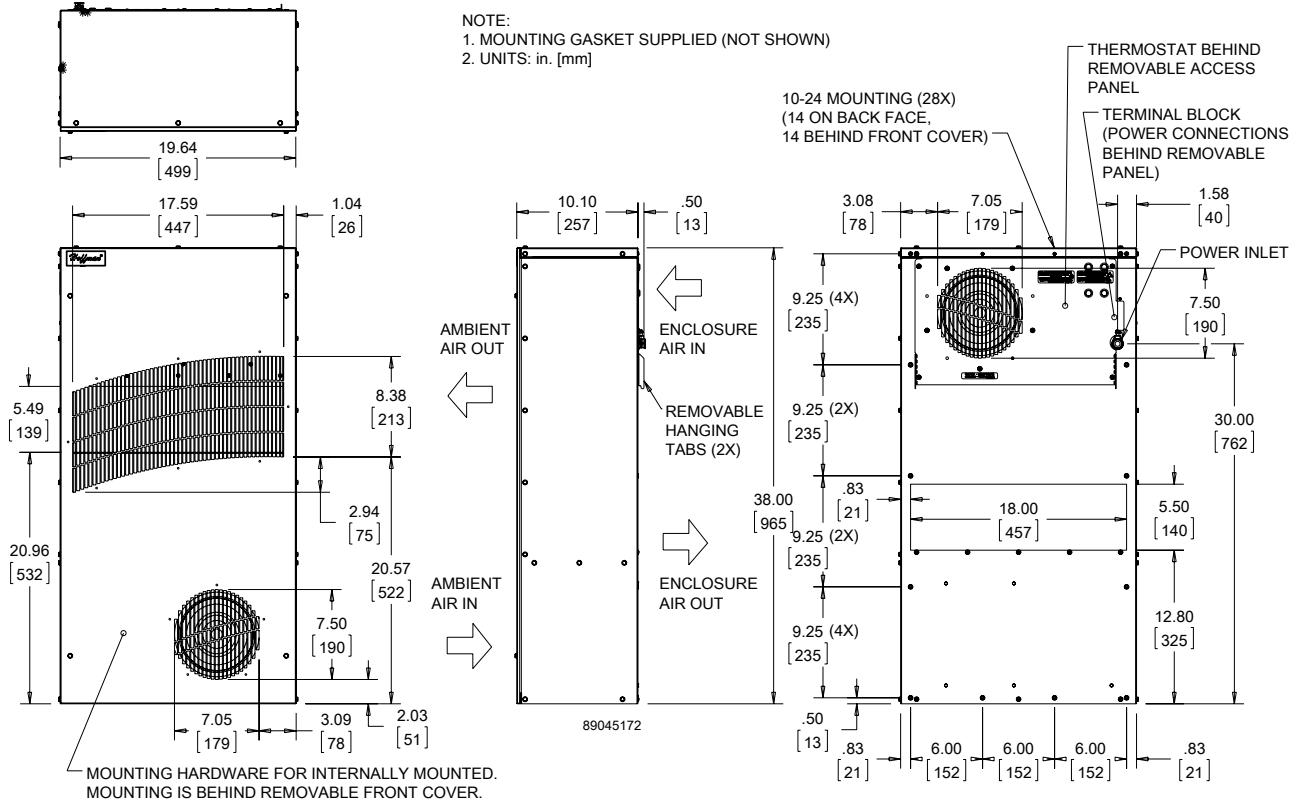
Visit nVent.com/HOFFMAN to download 2D and 3D CAD drawings into the overall design of your electrical system.

Performance Data **TX38 Models 56 W/°F (100 W/°C)**

CATALOG NUMBER	TX385616100	TX385626100	TX385624100	TX385648100
COOLING PERFORMANCE				
Nominal:				
W per °F	56	56	56	56
W per °C	100	100	100	100
Refrigerant	N/A	N/A	N/A	N/A
Refrigerant Charge (ounces/grams)	N/A	N/A	N/A	N/A
Operating Temperature Range:				
Maximum (°F/°C)	149/65	149/65	149/65	149/65
Minimum (°F/°C)	-40/-40	-40/-40	-40/-40	-40/-40
Airflow at 0 Static Pressure:				
Internal loop 50 Hz (CFM / m ³ /hr.)	425/722	425/722	N/A	N/A
External loop 50 Hz (CFM / m ³ /hr.)	461/738	461/738	N/A	N/A
Internal loop 60 Hz (CFM / m ³ /hr.)	477/810	477/810	368/625	368/625
External loop 60 Hz (CFM / m ³ /hr.)	517/878	517/878	422/717	422/717
ELECTRICAL DATA				
Rated Voltage	115 VAC	230 VAC	24 VDC	48 VDC
Frequency (Hz)	50/60	50/60	50/60	50/60
Operating Range	+/- 10%	+/- 10%	+/- 10%	+/- 10%
Max. Power Consumption (W at 50/60 Hz)	368	276	207	279
Max. Nominal Current (A at 50/60 Hz)	2.3/3.2	0.7/1.2	8.6	5.8
Agency Approvals	UL/cUL Listed CE EAC		UL/cUL Listed CE EAC	
Power Input Description	Terminal block	Terminal block	Terminal block	Terminal block
ENCLOSURE PROTECTION				
UL Type	Type 12, 3R, 4 standard Type 4X optional		Type 12, 3R, 4 standard Type 4X optional	
SOUND LEVEL				
At 1.5 Meters	64 dBA		64 dBA	
UNIT CONSTRUCTION				
Material	Mild Mild steel sheet metal standard		Mild Mild steel sheet metal standard	
Finish	RAL 7035 light-gray, semi-textured powder-coat paint standard		RAL 7035 light-gray, semi-textured powder-coat paint standard	
UNIT DIMENSIONS				
Height (in./mm)	38/965.2	38/965.2	38/965.2	38/965.2
Width (in./mm)	19.7/500.4	19.7/500.4	19.7/500.4	19.7/500.4
Depth (in./mm)	10.1/256.5	10.1/256.5	10.1/256.5	10.1/256.5
Weight (lb./kg)	66/30	66/30	66/30	66/30



TX38 AC Models 56 W/°F (100 W/°C)



Visit nVent.com/HOFFMAN to download 2D and 3D CAD drawings into the overall design of your electrical system.

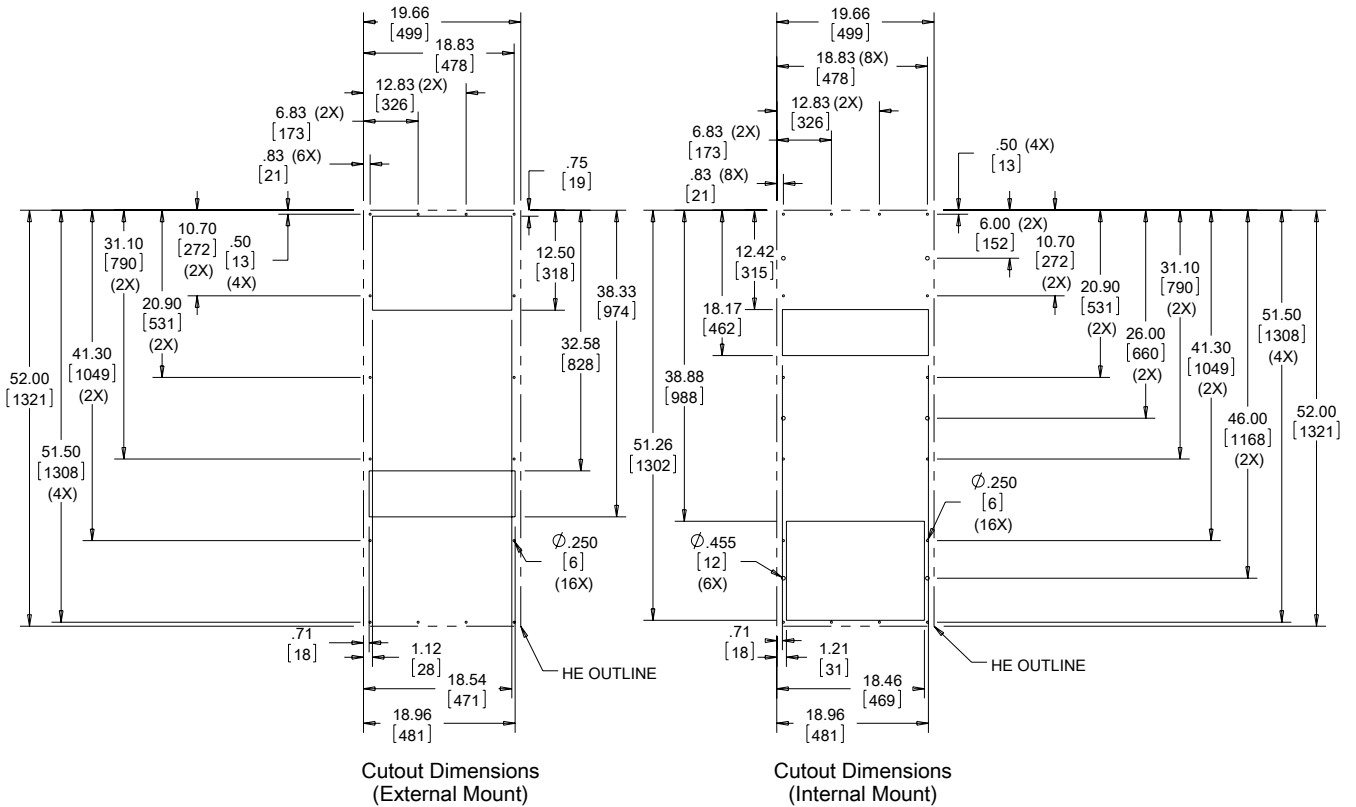
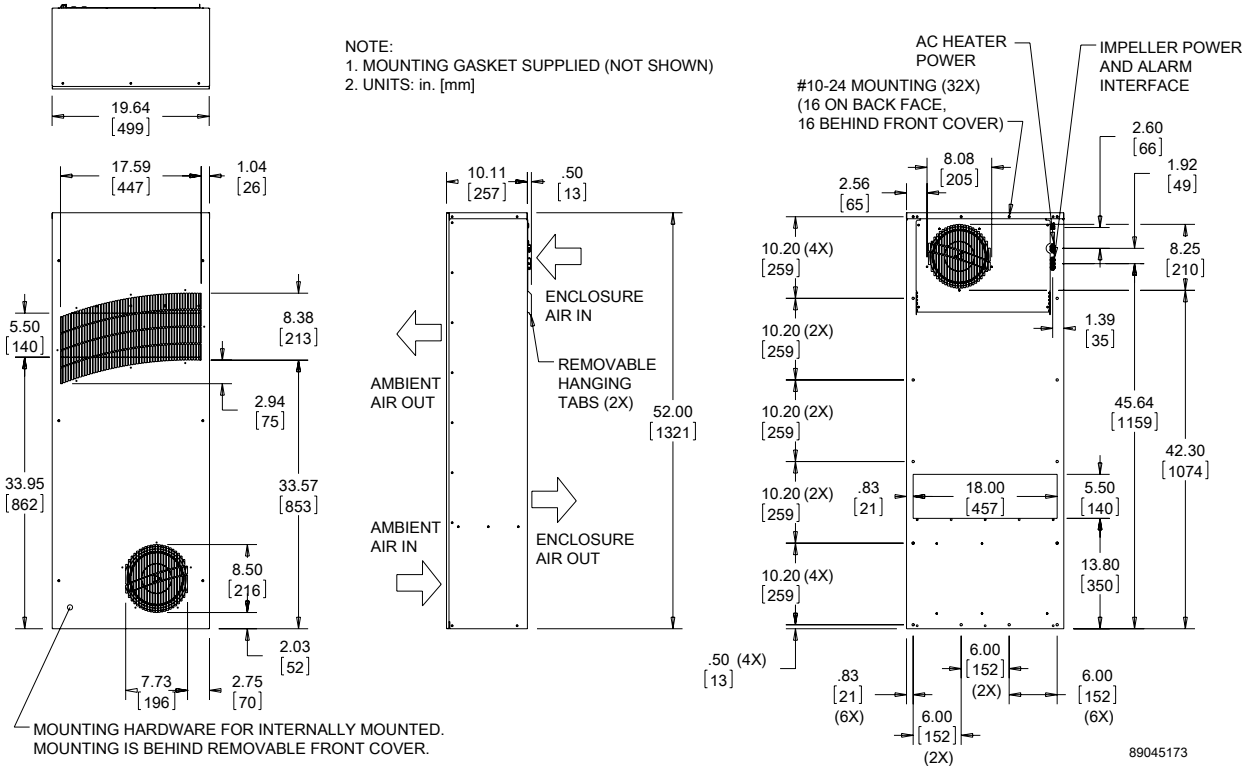


Performance Data TX52 Models 83 W/°F (150 W/°C)



CATALOG NUMBER	TX528316100	TX528326100	TX528324100	TX528348100
COOLING PERFORMANCE				
Nominal:				
W per °F	83	83	83	83
W per °C	150	150	150	150
Refrigerant	N/A	N/A	N/A	N/A
Refrigerant Charge (ounces/grams)	N/A	N/A	N/A	N/A
Operating Temperature Range:				
Maximum (°F/°C)	149/65	149/65	149/65	149/65
Minimum (°F/°C)	-40/-40	-40/-40	-40/-40	-40/-40
Airflow at 0 Static Pressure:				
Internal loop 50 Hz (CFM / m ³ /hr.)	495/841	495/841	N/A	N/A
External loop 50 Hz (CFM / m ³ /hr.)	540/917	540/917	N/A	N/A
Internal loop 60 Hz (CFM / m ³ /hr.)	533/905	533/905	466/792	466/792
External loop 60 Hz (CFM / m ³ /hr.)	605/1028	605/1028	547/929	547/929
ELECTRICAL DATA				
Rated Voltage	115 VAC	230 VAC	24 VDC	48 VDC
Frequency (Hz)	50/60	50/60	50/60	50/60
Operating Range	+/- 10%	+/- 10%	+/- 10%	+/- 10%
Max. Power Consumption (W at 50/60 Hz)	782	771	507	375
Max. Nominal Current (A at 50/60 Hz)	4.3/6.7	2.2/3.4	21.1	7.8
Agency Approvals	UL/cUL Listed CE EAC		UL/cUL Listed CE EAC	
Power Input Description	Terminal block	Terminal block	Terminal block	Terminal block
ENCLOSURE PROTECTION				
UL Type	Type 12, 3R, 4 standard Type 4X optional		Type 12, 3R, 4 standard Type 4X optional	
SOUND LEVEL				
At 1.5 Meters	68 dBA		68 dBA	
UNIT CONSTRUCTION				
Material	Mild steel sheet metal standard Stainless steel optional		Mild steel sheet metal standard Stainless steel optional	
Finish	RAL 7035 light-gray, semi-textured powder-coat paint standard		RAL 7035 light-gray, semi-textured powder-coat paint standard	
UNIT DIMENSIONS				
Height (in./mm)	52/1320.8	52/1320.8	52/1320.8	52/1320.8
Width (in./mm)	19.7/500.4	19.7/500.4	19.7/500.4	19.7/500.4
Depth (in./mm)	10.1/256.5	10.1/256.5	10.1/256.5	10.1/256.5
Weight (lb./kg)	100/45.3	100/45.3	100/45.3	100/45.3

TX52 DC Models 83 W/°F (150 W/°C)



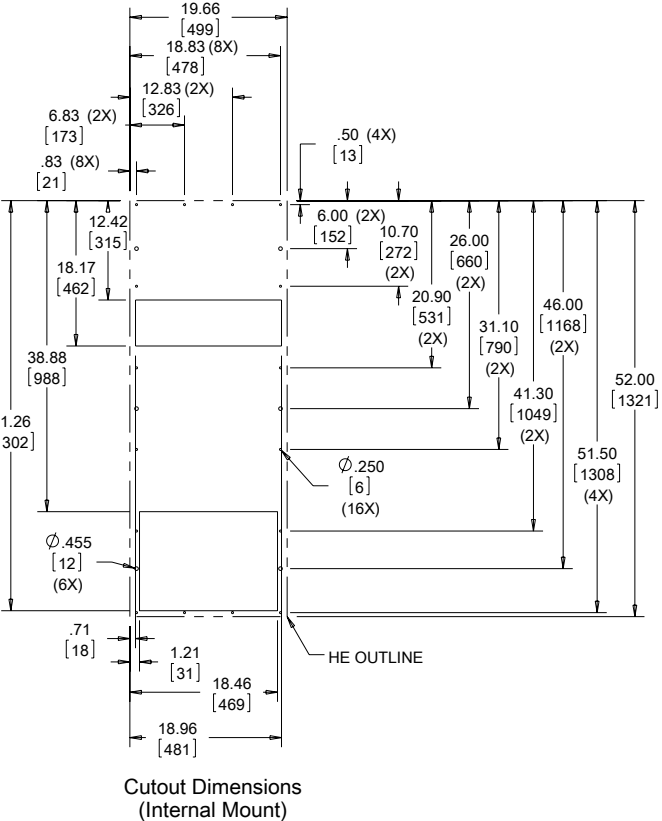
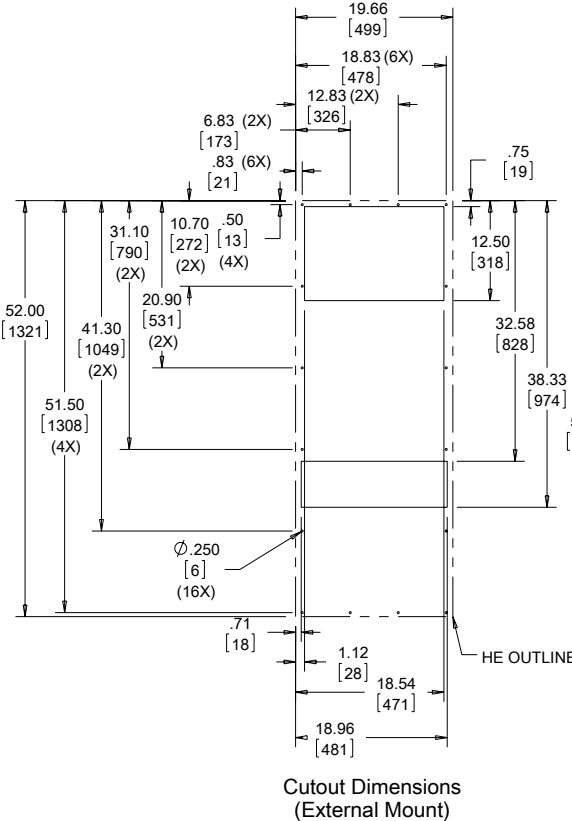
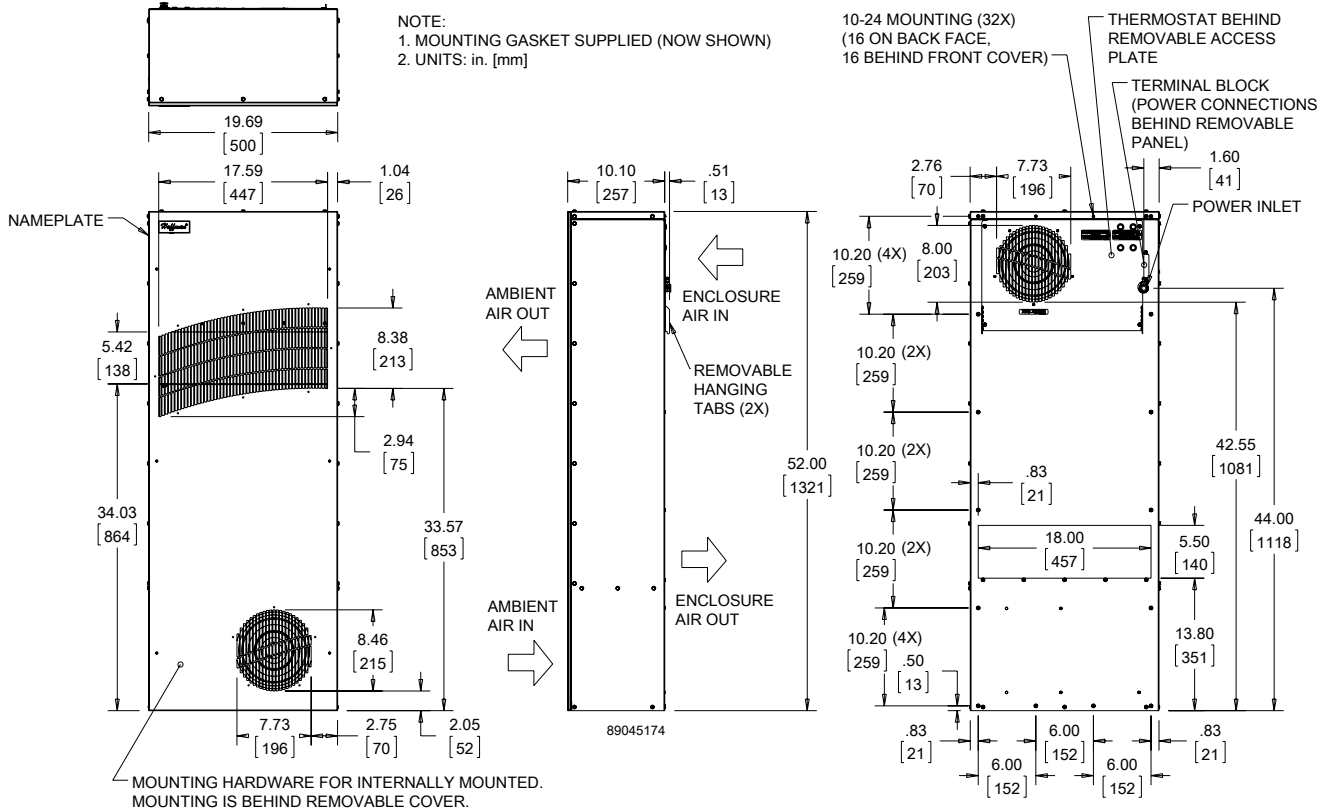
Visit nVent.com/HOFFMAN to download 2D and 3D CAD drawings into the overall design of your electrical system.



TX52 AC Models 83 W/°F (150 W/°C)



NOTE:
 1. MOUNTING GASKET SUPPLIED (NOW SHOWN)
 2. UNITS: in. [mm]



Visit nVent.com/HOFFMAN to download 2D and 3D CAD drawings into the overall design of your electrical system.

Notes



CLIMAGUARD AIR-TO-WATER INDOOR



WCHE01 2968 BTU/Hr. 870 Watts	WCHE04/WCHE06 7506/10577 BTU/Hr. 2200/3100 Watts	WCHE14 22861 BTU/Hr. 6700 Watts
-------------------------------------	--	---------------------------------------



INDUSTRY STANDARDS

UL/cUL Listed; Type 12; File No. SA33866

CE
EAC (230V models only)
IP55

APPLICATION

- Industrial process controls
- Industrial robotics controls
- Electronic cabinets in harsh environments
- Conveyor systems

FEATURES

- Capacities ranging from 870 watts to 6700 watts
- Filterless design
- NEMA power cord connection standard
- Copper pipe and aluminum fins heat exchanger core
- Air movers with thermal protection
- Regulating mechanical thermostat set at 35 C (95 F), differential of 4 C (7 F)
- Inside cabinet temperature from 10-50 C (50-122 F)
- Ambient operating temperature range from 10-70 C (50-158 F)
- Solenoid water valve
- UL Listed to save customers time and money with agency approvals
- Recovery of condensation system and condensation discharge pipe
- Requires an available cooled water source

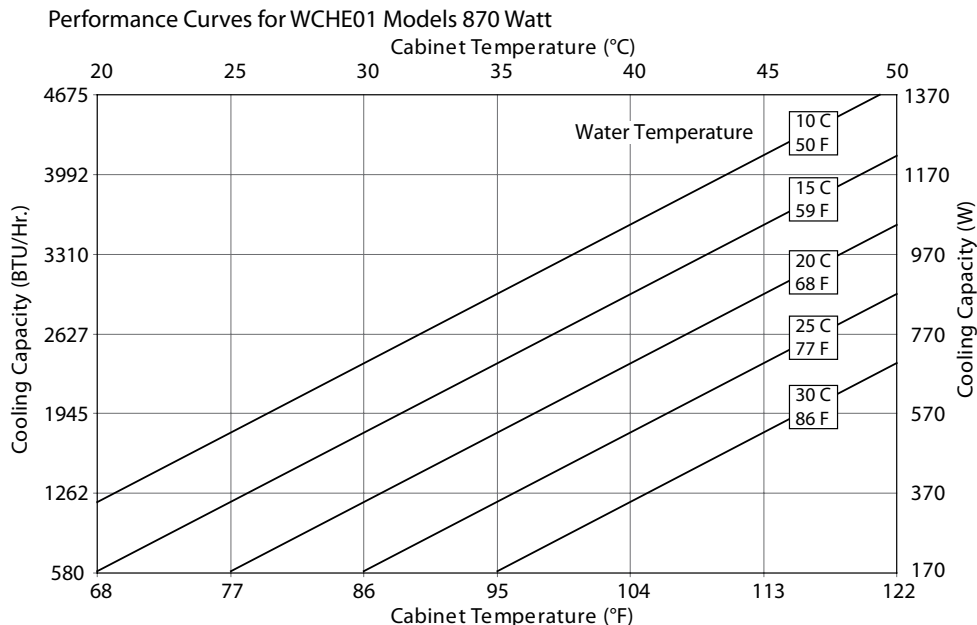
FINISH

- Standard models constructed of rugged steel
- RAL 7035 light-gray, powder-coat polyester paint

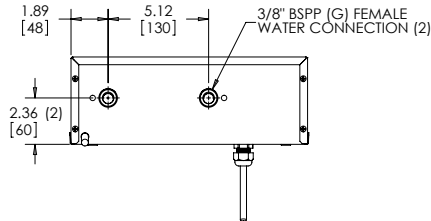
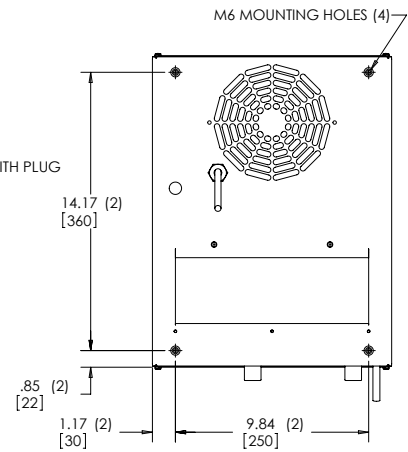
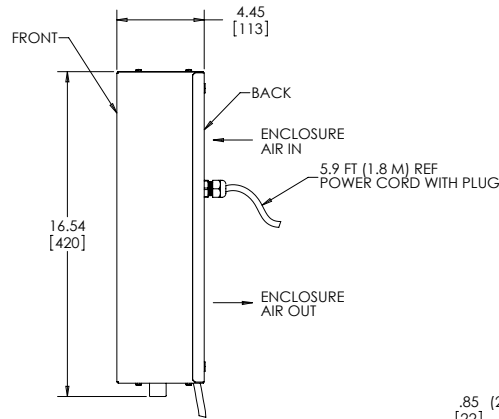
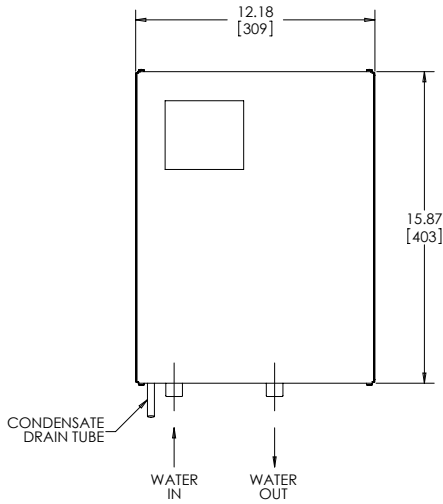
Performance Data **WCHE01 Models 870 Watt**



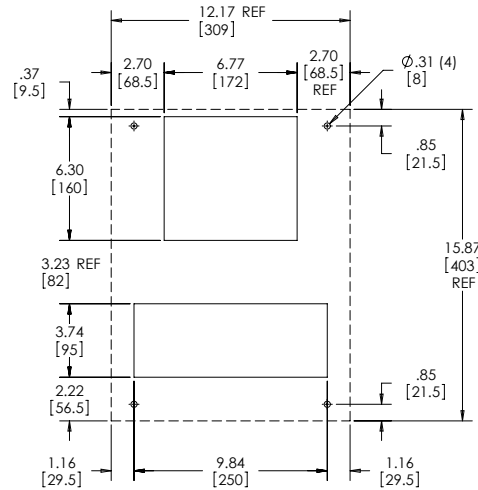
CATALOG NUMBER	WCHE01916002	WCHE01926002
COOLING PERFORMANCE		
Nominal:		
BTU/Hr. @ Δt 25 C	2968	2968
Watts @ Δt 25 C	870	870
Refrigerant	NA	NA
Refrigerant Charge (ounces/grams)	NA	NA
Inside Cabinet Temperature Range:		
Maximum (°F/°C)	122/50	122/50
Minimum (°F/°C)	50/10	50/10
Ambient Operating Temperature Range:		
Maximum (°F/°C)	158/70	158/70
Minimum (°F/°C)	50/10	50/10
Flow at 0 Static Pressure:		
Internal loop 50 Hz (Airflow: CFM / m ³ /hr.)	194/330	194/330
External loop 50 Hz (Waterflow: GPM @ 95 F)	0.66	0.66
Internal loop 60 Hz (Airflow: CFM / m ³ /hr.)	194/330	194/330
External loop 60 Hz (Waterflow: GPM @ 95 F)	0.66	0.66
ELECTRICAL DATA		
Rated Voltage	115	230
Frequency (Hz)	50/60	50/60
Operating Range	+/- 10%	+/- 10%
Max. Power Consumption (W at 50/60 Hz)	28	28
Max. Nominal Current (A at 50/60 Hz)	0.5	0.5
Starting Current (Amps)	0.7	0.7
Agency Approvals	UL/cUL Listed CE	UL/cUL Listed CE EAC
Power Input Description	Cord with NEMA 5-15 plug	Cord with NEMA 6-15 plug
ENCLOSURE PROTECTION		
UL Type	Type 12/IP55	Type 12/IP55
CONTROLLER		
Description	Basic Mechanical Thermostat	
Thermostat Location	Behind front cover, near the fan	
Factory Thermostat Setting (°F/°C)	95/35	95/35
SOUND LEVEL		
At 1.0 Meters	58 dBA	58 dBA
UNIT CONSTRUCTION		
Material	Mild Steel Sheet Metal Standard	
Finish	RAL 7035 light-gray, semi-textured powder-coat paint standard	
UNIT DIMENSIONS		
Height (in./mm)	15.9/404	15.9/404
Width (in./mm)	12.12/308	12.12/308
Depth (in./mm)	4.49/114	4.49/114
Weight (lb./kg)	19.84/9	19.84/9



WCHE01 Models 870 Watt



NOTE: "G" to NPT adapting valves are included and shipped with the unit.



89091145

CUTOUT DIMENSIONS

Visit nVent.com/HOFFMAN to download 2D and 3D CAD drawings into the overall design of your electrical system.



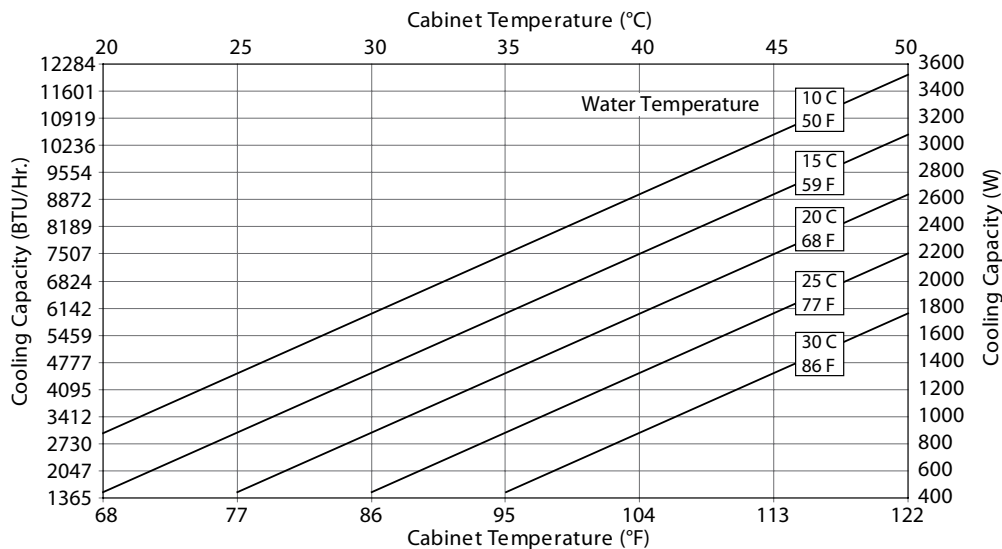
Performance Data **WCHE04 Models 2200 Watt**



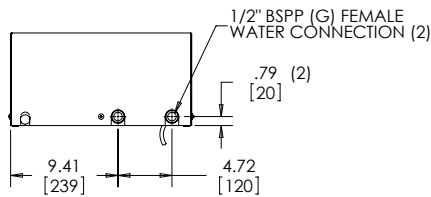
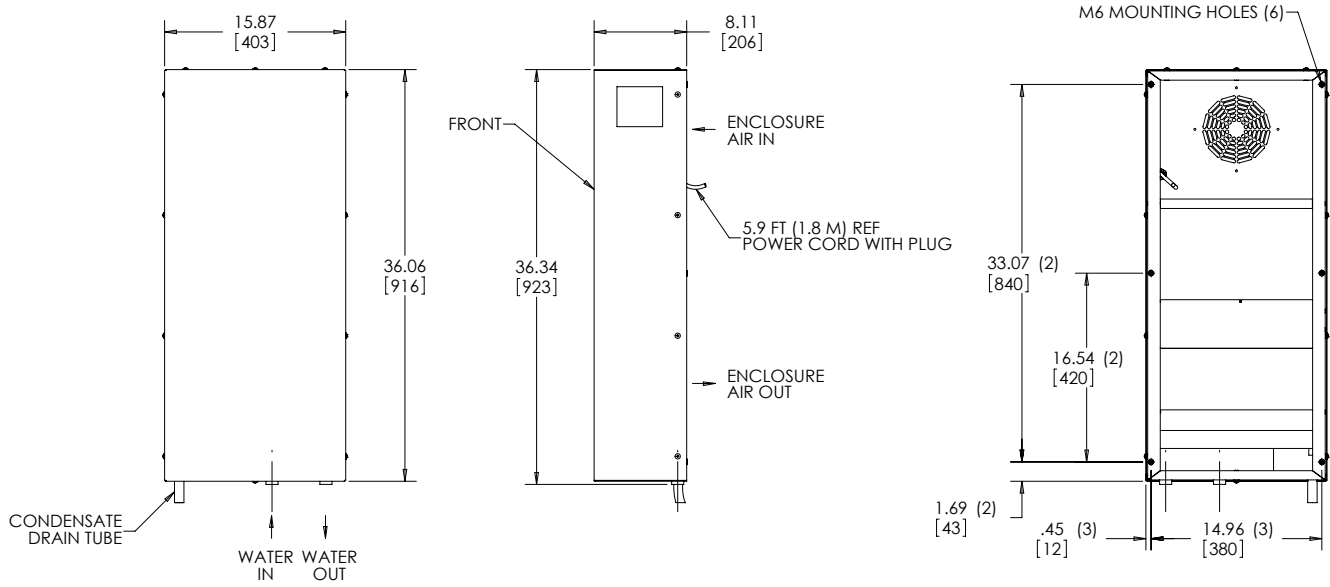
CATALOG NUMBER	WCHE04916002	WCHE04926002
COOLING PERFORMANCE		
Nominal:		
BTU/Hr. @ Δt 25 C	7506	7506
Watts @ Δt 25 C	2200	2200
Refrigerant	NA	NA
Refrigerant Charge (ounces/grams)	NA	NA
Inside Cabinet Temperature Range:		
Maximum (°F/°C)	122/50	122/50
Minimum (°F/°C)	50/10	50/10
Ambient Operating Temperature Range:		
Maximum (°F/°C)	158/70	158/70
Minimum (°F/°C)	50/10	50/10
Flow at 0 Static Pressure:		
Internal loop 50 Hz (Airflow: CFM / m ³ /hr.)	339/575	339/575
External loop 50 Hz (Waterflow: GPM @ 95 F)	0.66	0.66
Internal loop 60 Hz (Airflow: CFM / m ³ /hr.)	339/575	339/575
External loop 60 Hz (Waterflow: GPM @ 95 F)	0.66	0.66
ELECTRICAL DATA		
Rated Voltage	115	230
Frequency (Hz)	50/60	50/60
Operating Range	+/- 10%	+/- 10%
Max. Power Consumption (W at 50/60 Hz)	90	90
Max. Nominal Current (A at 50/60 Hz)	0.8	0.8
Starting Current (Amps)	1	1
Agency Approvals	UL/cUL Listed CE	UL/cUL Listed CE EAC
Power Input Description	Cord with NEMA 5-15 plug	Cord with NEMA 6-15 plug
ENCLOSURE PROTECTION		
UL Type	Type 12/IP55	Type 12/IP55
CONTROLLER		
Description	Basic Mechanical Thermostat	
Thermostat Location	Behind front cover, near the fan	
Factory Thermostat Setting (°F/°C)	95/35	95/35
SOUND LEVEL		
At 1.0 Meters	58 dBA	58 dBA
UNIT CONSTRUCTION		
Material	Mild Steel Sheet Metal Standard	
Finish	RAL 7035 light-gray, semi-textured powder-coat paint standard	
UNIT DIMENSIONS		
Height (in./mm)	36.41/925	36.41/925
Width (in./mm)	15.75/400	15.75/400
Depth (in./mm)	8.07/205	8.07/205
Weight (lb./kg)	44.1/20	44.1/20



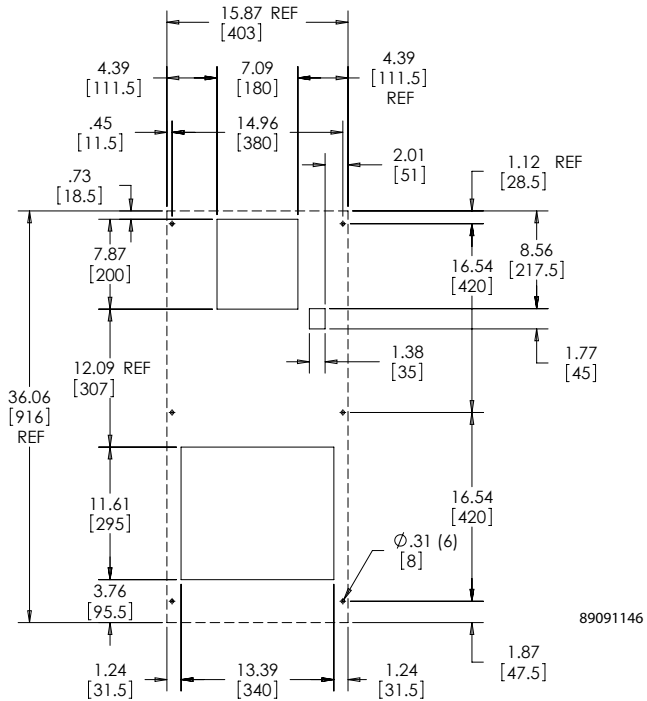
Performance Curves for WCHE04 Models 2200 Watt



WCHE04 Models 2200 Watt



NOTE: "G" to NPT adapting valves are included and shipped with the unit.



CUTOUT DIMENSIONS

Visit nVent.com/HOFFMAN to download 2D and 3D CAD drawings into the overall design of your electrical system.

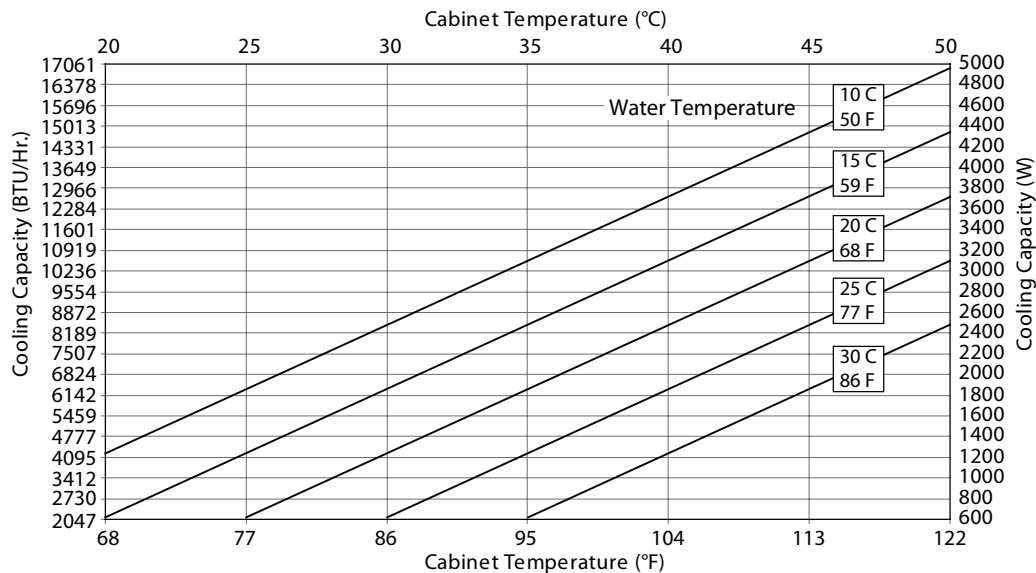
89091146

Performance Data **WCHE06 Models 3100 Watt**

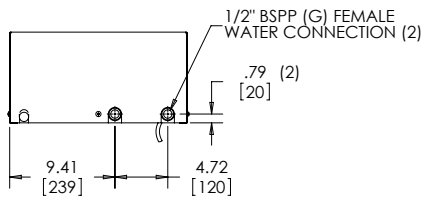
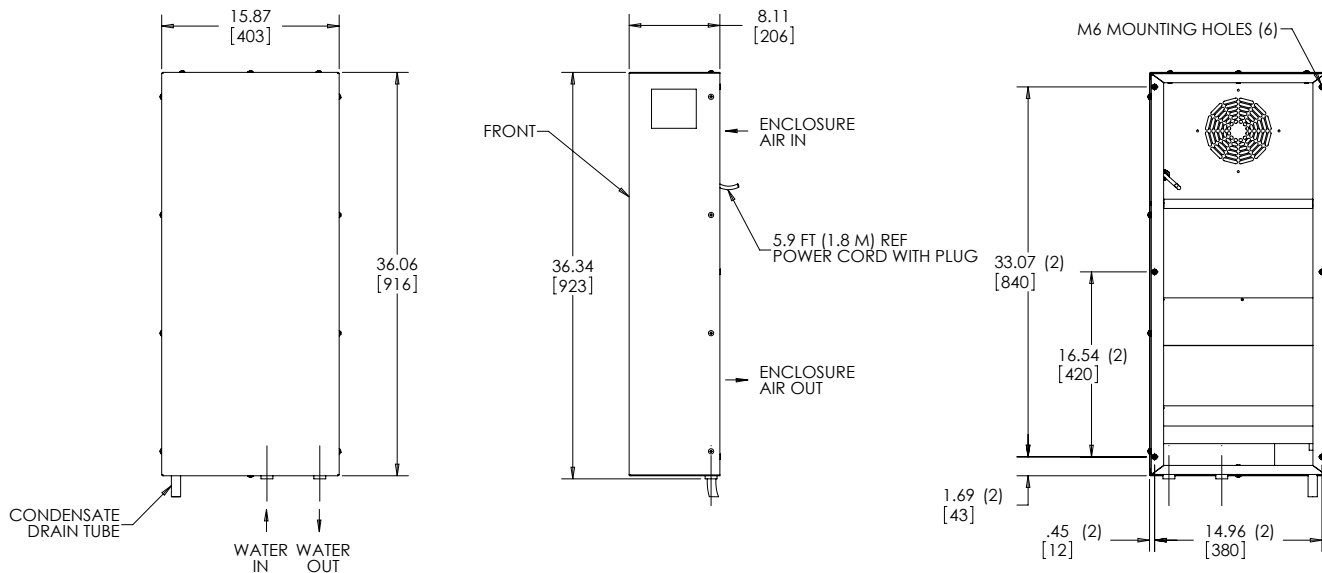
CATALOG NUMBER	WCHE06916002	WCHE06926002
COOLING PERFORMANCE		
Nominal:		
BTU/Hr. @ Δt 25 C	10577	10577
Watts @ Δt 25 C	3100	3100
Refrigerant	NA	NA
Refrigerant Charge (ounces/grams)	NA	NA
Inside Cabinet Temperature Range:		
Maximum (°F/°C)	122/50	122/50
Minimum (°F/°C)	50/10	50/10
Ambient Operating Temperature Range:		
Maximum (°F/°C)	158/70	158/70
Minimum (°F/°C)	50/10	50/10
Flow at 0 Static Pressure:		
Internal loop 50 Hz (Airflow: CFM / m ³ /hr.)	507/860	507/860
External loop 50 Hz (Waterflow: GPM @ 95 F)	2.2	2.2
Internal loop 60 Hz (Airflow: CFM / m ³ /hr.)	507/860	507/860
External loop 60 Hz (Waterflow: GPM @ 95 F)	2.2	2.2
ELECTRICAL DATA		
Rated Voltage	115	230
Frequency (Hz)	50/60	50/60
Operating Range	+/- 10%	+/- 10%
Max. Power Consumption (W at 50/60 Hz)	110	115
Max. Nominal Current (A at 50/60 Hz)	2	1
Starting Current (Amps)	2.4	1.2
Agency Approvals	UL/cUL Listed CE	UL/cUL Listed CE EAC
Power Input Description	Cord with NEMA 5-15 plug	Cord with NEMA 6-15 plug
ENCLOSURE PROTECTION		
UL Type	Type 12/IP55	Type 12/IP55
CONTROLLER		
Description	Basic Mechanical Thermostat	
Thermostat Location	Behind front cover, near the fan	
Factory Thermostat Setting (°F/°C)	95/35	95/35
SOUND LEVEL		
At 1.0 Meters	58 dBA	58 dBA
UNIT CONSTRUCTION		
Material	Mild Steel Sheet Metal Standard	
Finish	RAL 7035 light-gray, semi-textured powder-coat paint standard	
UNIT DIMENSIONS		
Height (in./mm)	36.41/925	36.41/925
Width (in./mm)	15.75/400	15.75/400
Depth (in./mm)	8.07/205	8.07/205
Weight (lb./kg)	46.3/21	46.3/21



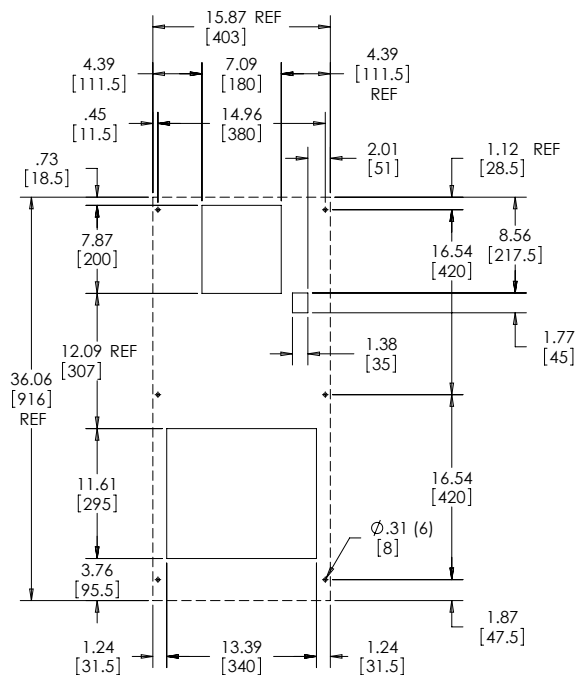
Performance Curves for WCHE06 Models 3100 Watt



WCHE06 Models 3100 Watt



NOTE: "G" to NPT adapting valves are included and shipped with the unit.



CUTOUT DIMENSIONS

89091147

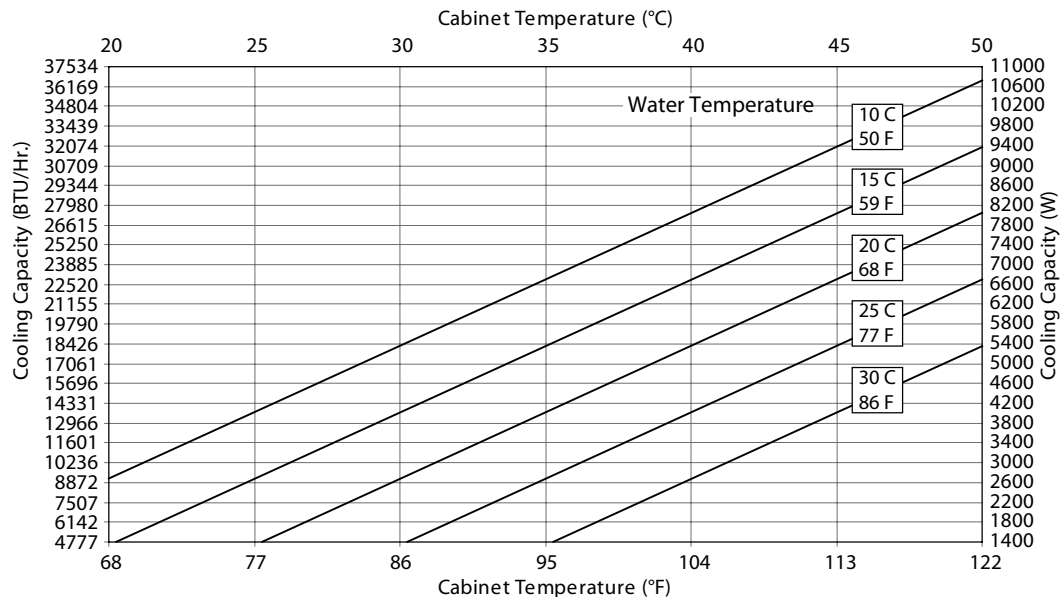
Visit nVent.com/HOFFMAN to download 2D and 3D CAD drawings into the overall design of your electrical system.

Performance Data **WCHE14 Models 6700 Watt**

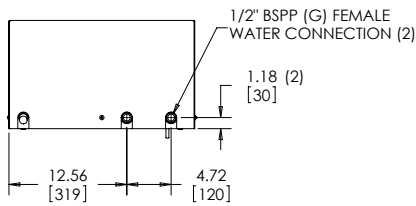
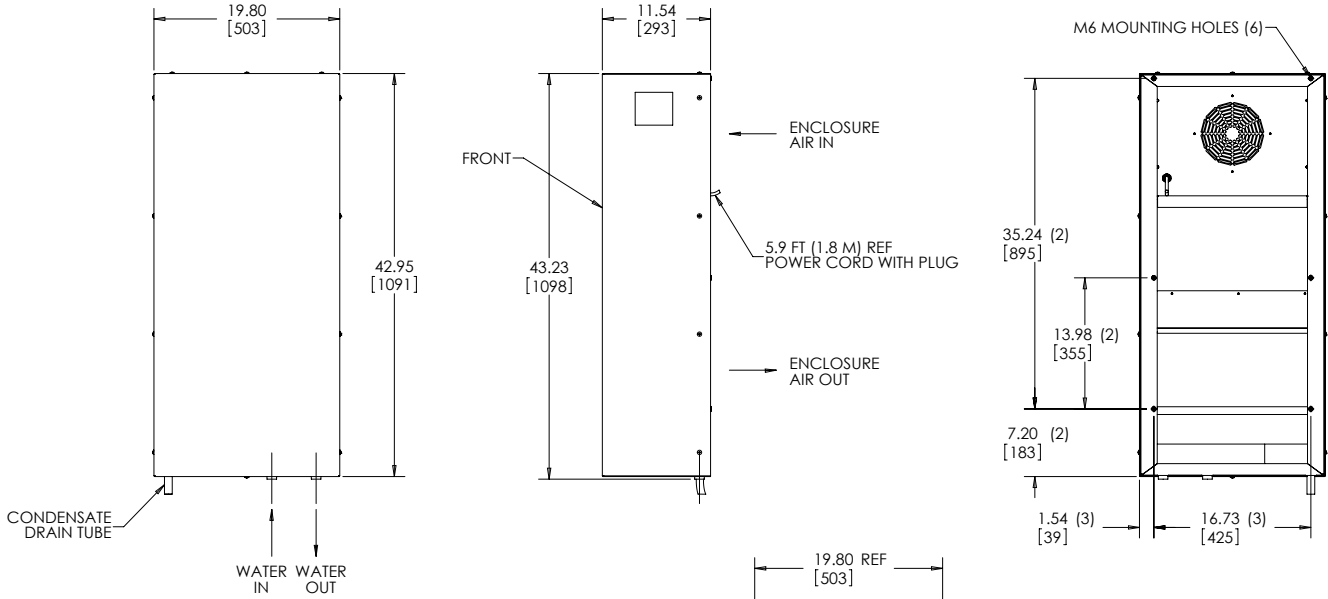
CATALOG NUMBER	WCHE14916002	WCHE14926002
COOLING PERFORMANCE		
Nominal:		
BTU/Hr. @ Δt 25 C	22861	22861
Watts @ Δt 25 C	6700	6700
Refrigerant	NA	NA
Refrigerant Charge (ounces/grams)	NA	NA
Inside Cabinet Temperature Range:		
Maximum (°F/°C)	122/50	122/50
Minimum (°F/°C)	50/10	50/10
Ambient Operating Temperature Range:		
Maximum (°F/°C)	158/70	158/70
Minimum (°F/°C)	50/10	50/10
Flow at 0 Static Pressure:		
Internal loop 50 Hz (Airflow: CFM / m ³ /hr.)	855/1450	855/1450
External loop 50 Hz (Waterflow: GPM @ 95 F)	3.78	3.78
Internal loop 60 Hz (Airflow: CFM / m ³ /hr.)	855/1450	855/1450
External loop 60 Hz (Waterflow: GPM @ 95 F)	3.78	3.78
ELECTRICAL DATA		
Rated Voltage	115	230
Frequency (Hz)	50/60	50/60
Operating Range	+/- 10%	+/- 10%
Max. Power Consumption (W at 50/60 Hz)	200	245
Max. Nominal Current (A at 50/60 Hz)	2	1.3
Starting Current (Amps)	2.4	1.4
Agency Approvals	UL/cUL Listed CE	UL/cUL Listed CE EAC
Power Input Description	Cord with NEMA 5-15 plug	Cord with NEMA 6-15 plug
ENCLOSURE PROTECTION		
UL Type	Type 12/IP55	Type 12/IP55
CONTROLLER		
Description	Basic Mechanical Thermostat	
Thermostat Location	Behind front cover, near the fan	
Factory Thermostat Setting (°F/°C)	95/35	95/35
SOUND LEVEL		
At 1.0 Meters	58 dBA	58 dBA
UNIT CONSTRUCTION		
Material	Mild Steel Sheet Metal Standard	
Finish	RAL 7035 light-gray, semi-textured powder-coat paint standard	
UNIT DIMENSIONS		
Height (in./mm)	43.34/1101	43.34/1101
Width (in./mm)	19.72/501	19.72/501
Depth (in./mm)	11.81/300	11.81/300
Weight (lb./kg)	86/39	86/39



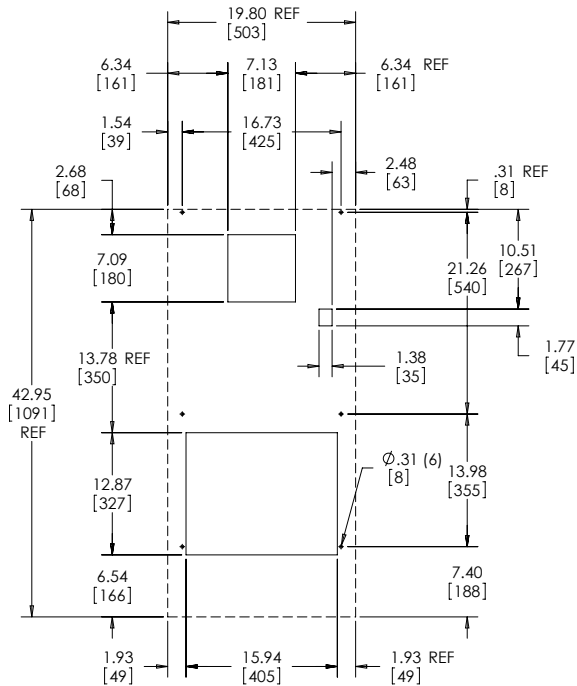
Performance Curves for WCHE14 Models 6700 Watt



WCHE14 Models 6700 Watt



NOTE: "G" to NPT adapting valves are included and shipped with the unit.



CUTOUT DIMENSIONS

89091148

Visit nVent.com/HOFFMAN to download 2D and 3D CAD drawings into the overall design of your electrical system.

Notes



THERMOELECTRIC COOLERS INDOOR/OUTDOOR

 Unshrouded
60, 100 and 200 Watts

 Shrouded
60, 100 and 200 Watts

INDUSTRY STANDARDS

UR, cUR Recognized; Type 12, 3R, 4, 4X; File No. SA6453

 CE
IP 65

APPLICATION

Thermoelectric Coolers minimize downtime and component loss by removing heat around critical components within an enclosure. These compact, low-profile coolers using the Peltier effect allow for cooling of small indoor and outdoor enclosures. No condensers, compressors or filters are required making it a reliable solution for demanding low-maintenance environments.

FEATURES

- DC Powered operation for 24V and 48V applications
- Low profile design allows for mounting vertically and horizontally on any enclosure to avoid interference with internal components
- Filterless design reduces maintenance requirements
- Contains no refrigerant, making it earth friendly
- Prewired with simple terminal block for easy wiring connections
- Operates on the Peltier effect for cooling or heating
- Compressor-free air conditioning for demanding indoor and outdoor applications
- Shrouded and unshrouded models included in standard packages
- Operating temperature range -40 C (-40 F) to 55 C (131 F)
- Partial recess mount

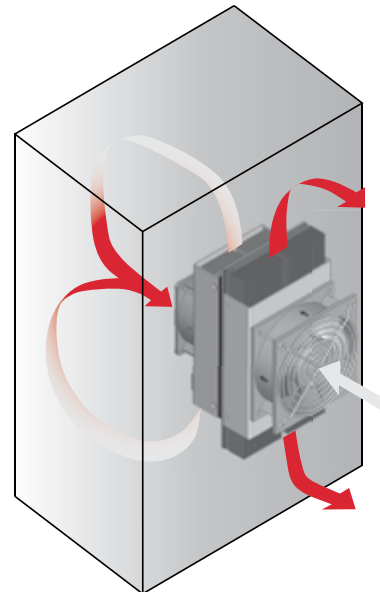
SPECIFICATIONS

- Models
 - 60 Watt, 24 Volt
 - 100 Watt, 24/48 Volt
 - 200 Watt, 24/48 Volt

FINISH

- Shrouded finish includes both powder coat paint RAL 7035 light gray standard and stainless steel 304

ACCESSORIES

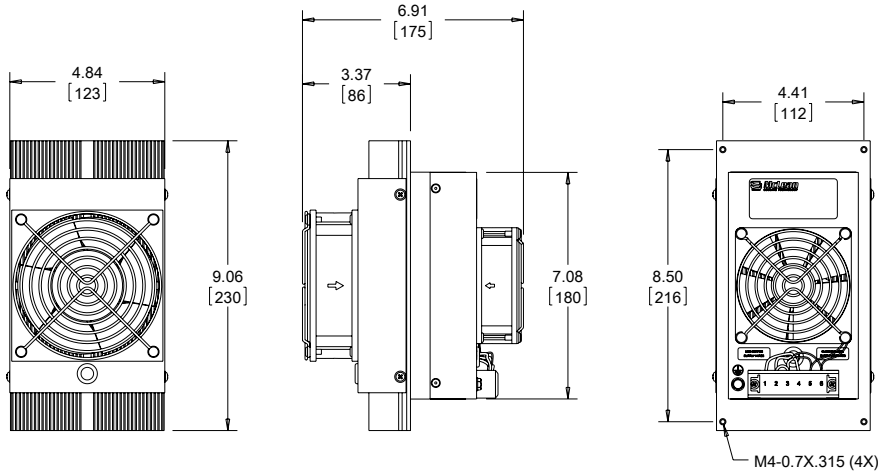
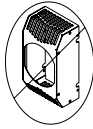
 Thermoelectric Temperature Controller
Thermoelectric Condensate Manager


Performance Data **TE09 60W 204 BTU/Hr. (24 V)**

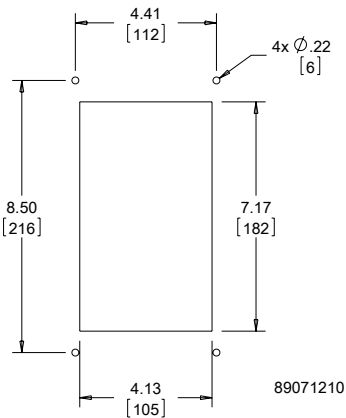
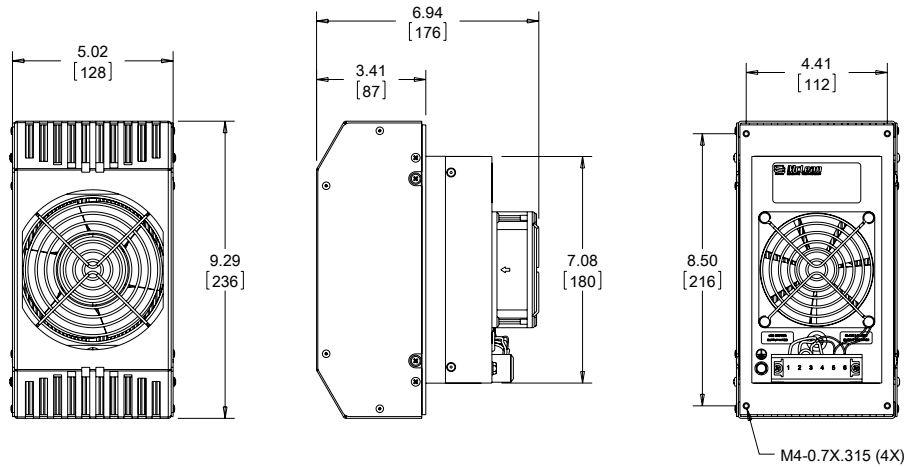
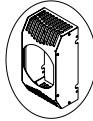
CATALOG NUMBERS			
Description	24V w/o shroud	24V w/ painted shroud	24V w/ SS shroud
Catalog Number	TE090624020	TE090624010	TE090624011
COOLING PERFORMANCE			
BTU/Hr.	178	178	178
Watts	52	52	52
Operating Temperature Range:			
Maximum (°C / °F)	55 / 131	55 / 131	55 / 131
Minimum (°C / °F)	-40 / -40	-40 / -40	-40 / -40
Air Flow at 0 Static Pressure:			
Internal loop (CFM / M ³ /Hr.)	24 / 41	24 / 41	24 / 41
External loop (CFM / M ³ /Hr.)	80 / 136	80 / 136	80 / 136
Nominal Heating Watts	64	64	64
ELECTRICAL DATA			
Input DC Voltage			
Nominal (VDC)	24	24	24
Minimum (VDC)	18	18	18
Maximum (VDC)	27.6	27.6	27.6
Power Consumption 95 F / 95 F (35 C / 35 C) (W)	89	89	89
Rated Current (Amps) at 131 F/131 F (55 C/55 C)	4.4	4.4	4.4
Agency Approvals	UR, cUR Recognized CE	UR, cUR Recognized CE	UR, cUR Recognized CE
Power Input Description	Terminal Block	Terminal Block	Terminal Block
ENCLOSURE PROTECTION			
UL Type / IP Rating	Type 12,3R,4,4X / IP 65	Type 12,3R,4 / IP 65	Type 12,3R,4,4X / IP 65
SOUND LEVEL			
At 1.5 Meters	65 dBA	65 dBA	65 dBA
UNIT CONSTRUCTION			
Heat Sink Material	Anodized Aluminum	Anodized Aluminum	Anodized Aluminum
Shroud Material	N/A	Galvanized Steel	Stainless Steel
Shroud Finish	N/A	RAL 7035 light-gray, semi-textured powder-coat paint standard	No. 4 Brushed Finish
UNIT DIMENSIONS			
Height (in. / mm)	9.06/230	9.29/236	9.29/236
Width (in. / mm)	4.84/123	5.02/128	5.02/128
Depth (in. / mm)	6.91/176	6.94/176	6.94/176
Weight (lb. / kg)	6.00/2.70	7.80/3.60	7.80/3.60



60 W 24 V



60 W 24 V



Cutout Dimensions

Visit nVent.com/HOFFMAN to download 2D and 3D CAD drawings into the overall design of your electrical system.

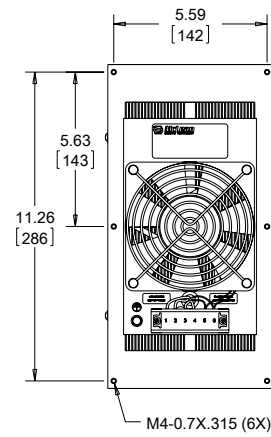
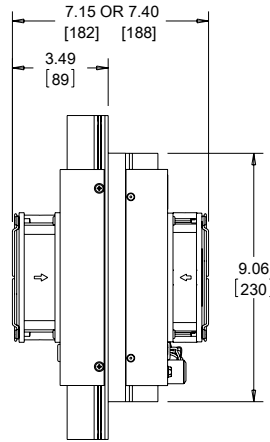
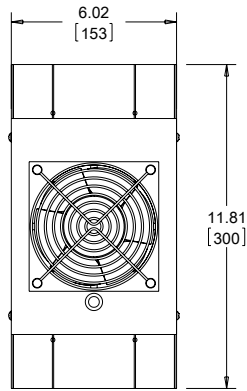
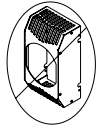


Performance Data **TE12 100W 341 BTU/Hr. (24/48 V)**

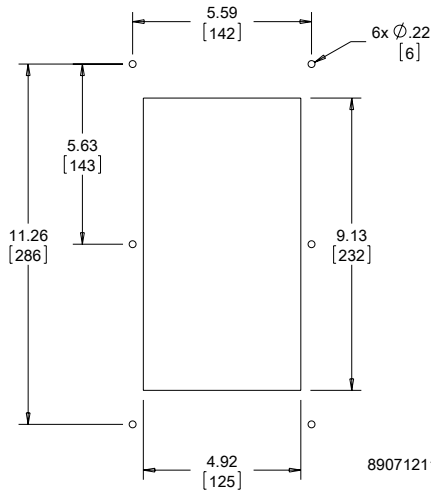
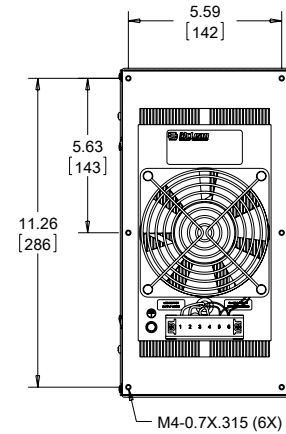
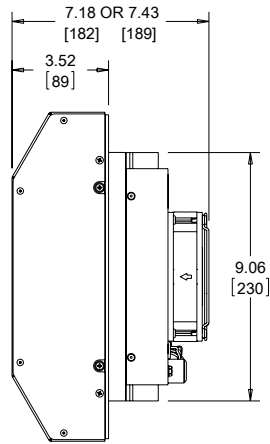
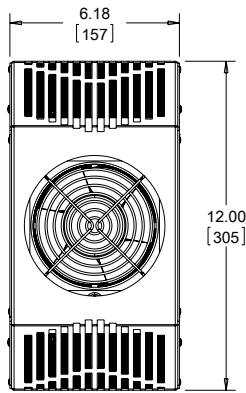
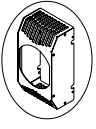
CATALOG NUMBERS					
Description	24V w/o shroud	24V w/ painted shroud	24V w/ SS shroud	48V w/o shroud	48V w/ painted shroud
Catalog Number	TE121024020	TE121024010	TE121024011	TE121048020	TE121048010
COOLING PERFORMANCE					
BTU/Hr.	321	321	321	321	321
Watts	94	94	94	94	94
Operating Temperature Range:					
Maximum (°C / °F)	55 / 131	55 / 131	55 / 131	55 / 131	55 / 131
Minimum (°C / °F)	-40 / -40	-40 / -40	-40 / -40	-40 / -40	-40 / -40
Air Flow at 0 Static Pressure:					
Internal loop (CFM / M ³ /Hr.)	62 / 105	62 / 105	62 / 105	62 / 105	62 / 105
External loop (CFM / M ³ /Hr.)	86 / 146	86 / 146	86 / 146	86 / 146	86 / 146
Nominal Heating Watts	94	94	94	94	94
ELECTRICAL DATA					
Input DC Voltage					
Nominal (VDC)	24	24	24	48	48
Minimum (VDC)	18	18	18	40	40
Maximum (VDC)	27.6	27.6	27.6	56.7	56.7
Power Consumption 95 F / 95 F (35 C / 35 C) (W)	162	162	162	162	162
Rated Current (Amps) at 131 F/131 F (55 C/55 C)	8.5	8.5	8.5	4.4	4.4
Agency Approvals	UR, cUR Recognized CE GOST	UR, cUR Recognized CE GOST	UR, cUR Recognized CE GOST	UR, cUR Recognized CE GOST	UR, cUR Recognized CE GOST
Power Input Description	Terminal Block	Terminal Block	Terminal Block	Terminal Block	Terminal Block
ENCLOSURE PROTECTION					
UL Type / IP Rating	Type 12,3R,4,4X / IP 65	Type 12,3R,4 / IP 65	Type 12,3R,4,4X / IP 65	Type 12,3R,4,4X / IP 65	Type 12,3R,4 / IP 65
SOUND LEVEL					
At 1.5 Meters	68 dBA	68 dBA	68 dBA	68 dBA	68 dBA
UNIT CONSTRUCTION					
Heat Sink Material	Anodized Aluminum	Anodized Aluminum	Anodized Aluminum	Anodized Aluminum	Anodized Aluminum
Shroud Material	N/A	Galvanized Steel	Stainless Steel	N/A	Galvanized Steel
Shroud Finish	N/A	RAL 7035 light-gray, semi-textured powder-coat paint standard	No. 4 Brushed Finish	N/A	RAL 7035 light-gray, semi-textured powder-coat paint standard
UNIT DIMENSIONS					
Height (in. / mm)	11.81/300	12.00/305	12.00/305	11.81/300	12.00/305
Width (in. / mm)	6.02/153	6.18/157	6.18/157	6.02/153	6.18/157
Depth (in. / mm)	7.40/188	7.43/189	7.43/189	7.40/188	7.43/189
Weight (lb. / kg)	8.50/3.90	11.00/5.00	11.00/5.00	8.50/3.90	11.00/5.00



100 W 24/48 V



100 W 24/48 V



Cutout Dimensions

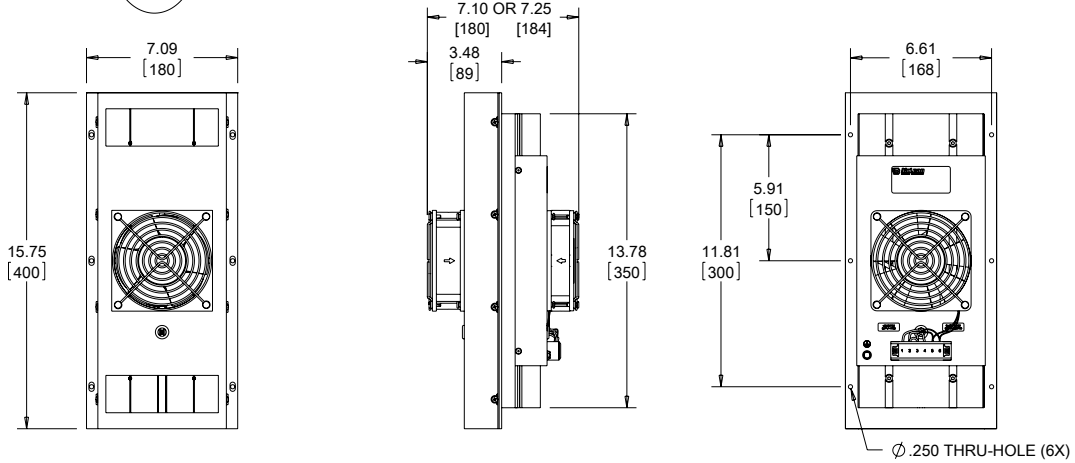
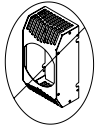
Visit nVent.com/HOFFMAN to download 2D and 3D CAD drawings into the overall design of your electrical system.

Performance Data **TE16 200W 682 BTU/Hr. (24/48 V)**

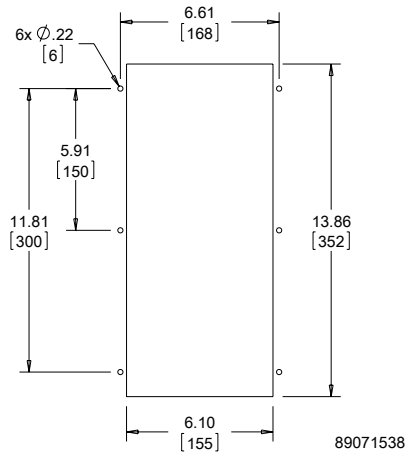
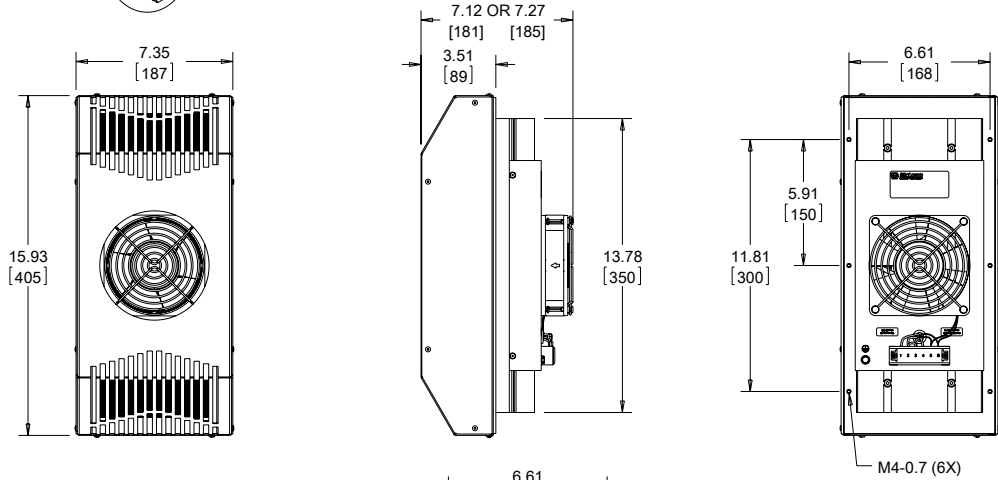
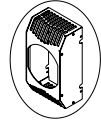
CATALOG NUMBERS					
Description	24V w/o shroud	24V w/ painted shroud	24V w/ SS shroud	48V w/o shroud	48V w/ painted shroud
Catalog Number	TE162024020	TE162024010	TE162024011	TE162048020	TE162048010
COOLING PERFORMANCE					
BTU/Hr.	567	567	567	567	567
Watts	166	166	166	166	166
Operating Temperature Range:					
Maximum (°C / °F)	55 / 131	55 / 131	55 / 131	55 / 131	55 / 131
Minimum (°C / °F)	-40 / -40	-40 / -40	-40 / -40	-40 / -40	-40 / -40
Air Flow at 0 Static Pressure:					
Internal loop (CFM / M ³ /Hr.)	62 / 105	62 / 105	62 / 105	62 / 105	62 / 105
External loop (CFM / M ³ /Hr.)	86 / 146	86 / 146	86 / 146	86 / 146	86 / 146
Nominal Heating Watts	146	146	146	146	146
ELECTRICAL DATA					
Input DC Voltage					
Nominal (VDC)	24	24	24	48	48
Minimum (VDC)	18	18	18	40	40
Maximum (VDC)	27.6	27.6	27.6	56.7	56.7
Power Consumption 95 F / 95 F (35 C / 35 C) (W)	295	295	295	295	295
Rated Current (Amps) at 131 F/131 F (55 C/55 C)	14.7	14.7	14.7	7.6	7.6
Agency Approvals	UR, cUR Recognized CE GOST	UR, cUR Recognized CE GOST	UR, cUR Recognized CE GOST	UR, cUR Recognized CE GOST	UR, cUR Recognized CE GOST
Power Input Description	Terminal Block	Terminal Block	Terminal Block	Terminal Block	Terminal Block
ENCLOSURE PROTECTION					
UL Type / IP Rating	Type 12,3R,4,4X / IP 65	Type 12,3R,4 / IP 65	Type 12,3R,4,4X / IP 65	Type 12,3R,4,4X / IP 65	Type 12,3R,4 / IP 65
SOUND LEVEL					
At 1.5 Meters	68 dBA	68 dBA	68 dBA	68 dBA	68 dBA
UNIT CONSTRUCTION					
Heat Sink Material	Anodized Aluminum	Anodized Aluminum	Anodized Aluminum	Anodized Aluminum	Anodized Aluminum
Shroud Material	N/A	Galvanized Steel	Stainless Steel	N/A	Galvanized Steel
Shroud Finish	N/A	RAL 7035 light-gray, semi-textured powder-coat paint standard	No. 4 Brushed Finish	N/A	RAL 7035 light-gray, semi-textured powder-coat paint standard
UNIT DIMENSIONS					
Height (in. / mm)	15.75/400	15.93/405	15.93/405	15.75/400	15.93/405
Width (in. / mm)	7.09/180	7.35/187	7.35/187	7.09/180	7.35/187
Depth (in. / mm)	7.25/184	7.27/185	7.27/185	7.25/184	7.27/185
Weight (lb. / kg)	14.80/6.70	18.60/8.40	18.60/8.40	14.80/6.70	18.60/8.40



200 W 24/48 V



200 W 24/48 V



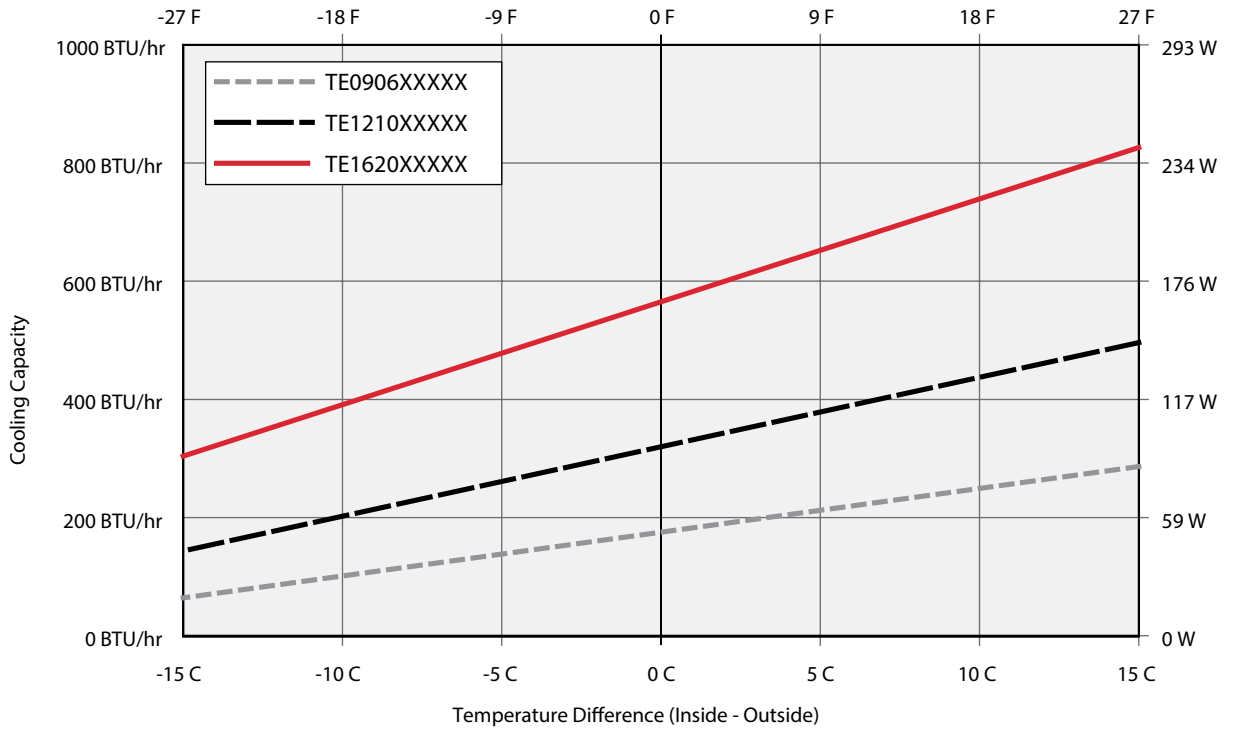
Cutout Dimensions

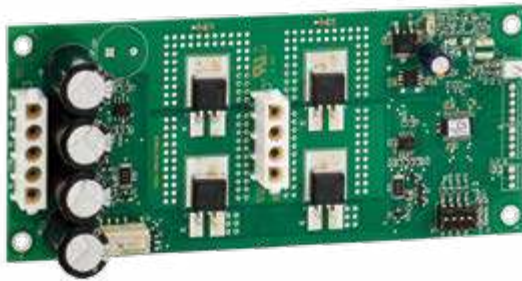
89071538

Visit nVent.com/HOFFMAN to download 2D and 3D CAD drawings into the overall design of your electrical system.



Cooling Capacity versus Temperature D at 35 C (95 F) Ambient Difference



THERMOELECTRIC TEMPERATURE CONTROLLER

INDUSTRY STANDARDS

UL Recognized; File No. 60730

FEATURES

- Provides PWM regulation of cooling and heating output for TEC units
- Automatically switches between cooling and heating
- 4 cooling temperature set points range from 22.5 C to 35 C (35 C Factory Setting)
- 3 heating temperature set points range from -5 C to 15 C (15 C Factory Setting)
- Heating function can be easily disabled if desired
- On-board LEDs indicate low temp, high temp alarm, and overall system status
- Dry contact relay output provides for external alarm indication

Performance Data

CATALOG NUMBERS		
	TEC24VCNTRLN	TEC48VCNTRLN
ELECTRICAL DATA		
Rated Voltage (VDC)	24	48
Operating Range (VDC)	18 to 30	40 to 60
Current @ Rated Voltage (Amps)	17.2	8.6
Operating Temperature Range		
Maximum (°F/°C)	131 / 55	
Minimum (°F/°C)	-40 / -40	
Temperature Accuracy (°F/°C)	± 3.6 / 2.0	
Alarm Contact Rating	1) 0.5 A max @ 24 VDC - from same source of power as unit, SELV, non-power limited (greater than 15 W); OR 2) 0.5 A max @ 24 VAC - from, SELV, Class 2 safety isolating transformer.	1) 0.5 A max @ 48 VDC - from same source of power as unit, SELV, non-power limited (greater than 15 W); OR 2) 0.5 A max @ 24 VAC - from, SELV, Class 2 safety isolating transformer.
UNIT DIMENSIONS		
PCB Dimensions		
Height (in/mm)	1.20 / 30	
Width (in/mm)	2.88 / 73	
Length (in/mm)	6.50 / 165	
Weight (lb./kg)	0.21 / 0.10	
Mounting Bracket Dimensions		
Height (in/mm)	0.50 / 13	
Width (in/mm)	3.19 / 91	
Length (in/mm)	6.50 / 165	
Weight (lb./kg)	0.29 / 0.13	
Accessories		
Input Supply Harness	60-in. (1525mm) long Supply Harness Catalog Number TECSUPPLYHARNESS	
Board to TEC Harness	36-in. (915mm) long Control Harness Catalog Number TECCONTROLHARNESS	



THERMOELECTRIC CONDENSATE MANAGER



INDUSTRY STANDARDS

Maintains UL/cUL Type 3R, 12, 4 and 4X rating when properly installed

FEATURES

- Includes all required hardware and vent drain
- Maintains the integrity of Type 4 or Type 4X enclosure
- Drains condensation to bottom of enclosure via vent drain (vent drain included with package)
- Utilizes existing mounting holes and fasteners of thermoelectric cooler that requires no additional mounting

FINISH

- Pan Material Galvanized steel polyester powder coat paint with RAL 7035
- Vent drain material options include stainless steel or non-metallic

Performance Data

CATALOG NUMBERS						
	TEC60WCMS4	TEC60WCMNM	TEC100WCMS4	TEC100WCMNM	TEC200WCMS4	TEC200WCMNM
Fits TEC Unit Model	All TE09	All TE09	All TE12	All TE12	All TE16	All TE16
UNIT CONSTRUCTION						
Pan Material	Galvanized Steel					
Pan Finish	RAL 7035 light-gray, semi-textured powder-coat paint standard					
Vent Drain Material	Stainless Steel	Non-Metallic	Stainless Steel	Non-Metallic	Stainless Steel	Non-Metallic
UNIT DIMENSIONS						
Height (in./mm)	.75/19	.75/19	.75/19	.75/19	.75/19	.75/19
Width (in./mm)	5.50/140	5.50/140	6.25/159	6.25/159	7.44/189	7.44/189
Depth (in./mm)	2.50/64	2.50/64	2.50/64	2.50/64	2.50/64	2.50/64



VORTEX COOLERS INDOOR/OUTDOOR



INDUSTRY STANDARDS

NEMA Type 4 Models:

Maintains UL/cUL Type 4 when properly installed on a UL/cUL Type 4 enclosure.

UL508 Listed; Type 4; File No. E187045

NEMA Type 4X Models:

Maintains UL/cUL Type 4X when properly installed on a UL/cUL Type 4X enclosure.

UL508 Listed; Type 4X; File No. E187045

NEMA Type 12 Models:

Maintains UL/cUL Type 12 when properly installed on a UL/cUL Type 12 enclosure.

UL508 Listed; Type 12; File No. E187045

APPLICATION

Powered by compressed air, Vortex Cooling Systems generate chilled air to cool small enclosures without refrigerants or moving parts. These systems are exceptionally reliable and low maintenance, even in the harshest and dirtiest environments.

FEATURES

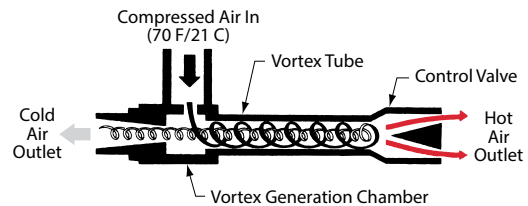
- Five-micron airline filter, 115 V solenoid
- Thermostat
- Ducting kit
- Cooling capacities to 2500 BTU/Hr. (733 W)

FINISH

Brushed satin aluminum or stainless steel

ACCESSORIES

Vortex Cooling Oil Filters



Vortex Tube Air Flow Schematic



Performance Data **VC Series NEMA Type 12**

CATALOG NUMBERS				
Aluminum	VC0416012	VC0916012	VC1516012	VC2516012
COOLING PERFORMANCE				
Cooling Capacity (BTU/Hr.)	400	900	1500	2500
Cooling Capacity (Watts)	117	264	440	733
Compressed Air Consumption (SCFM)	8	15	25	35
Compressed Air Consumption (L ³ /M)	227	425	708	991
SOUND LEVEL				
Noise Level (dB)	69	80	83	90
ENCLOSURE PROTECTION				
UL Type	Type 12			
ELECTRICAL DATA				
Rated Voltage	115	115	115	115
Frequency (Hz)	50/60	50/60	50/60	50/60
UNIT DIMENSIONS				
Weight (lb./kg)	5/2.27	6/2.72	6/2.72	6/2.72

Performance Data **VC Series NEMA Type 4, 4X**

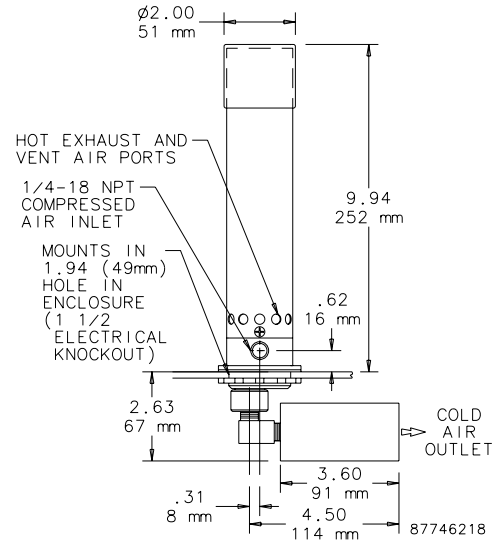
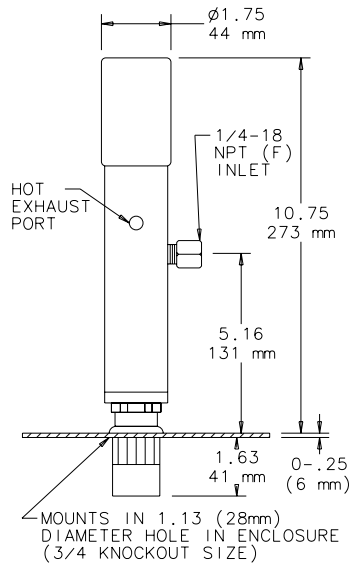
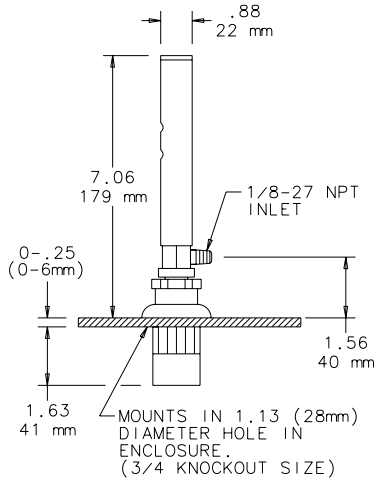
CATALOG NUMBERS			
Aluminum	VC0916004	VC1716004	VC2516004
Stainless Steel	VC091604X	VC171604X	VC251604X
COOLING PERFORMANCE			
Cooling Capacity (BTU/Hr.)	900	1700	2500
Cooling Capacity (Watts)	264	498	733
Compressed Air Consumption (SCFM)	15	25	35
Compressed Air Consumption (L ³ /M)	425	708	991
SOUND LEVEL			
Noise Level (dB)	83	86	90
ENCLOSURE PROTECTION			
UL Type	Type 4, 4X		
ELECTRICAL DATA			
Rated Voltage	115	115	115
Frequency (Hz)	50/60	50/60	50/60
UNIT DIMENSIONS			
Weight (lb./kg)	6/2.72	6/2.72	6/2.72



NEMA Type 12 - 400 BTU/Hr.

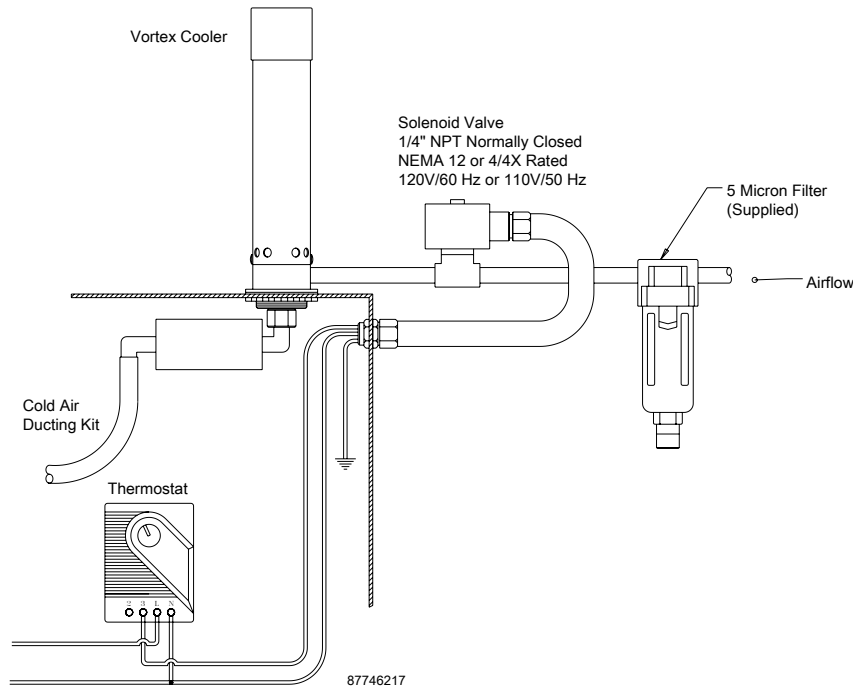
NEMA Type 12 - 900, 1500, 2500 BTU/Hr.

NEMA Type 4X 900, 1700, 2500 BTU/Hr.



ENCLOSURE COOLER MUST REMAIN IN A VERTICAL ORIENTATION TO MAINTAIN NEMA 4/4X RATINGS.

Typical Installation



QUIET VORTEX A/C ENCLOSURE COOLERS, TYPE 4/4X/12



VA09, VA15, VA25
NEMA Type 4/4X



VA09, VA15, VA25
NEMA Type 12



VA50
NEMA Type 4/4X



VA50
NEMA Type 12



INDUSTRY STANDARDS

NEMA Type 4,4X Models:

Maintains UL/cUL Type 4, 4X when properly installed on a UL/cUL Type 4, 4X enclosure.
UL508 Listed; Type 4, 4X; File No. E249700

IP66

NEMA Type 12 Models:

Maintains UL/cUL Type 12 when properly installed on a UL/cUL Type 12 enclosure.
UL508 Listed; Type 12; File No. E249700

IP54

APPLICATION

Vortex A/C Enclosure Coolers keep enclosures cool, clean and protect even in the harshest environments. Offering flexible installation, these enclosure coolers are ideal in space-restrictive areas where compressed air is readily available. With almost no moving parts, these enclosure coolers are highly reliable and virtually maintenance free.

FEATURES

- Mechanical thermostat reduces energy consumption
- Top, side, and front mount allows for versatile installation in confined areas
- Quieter operation with noise level of 60-75 dB
- Cooling capacities up to 5000 BTU/Hr. (1465 W)
- Supplied with five-micron, automatic drain compressed air filter, cold ducting kit, and cold air muffler
- Operates in environments up to 175 F (80 C)

FINISH

- NEMA Type 4,4X models: Polycarbonate and stainless steel exterior; aluminum and brass internal components
- NEMA Type 12 models: Polycarbonate and aluminum exterior; aluminum and brass internal components

ACCESSORIES

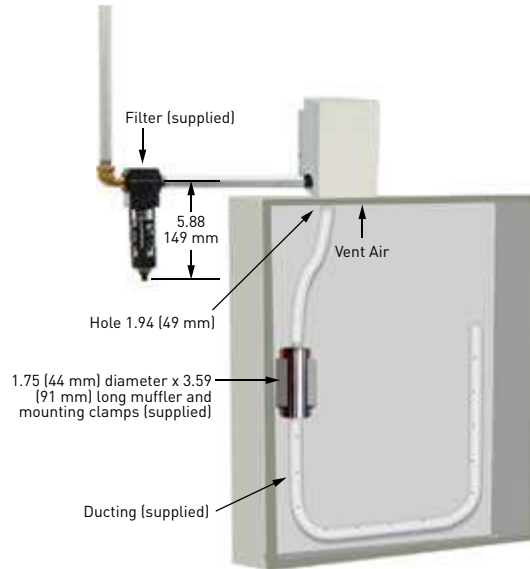
- Vortex Cooling Air Filters
- Vortex Cooling Oil Filters
- Vortex Cooling Generator Kits
- Vortex Cooling VA Series Air Ducting

Performance Data VA Series NEMA Type 4, 4X

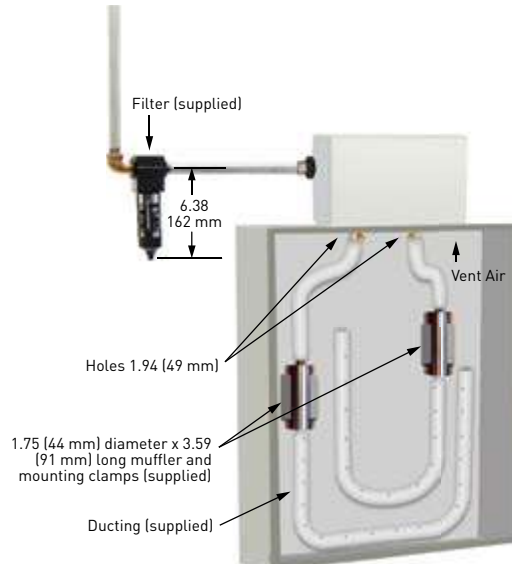


CATALOG NUMBERS	VA091604X	VA151604X	VA251604X	VA501604X
COOLING PERFORMANCE				
Cooling Capacity (BTU/Hr.)	900	1500	2500	5000
Cooling Capacity (Watts)	264	440	733	1465
Compressed Air Consumption (SCFM)	15	25	35	70
Compressed Air Consumption (SLPM)	425	708	991	1982
SOUND LEVEL				
Noise Level (dB)	60	66	72	75
ENCLOSURE PROTECTION				
UL Type	Type 4, 4X			
IP	IP66			
UNIT DIMENSIONS				
Height (in./mm)	8.00/203	8.00/203	8.00/203	6.44/164
Width (in./mm)	4.75/121	4.75/121	4.75/121	9.44/240
Depth (in./mm)	5.38/137	5.38/137	5.38/137	5.56/141
Weight (lb./kg)	6.3/2.86	6.3/2.86	6.4/2.90	11.0/4.99

VA09, VA15, VA25, Type 4/4X



VA50, Type 4/4X

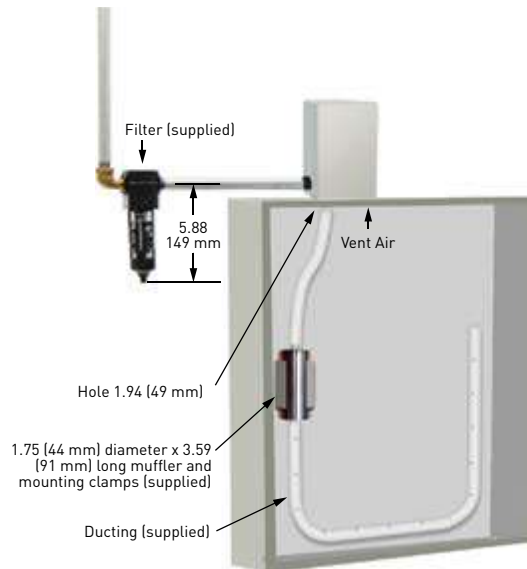


Performance Data **VA Series NEMA Type 12**

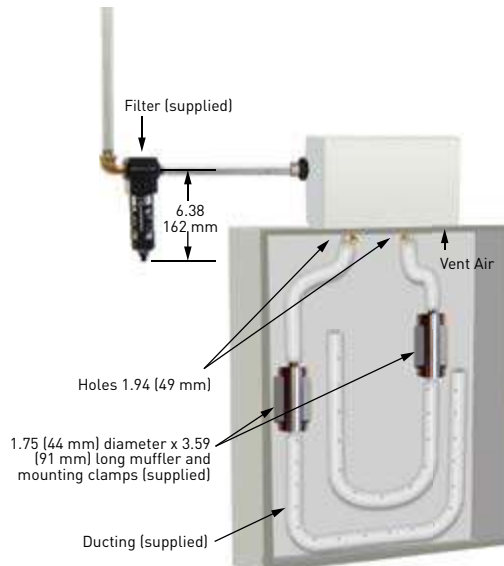
CATALOG NUMBERS				
	VA0916012	VA1516012	VA2516012	VA5016012
COOLING PERFORMANCE				
Cooling Capacity (BTU/Hr.)	900	1500	2500	5000
Cooling Capacity (Watts)	264	440	733	1465
Compressed Air Consumption (SCFM)	15	25	35	70
Compressed Air Consumption (SLPM)	425	708	991	1982
SOUND LEVEL				
Noise Level (dB)	60	66	72	75
ENCLOSURE PROTECTION				
UL Type	Type 12			
IP	IP54			
UNIT DIMENSIONS				
Height (in./mm)	8.00/203	8.00/203	8.00/203	6.44/164
Width (in./mm)	4.75/121	4.75/121	4.75/121	9.44/240
Depth (in./mm)	3.56/90	3.56/90	3.56/90	4.25/108
Weight (lb./kg)	4.9/2.22	4.9/2.22	5.0/2.27	7.7/3.50



VA09, VA15, VA25, Type 12



VA50, Type 12



VORTEX A/C ENCLOSURE COOLERS, HAZARDOUS LOCATION



VHL09, VHL15, VHL25

VHL50

APPLICATION

Hazardous Location Vortex A/C Enclosure Coolers keep enclosures cool, clean and protect even in hazardous environments. These systems are ideal for applications where compressed air is available in hazardous locations. With almost no moving parts, these systems are highly reliable and virtually maintenance free.

FEATURES

- Approved for a 175 F (80 C) maximum ambient temperature in Class I, Div. 2; Class II, Div. 2; and Class III areas
- Mechanical thermostat reduces energy consumption
- Top, side, and front mount allows for versatile installation in confined areas
- Quieter operation with noise level of 60-75 dB
- Supplied with five-micron, automatic drain compressed air filter, cold ducting kit, cold air muffler, and check valve
- Cooling capacities up to 5000 BTU/Hr. (1465 W)

FINISH

- Polycarbonate and stainless steel exterior with aluminum and brass internal components

ACCESSORIES

Vortex Cooling Air Filters
 Vortex Cooling Oil Filters
 Vortex Cooling Generator Kits
 Vortex Cooling VHL Series Air Ducting

3

INDUSTRY STANDARDS

Hazardous Location Models:

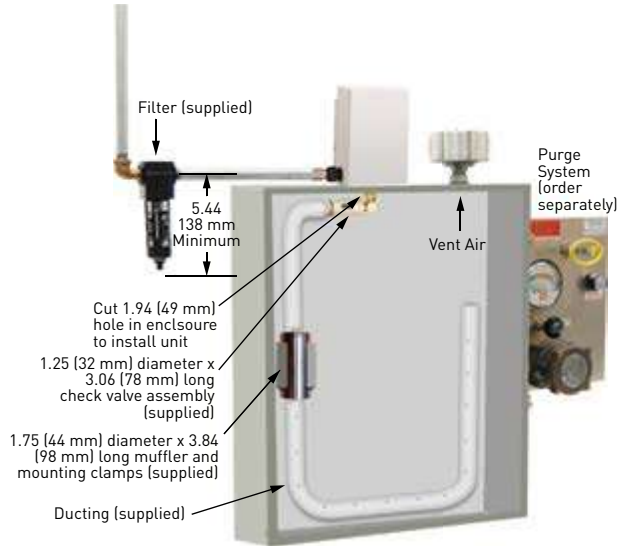
UL Classified for Class 1, Div. 2, Groups A through D; Class II, Div. 2, Groups F & G; and Class III locations (when used with an approved purge/pressurization system); File No. E364567. Maintains UL/cUL Type 4, 4X when properly installed on a UL/cUL Type 4, 4X enclosure.

Performance Data VHL Series for Hazardous Locations

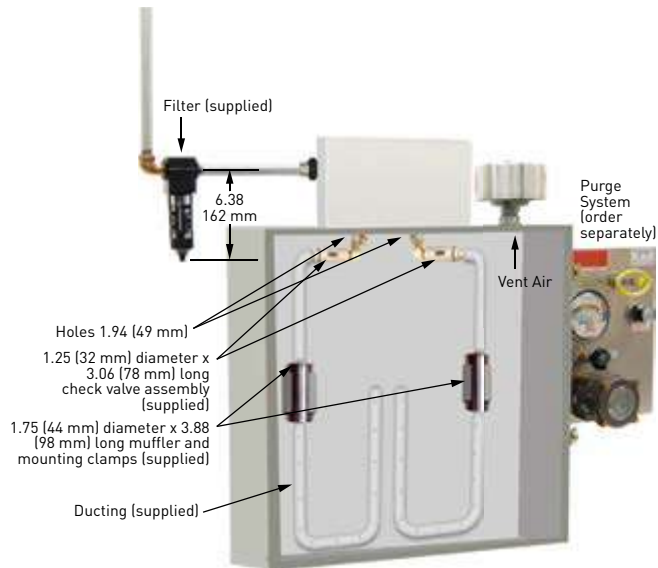
CATALOG NUMBERS				
	VHL09160	VHL15160	VHL25160	VHL50160
COOLING PERFORMANCE				
Cooling Capacity (BTU/Hr.)	900	1500	2500	5000
Cooling Capacity (Watts)	264	440	733	1465
Compressed Air Consumption (SCFM)	15	25	35	70
Compressed Air Consumption (SLPM)	425	708	991	1982
SOUND LEVEL				
Noise Level (dB)	60	66	72	75
ENCLOSURE PROTECTION				
UL Classified	Class 1, Div. 2, Groups A-D; Class II, Div. 2, Groups F & G, Class III			
UNIT DIMENSIONS				
Height (in./mm)	8.00/203	8.00/203	8.00/203	6.44/164
Width (in./mm)	4.75/121	4.75/121	4.75/121	9.44/240
Depth (in./mm)	5.38/137	5.38/137	5.38/137	5.56/141
Weight (lb./kg)	6.70/3.04	6.7/3.04	6.8/3.08	11.4/5.17



VHL09, VHL15, VHL25 HAZLOC



VHL50 HAZLOC



VORTEX COOLING AIR FILTERS



- 5-micron compressed air filter with automatic condensate drain
- Polycarbonate bowl with metal bowl guard
- 125 F (52 C) maximum temperature
- 150 psig maximum pressure

CATALOG NUMBER	Use with Model Capacity	SCFM	Ports
VAAF15	Up to 1500 BTU/Hr.	25	3/8 NPT
VAAF25	Up to 2500 BTU/Hr.	50	3/8 NPT
VAAF50	Up to 5000 BTU/Hr.	150	3/4 NPT

VORTEX COOLING OIL FILTERS



- .01 micron oil removal filter with automatic condensate drain
- Polycarbonate bowl with metal bowl guard
- 125 F (52 C) maximum temperature
- 150 psig maximum pressure

CATALOG NUMBER	Use with Model Capacity	SCFM	Ports
VCOF17	Up to 1500 BTU/Hr.	25	3/8 NPT
VCOF25	Up to 5000 BTU/Hr.	70	1/2 NPT

3

VORTEX COOLING GENERATOR KITS



- Vortex accessory generator kits
- Nylon generator and bushing

CATALOG NUMBER	Use with Model Capacity	SCFM	Quantity
VAGK09	900 BTU/Hr.	11	5
VAGK15	1500 BTU/Hr.	15	5
VAGK25	2500 and 5000 BTU/Hr.	25	5

VORTEX COOLING VA SERIES AIR DUCTING



Vortex VA series accessory cold air ducting kit evenly distributes compressed air.

CATALOG NUMBER	Use with Model Capacity
VADK124X	All NEMA 12, 4, 4X models

VORTEX COOLING VHL SERIES AIR DUCTING



Vortex VHL series accessory cold air ducting kit evenly distributes compressed air.

CATALOG NUMBER	Use with Model Capacity
VHLDK	All Hazardous Location models

Notes





CHAPTER 4

FRESH AIR ENCLOSURE COOLING

FEATURED PRODUCTS

DIRECT AIR COOLING SYSTEMS (DACS)

DACS provides flexible, effective heat removal for outdoor enclosures. A cost-efficient alternative to closed-loop cooling solutions, DACS utilizes quiet, fan-based technology to draw filtered ambient air into the enclosure to dissipate heat. Models include Hydrophobic Gore and MERV 12 filtration styles to protect against outdoor elements such as water, dust, bugs and rain.



FILTER FANS

Filter Fans cool a wide range of heat loads in applications ranging from industrial drives to process equipment and controls. With more than 175 models, Type 12, Type 3R and Type 1 options, a wide range of airflow capabilities and various mounting options, Filter Fans are available for diverse environments.



FAN TRAYS

Fan Trays deliver a versatile solution to efficiently cool card cages and racks. Redundant cooling with optional failure detection ensures reliable cooling for sensitive electrical equipment. With a slim, field-adjustable design, these 19-inch rack mountable trays provide simple installation and easy access.



CHAPTER CONTENTS

DIRECT AIR COOLING SYSTEMS (DACs)

DACS Outdoor	304
--------------------	-----

FILTER FANS

HF Side-Mount Filter Fans	310
HR Top-Mount Filter Fans	330
Filter Fan Shrouds, Type 3R	334
HF Replacement Filters	335
Filter Fan Shrouds, Type 4/4X	336
Filter Fan Shroud, Type 4/4X Replacement Gasket	339
Filter Fan Shroud, Type 4/4X Pest Screens	339
TFP Side-Mount Fans	340
TFP Exhaust Grilles	344
TFP Optional Grilles and Replacement Filters	344
TFP EMC Upgrade Kit	345
Outdoor Filter Fan and Exhaust Package	346

AXIAL FANS AND ACCESSORIES

Compact Axial Fans	348
Fan Cords	350
Fan Cords With Inline Thermostat	350
Fan Filter and Finger Guard Kit	350
Fan Brackets	351
Finger Guards	351

FAN TRAYS

Rack-Mountable Assemblies	352
19-in. Rack-Mountable Tray	354
Rack-Mount Fan Speed Control	355

PACKAGED BLOWERS

Rack-Mountable Blowers	356
------------------------------	-----

AIR MOVERS

Rack-Mountable Fan Package	362
Exhaust Grilles and Replacement Filters	363
Filter Box Fans	364

BLOWERS

Centrifugal Blowers	366
---------------------------	-----

ACCESSORIES

Filter Grille Panel	370
Louver Plate Kits	371
Louver Plate Kit Filters	371
Vent Kit	372
Ventilator	372
Filter Adhesive	373

DACS OUTDOOR



INDUSTRY STANDARDS

UL Recognized

CE
Telcordia GR-487 capable

APPLICATION

- Outdoor telecommunications equipment
- Industrial automation
- Outdoor kiosk
- Outdoor displays
- OSP applications

FEATURES

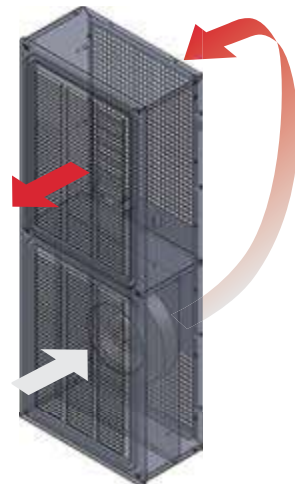
- Customizable solutions to meet any customer need
- Two models utilizing Hydrophobic GORE® filter
- Two models with MERV 12, pleated filter
- Standard power input: 48 VDC
- UL Listed to save time and money with agency approvals
- Power Cord included
- Easy to replace filters
- Broad operating temperature range -40 C to 55 C
- Every unit functionally tested before shipping
- Hydrophobic GORE® filter protects against salt and other corrosive agents
- Controller provides soft start and current limiting at start up
- Vibration resistant to withstand over-the-ground transportation of the telecom system
- Variable speed blowers standard on units for quiet running
- Controller provides fan speed control and temperature alarm

FINISH

- Standard Finish: Galvanized steel with RAL 7035 light-gray semi-textured powder coat paint

OPTIONS

- Custom Material: Aluminum, Stainless Steel, Mild Steel
- Custom Finish: Paint Color
- Custom Power Input: 24 VDC, 115 VAC
- Custom Sizes: Height 29 in. (737 mm) to 56 in. (1422 mm)



NOTES

GORE® is a registered trademark of W.L. Gore & Associates, Inc.



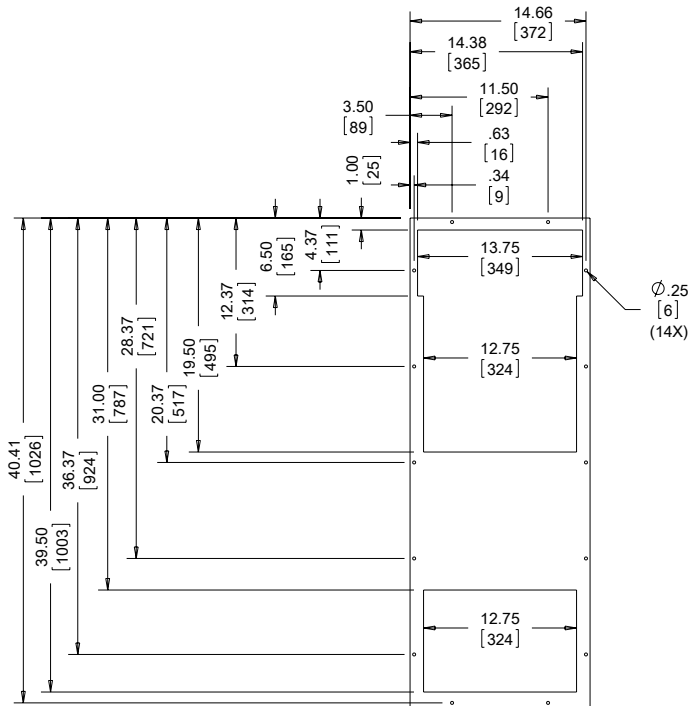
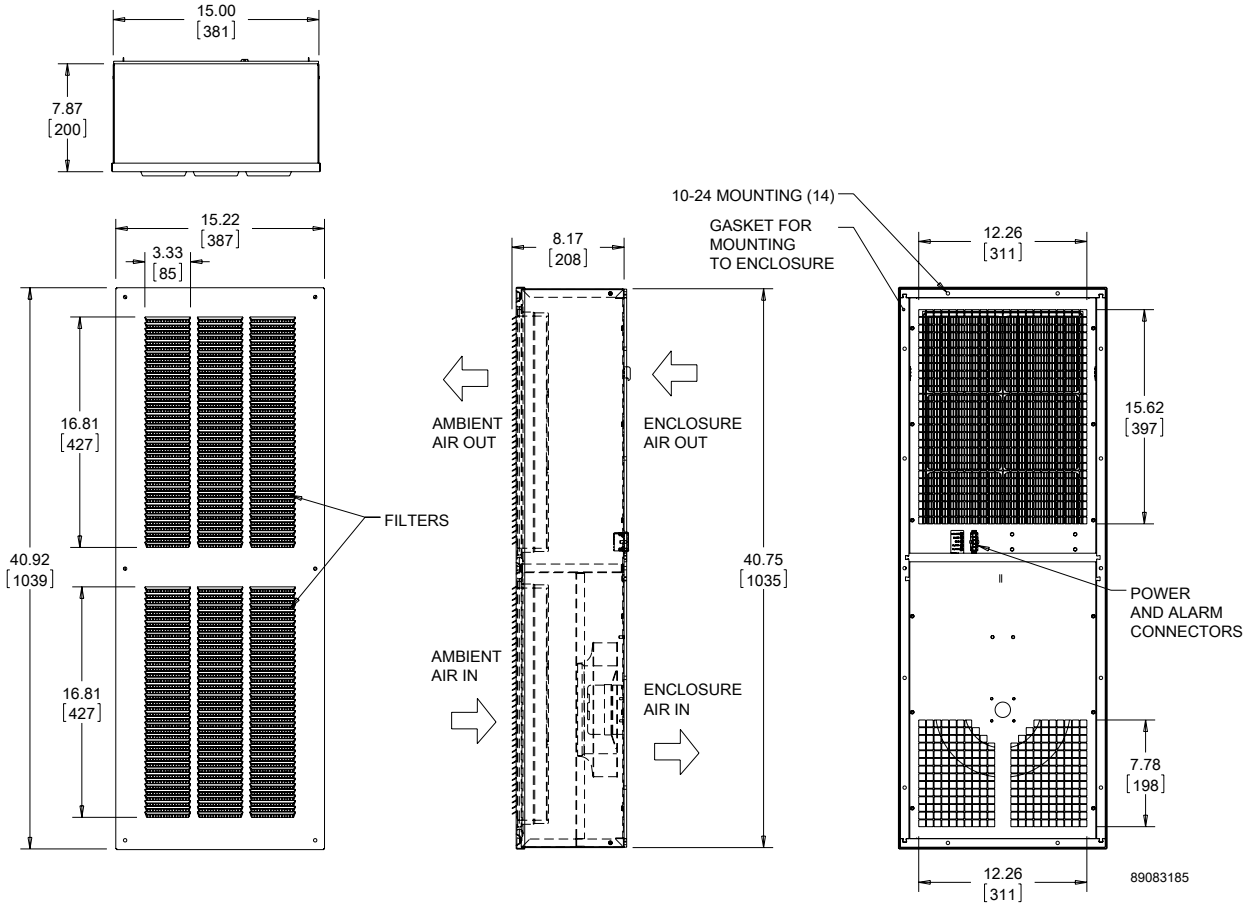


Performance Data **DACS**

CATALOG NUMBERS				
	DCG4108548100	DCG2904248100	DCT5615048100	DCT3809448100
COOLING PERFORMANCE				
Nominal:				
Watts/°F	85	42	50	94
Watts/°C	152	75	270	170
Operating Temperature Range:				
Maximum (°F/°C)	131/55	131/55	131/55	131/55
Minimum (°F/°C)	-40/-40	-40/-40	-40/-40	-40/-40
Air Flow at 0 Static Pressure: (CFM/ m ³ /hr.)	265/450	130/221	470/799	300/510
ELECTRICAL DATA				
Rated Voltage (VDC)			48	
Operating Range (VDC)			40-60	
Max. Power Consumption (Watts)	159	159	192	173
Max. Nominal Current (Amps)	3.3	3.3	4.0	3.6
Agency Approvals			UL Recognized, CE	
ENCLOSURE PROTECTION				
UL Type			Type 3R	
CONTROLLER				
Description			Fan speed control and temperature alarm	
Factory Thermostat Setting (°F/°C)			104/40	
SOUND LEVEL				
At 1.5 Meters - Full Speed (dBA)	67.1	68.1	65.0	63.4
UNIT CONSTRUCTION				
Material			Galvanized Steel	
Finish			RAL 7035 light-gray, semi-textured powder-coat paint standard	
Filter Type		Hydrophobic GORE®	Pleated Filter Merv 12	
UNIT DIMENSIONS				
Height (in./mm)	40.75/1035	28.75/730	56/1422	38/965
Width (in./mm)	15/381	12/305	20/508	16/406
Depth (in./mm)	7.88/200	7.12/181	7/178	6/152
Weight (lb./kg)	50/22.7	40/18.1	65/29.5	38/17.2



DCG4108548100

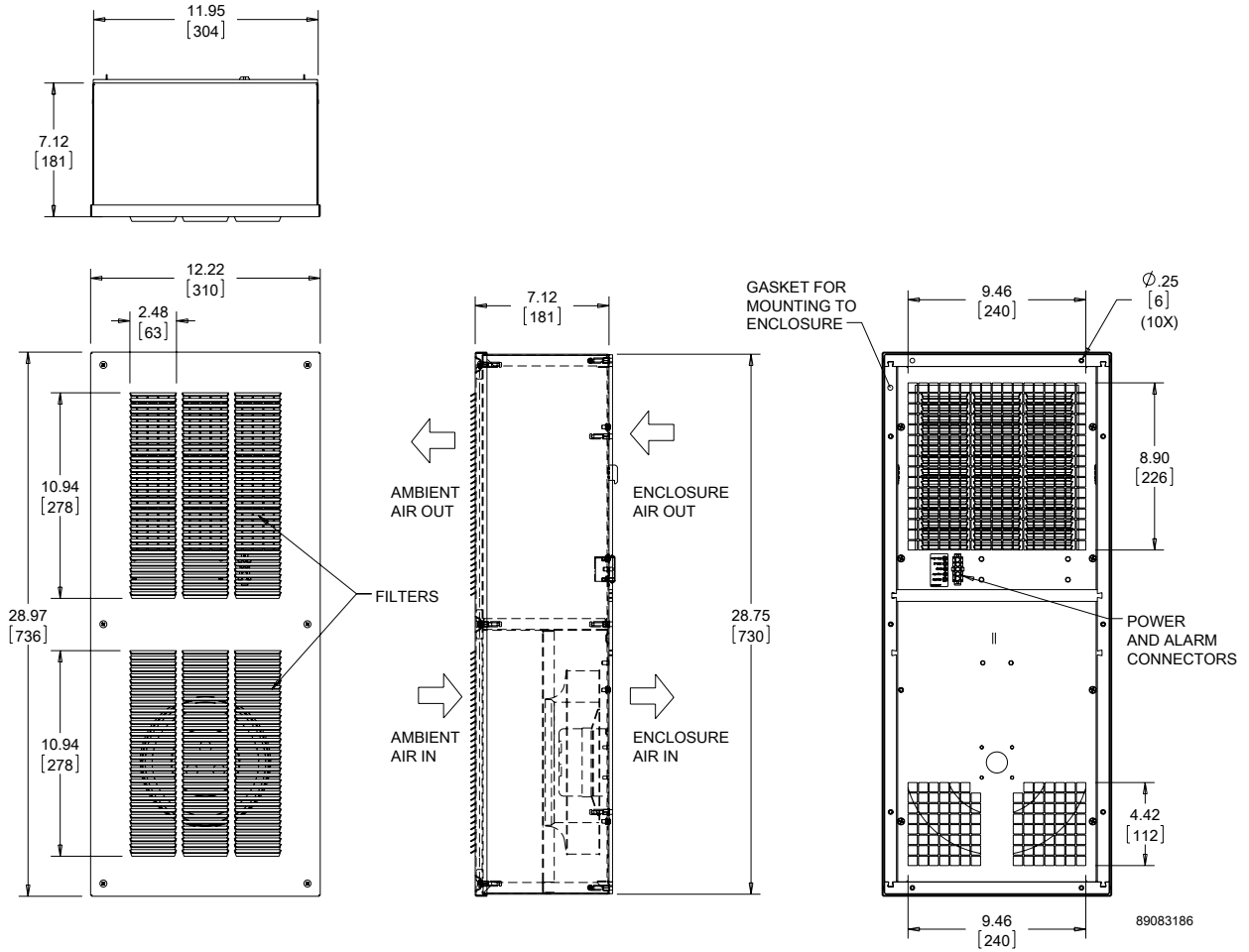


CUTOUT DIMENSIONS

Visit nVent.com/HOFFMAN to download 2D and 3D CAD drawings into the overall design of your electrical system.



DCG2904248100



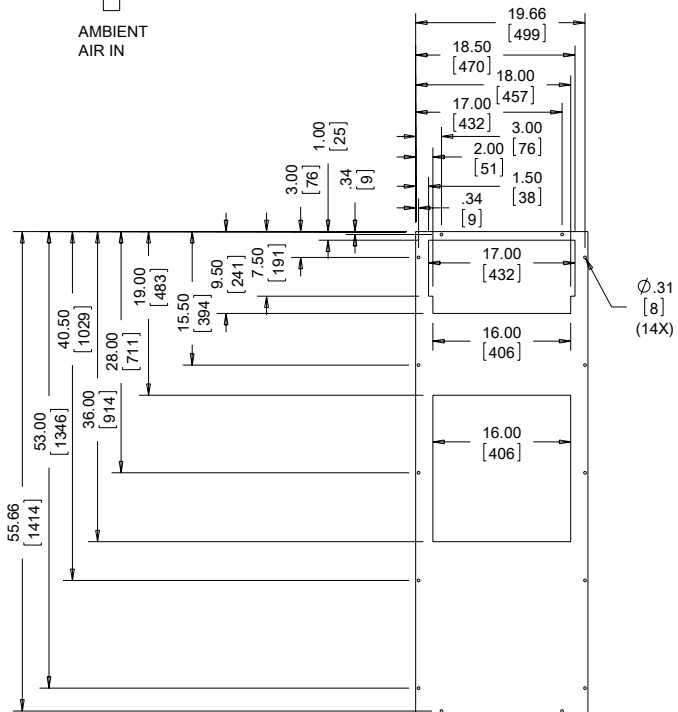
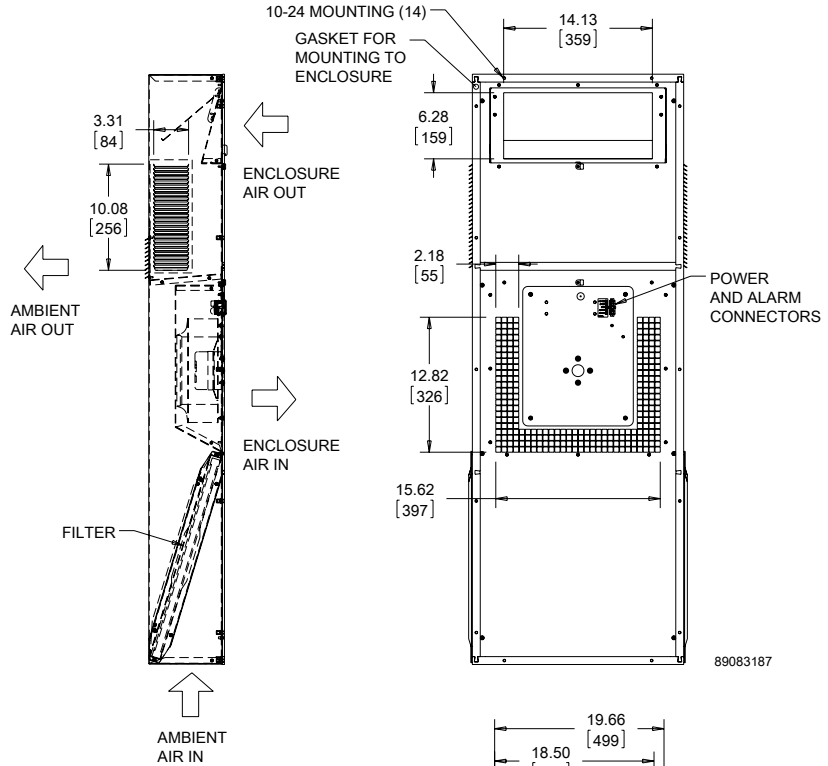
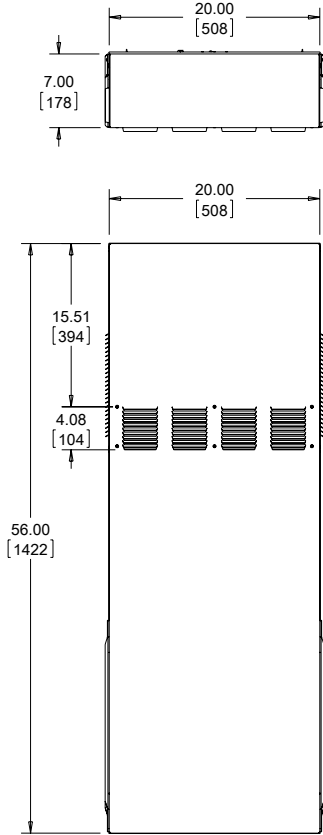
89083186

CUTOUT DIMENSIONS

Visit nVent.com/HOFFMAN to download 2D and 3D CAD drawings into the overall design of your electrical system.



DCT5615048100



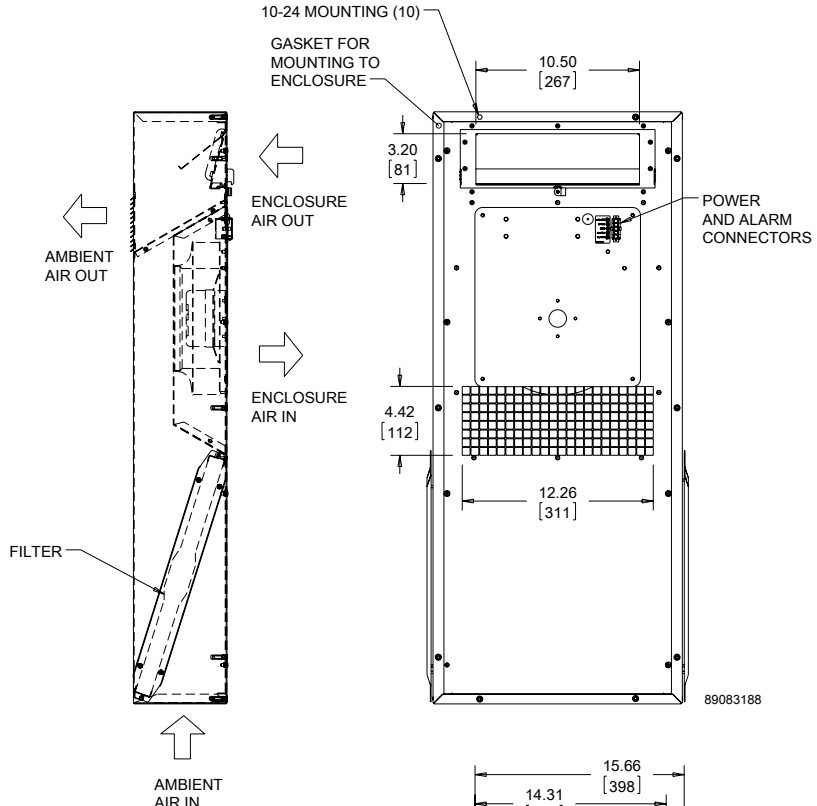
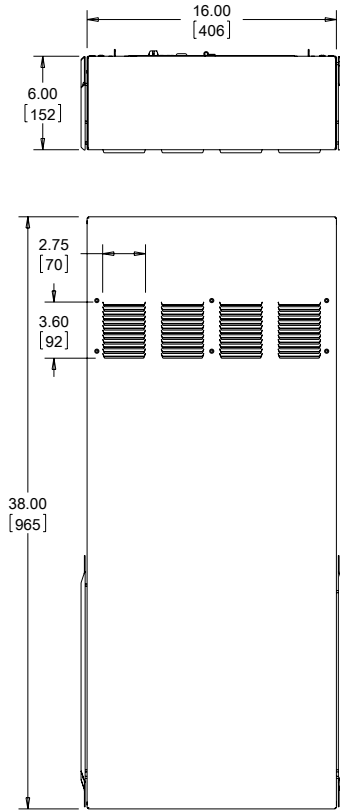
CUTOUT DIMENSIONS

Visit nVent.com/HOFFMAN to download 2D and 3D CAD drawings into the overall design of your electrical system.

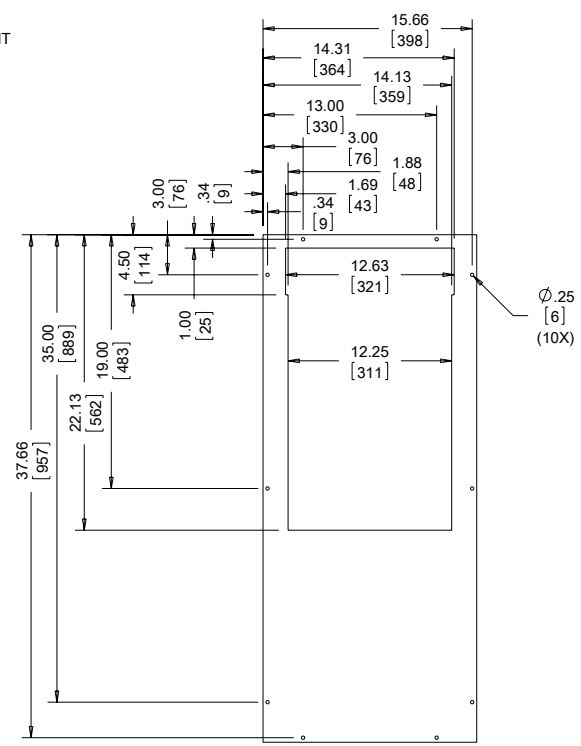




DCT3809448100



89083188



CUTOUT DIMENSIONS

Visit nVent.com/HOFFMAN to download 2D and 3D CAD drawings into the overall design of your electrical system.



HF SIDE-MOUNT FILTER FANS


HF04
21 CFM (36 m³/Hr.)



HF05
35 CFM (59 m³/Hr.)



HF09
70 CFM (119 m³/Hr.)



HF10
159 CFM (270 m³/Hr.)



HF13
395 CFM (671 m³/Hr.)
484 CFM (822 m³/Hr.)

INDUSTRY STANDARDS

UL/cUL Listed; File No. E482010

CE
EAC
Type 12, IP54 standard (on all models except HF13)
Type 12, IP 55 optional (on all models except HF04)

APPLICATION

- Industrial automation
- Automotive assembly
- Package handling equipment
- Food and beverage process controls
- Wind energy systems

FEATURES

- Click-fit design quickly installs into enclosure wall; no tools or screws required
- Opens with the flick of a finger for easy filter replacement
- Enclosure side wall mounting
- Reverse airflow option on HF13 models available to push/pull air through higher static pressure
- Standard rope gasket provides proper seal to the enclosure
- Similar cut-out sizes as other filter fan manufacturers
- Terminal block connections
- Optional thermostat available to save energy and extend service life
- Hinged grille remains attached after opening

SPECIFICATIONS

- Size range from 4 in. (102 mm) to 13 in. (325 mm)
- Free air flow from 21 CFM (36 m³/hr.) to 484 CFM (822 m³/hr.)
- Service life hours from 40,000 to 100,000 hours
- Operating temperature range from -4 F/-20 C to 149 F/65 C

FINISH

- RAL 7035 light-gray, UV-resistant plastic standard
- RAL 9011 black, UV-resistant plastic



Performance Data **HF04 21 CFM (36 m³/hr.) Side-Mount Filter Fans**

ELECTRICAL DATA				
Rated Voltage	115	230	24*	48*
Frequency (Hz)	50/60	50/60	—	—
Nominal Current Maximum (Amps)	.10	.07	.14	.06
Power Consumption Maximum (Watts)	8.5/7.0	9.5/8.0	3.4	2.9
Power Connection	Terminal Block			
TYPE 12 / IP54 FILTER FANS				
RAL 7035 Light Gray:				
Catalog Number	HF0416414	HF0426414	HF0424414	HF0448414
RAL 9011 Black:				
Catalog Number	HF0416413	HF0426413	HF0424413	HF0448413
Free Airflow (CFM / m ³ /hr.)	21/36	21/36	21/36	21/36
Airflow with 1 Exhaust Grille (CFM / m ³ /hr.)	12/20	12/20	12/20	12/20
Airflow with 2 Exhaust Grilles (CFM / m ³ /hr.)	15/25	15/25	15/25	15/25
FILTER FAN UNIT CONSTRUCTION				
Fan RPM	3250	3250	2100	3300
Sound Pressure (dBA at 50/60 Hz)	34/36	34/36	34/36	34/36
Operating Temperature Range:				
Maximum (°F / °C)	131/55	131/55	149/65	149/65
Minimum (°F / °C)	14/-10	14/-10	-4/-20	-4/-20
Service Life (hours) at 40 C	61,000	61,000	51,000	70,000
Unit Dimensions - H x W x D (in. / mm)	4.42 x 4.44 x 3.65 / 112 x 113 x 93			
Cutout Dimensions - H x W (in. / mm)	3.62 x 3.62/92 x 92			
Weight (lb. / kg)	.91/.40			
TYPE 12 / IP54 EXHAUST GRILLES				
RAL 7035 Light Gray:				
Catalog Number	HG0400404	HG0400404	HG0400404	HG0400404
RAL 9011 Black:				
Catalog Number	HG0400403	HG0400403	HG0400403	HG0400403
ACCESSORIES				
Replacement Filters:				
Type 12 / IP54 Catalog Number	89134423R	89134423R	89134423R	89134423R
Thermostat Catalog Number (°F)	THERM16F	THERM26F	—	—
Thermostat Catalog Number (°C)	THERM16C	THERM26C	—	—

Above airflow rates at 60 Hz; see performance curves for airflow at 50 Hz and more details.

Unit depth is from the back edge of the grille to the back of the fan.

Exhaust Grilles sold separately.

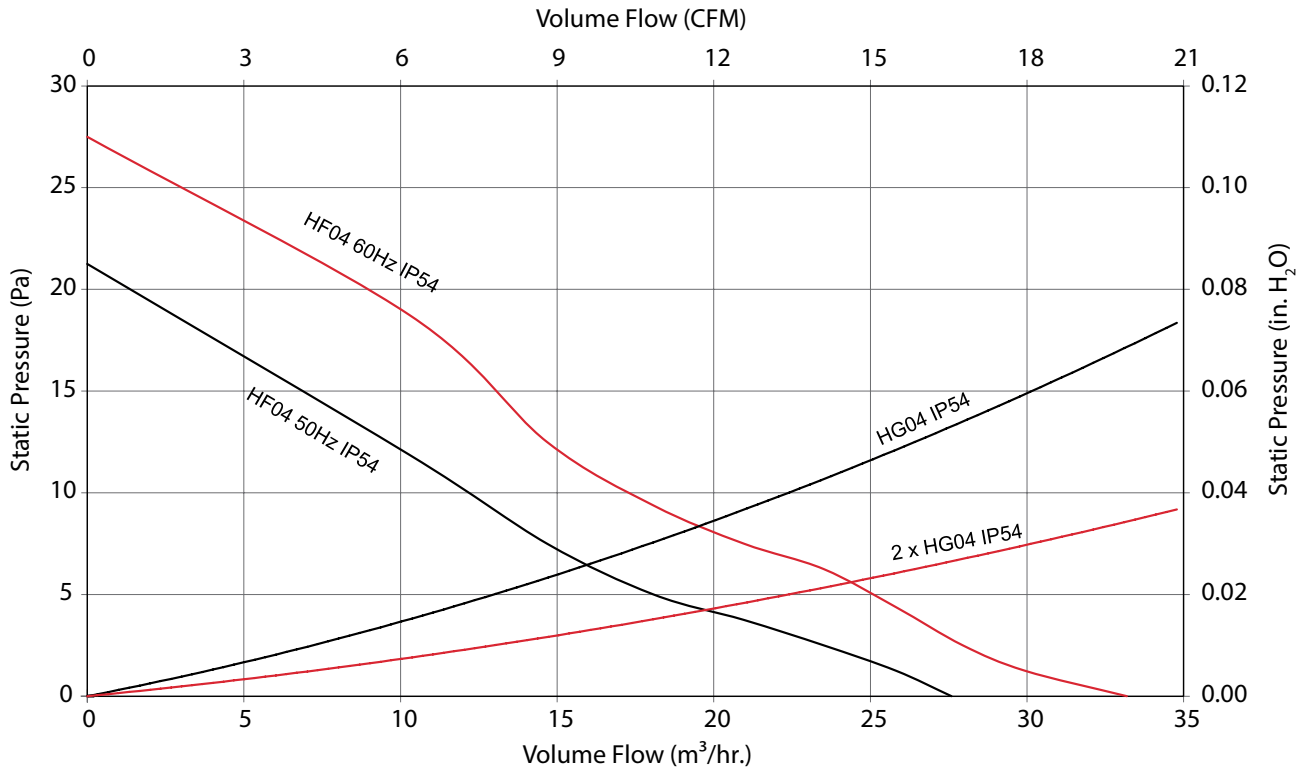
* This indicates a DC Voltage.



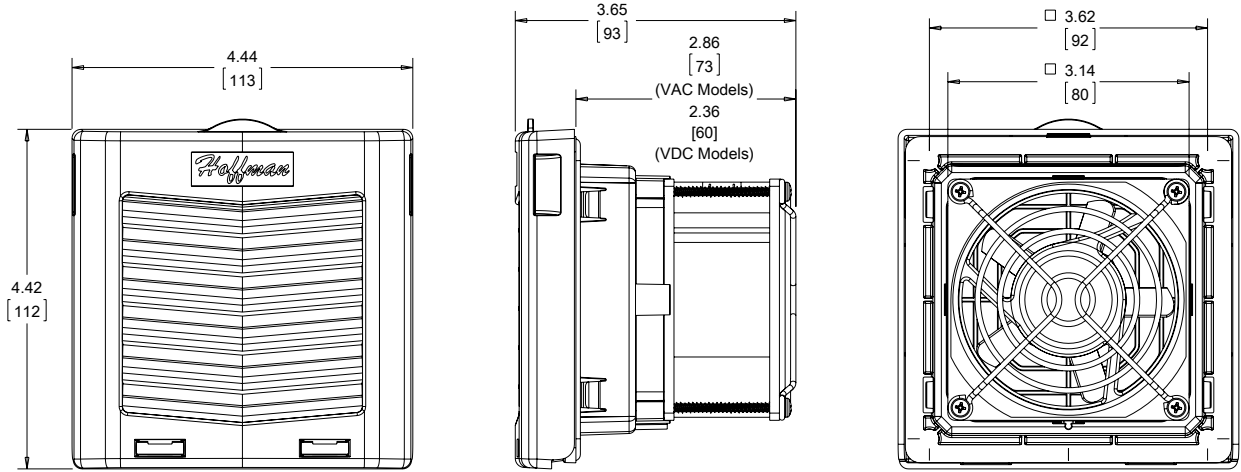
Performance Curves for HF04 Models 21 CFM (36 m³/hr.) Side-Mount Filter Fans



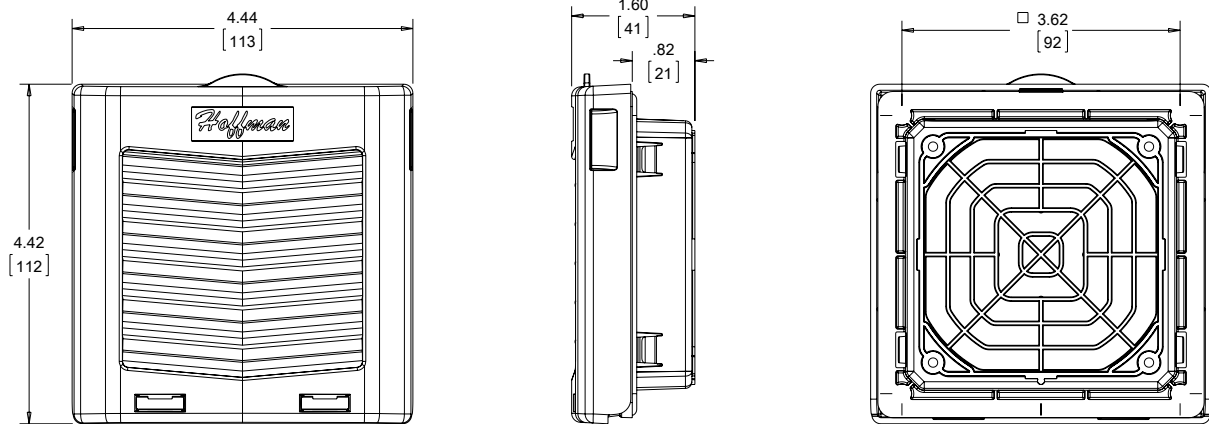
HF04 Capacity Curve, IP54



HF04 21 CFM (36 m³/hr.) Side-Mount Filter Fans

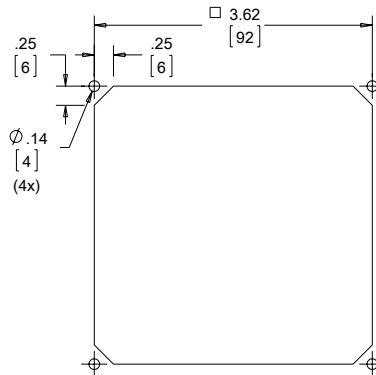


Exhaust Grille



Order exhaust grille kits separately.

89140582



Cutout Dimensions

Visit nVent.com/HOFFMAN to download 2D and 3D CAD drawings into the overall design of your electrical system.



Performance Data HF05 35 CFM (59 m³/hr.) Side-Mount Filter Fans


ELECTRICAL DATA				
Rated Voltage	115	230	24*	48*
Frequency (Hz)	50/60	50/60	—	—
Nominal Current Maximum (Amps)	.16/.14	.12/.10	.35	.17
Power Consumption Maximum (Watts)	11.0/10.0	15.0/14.0	8.4	8.2
Power Connection	Terminal Block			
TYPE 12 / IP54 FILTER FANS				
RAL 7035 Light Gray:				
Catalog Number	HF0516414	HF0526414	HF0524414	HF0548414
RAL 9011 Black:				
Catalog Number	HF0516413	HF0526413	HF0524413	HF0548413
Free Airflow (CFM / m ³ /hr.)	35/59	35/59	35/59	35/59
Airflow with 1 Exhaust Grille (CFM / m ³ /hr.)	23/39	23/39	23/39	23/39
Airflow with 2 Exhaust Grilles (CFM / m ³ /hr.)	28/48	28/48	28/48	28/48
TYPE 12 / IP55 FILTER FANS				
RAL 7035 Light Gray:				
Catalog Number	HF0516514	HF0526514	HF0524514	HF0548514
RAL 9011 Black:				
Catalog Number	HF0516513	HF0526513	HF0524513	HF0548513
Free Airflow (CFM / m ³ /hr.)	12/20	12/20	12/20	12/20
Airflow with 1 Exhaust Grille (CFM / m ³ /hr.)	8/14	8/14	8/14	8/14
Airflow with 2 Exhaust Grilles (CFM / m ³ /hr.)	9/15	9/15	9/15	9/15
FILTER FAN UNIT CONSTRUCTION				
Fan RPM	2600/2900	2600/2900	3200	3200
Sound Pressure (dBA at 50/60 Hz)	40/44	40/44	40/44	40/44
Operating Temperature Range:				
Maximum (°F / °C)	131/55	131/55	149/65	149/65
Minimum (°F / °C)	14/-10	14/-10	-4/-20	14/-10
Service Life (hours) at 40 C	40,000	40,000	100,000	100,000
Unit Dimensions - H x W x D (in. / mm)	6.15 x 6.16 x 3.98/156 x 157 x 101			
Cutout Dimensions - H x W (in. / mm)	4.92 x 4.92/125 x 125			
Weight (lb. / kg)	1.77/.80			
TYPE 12 / IP54 EXHAUST GRILLES				
RAL 7035 Light Gray:				
Catalog Number	HG0500404	HG0500404	HG0500404	HG0500404
RAL 9011 Black:				
Catalog Number	HG0500403	HG0500403	HG0500403	HG0500403
TYPE 12 / IP55 EXHAUST GRILLES				
RAL 7035 Light Gray:				
Catalog Number	HG0500504	HG0500504	HG0500504	HG0500504
RAL 9011 Black:				
Catalog Number	HG0500503	HG0500503	HG0500503	HG0500503
ACCESSORIES				
Replacement Filters:				
Type 12 / IP54 Catalog Number	89134424R	89134424R	89134424R	89134424R
Type 12 / IP55 Catalog Number	89136408R	89136408R	89136408R	89136408R
Thermostat Catalog Number (°F)	THERM16F	THERM26F	—	—
Thermostat Catalog Number (°C)	THERM16C	THERM26C	—	—
Shroud Catalog Number	HH05GS35001, HH05GS61001, HH05SS04001			

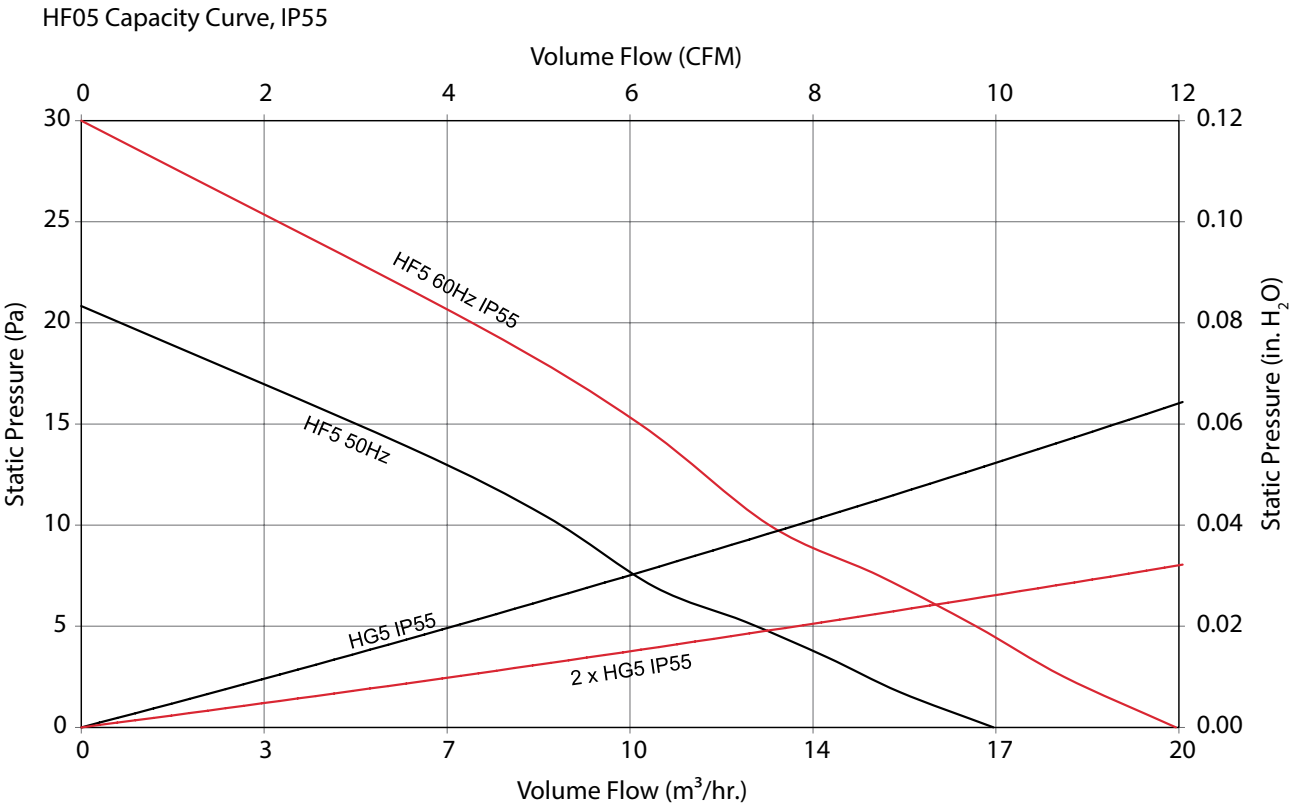
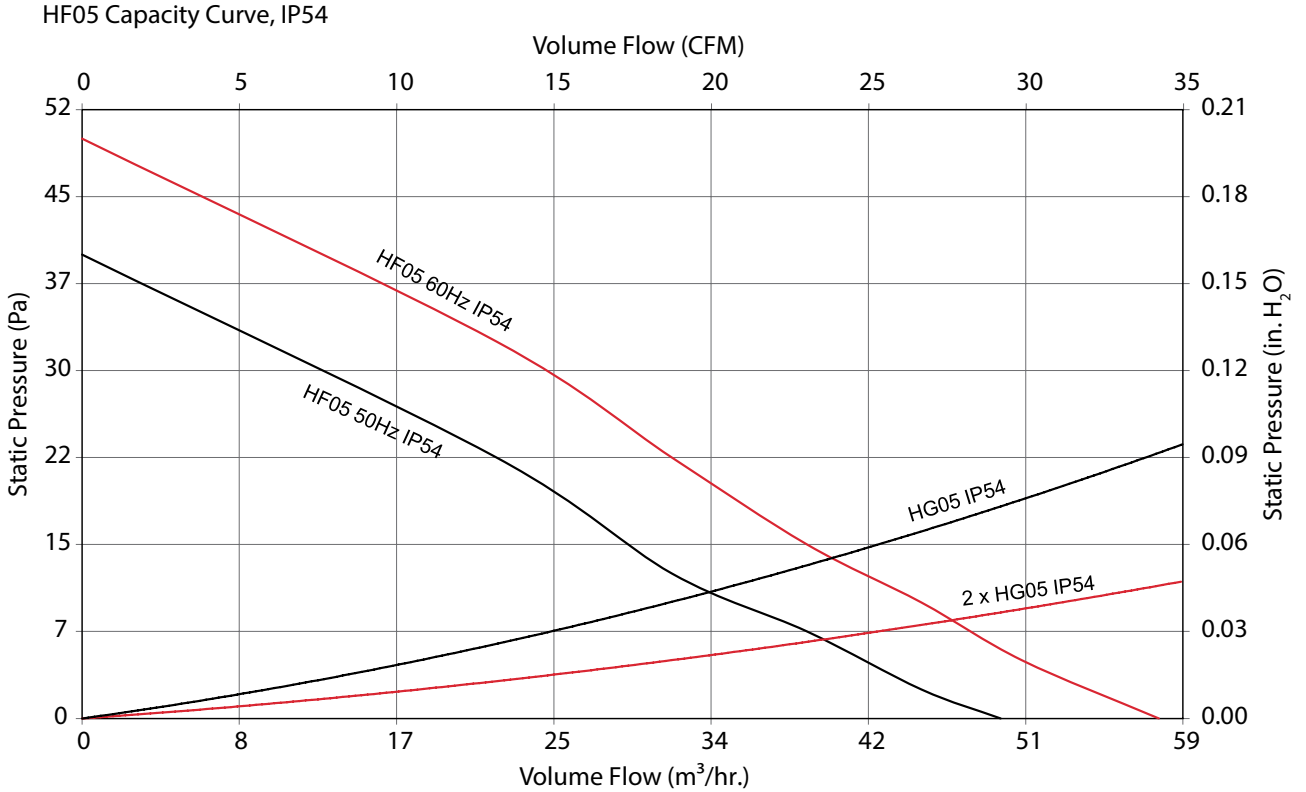
Above airflow rates at 60 Hz; see performance curves for airflow at 50 Hz and more details.

Unit depth is from the back edge of the grille to the back of the fan.

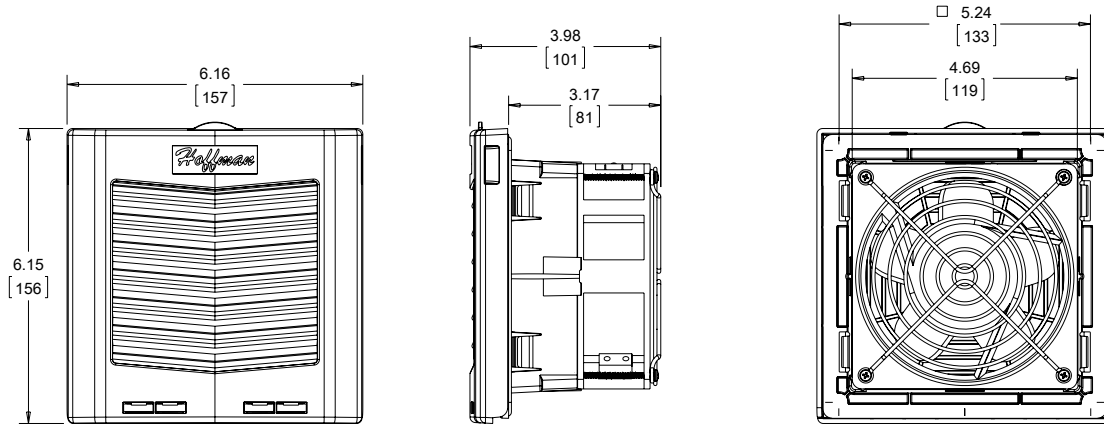
Exhaust Grilles sold separately.

* This indicates a DC Voltage.

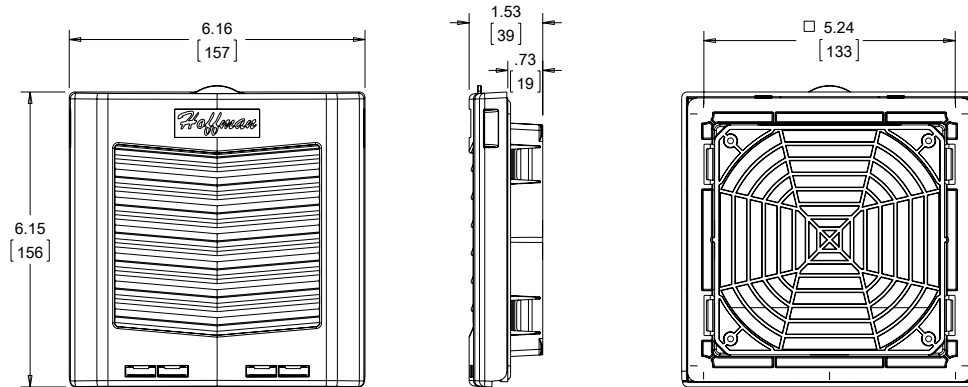
Performance Curves for HF05 Models 35 CFM (59 m³/hr.) Side-Mount Filter Fans



HF05 35 CFM (59 m³/hr.) Side-Mount Filter Fans

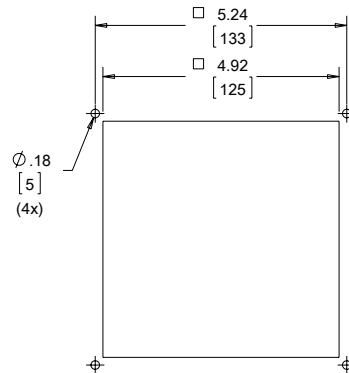


Exhaust Grille



Order exhaust grille kits separately.

89140583



Cutout Dimensions

Visit nVent.com/HOFFMAN to download 2D and 3D CAD drawings into the overall design of your electrical system.



Performance Data **HF09 70 CFM (119 m³/hr.) Side-Mount Filter Fans**

ELECTRICAL DATA				
Rated Voltage	115	230	24*	48*
Frequency (Hz)	50/60	50/60	—	—
Nominal Current Maximum (Amps)	.16/.14	.12/.10	.35	.17
Power Consumption Maximum (Watts)	11.0/10.0	15.0/14.0	8.4	8.2
Power Connection	Terminal Block			
TYPE 12 / IP54 FILTER FANS				
RAL 7035 Light Gray:				
Catalog Number	HF0916414	HF0926414	HF0924414	HF0948414
RAL 9011 Black:				
Catalog Number	HF0916413	HF0926413	HF0924413	HF0948413
Free Airflow (CFM / m ³ /hr.)	70/119	70/119	70/119	70/119
Airflow with 1 Exhaust Grille (CFM / m ³ /hr.)	44/75	44/75	44/75	44/75
Airflow with 2 Exhaust Grilles (CFM / m ³ /hr.)	55/93	55/93	55/93	55/93
TYPE 12 / IP55 FILTER FANS				
RAL 7035 Light Gray:				
Catalog Number	HF0916514	HF0926514	HF0924514	HF0948514
RAL 9011 Black:				
Catalog Number	HF0916513	HF0926513	HF0924513	HF0948513
Free Airflow (CFM / m ³ /hr.)	33/56	33/56	33/56	33/56
Airflow with 1 Exhaust Grille (CFM / m ³ /hr.)	23/39	23/39	23/39	23/39
Airflow with 2 Exhaust Grilles (CFM / m ³ /hr.)	26/44	26/44	26/44	26/44
FILTER FAN UNIT CONSTRUCTION				
Fan RPM	2600/2900	2600/2900	3200	3200
Sound Pressure (dBA at 50/60 Hz)	43/46	43/46	43/46	43/46
Operating Temperature Range:				
Maximum (°F / °C)	131/55	131/55	149/65	149/65
Minimum (°F / °C)	14/-10	14/-10	-4/-20	14/-10
Service Life (hours) at 40 C	40,000	40,000	100,000	100,000
Unit Dimensions - H x W x D (in. / mm)	8.19 x 8.21 x 4.15/208 x 209 x 105			
Cutout Dimensions - H x W (in. / mm)	6.97 x 6.97/177 x 177			
Weight (lb. / kg)	2.13/1.0			
TYPE 12 / IP54 EXHAUST GRILLES				
RAL 7035 Light Gray:				
Catalog Number	HG0900404	HG0900404	HG0900404	HG0900404
RAL 9011 Black:				
Catalog Number	HG0900403	HG0900403	HG0900403	HG0900403
TYPE 12 / IP55 EXHAUST GRILLES				
RAL 7035 Light Gray:				
Catalog Number	HG0900504	HG0900504	HG0900504	HG0900504
RAL 9011 Black:				
Catalog Number	HG0900503	HG0900503	HG0900503	HG0900503
ACCESSORIES				
Replacement Filters:				
Type 12 / IP54 Catalog Number	89134425R	89134425R	89134425R	89134425R
Type 12 / IP55 Catalog Number	89136409R	89136409R	89136409R	89136409R
Thermostat Catalog Number (°F)	THERM16F	THERM26F	—	—
Thermostat Catalog Number (°C)	THERM16C	THERM26C	—	—
Shroud Catalog Number	HH10GS35001, HH10GS61001, HH10SS04001			

Above airflow rates at 60 Hz; see performance curves for airflow at 50 Hz and more details.

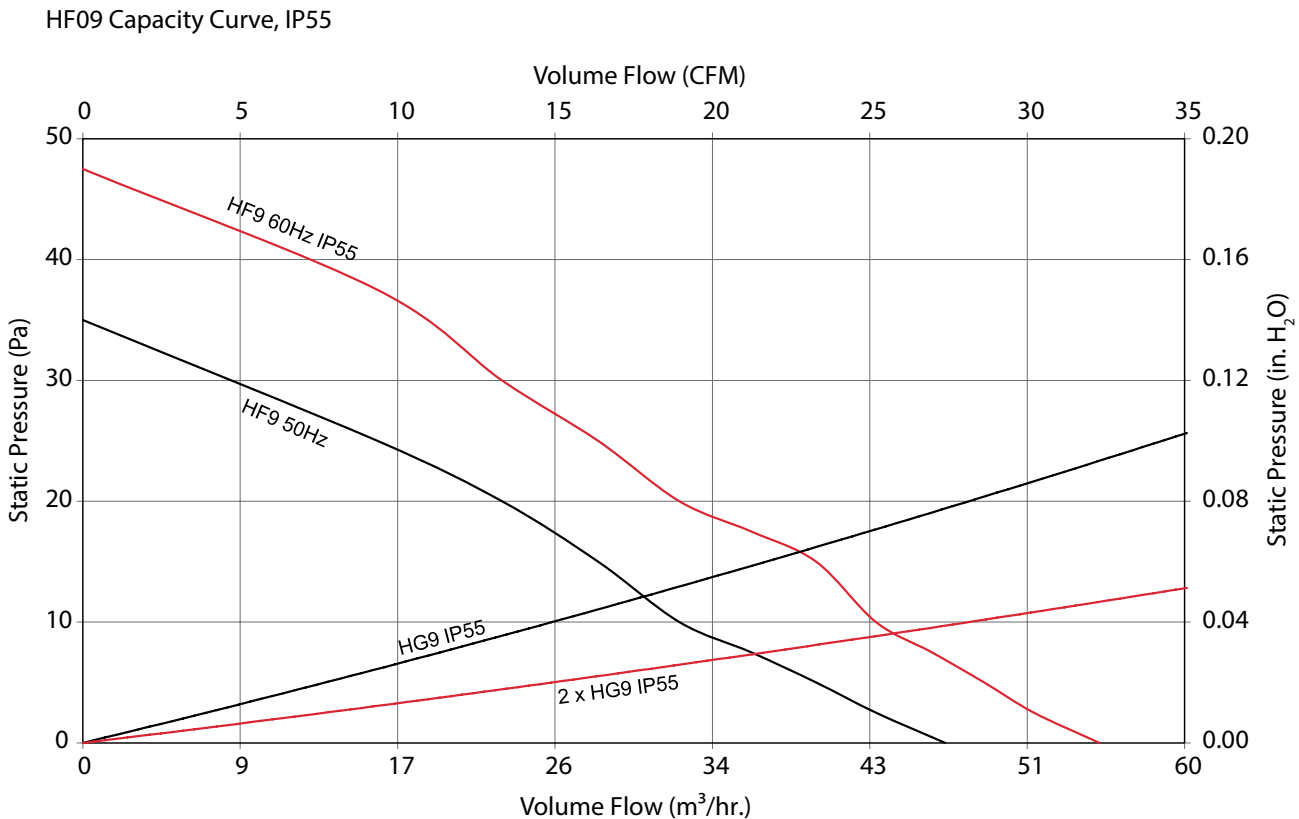
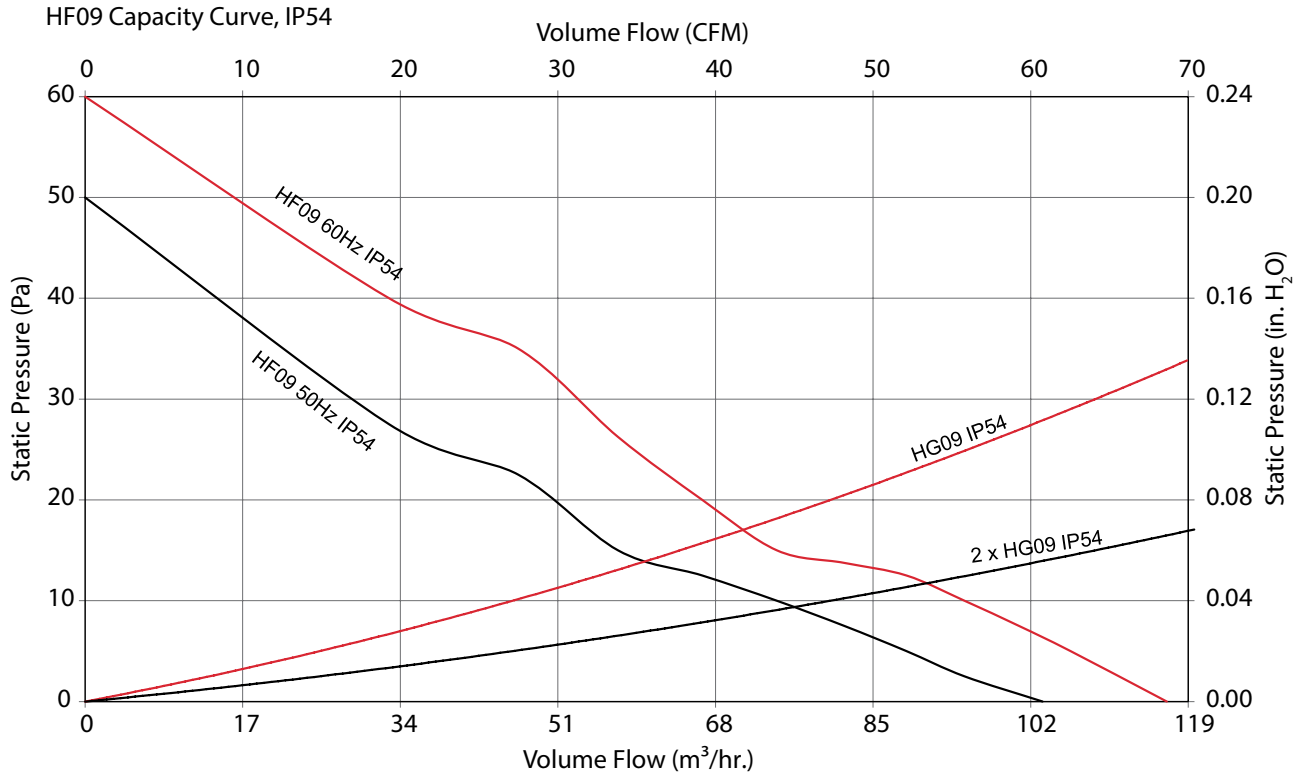
Unit depth is from the back edge of the grille to the back of the fan.

Exhaust Grilles sold separately.

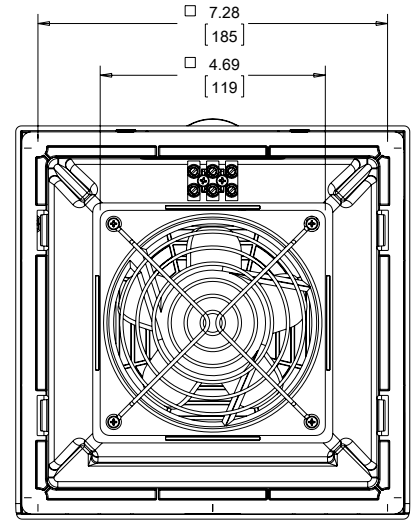
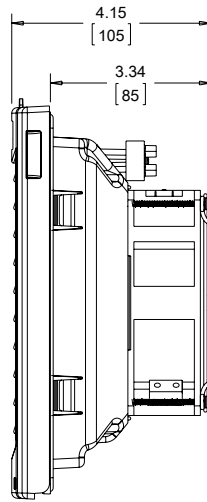
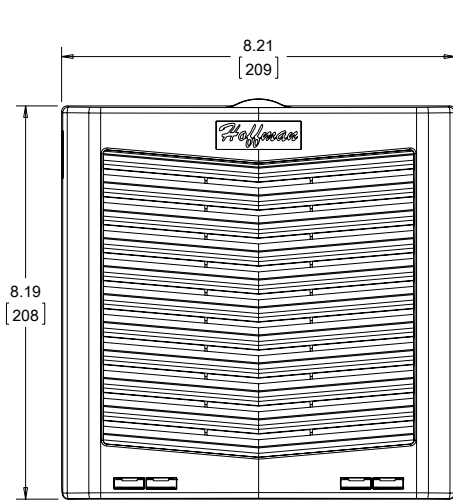
* This indicates a DC Voltage.



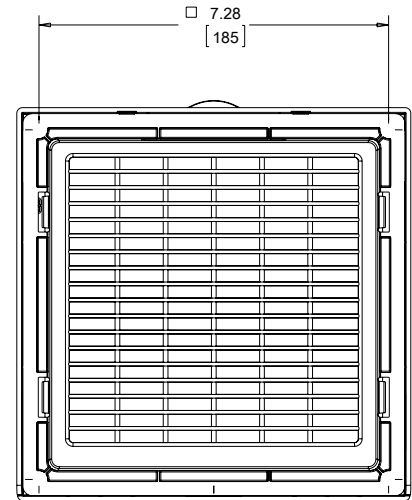
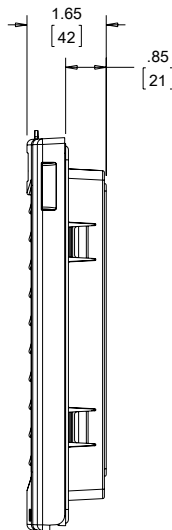
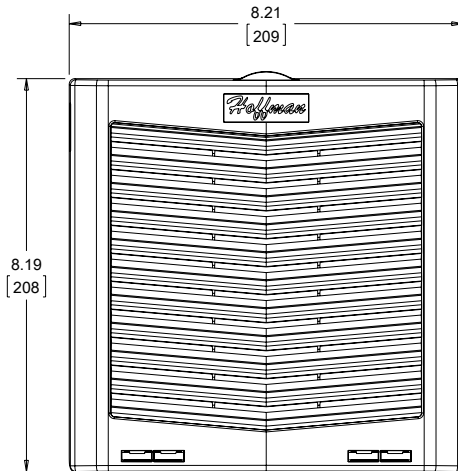
Performance Curves for HF09 Models 70 CFM (119 m³/hr.) Side-Mount Filter Fans



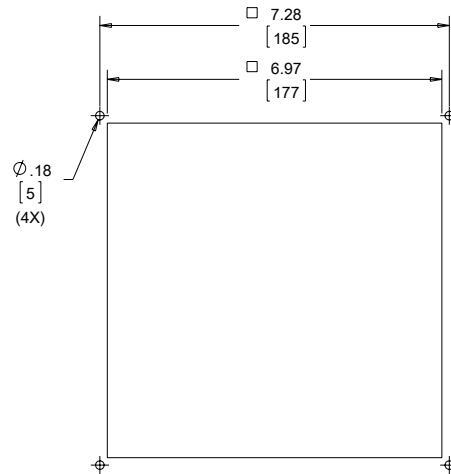
HF09 70 CFM (119 m³/hr.) Side-Mount Filter Fans



Exhaust Grille



89140584



Cutout Dimensions

Visit nVent.com/HOFFMAN to download 2D and 3D CAD drawings into the overall design of your electrical system.



Performance Data HF10 159 CFM (270 m³/Hr.) Side-Mount Filter Fans


ELECTRICAL DATA				
Rated Voltage	115	230	24*	48*
Frequency (Hz)	50/60	50/60	—	—
Nominal Current Maximum (Amps)	.38/.36	.18/.19	.88	.32
Power Consumption Maximum (Watts)	35/32	38/35	21.1	15.4
Power Connection	Terminal Block			
TYPE 12 / IP54 FILTER FANS				
RAL 7035 Light Gray:				
Catalog Number	HF1016414	HF1026414	HF1024414	HF1048414
RAL 9011 Black:				
Catalog Number	HF1016413	HF1026413	HF1024413	HF1048413
Free Airflow (CFM / m ³ /hr.)	159/270	159/270	159/270	159/270
Airflow with 1 Exhaust Grille (CFM / m ³ /hr.)	128/217	128/217	128/217	128/217
Airflow with 2 Exhaust Grilles (CFM / m ³ /hr.)	151/257	151/257	151/257	151/257
TYPE 12 / IP55 FILTER FANS				
RAL 7035 Light Gray:				
Catalog Number	HF1016514	HF1026514	HF1024514	HF1048514
RAL 9011 Black:				
Catalog Number	HF1016513	HF1026513	HF1024513	HF1048513
Free Airflow (CFM / m ³ /hr.)	103/175	103/175	103/175	103/175
Airflow with 1 Exhaust Grille (CFM / m ³ /hr.)	80/136	80/136	80/136	80/136
Airflow with 2 Exhaust Grilles (CFM / m ³ /hr.)	87/148	87/148	87/148	87/148
FILTER FAN UNIT CONSTRUCTION				
Fan RPM	2700/3200	2700/3200	3750	3500
Sound Pressure (dBA at 50/60 Hz)	53/56	53/56	53/56	53/56
Operating Temperature Range:				
Maximum (°F / °C)	131/55	131/55	131/55	131/55
Minimum (°F / °C)	14/-10	14/-10	14/-10	14/-10
Service Life (hours) at 40 C	97,000	97,000	76,000	76,000
Unit Dimensions - H x W x D (in. / mm)	10.13 x 10.14 x 4.68/257 x 258 x 119			
Cutout Dimensions - H x W (in. / mm)	8.78 x 8.78/223 x 223			
Weight (lb. / kg)	3.14/1.40			
TYPE 12 / IP54 EXHAUST GRILLES				
RAL 7035 Light Gray:				
Catalog Number	HG1000404	HG1000404	HG1000404	HG1000404
RAL 9011 Black:				
Catalog Number	HG1000403	HG1000403	HG1000403	HG1000403
TYPE 12 / IP55 EXHAUST GRILLES				
RAL 7035 Light Gray:				
Catalog Number	HG1000504	HG1000504	HG1000504	HG1000504
RAL 9011 Black:				
Catalog Number	HG1000503	HG1000503	HG1000503	HG1000503
ACCESSORIES				
Replacement Filters:				
Type 12 / IP54 Catalog Number	89134426R	89134426R	89134426R	89134426R
Type 12 / IP55 Catalog Number	89136410R	89136410R	89136410R	89136410R
Thermostat Catalog Number (°F)	THERM16F	THERM26F	—	—
Thermostat Catalog Number (°C)	THERM16C	THERM26C	—	—
Shroud Catalog Number	HH10GS35001, HH10GS61001, HH10SS04001			

Above airflow rates at 60 Hz; see performance curves for airflow at 50 Hz and more details.

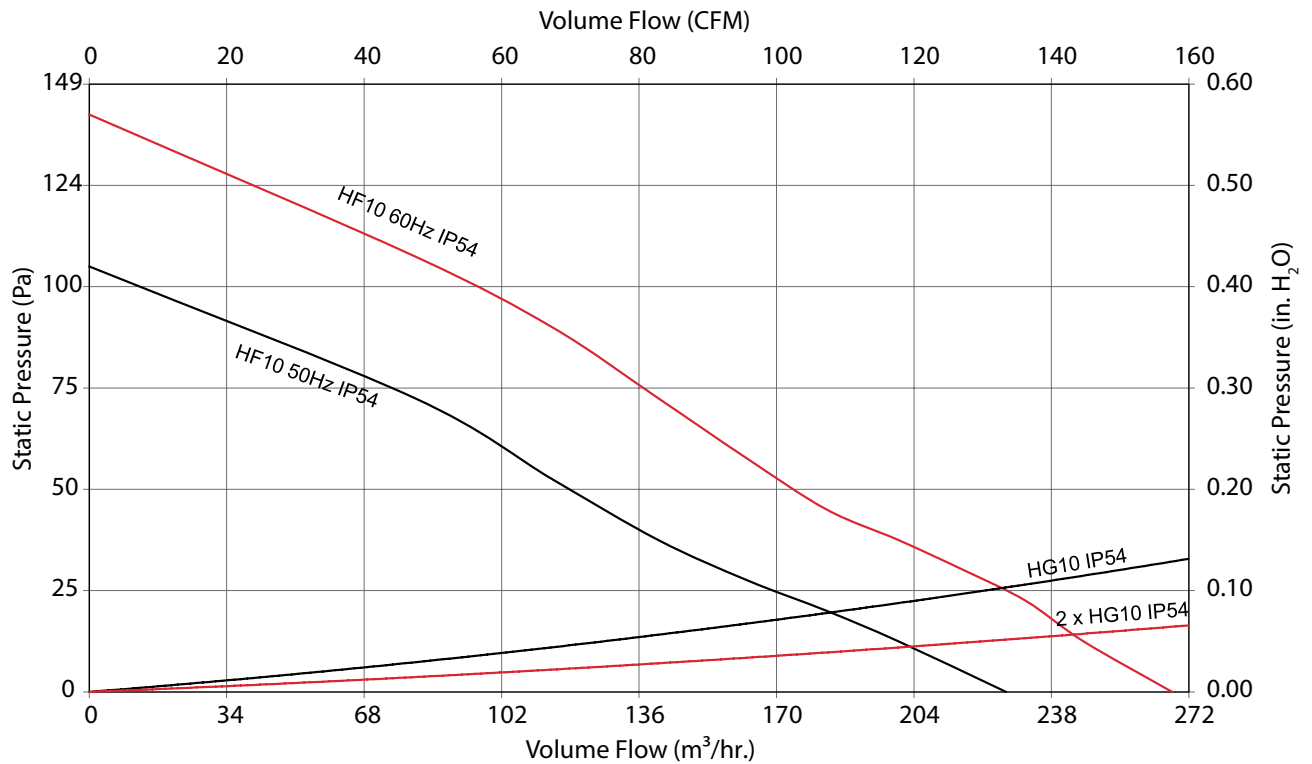
Unit depth is from the back edge of the grille to the back of the fan.

Exhaust Grilles sold separately.

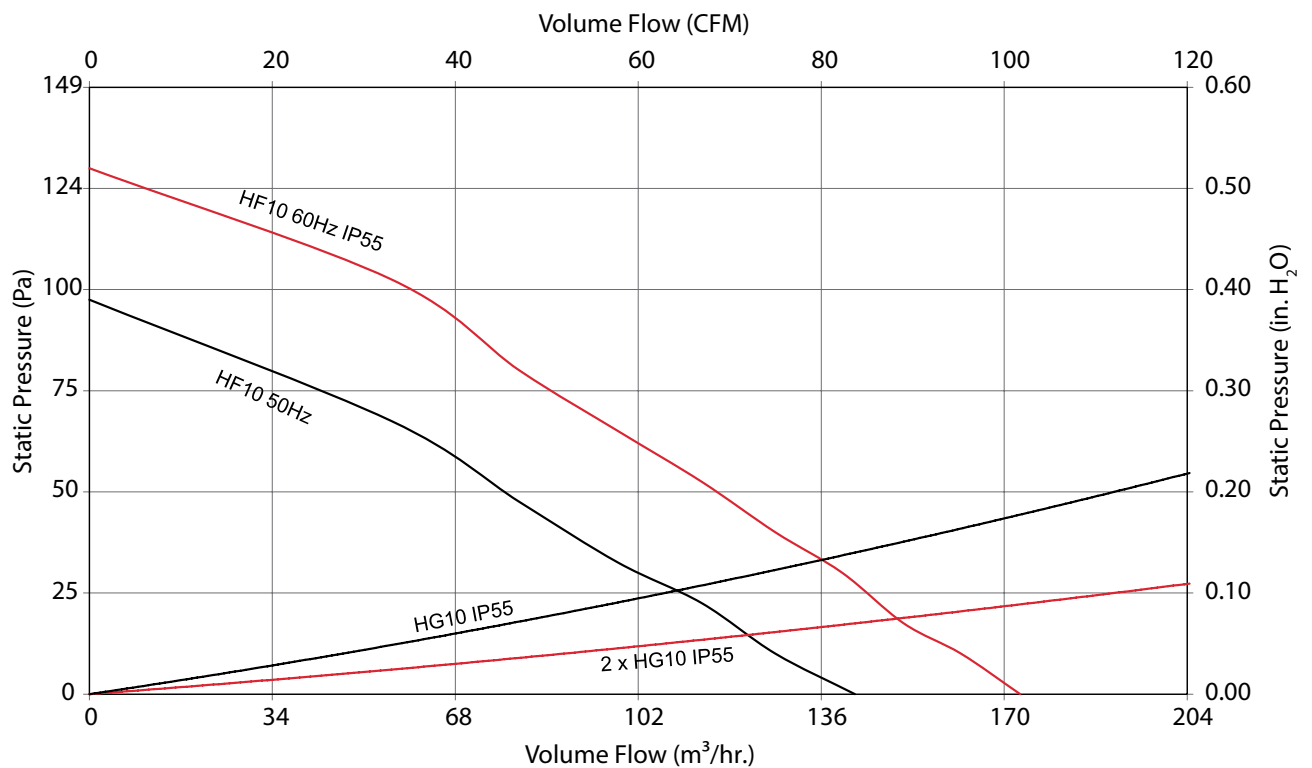
* This indicates a DC Voltage.

Performance Curves for HF10 Models 159 CFM (270 m³/hr.) Side-Mount Filter Fans

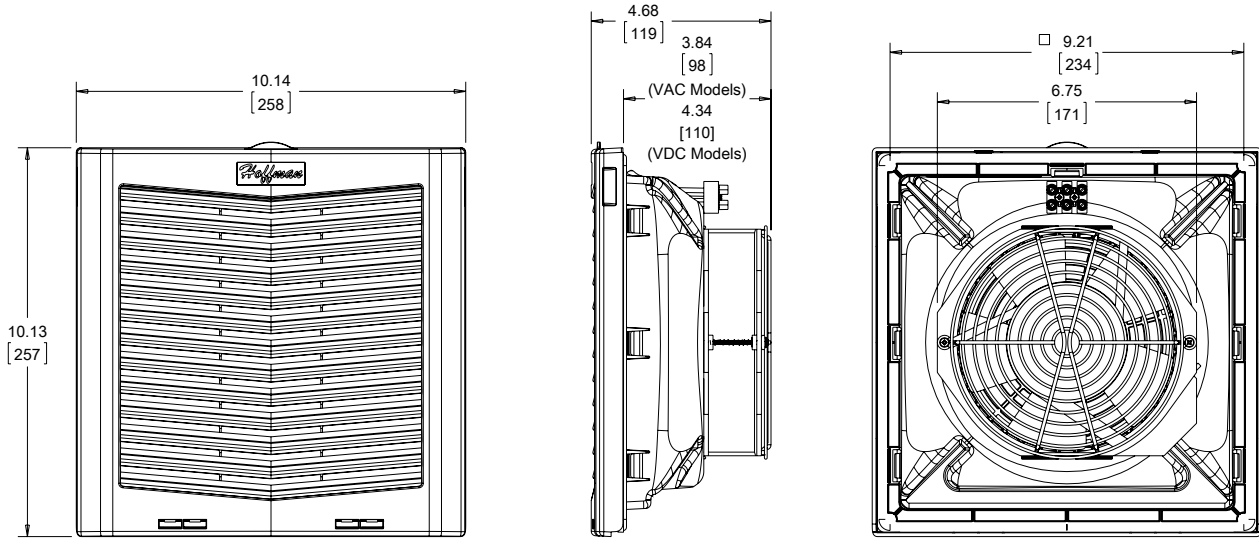
HF10 Capacity Curve, IP54



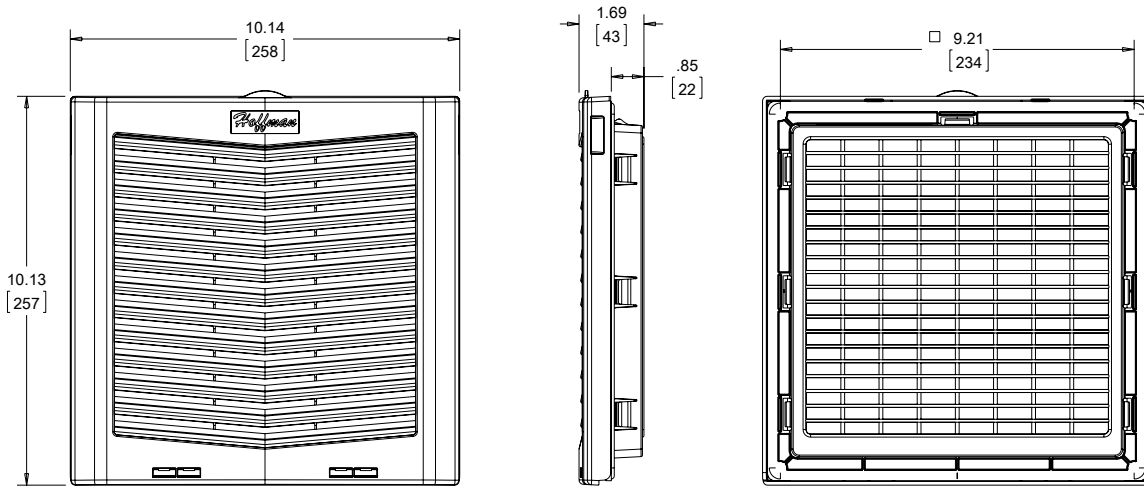
HF10 Capacity Curve, IP55



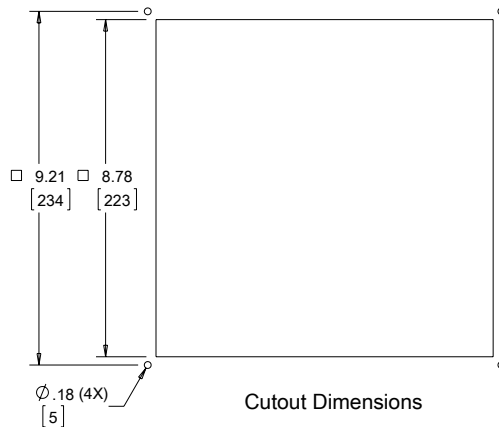
HF10 159 CFM (270 m³/Hr.) Side-Mount Filter Fans



Exhaust Grille



89140585



Cutout Dimensions

Visit nVent.com/HOFFMAN to download 2D and 3D CAD drawings into the overall design of your electrical system.

Performance Data **HF13 395 CFM (671 m³/hr.) Side-Mount Filter Fans - Standard and Reverse**

ELECTRICAL DATA						
Rated Voltage	115	230	24*	48*	115 Rvrs	230 Rvrs
Frequency (Hz)	50/60	50/60	—	—	50/60	50/60
Nominal Current Maximum (Amps)	.76/.88	.34/.37	2.6	1.12	.76/.88	.34/.37
Power Consumption Maximum (Watts)	65/72	74/80	55	54	65/72	74/80
Power Connection	Terminal Block					
TYPE 12 / IP54 FILTER FANS						
RAL 7035 Light Gray:						
Catalog Number	HF1316414	HF1326414	HF1324414	HF1348414	HF1316414R	HF1326414R
RAL 9011 Black:						
Catalog Number	HF1316413	HF1326413	HF1324413	HF1348413	HF1316413R	HF1326413R
Free Airflow (CFM / m ³ /hr.)	395/671	395/671	395/671	395/671	395/671	395/671
Airflow with 1 Exhaust Grille (CFM / m ³ /hr.)	281/477	281/477	281/477	281/477	281/477	281/477
Airflow with 2 Exhaust Grilles (CFM / m ³ /hr.)	366/621	366/621	366/621	366/621	366/621	366/621
TYPE 12 / IP55 FILTER FANS						
RAL 7035 Light Gray:						
Catalog Number	HF1316514	HF1326514	HF1324514	HF1348514	HF1316514R	HF1326514R
RAL 9011 Black:						
Catalog Number	HF1316513	HF1326513	HF1324513	HF1348513	HF1316513R	HF1326513R
Free Airflow (CFM / m ³ /hr.)	149/253	149/253	149/253	149/253	149/253	149/253
Airflow with 1 Exhaust Grille (CFM / m ³ /hr.)	100/170	100/170	100/170	100/170	100/170	100/170
Airflow with 2 Exhaust Grilles (CFM / m ³ /hr.)	113/192	113/192	113/192	113/192	113/192	113/192
FILTER FAN UNIT CONSTRUCTION						
Fan RPM	2600/3000	2600/3000	2950	2950	2600/3000	2600/3000
Sound Pressure (dBA at 50/60 Hz)	57/59	57/59	57/59	57/59	57/59	57/59
Operating Temperature Range:						
Maximum (°F / °C)	131/55	131/55	135/55	135/55	131/55	131/55
Minimum (°F / °C)	14/-10	14/-10	14/-10	14/-10	14/-10	14/-10
Service Life (hours) at 40 C	59,000	59,000	57,000	57,000	59,000	57,000
Unit Dimensions - H x W x D (in. / mm)	12.8 x 12.82 x 6.30/325 x 326 x 160					
Cutout Dimensions - H x W (in. / mm)	11.5 x 11.5/292 x 292					
Weight (lb. / kg)	4.25/1.90					
TYPE 12 / IP54 EXHAUST GRILLES						
RAL 7035 Light Gray:						
Catalog Number	HG1300404	HG1300404	HG1300404	HG1300404	HG1300404	HG1300404
RAL 9011 Black:						
Catalog Number	HG1300403	HG1300403	HG1300403	HG1300403	HG1300403	HG1300403
TYPE 12 / IP55 EXHAUST GRILLES						
RAL 7035 Light Gray:						
Catalog Number	HG1300504	HG1300504	HG1300504	HG1300504	HG1300504	HG1300504
RAL 9011 Black:						
Catalog Number	HG1300503	HG1300503	HG1300503	HG1300503	HG1300503	HG1300503
ACCESSORIES						
Replacement Filters:						
Type 12 / IP54 Catalog Number	89134427R	89134427R	89134427R	89134427R	89134427R	89134427R
Type 12 / IP55 Catalog Number	89136411R	89136411R	89136411R	89136411R	89136411R	89136411R
Thermostat Catalog Number (°F)	THERM16F	THERM26F	—	—	THERM16F	THERM26F
Thermostat Catalog Number (°C)	THERM16C	THERM26C	—	—	THERM16C	THERM26C
Shroud Catalog Number	HH13GS35001, HH13GS61001, HH13SS04001					

Above airflow rates at 60 Hz; see performance curves for airflow at 50 Hz and more details.

Unit depth is from the back edge of the grille to the back of the fan.

Exhaust Grilles sold separately.

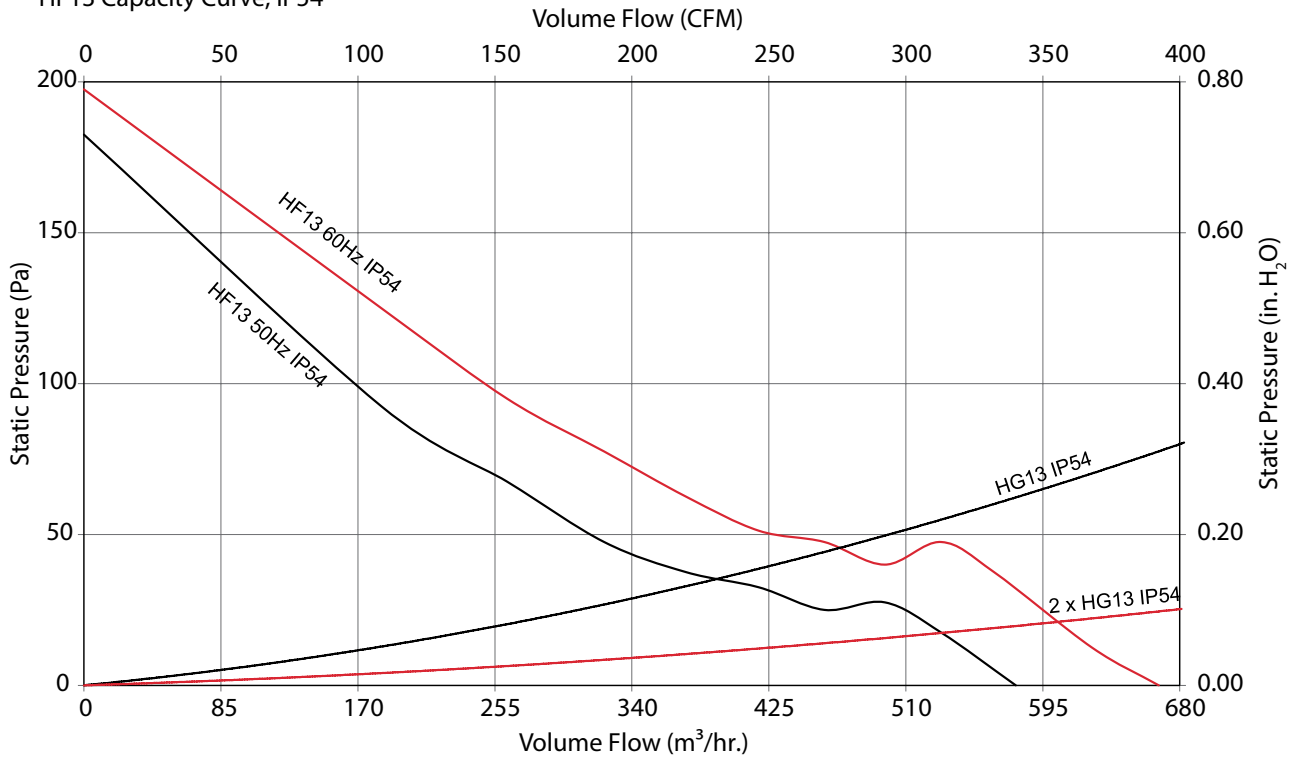
* This indicates a DC Voltage.



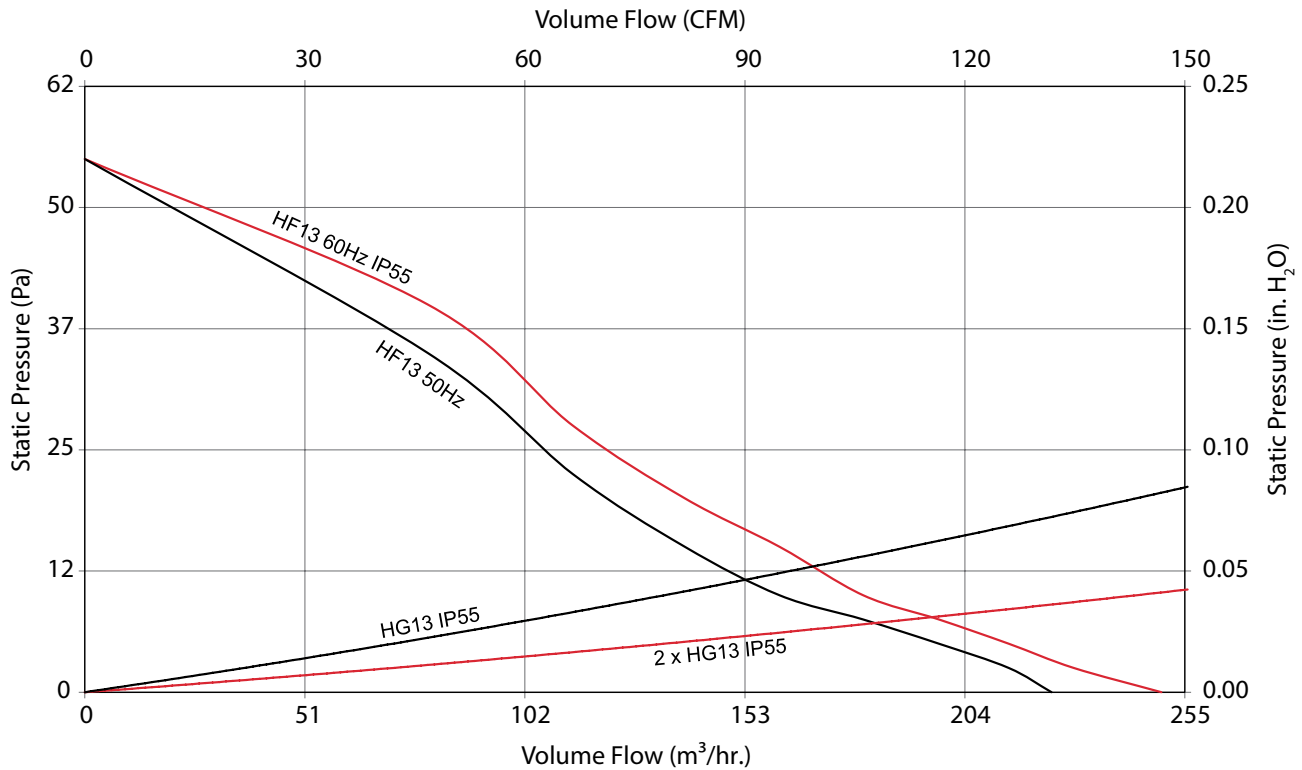
Performance Curves for HF13 Models 395 CFM (671 m³/hr.) Side-Mount Filter Fans



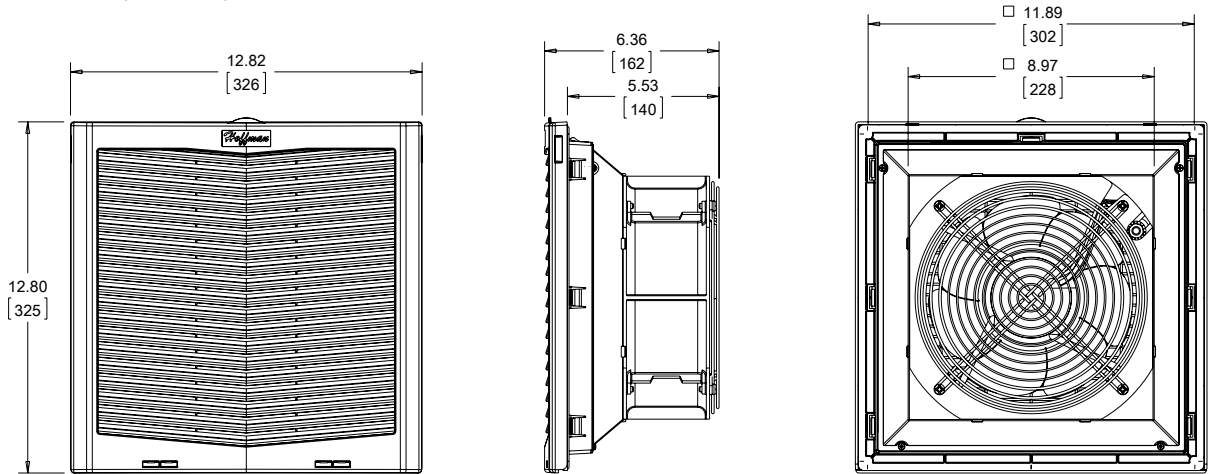
HF13 Capacity Curve, IP54



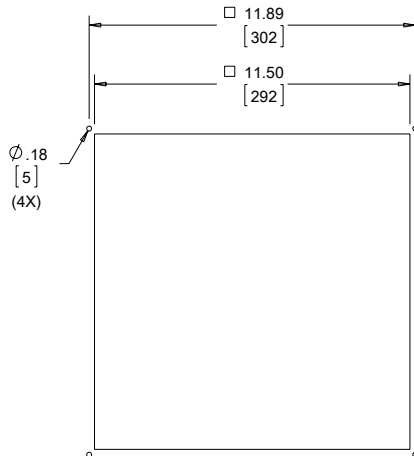
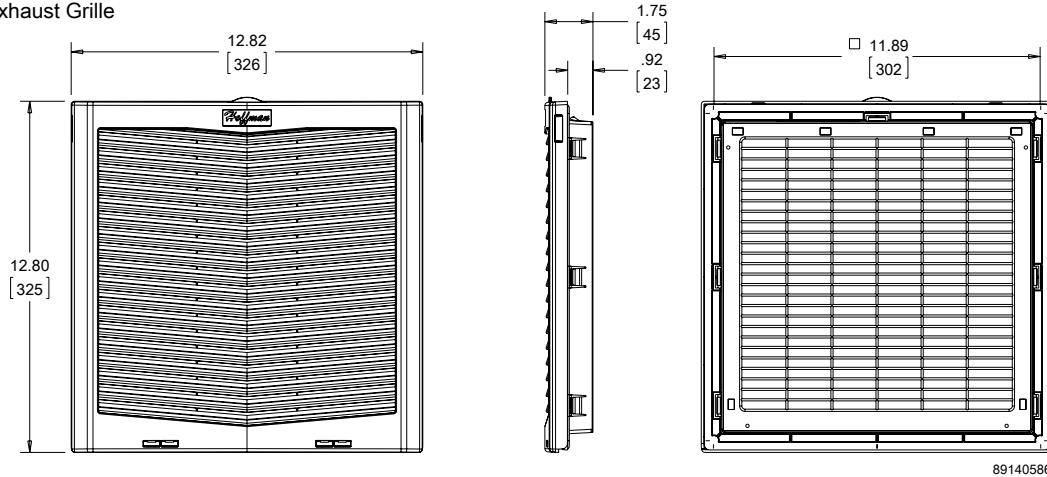
HF13 Capacity Curve, IP55



HF13 395 CFM (671 m³/hr.) Side-Mount Filter Fans - Standard and Reverse



Exhaust Grille



Cutout Dimensions

Visit nVent.com/HOFFMAN to download 2D and 3D CAD drawings into the overall design of your electrical system.

Performance Data HF13 484 CFM (822 m³/hr.) Side-Mount Filter Fans - Standard


ELECTRICAL DATA			
Rated Voltage	115	230	24*
Frequency (Hz)	50/60	50/60	—
Nominal Current Maximum (Amps)	1.08/1.18	.50/.60	5.0
Power Consumption Maximum (Watts)	112/148	119/158	105
Power Connection	Terminal Block		
TYPE 12 / IP54 FILTER FANS			
RAL 7035 Light Gray:			
Catalog Number	HF1316424	HF1326424	HF1324424
RAL 9011 Black:			
Catalog Number	HF1316423	HF1326423	HF1324423
Free Airflow (CFM / m ³ /hr.)	484/822	484/822	484/822
Airflow with 1 Exhaust Grille (CFM / m ³ /hr.)	417/708	417/708	417/708
Airflow with 2 Exhaust Grilles (CFM / m ³ /hr.)	442/751	442/751	442/751
TYPE 12 / IP55 FILTER FANS			
RAL 7035 Light Gray:			
Catalog Number	HF1316524	HF1326524	HF1324524
RAL 9011 Black:			
Catalog Number	HF1316523	HF1326523	HF1324523
Free Airflow (CFM / m ³ /hr.)	197/335	197/335	197/335
Airflow with 1 Exhaust Grille (CFM / m ³ /hr.)	155/263	155/263	155/263
Airflow with 2 Exhaust Grilles (CFM / m ³ /hr.)	175/297	175/297	175/297
FILTER FAN UNIT CONSTRUCTION			
Fan RPM	2550/2850	2550/2850	2750
Sound Pressure (dBA at 50/60 Hz)	67/70	67/70	70
Operating Temperature Range:			
Maximum (°F / °C)	131 / 55	131 / 55	131 / 55
Minimum (°F / °C)	14 / -10	14 / -10	14 / -10
Service Life (hours)	59,000	59,000	57,000
Unit Dimensions - H x W x D (in. / mm)	12.8 x 12.82 x 6.30/325 x 326 x 160		
Cutout Dimensions - H x W (in. / mm)	11.50 x 11.50/292 x 292		
Weight (lb. / kg)	4.32/1.96		
TYPE 12 / IP54 EXHAUST GRILLES			
RAL 7035 Light Gray:			
Catalog Number	HG1300404	HG1300404	HG1300404
RAL 9011 Black:			
Catalog Number	HG1300403	HG1300403	HG1300403
TYPE 12 / IP55 EXHAUST GRILLES			
RAL 7035 Light Gray:			
Catalog Number	HG1300504	HG1300504	HG1300504
RAL 9011 Black:			
Catalog Number	HG1300503	HG1300503	HG1300503
ACCESSORIES			
Replacement Filters:			
Type 12 / IP54 Catalog Number	89134427R	89134427R	89134427R
Type 12 / IP55 Catalog Number	89136411R	89136411R	89136411R
Thermostat Catalog Number (°F)	THERM16F	THERM26F	—
Thermostat Catalog Number (°C)	THERM16C	THERM26C	—
Shroud Catalog Number	HH13GS35001, HH13GS61001, HH13SS04001		

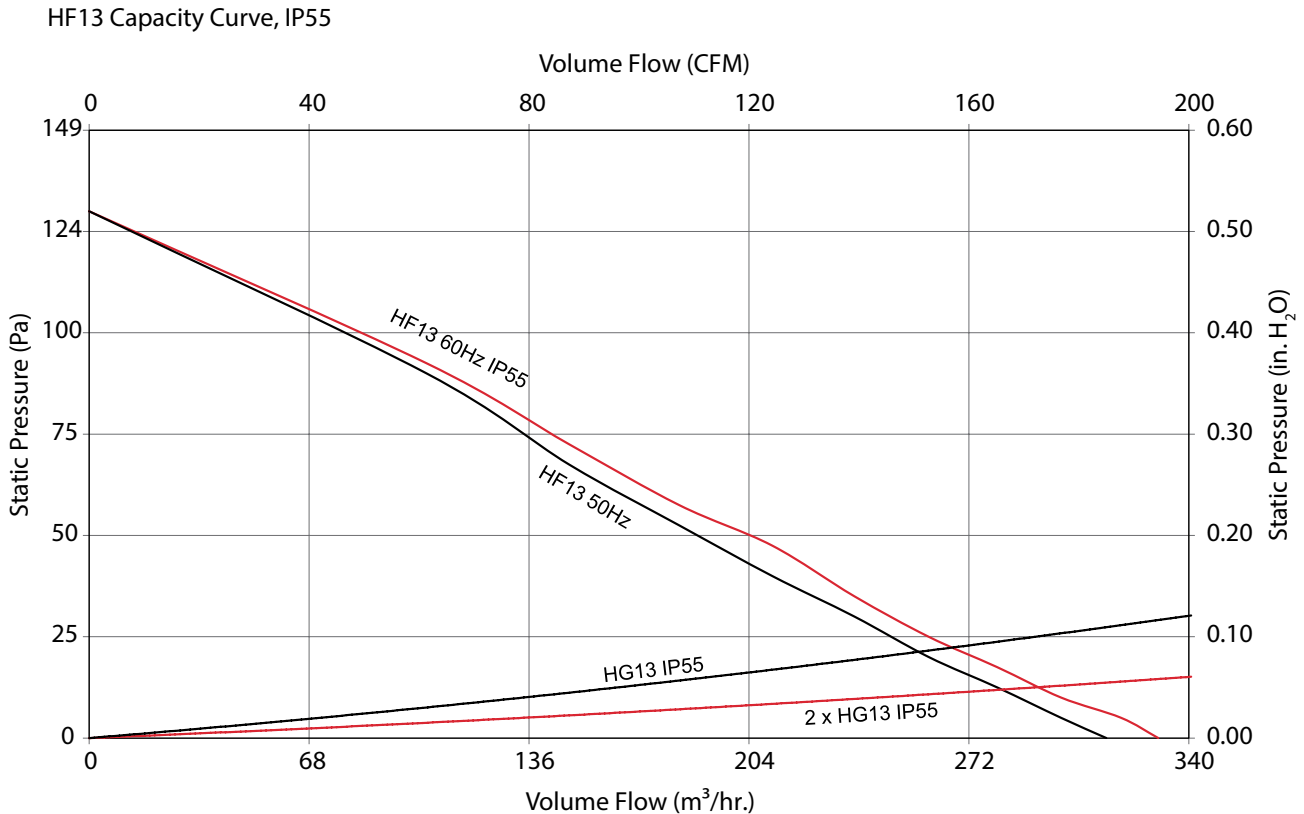
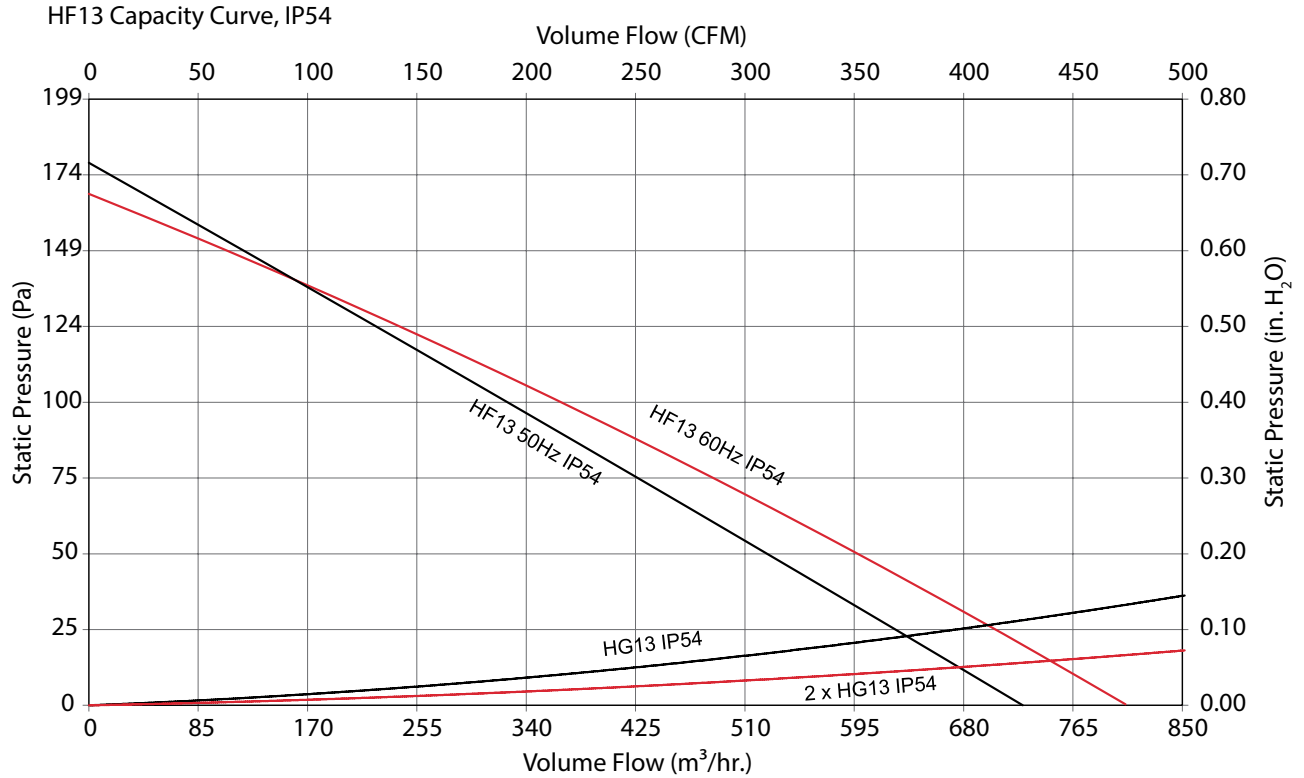
Above airflow rates at 60 Hz; see performance curves for airflow at 50 Hz and more details.

Unit depth is from the back edge of the grille to the back of the fan.

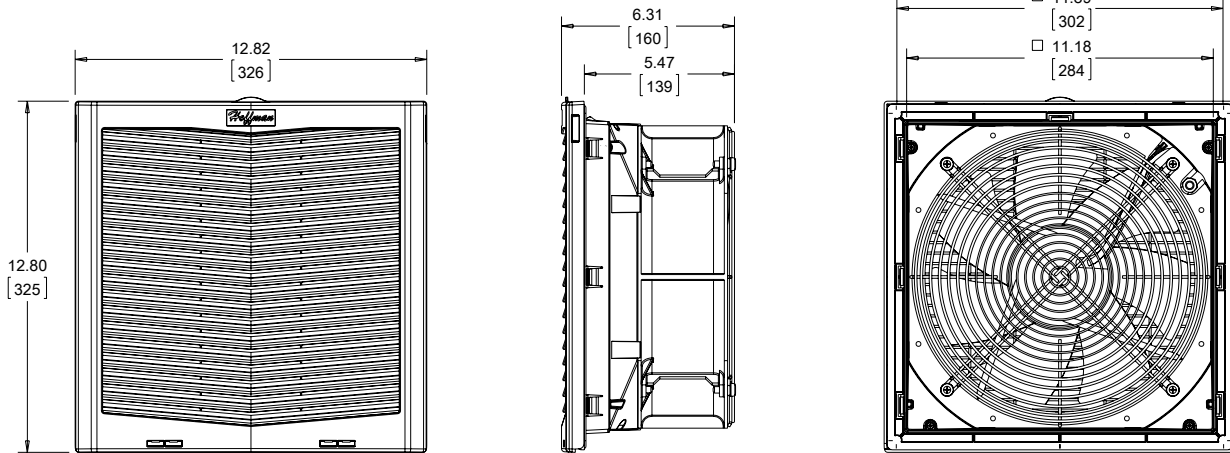
Exhaust Grilles sold separately.

* This indicates a DC Voltage.

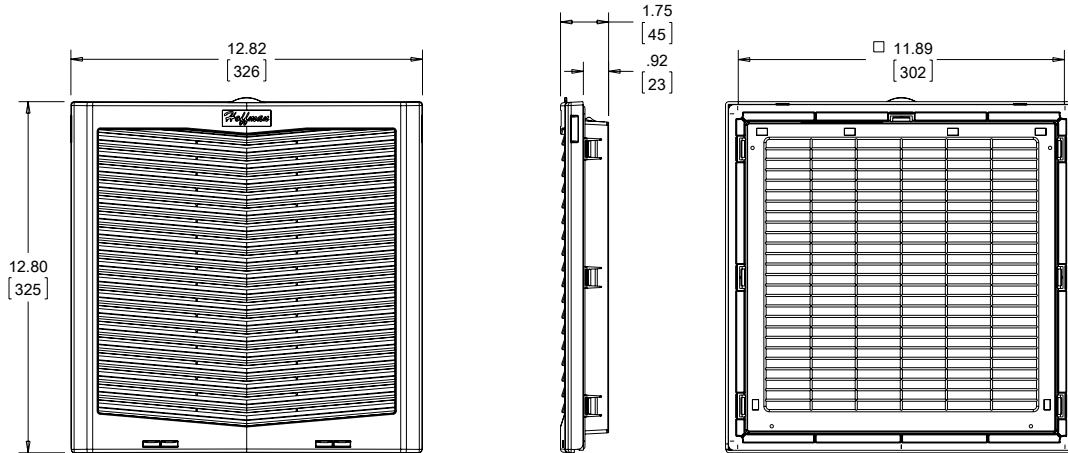
Performance Curves for HF13 Models 484 CFM (822 m³/hr.) Side-Mount Filter Fans



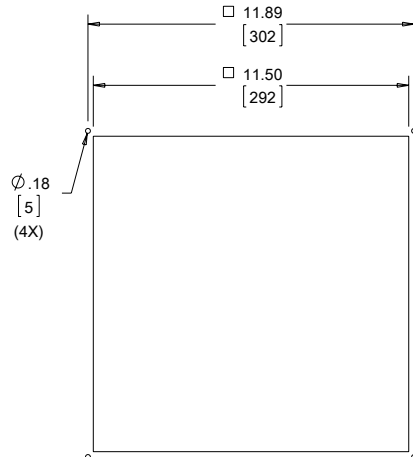
HF13 484 CFM (822 m³/hr.) Side-Mount Filter Fans - Standard and Reverse



Exhaust Grille



89140587



Cutout Dimensions

Visit nVent.com/HOFFMAN to download 2D and 3D CAD drawings into the overall design of your electrical system.



Performance Data **HF13 484 CFM (822 m³/hr.) Side-Mount Filter Fans - Reverse**

ELECTRICAL DATA		
Rated Voltage	115 Rvrs	230 Rvrs
Frequency (Hz)	50/60	50/60
Nominal Current Maximum (Amps)	1.05/1.5	.51/.70
Power Consumption Maximum (Watts)	112/148	119/158
Power Connection	Terminal Block	
TYPE 12 / IP54 FILTER FANS		
RAL 7035 Light Gray:		
Catalog Number	HF1316424R	HF1326424R
RAL 9011 Black:		
Catalog Number	HF1316423R	HF1326423R
Free Airflow (CFM / m ³ /hr.)	484/822	484/822
Airflow with 1 Exhaust Grille (CFM / m ³ /hr.)	417/708	417/708
Airflow with 2 Exhaust Grilles (CFM / m ³ /hr.)	442/751	442/751
FILTER FAN UNIT CONSTRUCTION		
Fan RPM	2550/2850	2550/2850
Sound Pressure (dBA at 50/60 Hz)	67/70	67/70
Operating Temperature Range:		
Maximum (°F / °C)	131/55	131/55
Minimum (°F / °C)	14/-10	14/-10
Service Life (hours)	59,000	59,000
Unit Dimensions - H x W x D (in. / mm)	12.8 x 12.82 x 6.30/325 x 326 x 160	
Cutout Dimensions - H x W (in. / mm)	11.50 x 11.50/292 x 292)	
Weight (lb. / kg)	4.32/1.96	
TYPE 12 / IP54 EXHAUST GRILLES		
RAL 7035 Light Gray:		
Catalog Number	HG1300404	HG1300404
RAL 9011 Black:		
Catalog Number	HG1300403	HG1300403
TYPE 12 / IP55 EXHAUST GRILLES		
RAL 7035 Light Gray:		
Catalog Number	HG1300504	HG1300504
RAL 9011 Black:		
Catalog Number	HG1300503	HG1300503
ACCESSORIES		
Replacement Filters:		
Type 12/IP54 Catalog Number	89134427R	89134427R
Type 12 / IP55 Catalog Number	89136411R	89136411R
Thermostat Catalog Number (°F)	THERM16F	THERM26F
Thermostat Catalog Number (°C)	THERM16C	THERM26C
Shroud Catalog Number	HH13GS35001, HH13GS61001, HH13SS04001	

Above airflow rates at 60 Hz; see performance curves for airflow at 50 Hz and more details.

Unit depth is from the back edge of the grille to the back of the fan.

Exhaust Grilles sold separately.



HR TOP-MOUNT FILTER FANS



INDUSTRY STANDARDS

UL/cUL Listed; Type 12; File No. E482010

CE
EAC

APPLICATION

- Industrial automation
- Automotive assembly
- Package handling equipment
- Food and beverage process controls
- Wind energy systems

FEATURES

- Free airflow up to 266 CFM (452 m³/hr.) or 348 CFM (591 m³/hr.)
- Enclosure roof mounting
- Bolt in place to ensure a tight seal
- Terminal block connections

FINISH

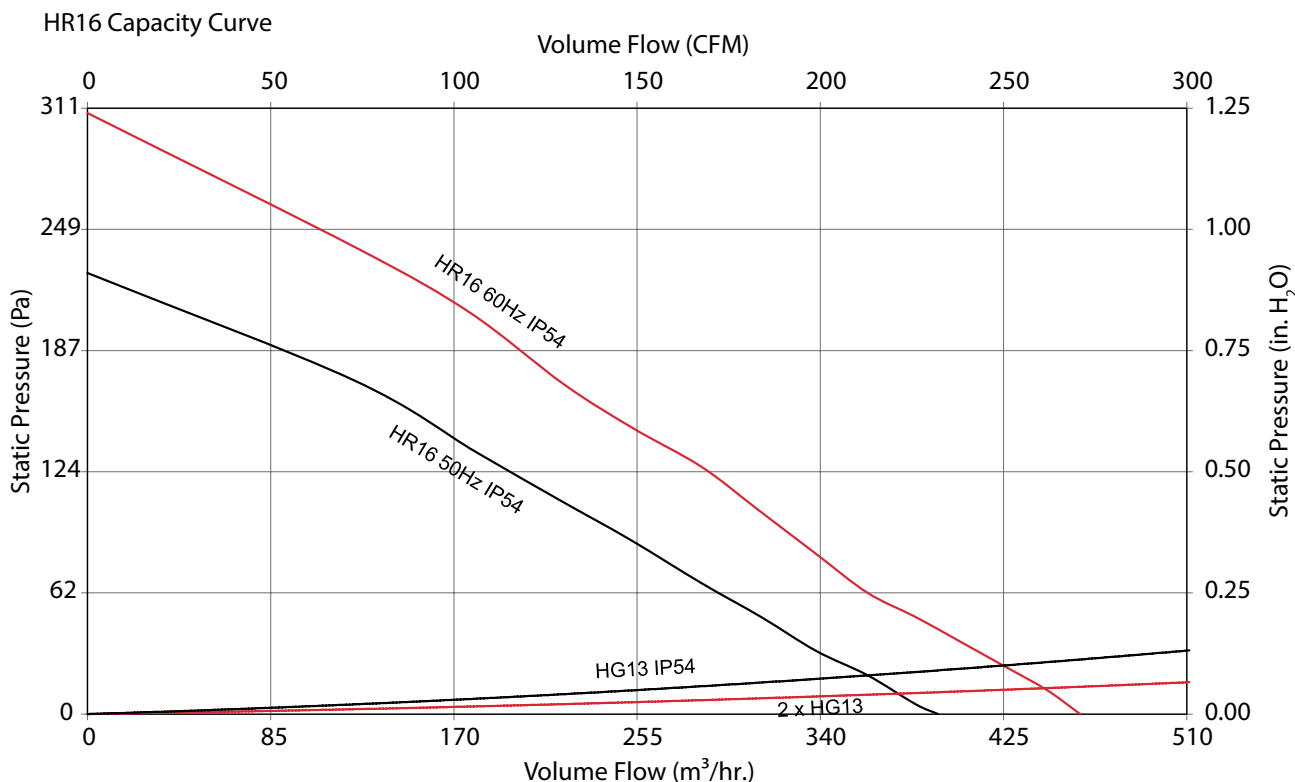
- RAL 7035 light-gray UV-resistant mild steel standard
- RAL 9011 black UV-resistant mild steel optional



Performance Data **HR16 266 CFM (452 m³/hr.) Top-Mount Filter Fans**

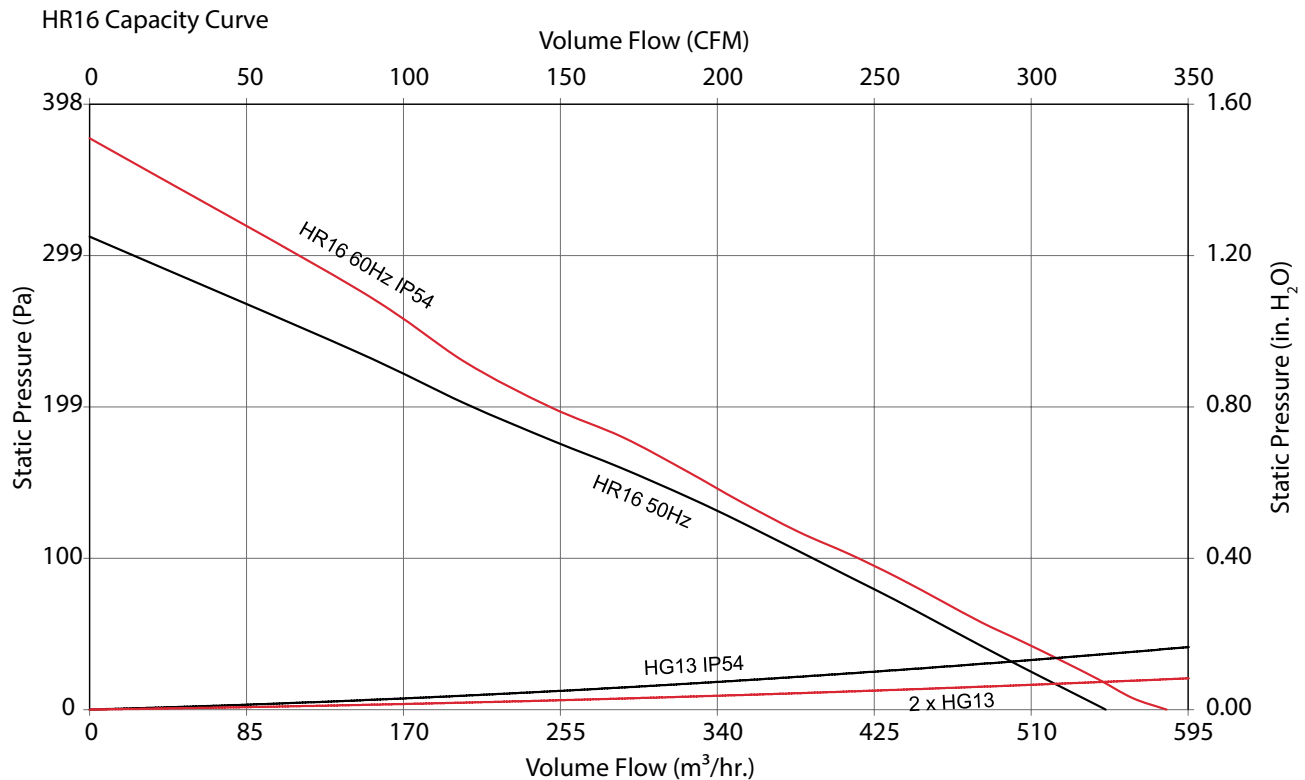
ELECTRICAL DATA		
Rated Voltage	115	230
Frequency (Hz)	50/60	50/60
Nominal Current Maximum (Amps)	.82	.48
Power Consumption Maximum (Watts)	80	108
Power Connection	Terminal Block	
FILTER FANS		
RAL 7035 Light Gray:		
Catalog Number	HR1616414	HR1626414
Free Airflow (CFM / m ³ /hr.)	266/452	266/452
Airflow with 1 Exhaust Grille (CFM / m ³ /hr.)	250/425	250/425
Airflow with 2 Exhaust Grilles (CFM / m ³ /hr.)	260/442	260/442
FILTER FAN UNIT CONSTRUCTION		
Fan RPM	2880	2980
Sound Pressure (dBA)	70	68
Operating Temperature Range:		
Maximum (°F / °C)	131/55	131/55
Minimum (°F / °C)	14/-10	14/-10
Service Life (hours)	50,000	50,000
Unit Dimensions - H x W x D (in. / mm)	13.52 x 16.27 x 4.19 / 343 x 413 x 107	
Cutout Dimensions - H x W (in. / mm)	10.43 x 13.58 / 265 x 345	
Weight (lb. / kg)	17.20 / 7.8	
EXHAUST GRILLES		
RAL 7035 Light Gray:		
Catalog Number	HG1300404	
ACCESSORIES		
Replacement Filters:		
Catalog Number	89136409R	89136409R
Thermostat Catalog Number (°F)	THERM16F	THERM26F
Thermostat Catalog Number (°C)	THERM16C	THERM26C

Performance Curves for HR16 Models 266 CFM (452 m³/hr.) Side-Mount Filter Fans

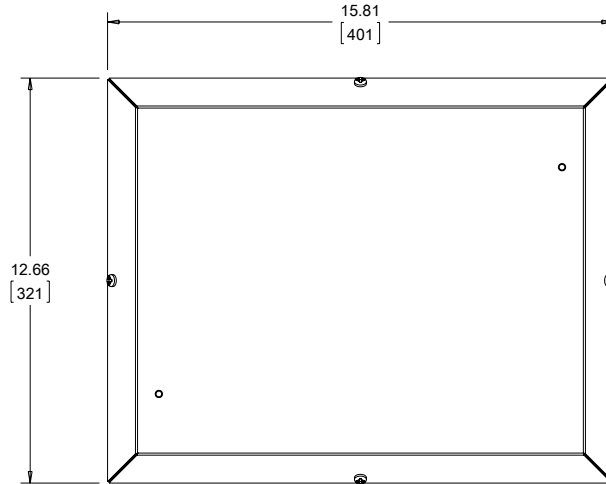


Performance Data **HR16 348 CFM (591 m³/hr.) Top-Mount Filter Fans**

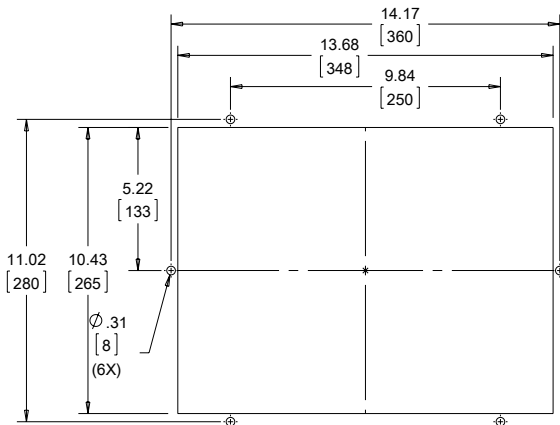
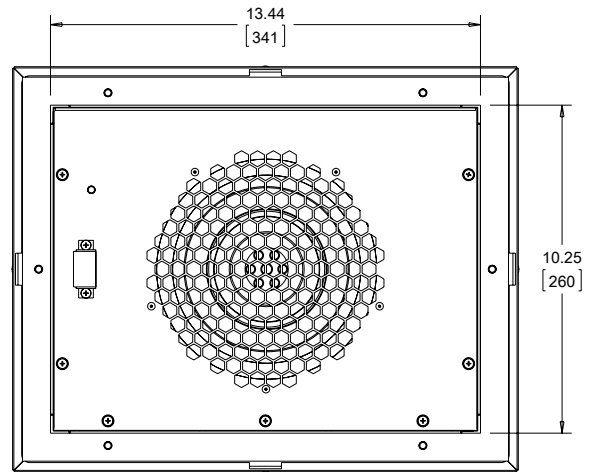
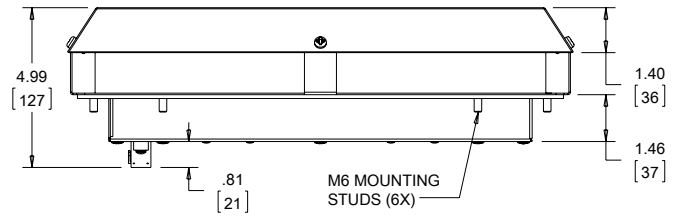
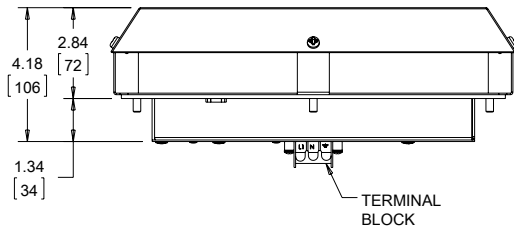

ELECTRICAL DATA		
Rated Voltage	115	230
Frequency (Hz)	50/60	50/60
Nominal Current Maximum (Amps)	.93	.53
Power Consumption Maximum (Watts)	107	120
Power Connection	Terminal Block	
FILTER FANS		
RAL 7035 Light Gray:		
Catalog Number	HR1616424	HR1626424
Free Airflow (CFM / m ³ /hr.)	348/591	348/591
Airflow with 1 Exhaust Grille (CFM / m ³ /hr.)	311/528	311/528
Airflow with 2 Exhaust Grilles (CFM / m ³ /hr.)	325/552	325/552
FILTER FAN UNIT CONSTRUCTION		
Fan RPM	2610	2650
Sound Pressure (dBA)	68	68
Operating Temperature Range:		
Maximum (°F / °C)	131/55	131/55
Minimum (°F / °C)	14/-10	14/-10
Service Life (hours)	50,000	50,000
Unit Dimensions - H x W x D (in. / mm)	13.52 x 16.27 x 4.19 / 343 x 413 x 107	
Cutout Dimensions - H x W (in. / mm)	10.43 x 13.58 / 265 x 345	
Weight (lb. / kg)	17.20 / 7.8	
EXHAUST GRILLES		
RAL 7035 Light Gray:		
Catalog Number	HG1300404	
ACCESSORIES		
Replacement Filters:		
Catalog Number	89134427R	89136409R
Thermostat Catalog Number (°F)	THERM16F	THERM26F
Thermostat Catalog Number (°C)	THERM16C	THERM26C

 Performance Curves for HR16 Models 348 CFM (591 m³/hr.) Side-Mount Filter Fans


HR16 266-348 CFM (452-591 m³/hr.) Top-Mount Filter Fans



89140807



Cutout Dimensions

Visit nVent.com/HOFFMAN to download 2D and 3D CAD drawings into the overall design of your electrical system.



FILTER FAN SHROUDS, TYPE 3R



INDUSTRY STANDARDS

Maintains UL/cUL Listed Type 3R and Type 12 rating when properly installed on a Type 3R or Type 12 enclosure

UL 508A UL/cUL Listed; Type 3R; File No. E482010

FEATURES

- Protects filter fan and exhaust grill from wind-driven rain and high-pressure hose water
- Easy one person installation with simple back panel mounting
- Easily accessed filter simplifies replacement
- Low profile design
- Provides Type 3R protections and maintains a Type 12 rating when used with an equivalent rated filter kit

FINISH

- RAL 7035 light gray polyester powder coat paint on galvanized metal
- ANSI 61 gray polyester powder coat paint on galvanized metal
- Stainless Steel #304

Performance Data

Performance Data			
HH05 Models			
Catalog Number	HH05GS35001	HH05GS61001	HH05SS04001
Provides protection for:			
Filter Fan Models	HF04 and HF05	HF04 and HF05	HF04 and HF05
Exhaust Grille Models	HG04 and HG05	HG04 and HG05	HG04 and HG05
Unit Construction			
Material	Galvanized	Galvanized	Stainless Steel #304
Finish	RAL 7035 polyester powder coat paint	ANSI 61 polyester powder coated paint	N/A
Unit Dimensions H x W x D (in./mm)	10.50 x 8.00 x 1.85 267 x 203 x 47	10.50 x 8.00 x 1.85 267 x 203 x 47	10.50 x 8.00 x 1.85 267 x 203 x 47
HH10 Models			
Catalog Number	HH10GS35001	HH10GS61001	HH10SS04001
Provides protection for:			
Filter Fan Models	HF09, HF10, TFP4 and TFP6	HF09, HF10, TFP4 and TFP6	HF09, HF10, TFP4 and TFP6
Exhaust Grille Models	HG09, HG10, TEP4 and TEP6	HG09, HG10, TEP4 and TEP6	HG09, HG10, TEP4 and TEP6
Unit Construction			
Material	Galvanized	Galvanized	Stainless Steel #304
Finish	RAL 7035 polyester powder coat paint	ANSI 61 polyester powder coated paint	N/A
Unit Dimensions H x W x D (in./mm)	15.00 x 12.00 x 3.81 381 x 305 x 97	15.00 x 12.00 x 3.81 381 x 305 x 97	15.00 x 12.00 x 3.81 381 x 305 x 97
HH13 Models			
Catalog Number	HH13GS35001	HH13GS61001	HH13SS04001
Provides protection for:			
Filter Fan Models	HF13 and TFP10	F13 and TFP10H	HF13 and TFP10
Exhaust Grille Models	HG13 and TEP10	HG13 and TEP10	HG13 and TEP10
Unit Construction			
Material	Galvanized	Galvanized	Stainless Steel #304
Finish	RAL 7035 polyester powder coat paint	ANSI 61 polyester powder coated paint	N/A
Unit Dimensions H x W x D (in./mm)	18.00 x 15.00 x 4.76 457 x 381 x 121	18.00 x 15.00 x 4.76 457 x 381 x 121	18.00 x 15.00 x 4.76 457 x 381 x 121



HF REPLACEMENT FILTERS



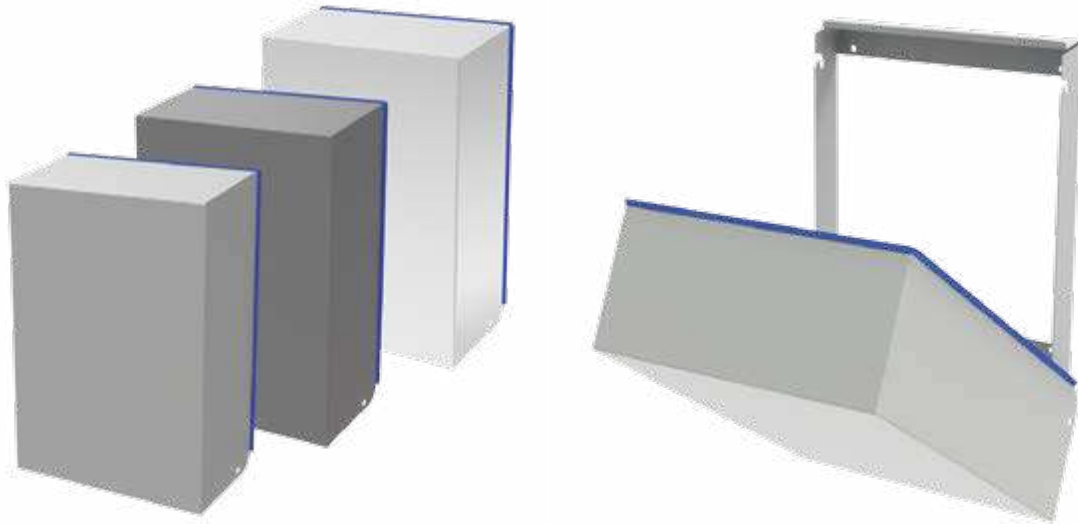
- Type 12 / IP54 filter option provides protection against dust infiltration (6 filters per package)
- IP55 filter adds additional protection against moisture
- See individual product pages for catalog and item numbers to order



CATALOG NUMBERS	FITS FAN PACKAGES
89134423R	All HF04 Models
89134424R	All HF05 IP54 Models
89136408R	All HF05 IP55 Models
89134425R	All HF09 IP54 Models
89136409R	All HF09 IP55 Models
89134426R	All HF10 IP54 Models
89136410R	All HF10 IP55 Models
89134427R	All HF13 IP54 Models
89136411R	All HF13 IP55 Models



FILTER FAN SHROUDS, TYPE 4/4X



INDUSTRY STANDARDS

Maintains UL/cUL Listed Type 4 and Type 4X rating when properly installed on a Type 4 or Type 4X enclosure.

UL 508A UL/cUL Listed; Type 4, 4X; File No. E482010

CE
EAC

APPLICATION

- Outdoor telecommunication
- Outdoor displays
- Security systems
- Industrial automation
- Automotive assembly
- Package handling equipment
- Wind energy systems

FEATURES

- Protects filter fan and exhaust grill from standard washdown procedures
- Meets Type 4/4X standards when used with HF or TFP Type 12 Filter Fans and Grilles
- Hinge allows the shroud to be opened at a 45-degree angle for easy filter replacement
- Hinge design also allows for easy and complete removal for cleaning
- 10-degree, sloped top design
- Only reduces filter fan airflow by 10 percent
- Easy one person installation with simple back panel mounting; hardware included
- FDA approved blue silicone gasket that is easily replaceable
- Pre-drilled side holes allow for locking provision on side

FINISH

- RAL 7035 light gray polyester powder coat paint on mild steel
- ANSI 61 gray polyester powder coat paint on mild steel
- Stainless Steel #304

NOTES

Hoffman Type 4/4X shrouds are for general ventilating use only and are not suitable in all applications or environments. Spraying water directly up the bottom of the shroud will incur water ingress.

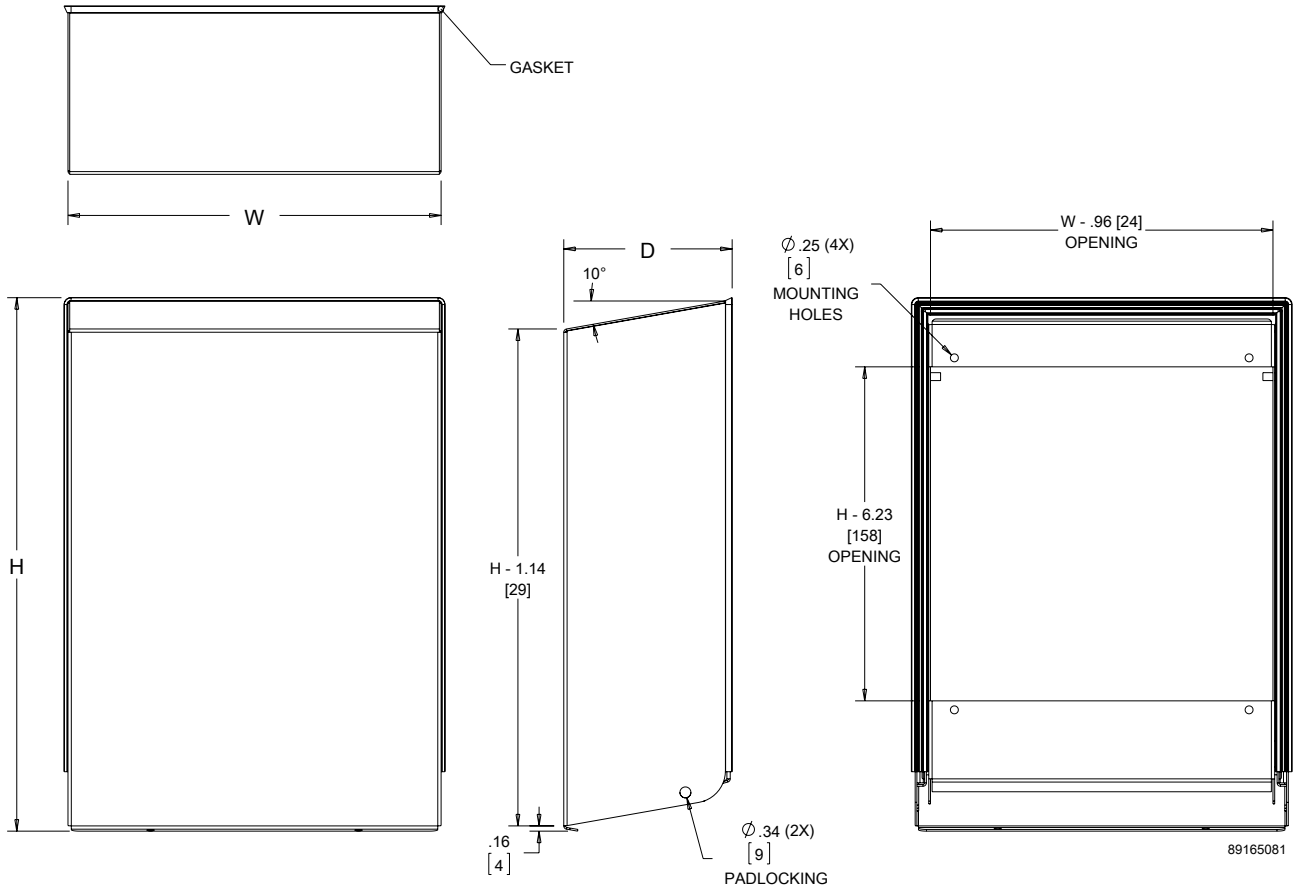
To protect sensitive components against condensation, an enclosure heater or closed-loop cooling is recommended.
To protect sensitive components against corrosive elements, closed-loop cooling is recommended.

The shroud Type 4/4X UL rating contingent on proper use of nVent HOFFMAN Type 12 filter fans with filter media.

Performance Data

HH05 Models			
Catalog Number	HH05MS35004	HH05MS61004	HH05SS04004X
Provides protection for:			
HF Filter Fan Models	HF04 and HF05	HF04 and HF05	HF04 and HF05
HG Exhaust Grille Models	HG04 and HG05	HG04 and HG05	HG04 and HG05
TFP Side-Mount Fans	TFP41UL12, TFP42UL12	TFP41UL12, TFP42UL12	TFP41UL12, TFP42UL12
Unit Construction			
Material	Mild Steel	Mild Steel	Stainless Steel #304
Finish	RAL 7035 polyester powder coat paint	ANSI 61 polyester powder coated paint	Brushed
Unit Dimensions H x W x D (in./mm)	12.33 x 7.70 x 3.40 313 x 196 x 86	12.33 x 7.70 x 3.40 313 x 196 x 86	12.33 x 7.70 x 3.40 313 x 196 x 86
HH09 Models			
Catalog Number	HH09MS35004	HH09MS61004	HH09SS04004X
Provides protection for:			
HF Filter Fan Models	HF09	HF09	HF09
HG Exhaust Grille Models	HG09	HG09	HG09
Unit Construction			
Material	Mild Steel	Mild Steel	Stainless Steel #304
Finish	RAL 7035 polyester powder coat paint	ANSI 61 polyester powder coated paint	Brushed
Unit Dimensions H x W x D (in./mm)	14.58 x 9.70 x 4.60 370 x 246 x 117	14.58 x 9.70 x 4.60 370 x 246 x 117	14.58 x 9.70 x 4.60 370 x 246 x 117
HH10 Models			
Catalog Number	HH10MS35004	HH10MS61004	HH10SS04004X
Provides protection for:			
HF Filter Fan Models	HF10	HF10	HF10
HG Exhaust Grille Models	HG10	HG10	HG10
TFP Side-Mount Fans	TFP61UL12, TFP62UL12	TFP61UL12, TFP62UL12	TFP61UL12, TFP62UL12
Unit Construction			
Material	Mild Steel	Mild Steel	Stainless Steel #304
Finish	RAL 7035 polyester powder coat paint	ANSI 61 polyester powder coated paint	Brushed
Unit Dimensions H x W x D (in./mm)	16.66 x 11.90 x 5.20 423 x 302 x 132	16.66 x 11.90 x 5.20 423 x 302 x 132	16.66 x 11.90 x 5.20 423 x 302 x 132
HH13 Models			
Catalog Number	HH13MS35004	HH13MS61004	HH13SS04004X
Provides protection for:			
HF Filter Fan Models	HF13	HF13	HF13
HG Exhaust Grille Models	HG13	HG13	HG13
TFP Side-Mount Fans	TFP101UL12, TFP102UL12	TFP101UL12, TFP102UL12	TFP101UL12, TFP102UL12
Unit Construction			
Material	Mild Steel	Mild Steel	Stainless Steel #304
Finish	RAL 7035 polyester powder coat paint	ANSI 61 polyester powder coated paint	Brushed
Unit Dimensions H x W x D (in./mm)	19.50 x 14.30 x 6.10 495 x 363 x 155	19.50 x 14.30 x 6.10 495 x 363 x 155	19.50 x 14.30 x 6.10 495 x 363 x 155





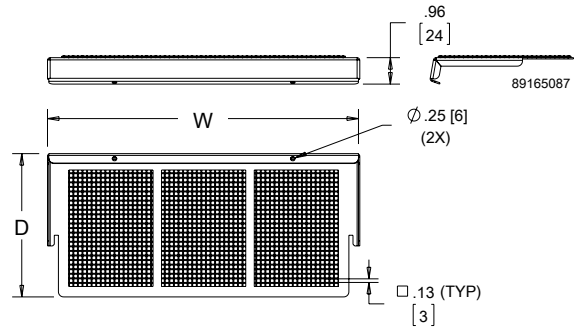


FILTER FAN SHROUD, TYPE 4/4X PEST SCREENS



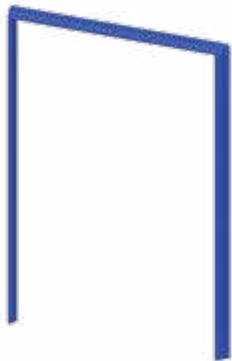
Stainless steel frame and mesh with 0.13 (3 mm) holes to keep large pests and debris from entering and clogging filter media.

CATALOG NUMBER	Description	W (in./mm)	D (in./mm)
HH05PS004	5-inch shroud pest screen	7.41 188	3.43 87
HH09PS004	9-inch shroud pest screen	9.46 240	4.61 117
HH10PS004	10-inch shroud pest screen	9.49 241	5.23 133
HH13PS004	13-inch shroud pest screen	14.07 357	6.11 155



FILTER FAN SHROUD, TYPE 4/4X REPLACEMENT GASKET

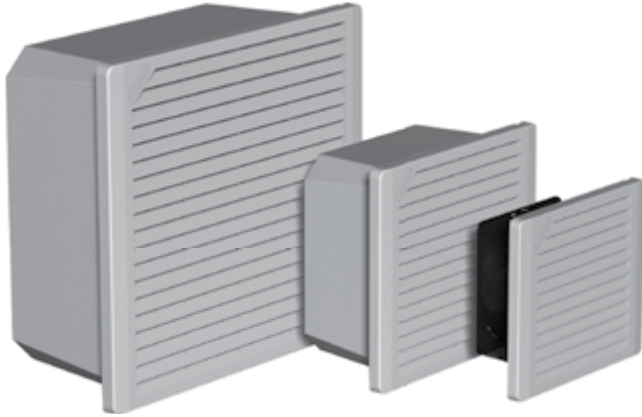
FDA approved, blue silicone gasket that is easily replaceable.



CATALOG NUMBER	Description
HH05RGKSP	5-inch shroud replacement gasket
HH09RGKSP	9-inch shroud replacement gasket
HH10RGKSP	10-inch shroud replacement gasket
HH13RGKSP	13-inch shroud replacement gasket



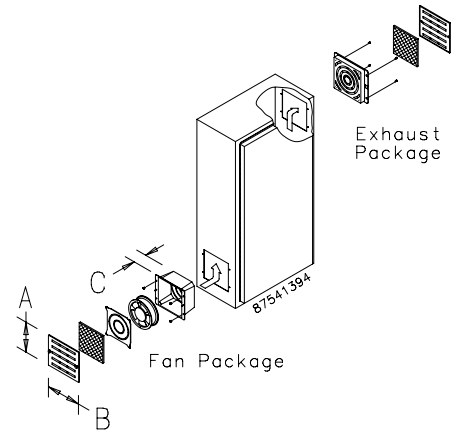
TFP SIDE-MOUNT FANS



TFP10
215 CFM
(365 m³/hr.)

TFP6
140 CFM
(238 m³/hr.)

TFP4
55 CFM
(93 m³/hr.)



INDUSTRY STANDARDS

UL 508A Component Recognized; File No. E61997
TFP# Models: Type 1
TFP# UL 12 Models: Type 12

CSA certified (fan only)
CE

APPLICATION

- Industrial automation
- Automotive assembly
- Package handling equipment
- Food and beverage process controls
- Wind energy systems

FEATURES

- Cooling Fan Package includes fan, air filter, composite air plenum, finger guard and grille
- Exhaust Package includes air filter, filter retainer with integral finger guard and grille
- EMC Upgrade Kit includes a grille standoff collar and a special EMC shielding grille
- Reliable cooling for enclosures with limited space requiring simple filtered airflow for basic cooling
- 24 VDC, 115 VAC and 230 VAC options available
- Washable foam (Type 1) or disposable (Type 12) filter in fan

- Dynamically-balanced fan impellers molded from polycarbonate material
- 4-in. fan is thermally protected and uses permanently-lubricated ball bearings
- 6- and 10-in. fans have ball bearing construction and split-capacitor motors that are thermally protected to avoid premature failure
- Fans have lead wires for power connection with ends stripped 1/2 in. (12 mm)
- All mounting hardware and installation instructions are furnished

SPECIFICATIONS

- Free airflow from 45 CFM (76 m³/hr.) to 215 CFM (365 m³/hr.)
- Maximum operating temperature 158 F / 70 C
- Engineered for 50,000 hours of continuous operation without lubrication or service (a monthly maintenance schedule is recommended to ensure optimal cooling performance)

FINISH

- Stainless steel grilles have brushed finish.
- ABS composite grille is black.

ACCESSORIES

TFP Exhaust Grilles
TFP Optional Grilles and Replacement Filters
TFP EMC Upgrade Kit

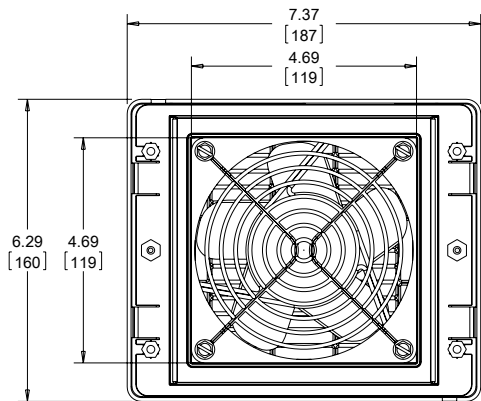


Performance Data **TFP4 Models**

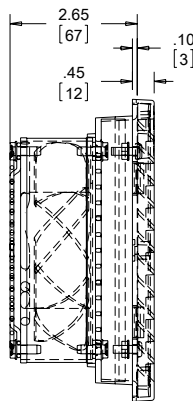
ELECTRICAL DATA			
Rated Voltage	24 VDC	115 VAC	230 VAC
Frequency (Hz)		50/60	
Nominal Current Maximum @ 50/60 Hz (Amps)	.35	.26/.21	.14/.11
Power Consumption Maximum @ 50/60 Hz (Watts)	8.4	17/15	16/14
Power Connection	Stripped Leadwires		
CATALOG NUMBERS			
Composite Type 1			
Catalog Number	TFP424	TFP41	TFP42
Stainless Steel Type 1			
Catalog Number	—	TFP41SS	TFP42SS
Composite Type 12			
Catalog Number	—	TFP41UL12	TFP42UL12
Free Airflow @ 50/60 Hz (CFM)*	55	45/55	45/55
Free Airflow @ 50/60 Hz (m ³ /hr.)*	93	76/93	76/93
UNIT CONSTRUCTION			
Noise SIL @ 50/60 Hz (dBA)	65	37/41	37/41
Maximum Operating Temperature (°F/°C)		158/70	
Unit Dimensions - H x W x D (in./mm)		6.29 x 7.37 x 2.65/160 x 187 x 67	
Cutout Dimensions - H x W (in./mm)		5.66 x 5.66/144 x 144	
Weight (lb./kg)	4.2/1.90	4.2/1.90	4.3/1.95
EXHAUST GRILLE CATALOG NUMBERS			
Composite Type 1			
Catalog Number		TEP4	
Stainless Steel Type 1			
Catalog Number		TEP4SS	
Composite Type 12			
Catalog Number		TEP4UL12	

*CFM with single exhaust grille installed.

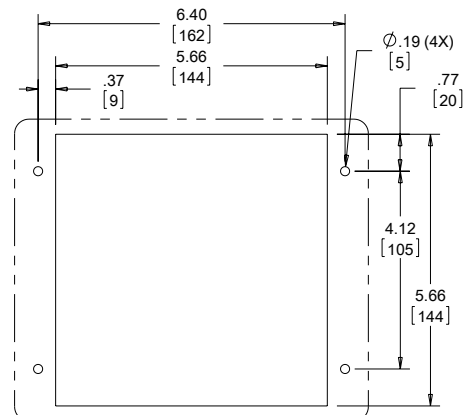
TFP4 Models



BACK VIEW

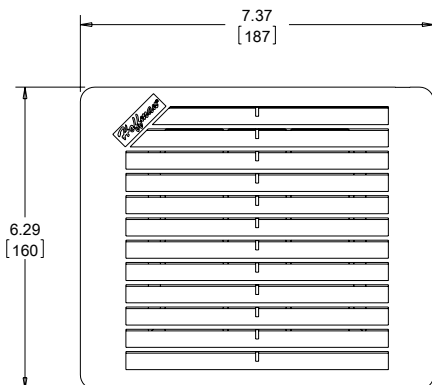


SIDE VIEW

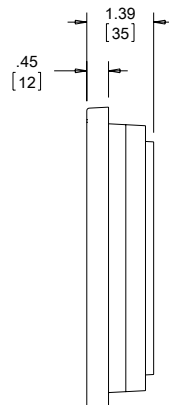


FAN GRILLE OUTLINE
CUTOUT DIMENSIONS

TEP4 EXHAUST GRILLE



Exhaust grille included with fan package



89084706



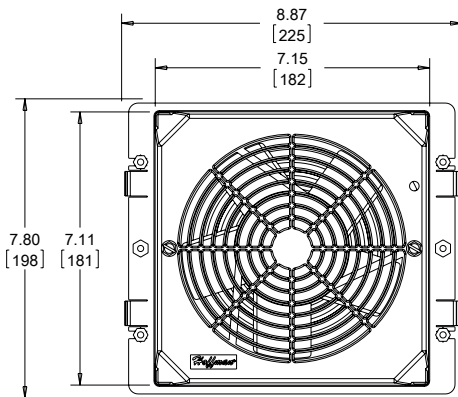
Performance Data TFP6 Models



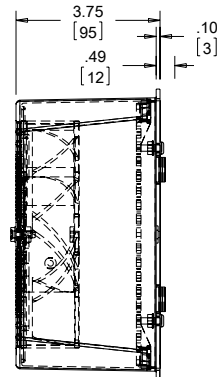
ELECTRICAL DATA			
Rated Voltage	24 VDC	115 VAC	230 VAC
Frequency (Hz)		50/60	
Nominal Current Maximum @ 50/60 Hz (Amps)	.88	.45/.36	.23/.18
Power Consumption Maximum @ 50/60 Hz (Watts)	21.1	36/32	39/35
Power Connection	Stripped Leadwires		
CATALOG NUMBERS			
Composite Type 1			
Catalog Number	TFP624	TFP61	TFP62
Stainless Steel Type 1			
Catalog Number	—	TFP61SS	TFP62SS
Composite Type 12			
Catalog Number	—	TFP61UL12	TFP62UL12
Free Airflow @ 50/60 Hz (CFM)*	140	117/140	117/140
Free Airflow @ 50/60 Hz (m ³ /hr.)*	238	199/238	199/238
UNIT CONSTRUCTION			
Noise SIL @ 50/60 Hz (dBA)	62.5	50/56	50/56
Maximum Operating Temperature (°F/°C)		158/70	
Unit Dimensions - H x W x D (in./mm)	7.80 x 8.87 x 3.75/198 x 225 x 95		
Cutout Dimensions - H x W (in./mm)	7.16 x 7.16/182 x 182		
Weight (lb./kg)	5.3/2.40	5.3/2.40	5.4/2.45
EXHAUST GRILLE CATALOG NUMBERS			
Composite Type 1			
Catalog Number	TEP6		
Stainless Steel Type 1			
Catalog Number	TEP6SS		
Composite Type 12			
Catalog Number	TEP6UL12		

*CFM with single exhaust grille installed.

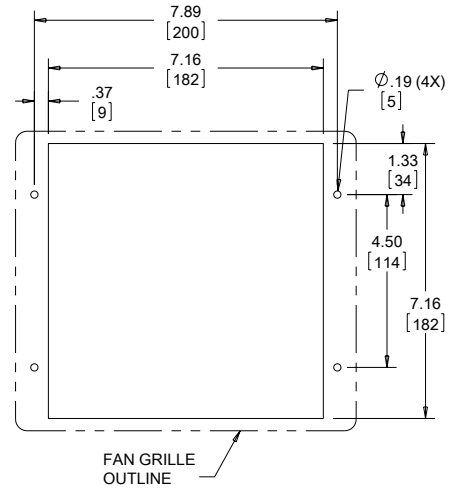
TFP6 Models



BACK VIEW

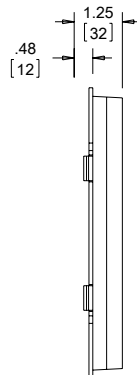
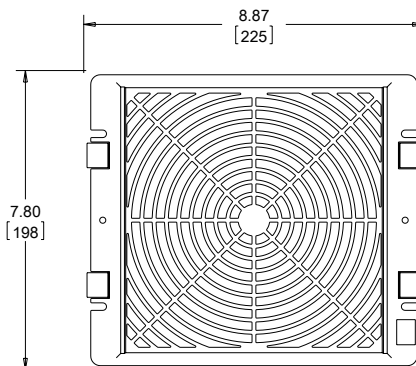


SIDE VIEW



CUTOUT DIMENSIONS

TEP6 EXHAUST GRILLE



Exhaust grille included with fan package

89084710

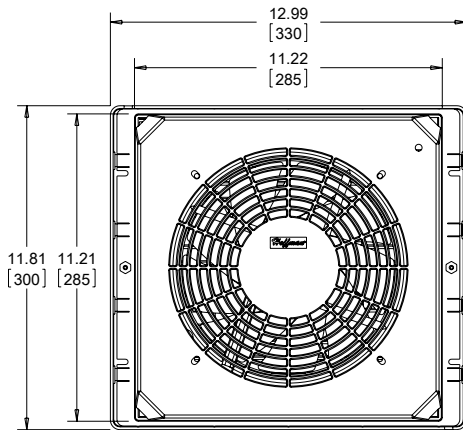


Performance Data **TFP10 Models**

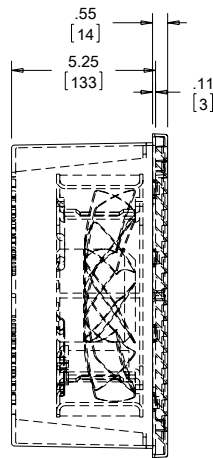
ELECTRICAL DATA			
Rated Voltage	115 VAC		230 VAC
Frequency (Hz)		50/60	
Nominal Current Maximum @ 50/60 Hz(Amps)	.58/.70		.29/.35
Power Consumption Maximum @ 50/60 Hz (Watts)	64/80		64/80
Power Connection	Stripped Leadwires		
CATALOG NUMBERS			
Composite Type 1			
Catalog Number	TFP101		TFP102
Stainless Steel Type 1			
Catalog Number	TFP101SS		TFP102SS
Composite Type 12			
Catalog Number	TFP101UL12		TFP102UL12
Free Airflow @ 50/60 Hz (CFM)*	180/215		180/215
Free Airflow @ 50/60 Hz (m ³ /hr.)*	306/365		306/365
UNIT CONSTRUCTION			
Noise SIL @ 50/60 Hz (dBA)	54/61		54/61
Maximum Operating Temperature (°F/°C)	167/75		167/75
Unit Dimensions - H x W x D (in./mm)	11.81 x 12.99 x 5.25/300 x 330 x 133		
Cutout Dimensions - H x W (in./mm)	11.16 x 11.16/283 x 283		
Weight (lb./kg)	12.0/5.44		11.4/5.17
EXHAUST GRILLE CATALOG NUMBERS			
Composite Type 1			
Catalog Number		TEP10	
Stainless Steel Type 1			
Catalog Number		TEP10SS	
Composite Type 12			
Catalog Number		TEP10UL12	

*CFM with single exhaust grille installed.

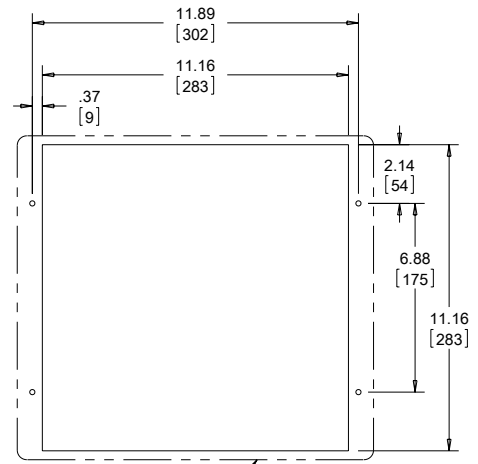
TFP10 Models



BACK VIEW

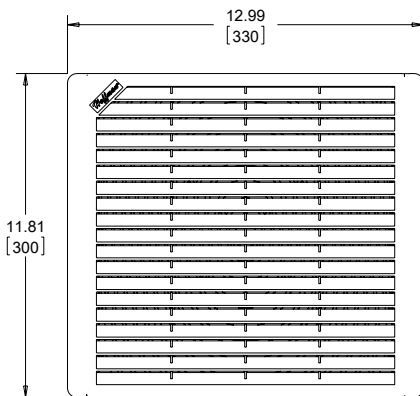


SIDE VIEW



CUTOUT DIMENSIONS

TEP10 EXHAUST GRILLE



Exhaust grille included with fan package

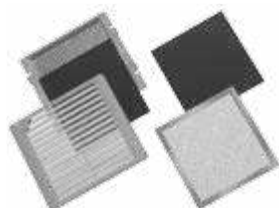


89084711



TFP EXHAUST GRILLES


CATALOG NUMBERS	Nominal Fan Size
TEP4 Models	
TEP4	4
TEP4SS	4
TEP4UL12	4
TEP6 Models	
TEP6	6
TEP6SS	6
TEP6UL12	6
TEP10 Models	
TEP10	10
TEP10SS	10
TEP10UL12	10

TFP OPTIONAL GRILLES AND REPLACEMENT FILTERS


Optional grilles offer the choice of stainless steel or black ABS plastic. These grilles replace the standard RAL 7035 gray composite or stainless steel grilles on both fan and exhaust packages. Standard replacement filters are washable foam (Type 1) or disposable (Type 12). To maintain UL Type 12 rating on the enclosure, UL Type 12 filters must be used on the fan package inlet. Washable aluminum filters are also available. Aluminum filters are compatible with Type 1 systems only. **Type 12 air filters are not washable.**

CATALOG NUMBERS	Description	Fits Fan and Exhaust Nominal Size	Fits Fan and Exhaust Grill Size (in./mm)
4-inch Fan Models			
TG4SS	Brushed stainless steel grille	4	6.29 x 7.31 x .81 160 x 186 x 21
TG4B	Black ABS plastic grille	4	6.29 x 7.37 x .81 160 x 187 x 21
AFLTR4	Type 1 filter replacement (5/package)	4	—
AFLTR4AL	Aluminum filter replacement (5/package)	4	—
TFLT4UL12	Type 12 filter replacement (5/package)	4	—
6-inch Fan Models			
TG6SS	Brushed stainless steel grille	6	7.80 x 8.81 x .75 198 x 224 x 19
TG6B	Black ABS plastic grille	6	7.80 x 8.87 x .49 198 x 225 x 12
AFLTR6	Foam filter replacement (5/package)	6	—
AFLTR6AL	Aluminum filter replacement (5/package)	6	—
TFLT6UL12	UL 12 filter replacement (5/package)	6	—
10-inch Fan Models			
TG10SS	Brushed stainless steel grille	10	11.81 x 12.92 x .75 300 x 328 x 19
TG10B	Black ABS plastic grille	10	11.81 x 12.99 x .75 300 x 330 x 19
AFLTR10	Foam filter replacement (5/package)	10	—
AFLTR10AL	Aluminum filter replacement (5/package)	10	—
TFLT10UL12	UL 12 filter replacement (5/package)a	10	—

Replacement filter for Type 12 fan package only (models TFF_UL12). For Type 12 exhaust package use replacement filter AFLTRX.

Filters fit all fan and exhaust packages according to their size.

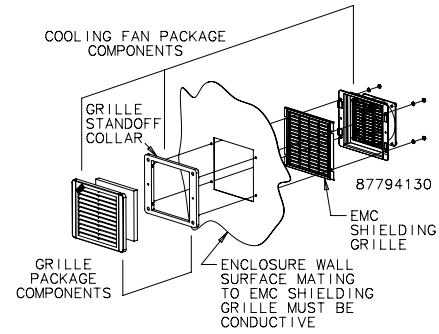


TFP EMC UPGRADE KIT

With the addition of this kit, the cooling fan and exhaust packages are upgraded to provide EMC (electromagnetic compatibility) protection. Consult Hoffman for shielding effectiveness (dB attenuation vs. frequency).

Separate kits must be installed on both the inlet and outlet. Cooling fan and exhaust package must be ordered separately. EMC upgrade kit will not work with stainless steel grille option.

CATALOG NUMBERS	Fits Cooling Fan Package	Fits Exhaust Grille
4-inch Fan Models		
T4EMC	TFP42	TEP4
6-inch Fan Models		
T6EMC	TFP62	TEP6
10-inch Fan Models		
T10EMC	TFP102	TEP10



OUTDOOR FILTER FAN AND EXHAUST PACKAGE



INDUSTRY STANDARDS

cURus Type 12; File No. E234324

NEMA Type 3R
IEC/EN60529, IP55
CE

FEATURES

- Ball bearing axial fan, service life minimum 50,000 hours at 77 F (25 C) and 65 percent RH
- Airflow 11.8 CFM (20 cubic meters/hour) free blowing
- High-impact plastic is highly weatherproof and resistant to UV light
- Removable F5 filter
- Lockable door in hood
- Two-sided tape provided

- Filter hood permanently fixed to enclosure from inside
- 2 lead wires, 3.94-in. (100-mm) long, with pressure clamps, 14 gauge max. (2.5 mm)
- Synthetic filter material, temperature resistant to 212 F (100 C), self-extinguishing class F1, moisture resistant to 100 percent RH
- Filter mat: Fine grade F5 to DIN EN779 filtering degree: 98 percent of particles larger than 10 µm (10 microns)

SPECIFICATIONS

- Aluminum fan body, plastic impeller

FINISH

- Light gray plastic, UL94H-B

NOTES

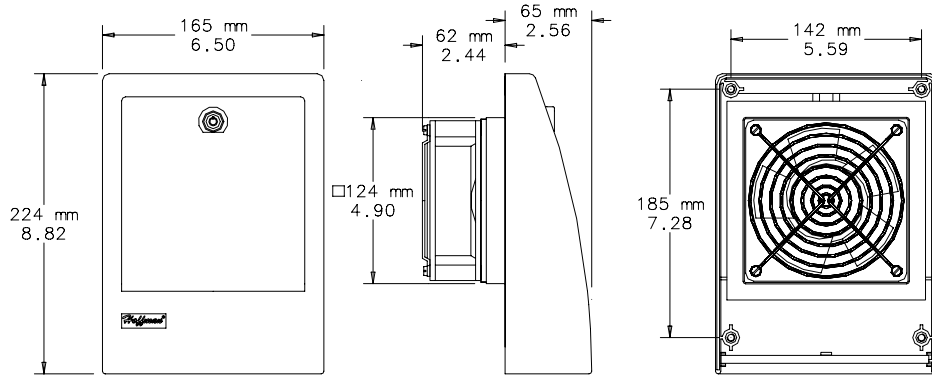
This fan package meets basic requirements for outdoor or indoor applications that require warm air dissipation.

Performance Data **Outdoor Filter Fan**

ELECTRICAL DATA	
Rated Voltage	120 VAC
Frequency (Hz)	60
Full Load (Amps)	0.3
FILTER FAN	
Catalog Number	AOFF118
UNIT CONSTRUCTION	
External Mounting Depth (in./mm)	2.56/65
Internal Mounting Depth (in./mm)	2.44/62
Enclosure Cutout (in./mm)	4.92 x 4.92 / 125 x 125
EXHAUST GRILLE	
Catalog Number	AOEFG118
ACCESSORIES	
Replacement Filters:	
Catalog Number	AOFILTER
Description	Filter Mat, F5 (3 per package)
Filter Size (in./mm)	4.80 x 4.80 / 122 x 122

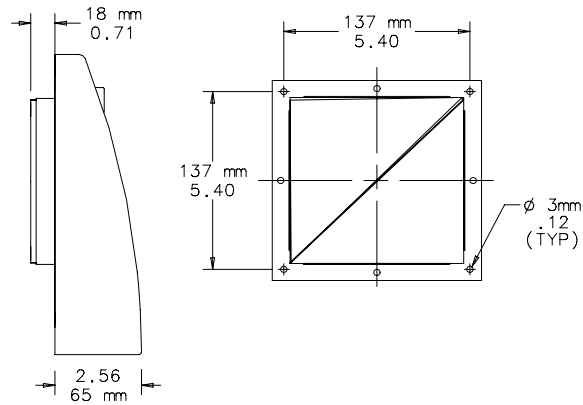


Outdoor Filter Fan and Exhaust Package



87921431

FILTER FAN



EXHAUST
FILTER

MOUNTING
FRAME



COMPACT AXIAL FANS

INDUSTRY STANDARDS

UL Component Recognized

APPLICATION

Compact Cooling Fans are ideal for applications where enclosure space is limited and quiet, reliable cooling is required. Engineered for 50,000 hours of continuous operation without lubrication or service.

Installation

Can be installed on any surface of an enclosure. With the addition of accessory fan brackets, Compact Cooling Fans can also be installed in any position inside the enclosure for spot cooling or air circulation.

FEATURES

- Maximum operating temperature is 158 F (70 C)
- 4-in. fan is thermally protected and uses permanently lubricated ball bearings
- 6- and 10-in. fans have ball-bearing construction and split-capacitor motors
- Split-capacitor motors are thermally protected to avoid premature failure
- Dynamically balanced impellers molded from polycarbonate material
- One finger guard is furnished (additional finger guards are available)
- All mounting hardware is provided
- 240 and 560 CFM fans have ball bearing construction and split capacitor motors
- Fans have leadwires with ends stripped 1/2-in. (12-mm) or 6-ft. (1.8-m) cord with polarized plug for power connections

Fan bracket and additional finger guards must be purchased separately

FINISH

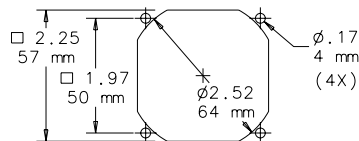
- Fan housing is black.

ACCESSORIES

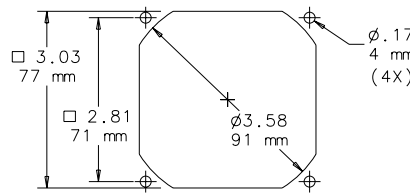
- Fan Cords
- Fan Cords With Inline Thermostat
- Fan Filter and Finger Guard Kit
- Fan Brackets
- Finger Guards

Design Data Compact Axial Fans

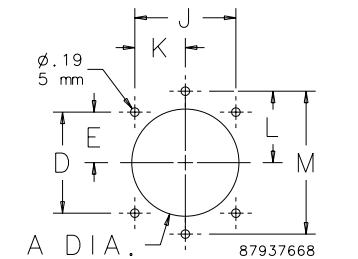
CATALOG NUMBERS	Nominal Size	Voltage	A in./mm	D in./mm	E in./mm	J in./mm	K in./mm	L in./mm	M in./mm
A2AXFN24	2	24 VDC	—	1.97/50	.98/25	1.97/50	.98/25	—	—
3-in. Fans									
A3AXFN	3	115 VAC	—	2.81/71	1.40/36	2.81/71	1.40/36	—	—
A3AXFN24	3	24 VDC	—	2.81/71	1.40/36	2.81/71	1.40/36	—	—
4-in. Fans									
A4AXFNGQ	4	115 VAC	4.62/117	4.12/105	2.06/52	4.12/105	2.06/52	—	—
A4AXFNPG	4	115 VAC	4.62/117	4.12/105	2.06/52	4.12/105	2.06/52	—	—
A4AXFN	4	115 VAC	4.62/117	4.12/105	2.06/52	4.12/105	2.06/52	—	—
A4AXFN2	4	230 VAC	4.62/117	4.12/105	2.06/52	4.12/105	2.06/52	—	—
A4AXFN24	4	24 VDC	4.62/117	4.12/105	2.06/52	4.12/105	2.06/52	—	—
6-in. Fans									
A6AXFNGQ	6	115 VAC	5.88/149	—	—	—	—	3.19/81	6.38/162
A6AXFNPG	6	115 VAC	5.88/149	—	—	—	—	3.19/81	6.38/162
A6AXFN	6	115 VAC	5.88/149	—	—	—	—	3.19/81	6.38/162
A6AXFN2	6	230 VAC	5.88/149	—	—	—	—	3.19/81	6.38/162
A6AXFN24	6	24 VDC	5.88/149	—	—	—	—	3.19/81	6.38/162
10-in. Fans									
A10AXFNPG	10	115 VAC	9.00/229	6.85/174	3.44/87	6.85/174	3.44/87	—	—
A10AXFN	10	115 VAC	9.00/229	6.85/174	3.44/87	6.85/174	3.44/87	—	—
A10AXFN2	10	230 VAC	9.00/229	6.85/174	3.44/87	6.85/174	3.44/87	—	—



MOUNTING CUTOUT DIMENSIONS 2 INCH



MOUNTING CUTOUT DIMENSIONS 3 INCH



MOUNTING CUTOUT DIMENSIONS 4, 6, 10 INCH

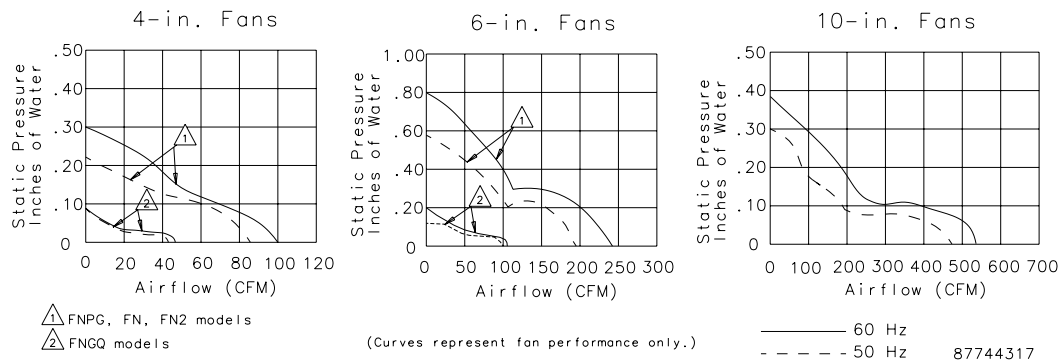


Performance Data **Compact Axial Fans**

ELECTRICAL DATA					
Rated Voltage	24 VDC	115 VAC Lead Wires	115 VAC Power Cord Quiet Fan	115 VAC Power Cord	230 VAC Lead Wires
Frequency (Hz)	50/60	50/60	50/60	50/60	50/60
Power Connection	Lead Wires	Lead Wires	Power Cord	Power Cord	Lead Wires
2 inch Nominal-Size Fans					
Catalog Number	A2AXFN24	—	—	—	—
Nominal Current Maximum @50/60 Hz (Amps)	.09	—	—	—	—
Power Consumption Maximum @ 50/60 Hz (Watts)	2.16	—	—	—	—
Free Airflow @ 50/60 Hz (CFM)*	21.5	—	—	—	—
Free Airflow @ 50/60 Hz (m ³ /hr.)*	36.5	—	—	—	—
Noise SIL @ 50/60 Hz (dBA)	65	—	—	—	—
Maximum RPM @50/60 Hz (RPM)	4550	—	—	—	—
Fan Size Diameter (in.)	2.36	—	—	—	—
Fan Depth (in.)	.98	—	—	—	—
3 inch Nominal-Size Fans					
Catalog Number	A3AXFN24	A3AXFN	—	—	—
Nominal Current Maximum @50/60 Hz (Amps)	.14	.09	—	—	—
Power Consumption Maximum @ 50/60 Hz (Watts)	3.36	7	—	—	—
Free Airflow @ 50/60 Hz (CFM)*	40	27	—	—	—
Free Airflow @ 50/60 Hz (m ³ /hr.)*	68	46	—	—	—
Noise SIL @ 50/60 Hz (dBA)	35	40	—	—	—
Maximum RPM @50/60 Hz (RPM)	3400	2700	—	—	—
Fan Size Diameter (in.)	3.15	3.15	—	—	—
Fan Depth (in.)	.98	1.50	—	—	—
4 inch Nominal-Size Fans					
Catalog Number	A4AXFN24	A4AXFN	A4AXFNGQ	A4AXFNPG	A4AXFN2
Nominal Current Maximum @50/60 Hz (Amps)	.35	.26/.21	.09/.08	.26/.21	.14/.11
Power Consumption Maximum @ 50/60 Hz (Watts)	84	17/15	6/5	17/15	16/14
Free Airflow @ 50/60 Hz (CFM)*	118	85/100	46/49	85/100	85/100
Free Airflow @ 50/60 Hz (m ³ /hr.)*	200	144/170	78/83	144/170	144/170
Noise SIL @ 50/60 Hz (dBA)	46.5	37/41	27/28	37/41	37/41
Maximum RPM @50/60 Hz (RPM)	3200	2415/2900	1350/1450	2415/2900	2415/2900
Fan Size Diameter (in.)	4.69	4.69	4.69	4.69	4.69
Fan Depth (in.)	1.52	1.52	1.52	1.52	1.52
6 inch Nominal-Size Fans					
Catalog Number	A6AXFN24	A6AXFN	A6AXFNGQ	A6AXFNPG	A6AXFN2
Nominal Current Maximum @50/60 Hz (Amps)	.88	.45/.36	.16/.19	.45/.36	.23/.18
Power Consumption Maximum @ 50/60 Hz (Watts)	21.1	36/32	16/18	36/32	39/35
Free Airflow @ 50/60 Hz (CFM)*	280	200/240	85/102	200/240	200/240
Free Airflow @ 50/60 Hz (m ³ /hr.)*	476	340/408	144/173	340/408	340/408
Noise SIL @ 50/60 Hz (dBA)	62.5	50/56	35/38	50/56	50/56
Maximum RPM @50/60 Hz (RPM)	3750	2670/3200	1400/1650	2670/3200	2670/3200
Fan Size Diameter (in.)	6.77	6.77	6.77	6.77	6.77
Fan Depth (in.)	2.00	1.50	1.50	1.50	1.50
10 inch Nominal-Size Fans					
Catalog Number	—	A10AXFN	—	A10AXFNPG	A10AXFN2
Nominal Current Maximum @50/60 Hz (Amps)	—	1.0/.88	—	1.0/.88	.47/.43
Power Consumption Maximum @ 50/60 Hz (Watts)	—	36/36	—	36/36	36/36
Free Airflow @ 50/60 Hz (CFM)*	—	480/560	—	480/560	480/560
Free Airflow @ 50/60 Hz (m ³ /hr.)*	—	816/951	—	816/951	816/951
Noise SIL @ 50/60 Hz (dBA)	—	46/49	—	46/49	46/49
Maximum RPM @50/60 Hz (RPM)	—	1350/1650	—	1350/1650	1350/1650
Fan Size Diameter (in.)	—	10.00	—	10.00	10.00
Fan Depth (in.)	—	3.50	—	3.50	3.50

* CFM without exhaust grille

Performance Curves for Compact Axial Fans



FAN CORDS



Used to power Compact Cooling Fans when positive ground of the cabinet case is required. Available with connectors for one or two fans. Five-foot (1.52-meter) cord with grounded three-prong plug. Fits A4AXFNPG, A6AXFNPG, A10AXFNPG, A4AXFNGQ and A10AXFNGQ.

CATALOG NUMBERS		
	ACORD1	ACORD2
DESIGN DATA		
Description	One connector	Two connectors

FAN CORDS WITH INLINE THERMOSTAT



Use to power 120 VAC Compact Cooling Fans; replaces existing supplied power cord. Fan cord includes inline thermostat. The cord automatically activates up to two fans. Fan(s) will turn on when the inline thermostat reaches 86F (30C). Fan(s) will run only when temperature is above 86F (30C). Use with 110-120 VAC fans with power cords only. One or two fans can be used with power cord.

ELECTRICAL DATA	
Rated Voltage	110-120 VAC
Maximum Current (Amps)	10
Fan Activation Temperature (°F/°C)	86/30
CATALOG NUMBERS	
	ACORD2T

FAN FILTER AND FINGER GUARD KIT



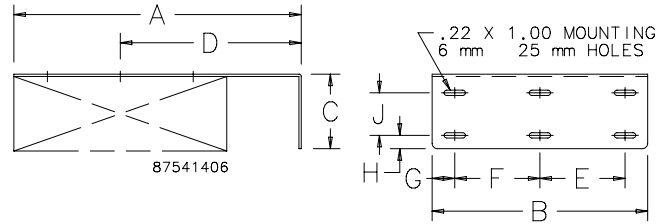
CATALOG NUMBERS		
	AFLTR4LD	AFLTR6LD
DESIGN DATA		
Description	Fan Filter and Finger Guard Kit	
Fits	4-in. fans	6-in. fans



FAN BRACKETS

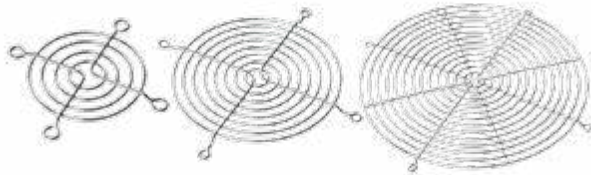


Designed to provide easy mounting of compact axial fans on enclosure panels. Brackets can be used for general air circulation or to direct air at problem areas. All sizes are .100-in. aluminum. Package quantity of 1 bracket. Fans must be ordered separately.



CATALOG NUMBERS	AxBxC in./mm	Used with Fan Catalog Number	D in./mm	E in./mm	F in./mm	G in./mm	H in./mm	J in./mm
ABRKT2	3.75x2.75x1.50 95x70x38	A2AXFN24	2.38/60	—	1.75/44	.50/13	.37/9	.62/16
ABRKT3	4.50x3.50x1.50 114x89x38	A3AXFN, A3AXFN24	2.75/70	—	2.50/64	.50/13	.37/9	.62/16
ABRKT4	6.00x5.00x1.50 152x127x38	A4AXFNPG, A4AXFNGQ, A4AXFN or A4AXFN2	3.50/89	—	3.00/76	1.00/25	.38/10	.62/16
ABRKT6	10.00x6.88x2.00 254x175x51	A6AXFNPG, A6AXFNGQ, A6AXFN or A6AXFN2	6.50/51	—	5.00/127	.94/24	.38/10	1.00/25
ABRKT10	13.50x10.12x3.50 343x257x89	A10AXFNPG, A10AXFNGQ, A10AXFN or A10AXFN2	8.50/216	4.00/102	4.00/102	1.06/27	.62/16	2.00/51

FINGER GUARDS



either side of the fan for maximum safety. All guards are chrome-plated and meet UL 507 .25-in. plug gauge test.

CATALOG NUMBERS	Use on Compact Axial Fan Catalog Numbers
AGARD2	A2AXFN24
AGARD3	A3AXFN, A3AXFN24
AGARD4	A4AXFNPG, A4AXFNGQ, A4AXFN, A4AXFN2
AGARD6	A6AXFNPG, A6AXFNGQ, A6AXFN, A6AXFN2
AGARD10	A10AXFNPG, A10AXFNQR, A10AXFN, A10AXFN2

One finger guard is included with each Compact Axial Fan and Cooling Fan Package. Additional Finger Guards can be mounted on



RACK-MOUNTABLE ASSEMBLIES



2EB17H



UEB17H



3EB17H

INDUSTRY STANDARDS

UL recognized

- CSA Certified Motors
- CE

APPLICATION

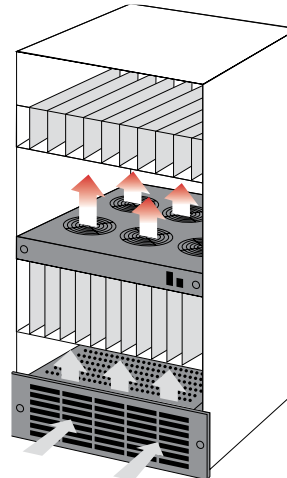
Fan trays are a versatile solution to cooling card cages and racks. Redundant cooling with optional failure detection makes this air mover the obvious choice for sensitive equipment. Minimal rack space and repositionable fans are suited to today's smaller enclosures.

FEATURES

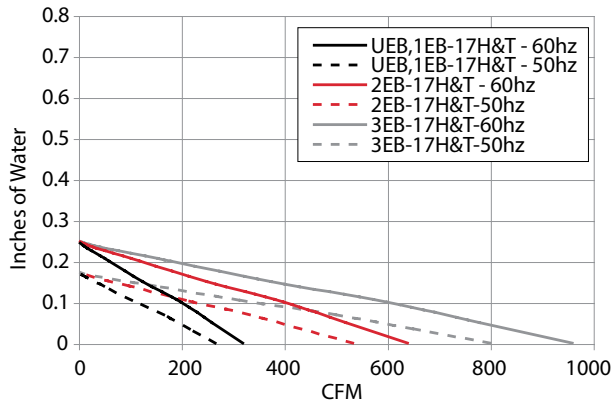
- Slim 1.75 in. (44 mm) Panel Height
- 19-in. rack mountable
- Field adjustable fan strips to optimize air flow
- Easy access to fan tray from front and back
- Simplified installation without the need for side access
- Support bracket
- Exhaust Guard
- 6-inch Power Cord AC trays, Terminal block on DC trays
- Permanently lubricated ball bearing motors
- 100% functionally tested

SPECIFICATIONS

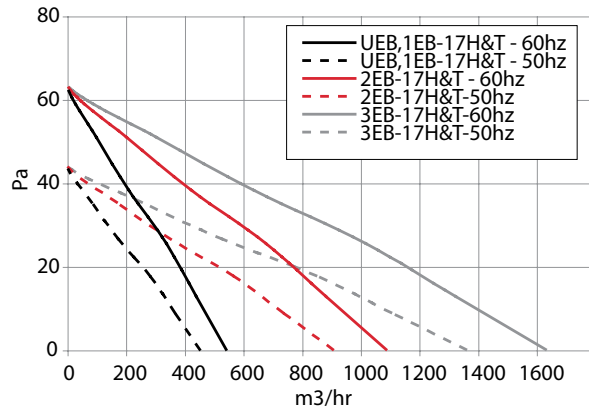
- 115/230 VAC
- 24 VDC
- 50/60 Hz

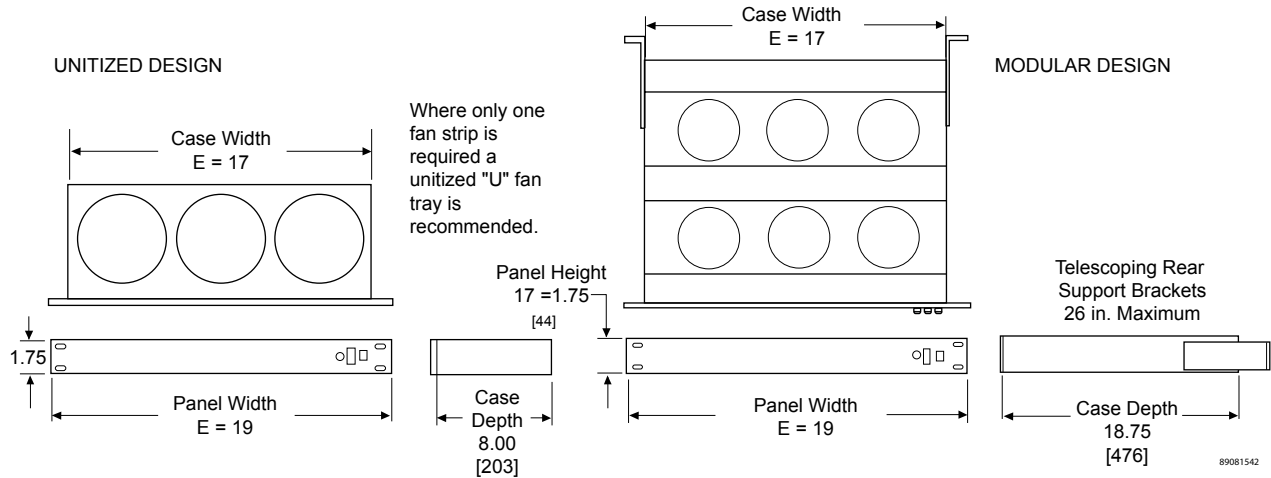


Performance Curves (Inches of Water to CFM)



Performance Curves (Pa to m3/hr)





89081542

Performance Data **Rack-Mountable Assemblies**

ELECTRICAL DATA			
Rated Voltage	115 VAC	230 VAC	24 VDC
Frequency (Hz)	50/60	50/60	DC
RPM	3100	3100	3000
Nominal Current Maximum (Amps)	0.4	0.2	0.8
Power Consumption Maximum (Watts)	42	42	21
Maximum Operating Temperature (°F/°C)		158/70	
UEB17H			
Catalog Numbers	UEB17H115	UEB17H230	UEB17H24
Nominal Current Maximum @50/60 Hz (Amps)	.4	.2	.8
Power Consumption Maximum @ 50/60 Hz (Watts)	42	42	21
Free Airflow @ 50/60 Hz (CFM)*	315	315	330
Free Airflow @ 50/60 Hz (m ³ /hr.)*	536	536	561
Number of Fans		3	
Unit Dimensions H x W x D (In./mm)		1.75 x 19.00 x 8.00/44 x 482 x 203	
Weight (lb./kg)	7.8/3.4	7.8/3.4	7.6/3.3
2EB17H			
Catalog Numbers	2EB17H115	2EB17H230	—
Nominal Current Maximum @50/60 Hz (Amps)	.9	.5	—
Power Consumption Maximum @ 50/60 Hz (Watts)	84	84	—
Free Airflow @ 50/60 Hz (CFM)*	630	630	—
Free Airflow @ 50/60 Hz (m ³ /hr.)*	1071	1071	—
Number of Fans		6	—
Unit Dimensions H x W x D (In./mm)		1.75 x 19.00 x 18.75/44 x 482 x 476	—
Weight (lb./kg)	10.2/4.5	10.2/4.5	—
3EB17H			
Catalog Numbers	3EB17H115	3EB17H230	—
Nominal Current Maximum @50/60 Hz (Amps)	1.4	.8	—
Power Consumption Maximum @ 50/60 Hz (Watts)	126	126	—
Free Airflow @ 50/60 Hz (CFM)*	945	945	—
Free Airflow @ 50/60 Hz (m ³ /hr.)*	1607	1607	—
Number of Fans		9	—
Unit Dimensions H x W x D (In./mm)		1.75 x 19.00 x 18.75/44 x 482 x 476	—
Weight (lb./kg)	12.5/5.5	12.5/5.5	—



19-IN. RACK-MOUNTABLE TRAY



APPLICATION

Fan trays enhance the natural convection airflow within a cabinet when installed with other 19-in. rack-mount equipment.

FEATURES

- Fan trays available with either three or six 4-in. fans
- Includes 72-in. (1829-mm) power cord with IEC 320 standard power socket
- Power cord plugs into standard 115 VAC outlet
- Lighted rocker switch provides on-off control and indicates when fans are on

FINISH

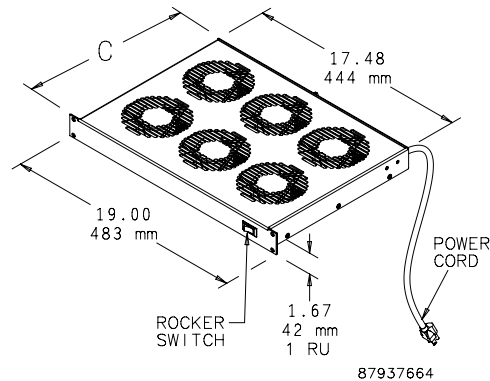
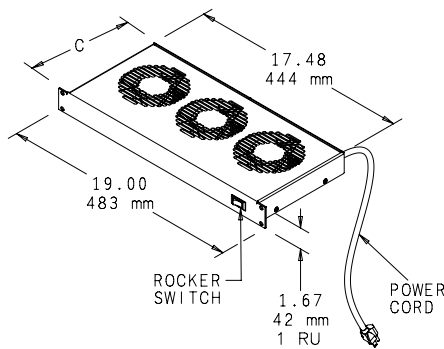
- RAL 9005 black, lightly textured polyester powder paint

ACCESSORIES

Rack-Mount Fan Speed Control

Performance Data 19-in. Rack-Mountable Tray

ELECTRICAL DATA		
Rated Voltage	115	115
Frequency (Hz)	60	60
Power Consumption (Watts)	45	90
CATALOG NUMBERS		
	A19FT3B	A19FT6B
Maximum Airflow (CFM)	253	506
Maximum Airflow (m ³ /hr.)	430	860
Nominal Airflow Capacity (CFM)	102	102
Nominal Airflow Capacity (m ³ /hr.)	173	173
UNIT CONSTRUCTION		
Sound Pressure (dBA)	41	41
Maximum Operating Temperature Range (°F/°C)	158/70	158/70
Maximum Static Pressure (in. WC)	0.27	0.27
Number of Fans	3	6
C (in./mm)	8.10/206	12.96/329



RACK-MOUNT FAN SPEED CONTROL



APPLICATION

Perfect for offices, classrooms and other noise-sensitive areas. Fan Speed Control optimizes airflow in a cabinet or rack, balancing air volume requirements with noise level and power use.



FEATURES

- Continuously variable fan speed control knob with minimum speed adjustment
- Uses 1 RU rack space
- Steel construction
- Two NEMA 5-15R outlets provide power to fan
- Six-foot (1.83-m) power cord plugs into standard 120 V 60 Hz outlet

INDUSTRY STANDARDS

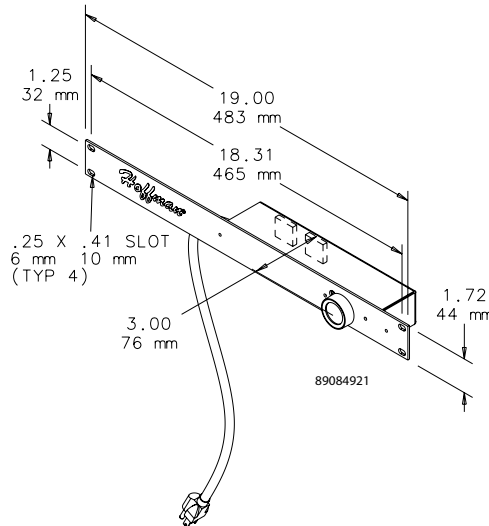
UL 508 Listed; File No. E249700
 cUL Listed per CSA C22.2 No. 14; File No. E249700

FINISH

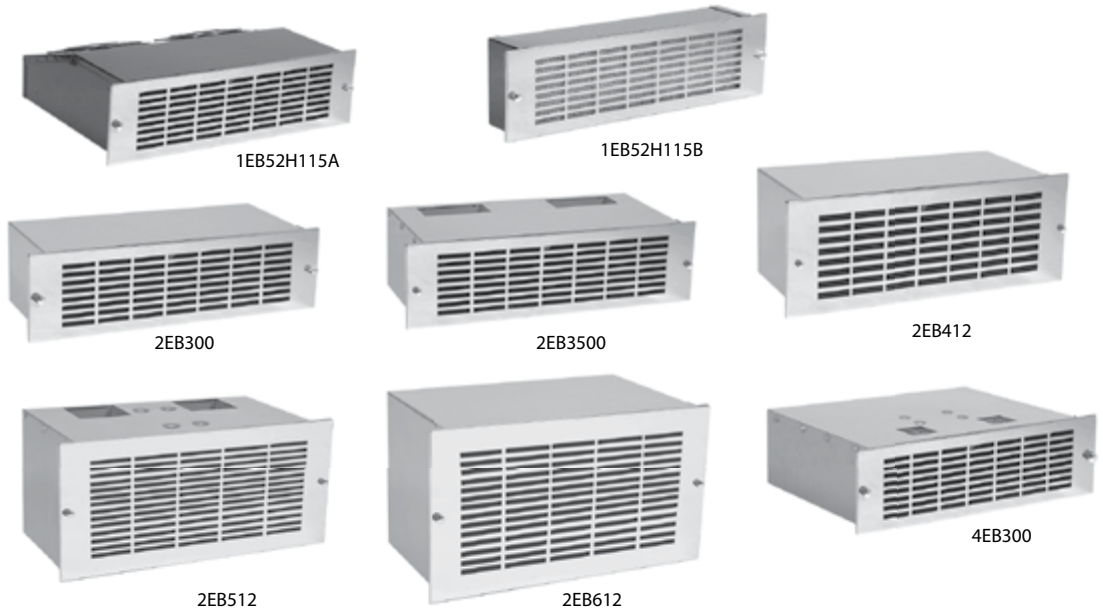
- A19FANSC: RAL 9005 black polyester powder paint

Performance Data Rack-Mount Fan Speed Controls

CATALOG NUMBERS	
	A19FANSC
ELECTRICAL DATA	
Rated Voltage	120 VAC
Maximum Nominal Current (Amps)	4
Temperature Settings (°F)	86, 95, 104, 113
Temperature Settings (°C)	30, 35, 40, 45
DESIGN DATA	
Description	19-in. Rack-Mount Fan Speed Control
Application	Fan speed adjusted manually



RACK-MOUNTABLE BLOWERS



INDUSTRY STANDARDS

UL recognized

CSA Certified Motors
CE

APPLICATION

Fanpack packaged blowers are filtered inlet redundant fan packages. The compact size of the "B" models result in minimal intrusion into the enclosure.

Standard packaged blowers offer reliable rack cooling in a variety of case styles. Two exhaust styles are available with air flowing out the rear or out the top. Specify exhaust style (R or T) when ordering.

Multi-exhaust packaged blowers feature top and rear exhausts, for a wide, deep airflow pattern. Designed with two separate blowers inside, multi-exhaust blowers also offer redundancy and increased airflow.

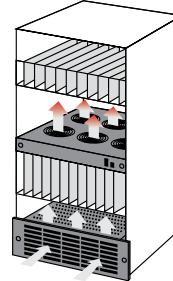
FEATURES

- Permanent, Washable Aluminum Filter
- 19-in. Rack Mountable
- Brushed Aluminum Grille
- Exhaust Guard
- Power Cord
- Permanently lubricated ball bearing motors
- 100% functionally tested

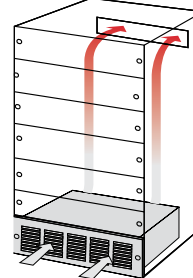
SPECIFICATIONS

- 115/230 VAC
- 50/60 Hz

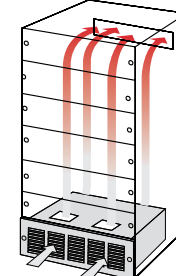
1EB Models



2EB Models



4EB Models

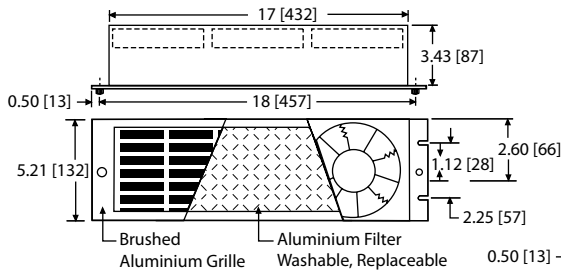




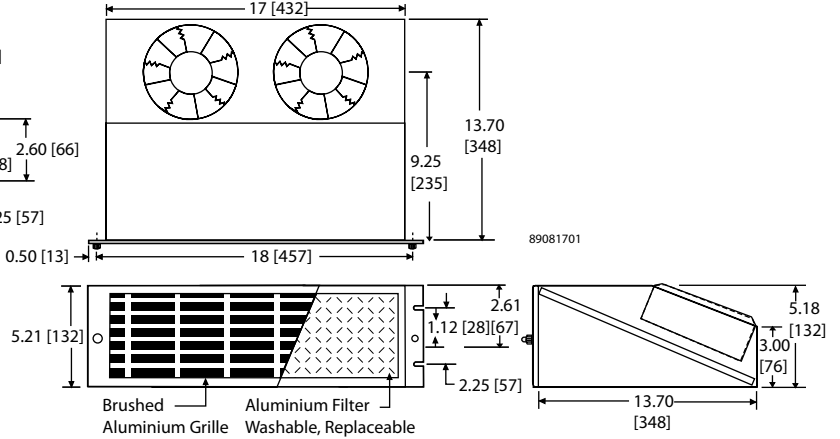
Performance Data **1EB Models**

ELECTRICAL DATA		
Rated Voltage	115	230
Frequency (Hz)	50/60	50/60
Maximum Operating Temperatur (°F/°C)	140/60	140/60
"A" Models		
Catalog Numbers	1EB52H115A	1EB52H230A
Free Airflow (CFM/M ³ /hr.)	320/544	320/544
RPM	3300	3300
Nominal Run Current Maximum (Amps)	.52	.26
Nominal Start Current Maximum (Amps)	1.00	.50
Power Consumption (Watts)	62	62
Weight (lb./kg)	14/6.3	14/6.3
"B" Models		
Catalog Numbers	1EB52H115B	1EB52H230B
Free Airflow (CFM/M ³ /hr.)	235/400	235/400
RPM	3100	3100
Nominal Run Current Maximum (Amps)	.55	.31
Nominal Start Current Maximum (Amps)	.80	.40
Power Consumption (Watts)	44	44
Weight (lb./kg)	8/3.6	8/3.6

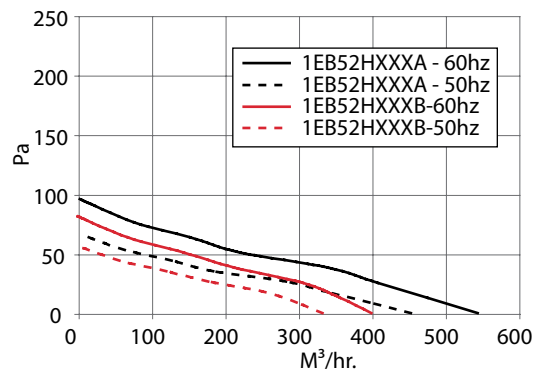
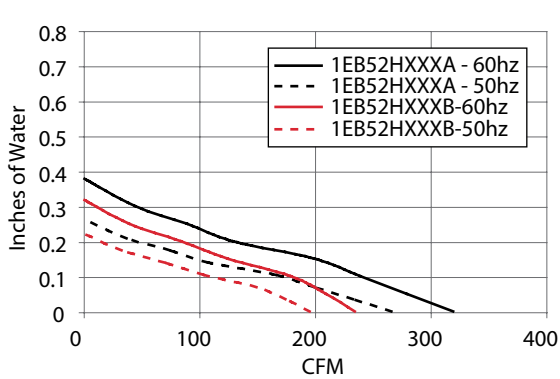
1EB52HxxxB Models



1EB52HxxxA Models



1EB Models

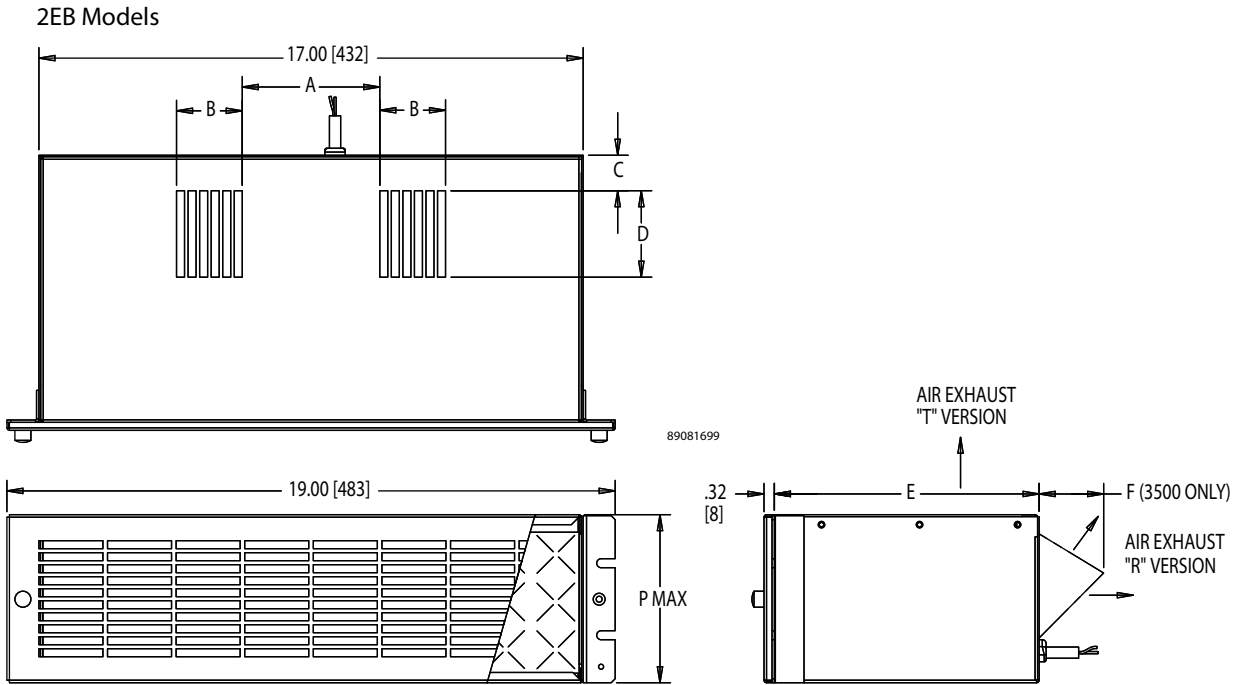


Performance Data **2EB Models**

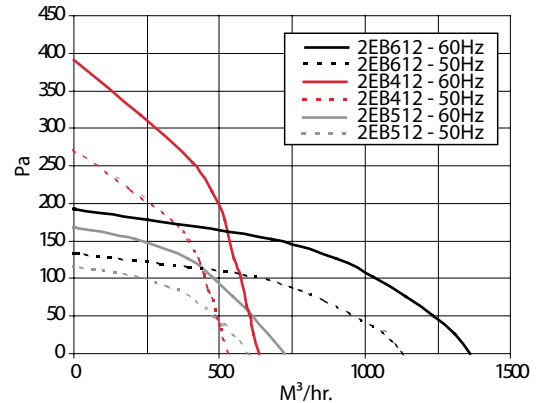
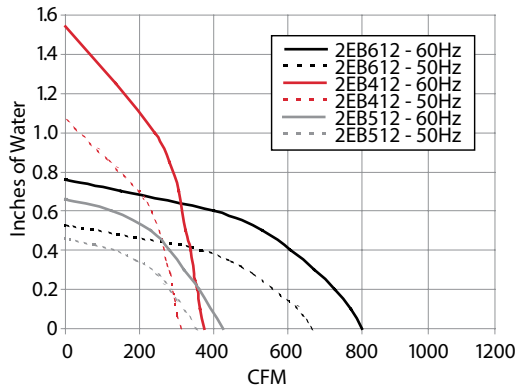
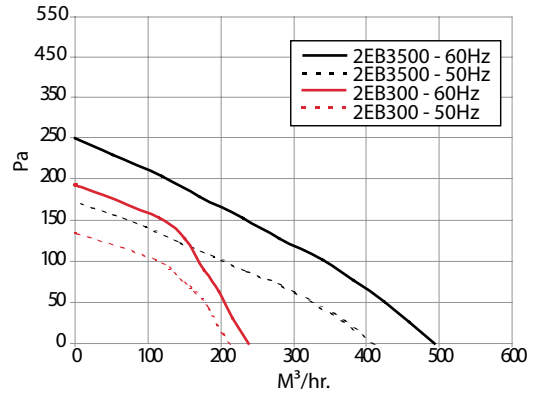
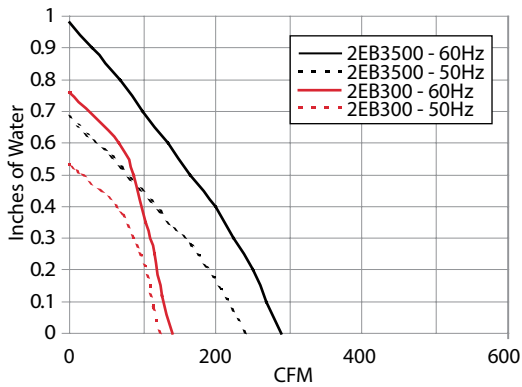

ELECTRICAL DATA		
Rated Voltage	115	230
Frequency (Hz)	50/60	50/60
Maximum Operating Temperature (°F/°C)	104/40	104/40
2EB300R Models		
Catalog Numbers	2EB300R115	2EB300R230
Free Airflow (CFM/M ³ /hr.)	125/212	125/212
RPM	3000	3000
Nominal Run Current Maximum (Amps)	.9	.5
Power Consumption (Watts)	70	70
Weight (lb./kg)	16/17.3	16/17.3
2EB3500R Models		
Catalog Numbers	2EB3500R115	2EB3500R230
Free Airflow (CFM/M ³ /hr.)	290/493	290/493
RPM	3050	3050
Nominal Run Current Maximum (Amps)	1.8	.9
Power Consumption (Watts)	125	125
Weight (lb./kg)	17/7.7	17/7.7
2EB412R Models		
Catalog Numbers	2EB412R115	2EB412R230
Free Airflow (CFM/M ³ /hr.)	375/637	375/637
RPM	3100	3100
Nominal Run Current Maximum (Amps)	1.8	.8
Power Consumption (Watts)	200	200
Weight (lb./kg)	22/10	22/10
2EB512R Models		
Catalog Numbers	2EB512R115	
Free Airflow (CFM/M ³ /hr.)	425/722	
RPM	1700	
Nominal Run Current Maximum (Amps)	1.3	
Power Consumption (Watts)	140	
Weight (lb./kg)	25/11.3	
2EB512T Models		
Catalog Numbers	2EB512T115	
Free Airflow (CFM/M ³ /hr.)	425/722	
RPM	1700	
Nominal Run Current Maximum (Amps)	1.3	
Power Consumption (Watts)	140	
Weight (lb./kg)	25/11.3	
2EB612R Models		
Catalog Numbers	2EB612R115	2EB612R230
Free Airflow (CFM/M ³ /hr.)	800/1359	800/1359
RPM	1650	1650
Nominal Run Current Maximum (Amps)	2.2	1.0
Power Consumption (Watts)	220	220
Weight (lb./kg)	41/18.6	41/18.6

 Design Data **2EB Models**

CATALOG NUMBERS	PMax in./mm	A in./mm	B in./mm	C in./mm	D in./mm	E in./mm	F in./mm
2EB300R115	5.25/133	4.30/109	2.05/52	—	—	8.22/209	—
2EB3500R115	5.25/133	4.38/111	4.56/116	—	—	7.17/182	1.75/44
2EB412R115	7.00/178	4.23/107	3.15/80	—	—	8.22/209	—
2EB512R115	8.75/222	4.13/105	3.63/92	—	—	8.22/209	—
2EB512T115	8.75/222	4.13/105	3.63/92	.80/20	3.40/86	9.61/244	—
2EB612R115	10.50/267	4.38/111	3.99/101	—	—	10.22/620	—



2EB Models



Performance Data **4EB Models**

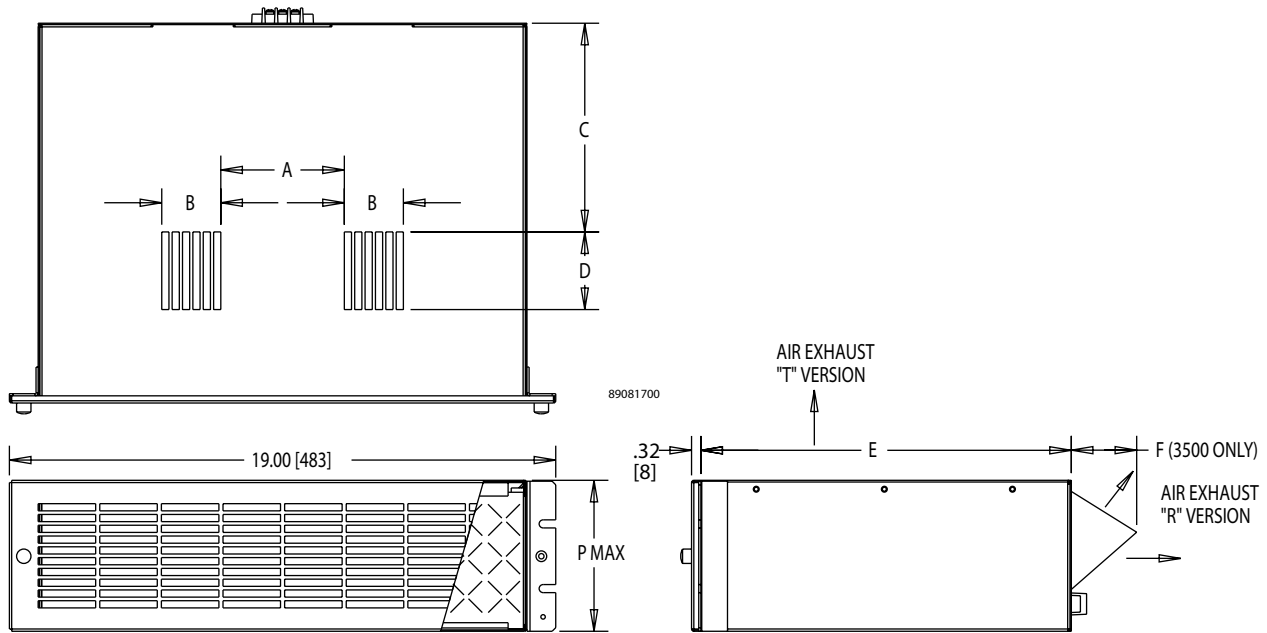


ELECTRICAL DATA	
Rated Voltage	115
Frequency (Hz)	50/60
Maximum Operating Temperature (°F/°C)	104/40
4EB300RT Models	
Catalog Number	4EB300RT115
Free Airflow (CFM/M ³ /hr.)	180/306
RPM	2900
Nominal Run Current Maximum (Amps)	2.0
Power Consumption (Watts)	130
Weight (lb./kg)	21/9.5

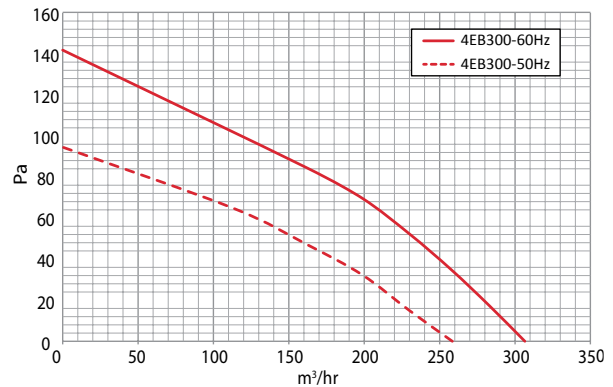
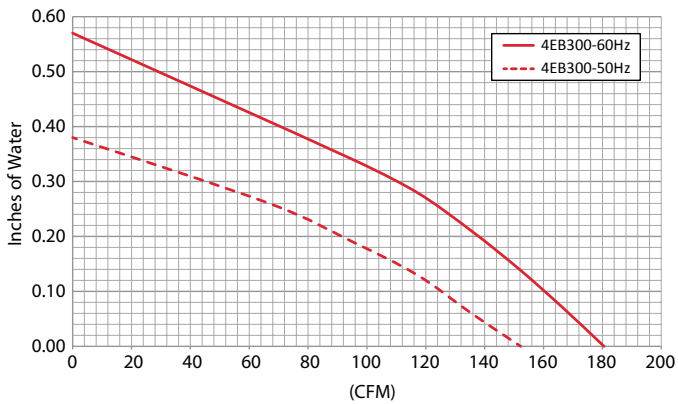
Design Data **4EB Models**

CATALOG NUMBERS	PMax in./mm	A in./mm	B in./mm	C in./mm	D in./mm	E in./mm	F in./mm
4EB300RT115	5.25/133	4.30/109	2.05/52	7.25/184	2.70/69	12.88/327	—

4EB Models



4EB Models



Notes



RACK-MOUNTABLE FAN PACKAGE



INDUSTRY STANDARDS

UL Component Recognized; File No. E61997

EIA RS-310-D
 CSA certified
 (blower motor only)

APPLICATION

For enclosure or 19-in. rack applications, the Blower Fan Package provides the maximum amount of cooling air in the least amount of space by utilizing 115 volt AC, 60/50 hertz, single-phase input power. Engineered for 20,000 hours of continuous operation when properly powered.

FEATURES

- Intake grille is easily removed with two captive thumbnuts
- Washable aluminum filter
- Single phase motor powers the statically balanced blower
- Motor is thermally protected and cooled by incoming forced air

- Direct drive induction motor contains permanently lubricated ball bearings
- Lubricant protects from -20 F to 298 F (-29 C to 148 C)
- Rotating components are suspended on neoprene shock-mounts
- Three-conductor power cord (five feet long)
- The unit is self-supporting with 16 gauge steel flanges notched per EIA RS-310-D.
- An exhaust grille and filter package (catalog number AEXGR275) is required and must be ordered separately

SPECIFICATIONS

- 16 gauge steel housing

FINISH

- Blower housing is black enamel.
- Grille is brushed stainless steel.

ACCESSORIES

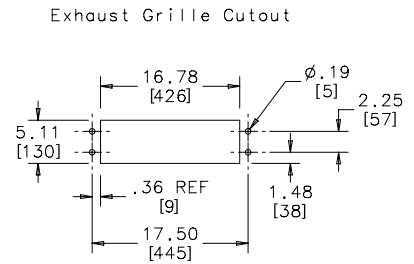
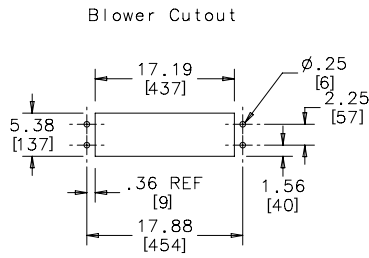
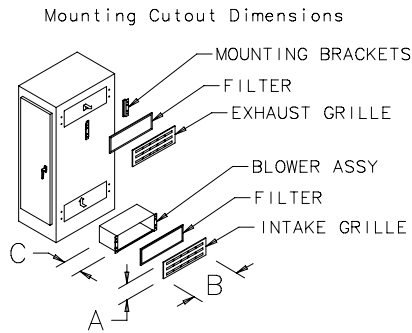
Exhaust Grilles and Replacement Filters
 Rack-Mount Fan Speed Control
 Filter Adhesive

Performance Data **Rack-Mountable Fan Package**

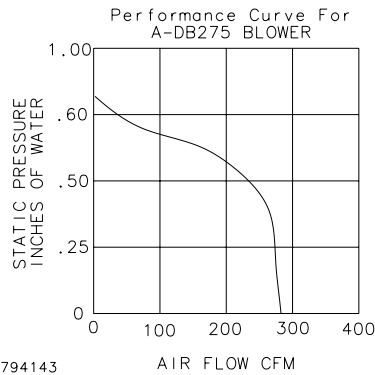
CATALOG NUMBERS	
	ADB275
ELECTRICAL DATA	
Rated Voltage	115
Frequency	50/60
Free Airflow (CFM)	230/275
RPM	2580/3100
Nominal Current Maximum (Amps)	1.2
Power Consumption (Watts)	84
SOUND LEVEL	
Sound Pressure (dBA)	56
UNIT CONSTRUCTION	
Weight (lb./kg)	15/7
EXHAUST GRILLE CATALOG NUMBERS	
Catalog Number	AEXGR275



Rack-Mountable Fan Package

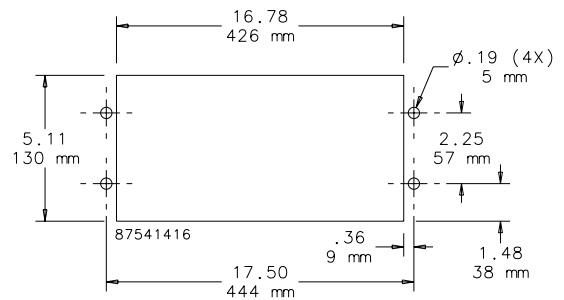


87541398



87794143

EXHAUST GRILLES AND REPLACEMENT FILTERS



CUTOUT DIMENSIONS

Performance Data Exhaust Grilles and Replacement Filters for Rack-Mountable Fan Package

CATALOG NUMBERS	
	AEXGR275
UNIT CONSTRUCTION	
Dimensions H x W (in./mm)	5.75/146 x 19.00/483
Filter Size (in./mm)	4.98/126 x 16.56/421
ACCESSORIES	
Replacement Filters:	
Catalog Number	AFLTR275AL
Description	Aluminum Filter Replacement (5 per package)





INDUSTRY STANDARDS

- UL Recognized Motor
- CSA Certified Motor

APPLICATION

Thermal filter boxes are high volume air movers that require minimal enclosure space. Repositionable mounting ears allow the fans to be mounted internally or externally, and used for either intake or exhaust.

FEATURES

- Inlet Guard
- Outlet Guard
- Power Cord
- 5-15 plug available on catalog numbers ending with "M" only
- Permanently lubricated ball bearing motors
- 100% functionally tested

SPECIFICATIONS

- 115 VAC
- 50/60Hz

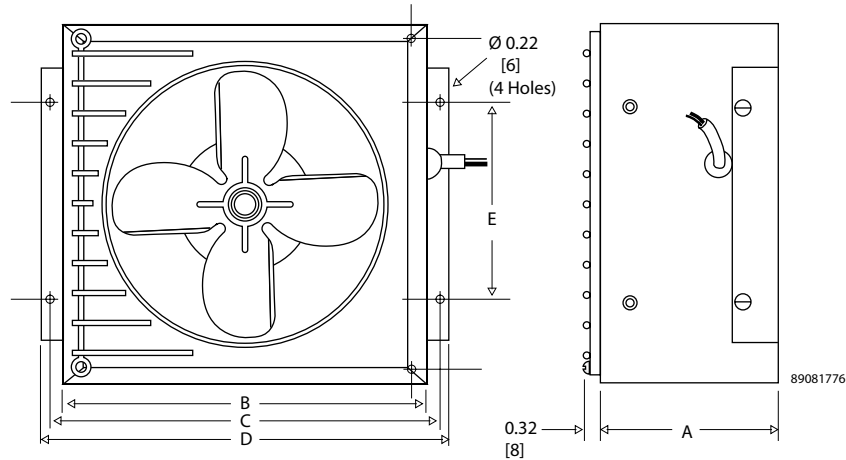
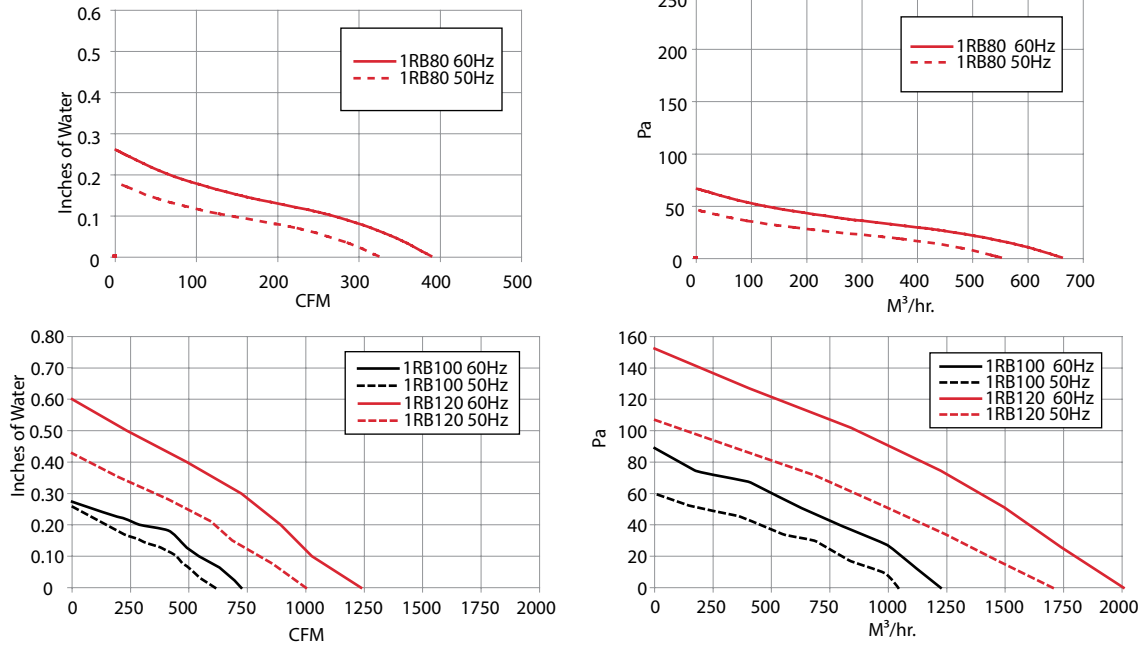
Performance Data **Filter Box Fans**

ELECTRICAL DATA		
Rated Voltage	115	115
Frequency (Hz)	50/60	50/60
Maximum Operating Temperature (°F/°C)	104/40	104/40
1RB80 Models		
Catalog Numbers	1RB80	1RB80M
Free Airflow (CFM/M ³ /hr.)	390/699	390/699
RPM	1600	1600
Nominal Run Current Maximum (Amps)	1.1	1.1
Nominal Start Current Maximum (Amps)	1.5	1.5
Power Consumption (Watts)	80	80
Filter	N/A	Aluminum
Weight (lb./kg)	10/4.5	10/4.5
1RB100 Models		
Catalog Numbers	1RB100	1RB100M
Free Airflow (CFM/M ³ /hr.)	675/1147	675/1147
RPM	1600	1600
Nominal Run Current Maximum (Amps)	1.2	1.2
Nominal Start Current Maximum (Amps)	1.5	1.5
Power Consumption (Watts)	90	90
Filter	N/A	Aluminum
Weight (lb./kg)	12/5.4	12/5.4
1RB120 Models		
Catalog Numbers	1RB120	1RB120M
Free Airflow (CFM/M ³ /hr.)	1200/2151	1200/2151
RPM	1500	1500
Nominal Run Current Maximum (Amps)	1.5	1.5
Nominal Start Current Maximum (Amps)	2.5	2.5
Power Consumption (Watts)	160	160
Filter	N/A	Aluminum
Weight (lb./kg)	24/10.8	24/10.8





Performance Curves Filter Box



Design Data Filter Box

CATALOG NUMBERS	A in./mm	B in./mm	C in./mm	D in./mm	E in./mm
1RB80	4.50/114	8.88/226	9.56/243	10.13/257	4.88/124
1RB80M	4.50/114	8.88/226	9.56/243	10.13/257	4.88/124
1RB100	4.50/114	12.13/308	12.81/325	13.38/340	6.13/156
1RB100M	4.50/114	12.13/308	12.81/325	13.38/340	6.13/156
1RB120	7.38/187	15.13/384	15.81/402	16.38/416	9.00/229
1RB120M	7.38/187	15.13/384	15.81/402	16.38/416	9.00/229

CENTRIFUGAL BLOWERS

INDUSTRY STANDARDS

UL Recognized

CSA Certified Motors

APPLICATION

Single Centrifugal Blowers are compact for the maximum in spot cooling applications. Single centrifugal blowers can be mounted in any position for effective air movement.

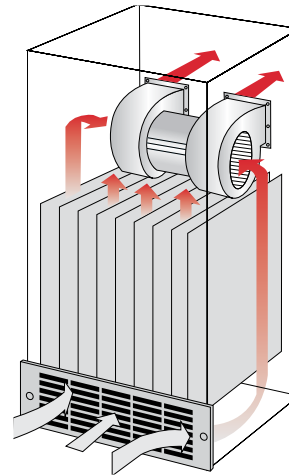
Dual Centrifugal Blowers are designed for applications where space limitations are a problem. Mountable in any position, these blowers provide dual blasts from separate housings mounted on a reliable motor.

FEATURES

- 100% Functionally Tested

SPECIFICATIONS

- 115/230 VAC
- 50/60 Hz


Performance Data 1NB Models

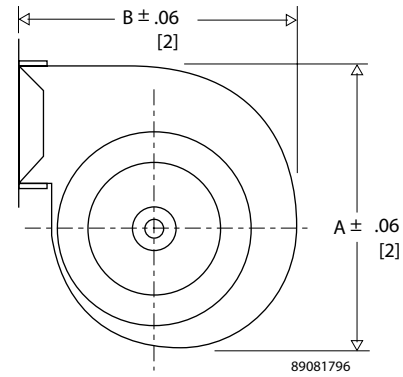
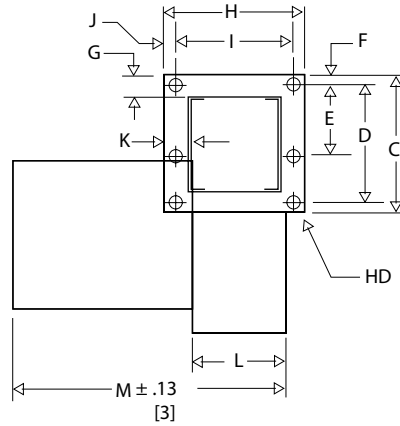
ELECTRICAL DATA		
Rated Voltage	115	230
Frequency (Hz)	50/60	50/60
Maximum Operating Temperature (°F/°C)	104/40	104/40
1NB412 Models		
Catalog Numbers	1NB412115	1NB412230
Free Airflow (CFM/M ³ /hr.)	200/340	200/340
RPM	3100	3100
Nominal Run Current Maximum (Amps)	1.2	0.6
Nominal Start Current Maximum (Amps)	2.1	1.5
Power Consumption (Watts)	120	120
Weight (lb./kg)	6/2.7	6/2.7

Design Data 1NB Models

CATALOG NUMBERS	A	B	C	D	F	G	H	I	J	K	L	M	HD
	in./mm	in./mm	in./mm	in./mm	in./mm	in./mm	in./mm	in./mm	in./mm	in./mm	in./mm	in./mm	in./mm
1NB412115	6.81/173	6.14/156	3.84/96	3.29/84	0.31/8	0.62/16	4.66/118	4.03/102	0.31/8	0.72/18	3.22/82	7.47/190	0.28/7
1NB412230	6.81/173	6.14/156	3.84/96	3.29/84	0.31/8	0.62/16	4.66/118	4.03/102	0.31/8	0.72/18	3.22/82	7.47/190	0.28/7

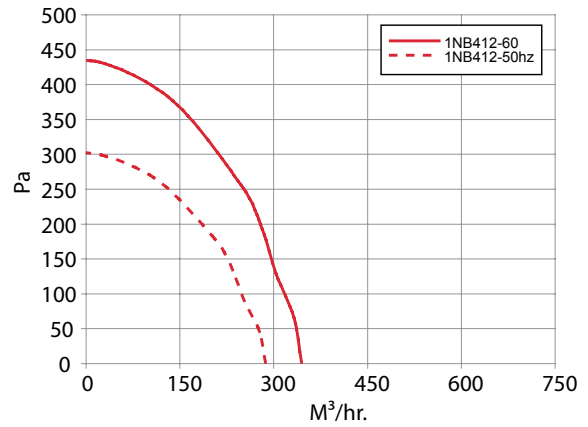
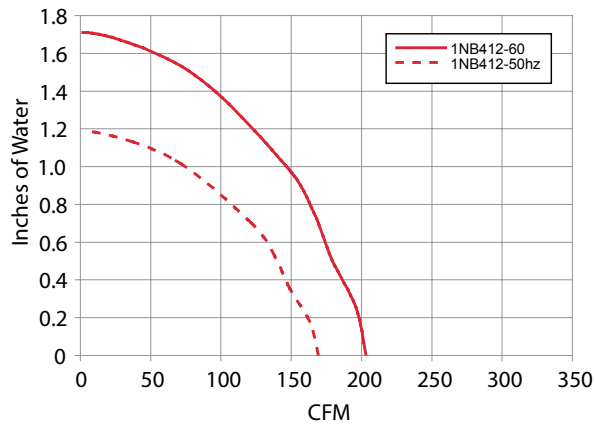


1NB Models



89081796

Performance Curves 1NB Models




 Performance Data **2NB Models**

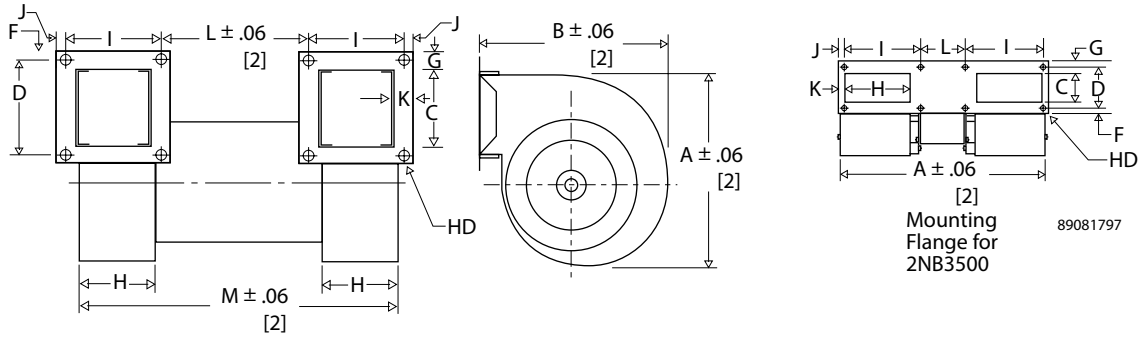
ELECTRICAL DATA		
Rated Voltage	115	230
Frequency (Hz)	50/60	50/60
Maximum Operating Temperature (°F/°C)	104/40	104/40
2NB300 Models		
Catalog Numbers	2NB300115	2NB300230
Free Airflow (CFM/M ³ /hr.)	130/221	130/221
RPM	2900	2900
Nominal Run Current Maximum (Amps)	0.9	0.5
Nominal Start Current Maximum (Amps)	1.2	0.6
Power Consumption (Watts)	70	70
Weight (lb./kg)	6/2.7	6/2.7
2NB3500 Models		
Catalog Numbers	2NB3500115	2NB3500230
Free Airflow (CFM/M ³ /hr.)	300/510	300/510
RPM	3050	3050
Nominal Run Current Maximum (Amps)	1.8	0.9
Nominal Start Current Maximum (Amps)	2.5	1.3
Power Consumption (Watts)	125	125
Weight (lb./kg)	8/3.6	8/3.6
2NB412 Models		
Catalog Numbers	2NB412115	2NB412230
Free Airflow (CFM/M ³ /hr.)	360/612	360/612
RPM	3000	3000
Nominal Run Current Maximum (Amps)	1.6	0.8
Nominal Start Current Maximum (Amps)	4	2
Power Consumption (Watts)	225	225
Weight (lb./kg)	9/4.1	9/4.1
2NB424 Models		
Catalog Numbers	2NB424115	2NB424230
Free Airflow (CFM/M ³ /hr.)	595/1011	595/1011
RPM	3100	3100
Nominal Run Current Maximum (Amps)	4	2
Nominal Start Current Maximum (Amps)	6.8	3.5
Power Consumption (Watts)	400	400
Weight (lb./kg)	12/5.4	12/5.4
2NB512 Models		
Catalog Numbers	2NB512115	2NB512230
Free Airflow (CFM/M ³ /hr.)	500/850	500/850
RPM	1700	1700
Nominal Run Current Maximum (Amps)	1.5	0.8
Nominal Start Current Maximum (Amps)	3.5	1.7
Power Consumption (Watts)	130	130
Weight (lb./kg)	14/6.3	14/6.3

 Design Data **2NB Models**

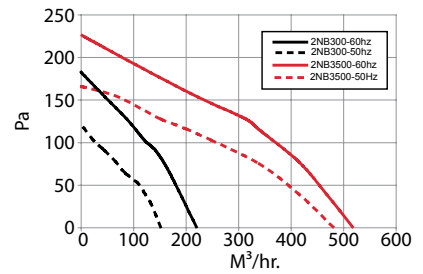
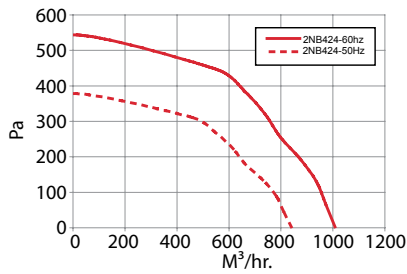
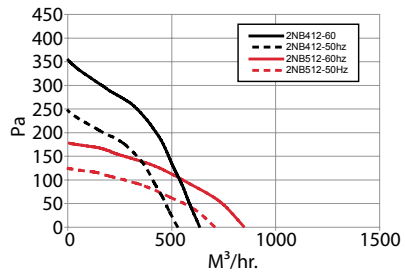
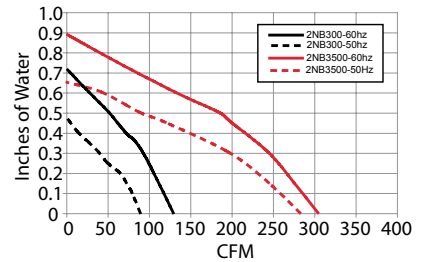
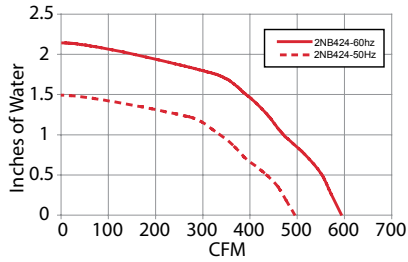
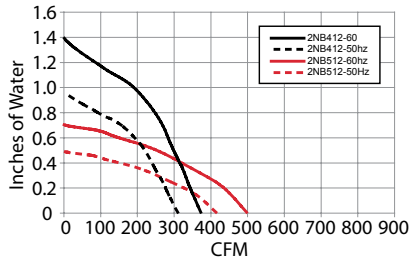
CATALOG NUMBERS	A	B	C	D	F	G	H	I	J	K	L	M	HD
	in/mm	in/mm	in/mm	in/mm	in/mm	in/mm	in/mm	in/mm	in/mm	in/mm	in/mm	in/mm	in/mm
2NB300XXX	5.19/132	5.25/133	2.19/56	2.50/64	.28/7	.43/11	2.13/54	2.63/67	.22/6	.42/11	3.87/98	8.69/221	.25/6
2NB3500XXX	5.57/141	5.07/129	2.00/51	2.75/70	.38/10	.78/20	4.37/111	5.25/133	.38/10	.50/13	3.00/76	13.80/350	.22/6
2NB412XXX	6.73/171	6.37/162	2.59/66	2.53/64	.38/10	- / -	3.22/82	4.03/102	.27/7	.68/17	3.31/84	10.62/270	.28/7
2NB424XXX	8.06/205	7.00/178	3.13/80	3.25/83	.63/16	.13/3	3.50/89	4.13/105	.69/18	1.12/28	3.63/92	11.25/286	.25/6
2NB512XXX	8.06/205	7.75/197	3.44/87	4.06/103	.31/8	.63/16	3.66/93	4.25/108	.31/8	.63/16	3.63/92	11.56/294	.28/7



2NB Models



Performance Curves 2NB Models



FILTER GRILLE PANEL

APPLICATION

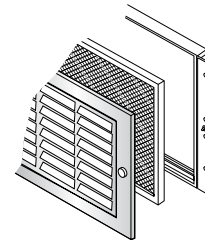
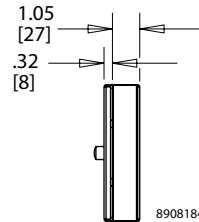
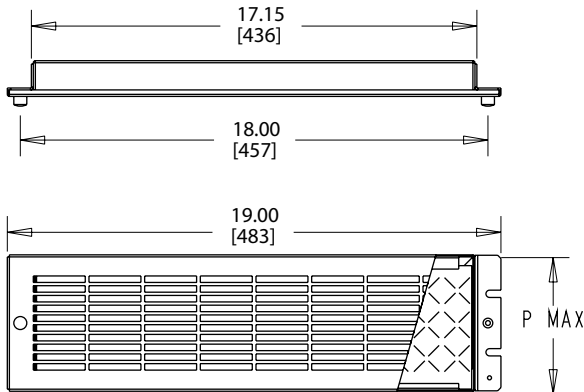
Filter Grille Panels add valuable ventilation to a rack for either inlet or exhaust air. Used alone, filter grille panels allow adequate air flow on natural convection applications or in conjunction with an air moving device to provide filtered air intake.

FEATURES

- Permanent, Washable Aluminum Filter
- 19-inch Rack Mountable
- Brushed Aluminum or Stainless Steel Grilles

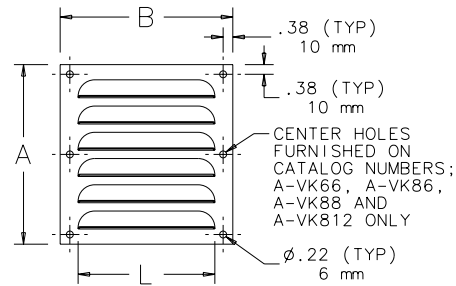
Performance Data Filter Grille Panel

CATALOG NUMBERS					
Stainless Steel	35G19	—	7G19	875G19	105G19
Aluminum	35H19	525H19	7H19	875H19	105H19
UNIT CONSTRUCTION					
Height PMax (in./mm)	3.5/89	5.25/133	7.00/178	8.75/222	10.50/267
Width (in./mm)	19/483	19/483	19/483	19/483	19/483
Weight (lb./kg)	2/1.0	3/1.4	5/2.2	5/2.2	5/2.2

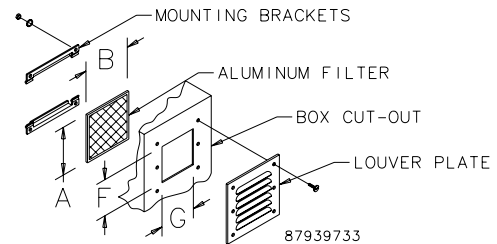




LOUVER PLATE KITS



Designed to provide ventilation in enclosures where excessive internal heat or excessive moisture is a problem. Although louvers cannot keep all moisture out of an enclosure, gasketing or sealing the perimeter of the louver plate reduces problems associated with moisture intrusion. These kits may be easily installed in the field by making a cutout of the proper size and attaching the louver plate in place. Louver plates are made from 14 gauge steel with an ANSI 61 gray polyester powder finish over pretreated surfaces or 316 stainless steel. Hardware is furnished for mounting. Custom sizes, materials, finishes, etc., can be provided on special order.



Design Data Louver Plate Kits

CATALOG NUMBERS	Dimensions A x B in./mm	Number of Louvers	Thickness in./mm	Length L in./mm	Opening Area in. ² /cm ²	Cutout Size, F in./mm	Cutout Size, G in./mm
AVK23	3.25 x 3.25/83 x 83	3	0.19/5	2.00/51	.86/5.54	2.00/51	1.75/44
AVK23SS6	3.25 x 3.25/83 x 83	3	0.19/5	2.00/51	.86/5.54	2.00/51	1.75/44
AVK33	3.88 x 4.50/98 x 114	3	0.25/6	3.00/76	1.32/8.52	2.62/67	3.00/76
AVK33SS6	3.88 x 4.50/98 x 114	3	0.25/6	3.00/76	1.32/8.52	2.62/67	3.00/76
AVK34	4.75 x 4.50/121 x 114	4	0.25/6	3.00/76	1.76/11.35	3.50/89	3.00/76
AVK34SS6	4.75 x 4.50/121 x 114	4	0.25/6	3.00/76	1.76/11.35	3.50/89	3.00/76
AVK43	4.50 x 5.50/114 x 140	3	0.25/6	4.00/102	1.88/12.10	3.25/83	4.00/102
AVK43SS6	4.50 x 5.50/114 x 140	3	0.25/6	4.00/102	1.88/12.10	3.25/83	4.00/102
AVK44	5.62 x 5.50/143 x 140	4	0.25/6	4.00/102	2.50/16.13	4.38/111	4.00/102
AVK44SS6	5.62 x 5.50/143 x 140	4	0.25/6	4.00/102	2.50/16.13	4.38/111	4.00/102
AVK64	5.62 x 7.50/143 x 191	4	0.31/8	6.00/152	5.21/33.61	4.38/111	6.00/152
AVK64SS6	5.62 x 7.50/143 x 191	4	0.31/8	6.00/152	5.21/33.61	4.38/111	6.00/152
AVK66	7.88 x 7.50/200 x 191	6	0.31/8	6.00/152	7.82/50.45	6.62/168	6.00/152
AVK66SS6	7.88 x 7.50/200 x 191	6	0.31/8	6.00/152	7.82/50.45	6.62/168	6.00/152
AVK84	5.81 x 9.50/148 x 241	4	0.31/8	8.00/203	8.08/52.12	4.56/116	8.00/203
AVK84SS6	5.81 x 9.50/148 x 241	4	0.31/8	8.00/203	8.08/52.12	4.56/116	8.00/203
AVK86	8.19 x 9.50/208 x 241	6	0.31/8	8.00/203	12.11/78.13	6.94/176	8.00/203
AVK86SS6	8.19 x 9.50/208 x 241	6	0.31/8	8.00/203	12.11/78.13	6.94/176	8.00/203
AVK88	10.56 x 9.50/268 x 241	8	0.31/8	8.00/203	16.15/104.19	9.31/236	8.00/203
AVK88SS6	10.56 x 9.50/268 x 241	8	0.31/8	8.00/203	16.15/104.19	9.31/236	8.00/203
AVK812	15.31 x 9.50/389 x 241	12	0.31/8	8.00/203	24.22/156.26	14.06/357	8.00/203
AVK812SS6	15.31 x 9.50/389 x 241	12	0.31/8	8.00/203	24.22/156.26	14.06/357	8.00/203

Catalog numbers ending in SS6 indicates 316L stainless steel

LOUVER PLATE KIT FILTERS



Design

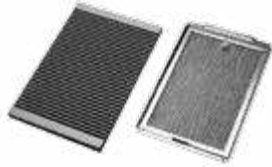
Designed for use with Louver Plate Kit. Mounting holes on filter bracket align with louver mounting holes. Hardware supplied with louvers also secures filter brackets in place. Aluminum air filters provide good arrestment of airborne dust and dirt.

Filter Media

Filter media is composed of layers of slit and expanded aluminum providing hundreds of adhesive coated baffle surfaces for trapping impurities. Impurities are held throughout the depth of the filter. Washing with warm water will keep the filter clean. To achieve best results, Filter Adhesive is recommended.

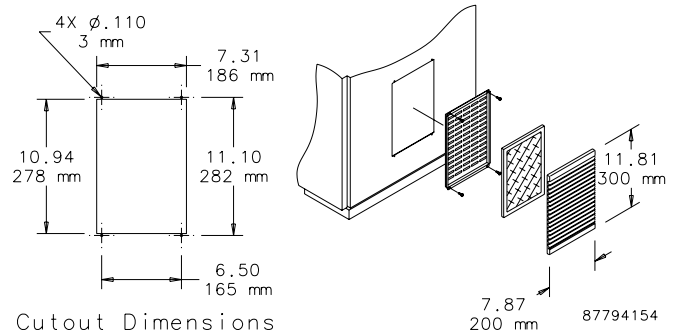
CATALOG NUMBERS	Dimensions H x W (in./mm)	Use with Steel Louver	Use with Stainless Steel Louver
AFLT33	3.22x 3.25/82 x 83	AVK33	AVK33SS6
AFLT34	4.09 x 3.25/104 x 83	AVK34	AVK34SS6
AFLT43	3.84 x 4.25/98 x 108	AVK43	AVK43SS6
AFLT44	4.97 x 4.25/126 x 108	AVK44	AVK44SS6
AFLT64	4.45 x 6.25/113 x 159	AVK64	AVK64SS6
AFLT66	6.72 x 6.25/171 x 159	AVK66	AVK66SS6
AFLT84	4.64 x 8.25/118 x 210	AVK84	AVK84SS6
AFLT86	7.02 x 8.25/178 x 210	AVK86	AVK86SS6
AFLT88	9.39 x 8.25/239 x 210	AVK88	AVK88SS6
AFLT812	14.14 x 8.25/359 x 210	AVK812	AVK812SS6

VENT KIT



Includes a stylized louvered cover and filter package. Use as an air inlet when a cooling fan is mounted in an enclosure or use two vent kits to allow passive airflow. Mounting hardware included. Vent Kit requires cutout shown in diagram. Available in gray (RAL 7042) or black.

CATALOG NUMBERS	XPV32	PPV32B
UNIT CONSTRUCTION		
Dimension H x W x D (in./mm)	11.81 x 7.88 x 1.03 300 x 200 x 26	11.81 x 7.88 x 1.03 300 x 200 x 26
Color	Gray	Black



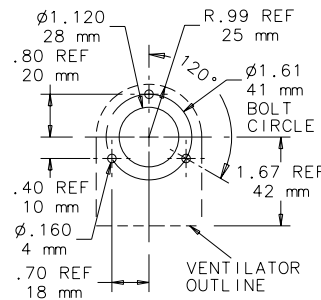
Cutout Dimensions

VENTILATOR

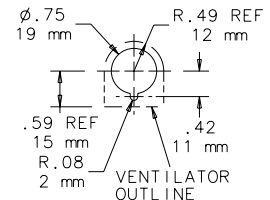


Designed to fit most metallic and non-metallic enclosures. Proper installation will provide rainproof ventilation but will not meet Type 4 or 12 requirements. Kit includes mounting hardware, and instructions. **Supplied screws are 13-mm (.515-inch) long. Some applications may require longer screws.**

CATALOG NUMBERS	ANMV6	ANMV3
DESIGN DATA		
Description	Large nonmetallic vent	Small nonmetallic vent



Large Ventilator



Small Ventilator

87541390



FILTER ADHESIVE



Designed to maximize the efficiency of all expanded aluminum air filters. Use of Filter Adhesive doubles the dust-retention capacity of the filter. Adhesive contains a low-viscosity water-soluble oil which absorbs dirt particles trapped on the surface of the filter. Through the circulation of the oil, a renewed impurity-absorbing surface is constantly established. Washing with water will remove dust, dirt and other impurities. Once the filter is dry, recoat with adhesive.

CATALOG NUMBERS	
	AFLTAD
DESIGN DATA	
Description	Spray Adhesive





CHAPTER 5 ACCESSORIES

FEATURED PRODUCTS

H2OMIT VENT DRAINS

UL-approved vent drains allow accumulated water to drain out the bottom of an enclosure, while also functioning as an air pressure equalizer to prevent water and moisture from being pulled into the enclosure. Installs in the bottom of mild steel, aluminum, stainless steel or non-metallic enclosures.



H2OMIT THERMOELECTRIC DEHUMIDIFIER

Thermoelectric dehumidifiers remove moisture from the air within an enclosure and standing liquids, providing a cost-effective way to protect sensitive electrical equipment from condensation. A built-in drain provision with plastic hose directs collected moisture to the vent drain (sold separately).



CHAPTER CONTENTS

CONDENSATION MANAGEMENT	
H2OMIT Vent Drains	376
H2OMIT Thermoelectric Dehumidifier	378
PRESSURE COMPENSATION	
Stainless Steel Pressure Compensation	380
Pressure Compensation	380
CORROSION INHIBITORS	
Industrial Corrosion Inhibitors	381
ENCLOSURE HEATERS	
Touch-Safe Heaters	382
Semiconductor Heaters	382
Electric Heaters	384
Hazardous Location Heater, ATEX	388
Hazardous Location Heaters and Thermostats	389
CONTROLLERS	
Thermostat Controller	391
Dual Thermostat	392
Electronic Hygrotherm	393
Mechanical Hygostat	394
Temperature Control Switch	395
Panel-Mount Fan Speed Controls	396
Hazardous Location Thermostat	397

ENCLOSURE HEATERS

Protect electrical, pneumatic, hydraulic and mechanical equipment from low temperatures, condensation and corrosion with Enclosure Heaters. To accommodate diverse applications, semiconductor, electric and hazardous locations are available.



H2OMIT VENT DRAINS

INDUSTRY STANDARDS

Maintains UL/cUL Type 4, 4X rating when properly installed on a UL/cUL Type 4 or 4X enclosure.

UL 508A Listed; Type 4, 4X; File No. E61997
 cUL Listed per CSA C22.2 No 94; Type 4, 4X; File No. E61997

NEMA/EEMAC Type 4, 4X
 IEC 60529, IP66

APPLICATION

H2OMIT Vent Drains allow accumulated water to drain out the bottom of an enclosure. The UL-approved vent drains also function as an air pressure equalizer, reducing the harmful effects of temperature-induced vacuums that could pull water and moisture into the enclosure.

FEATURES

- Uses gravity to remove collected liquids
- One-way mechanical shut-off when pressure is equalized prevents water and contaminants from entering the enclosure
- Helps reduce corrosion that can limit the life of internal electrical and electronic components
- Installs in a 7/8-in. hole in the bottom of enclosure with provided nut or in a 1/2-in. NPT/NPS threaded conduit hub
- Installs in the bottom of mild steel, aluminum, stainless steel or non-metallic enclosures
- Maintains enclosure's UL Type rating when properly installed

SPECIFICATIONS
Stainless Steel Vent Drain

- Corrosion-resistant polyester material with a Type 304 stainless steel sleeve
- 2.00-in. long x 1.38-in outside diameter

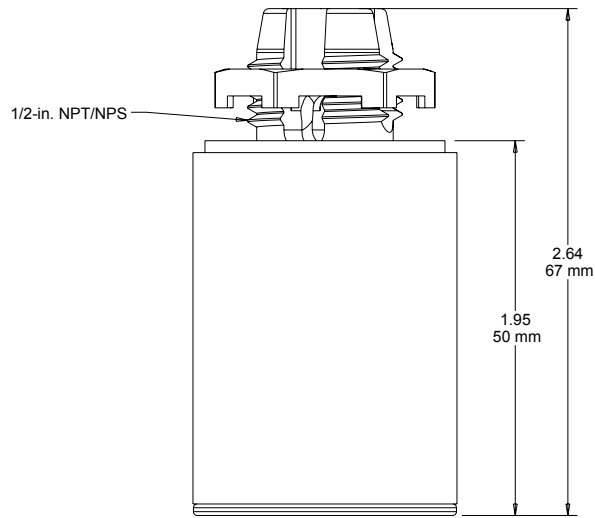
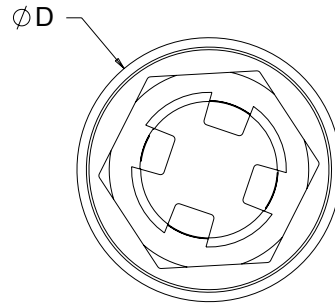
Non-Metallic Drain Vent

- Corrosion-resistant polyester material
- 2.00-in. long x 1.25-in. outside diameter

Performance Data H2OMIT Vent Drains

CATALOG NUMBERS		
	AVDR4NM	AVDR4SS4
UNIT CONSTRUCTION		
Description	Non-metallic Vent Drain	Stainless Steel Vent Drain
D (in./mm)	1.25/32	1.38/35
Quantity	1	1

H2OMIT Vent Drains



87937537



H2OMIT THERMOELECTRIC DEHUMIDIFIER



Vent Drain
Sold Separately

INDUSTRY STANDARDS

UL 508A Listed; File No. E61997
cUL Listed per C22.2 No. 14; File No. E61997

CE

APPLICATION

The H2OMIT Thermoelectric Dehumidifier removes moisture from the air within an enclosure, providing an inexpensive yet highly effective way to protect electronic and electrical components from condensation.

FEATURES

- Reduces corrosion that can limit the life of internal electrical and electronic components
- Condenses moisture from internal enclosure air and standing liquids
- Built-in drain provision with plastic hose directs collected moisture to the Vent Drain (sold separately)
- Rotating side air vents direct recirculating air away from critical controls
- Mounts via DIN rail on internal panel or mounts directly onto the inside bottom of enclosure above the Vent Drain (sold separately)
- Can be used in mild steel, aluminum, stainless steel and non-metallic enclosures

SPECIFICATIONS

- High-impact ABS shell
- Operates on 24-Volt DC power
- 4.5 A max. (84 W)
- Runs continuously above 32 F³ (power supply not included)
- Removes 8 oz. of moisture in 24 hours
- Compact 6.00-in. x 5.50-in. x 5.75-in. design
- One Thermoelectric Dehumidifier includes:
 - Four feet of plastic hose
 - Two hose retainers
 - One double-ended hose retainer
 - Six inches of Velcro[®]
 - Seven-inch strip of DIN rail
 - Two mounting screws

Must be used with UL-certified drain to remove pooled liquid from enclosure.

³If continual operation is not desired, a Mechanical Hygrostat (AMHUM) can be wired to the thermoelectric dehumidifier and then set to turn the dehumidifier on at the desired relative humidity.

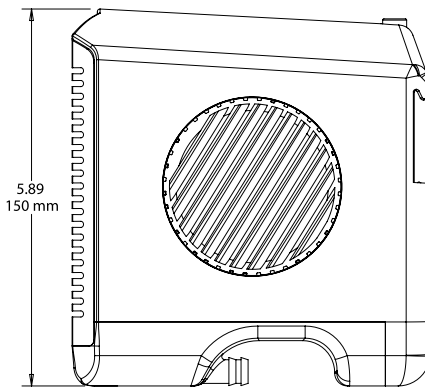
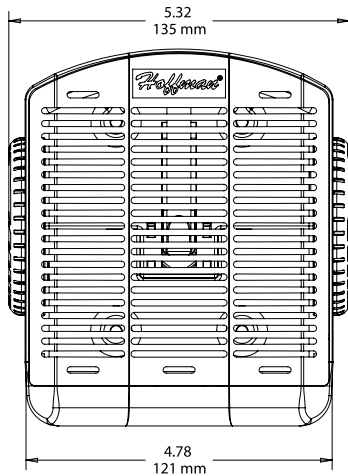
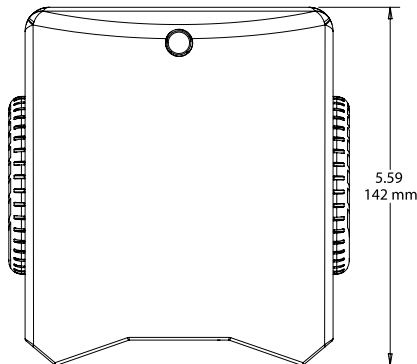
VELCRO is a trademark of Velcro Industries B.V.



Performance Data **H2OMIT Thermoelectric Dehumidifier**

CATALOG NUMBERS																				
H2OMITTER																				
Dew Point Temperature : Percent Relative Humidity																				
Temp. (° F)	100%	95%	90%	85%	80%	75%	70%	65%	60%	55%	50%	45%	40%	35%	30%	25%	20%	15%	10%	
110	110	108	106	104	102	100	98	95	93	90	87	84	80	76	72	65	60	51	41	
105	105	103	101	99	97	95	93	91	88	85	83	80	76	72	67	62	55	47	37	
100	100	99	97	95	93	91	89	86	84	81	78	75	71	67	63	58	52	44	32	
95	95	96	92	90	88	86	87	81	79	76	73	70	67	63	59	54	48	40	32	
90	90	88	87	85	83	81	79	79	74	71	68	65	62	59	54	49	43	36	32	
85	85	83	81	80	78	76	74	71	69	67	64	61	58	54	50	45	38	32	-	
80	80	78	77	75	73	71	69	67	65	62	59	56	53	50	45	40	35	32	-	
75	75	73	72	70	68	66	64	62	60	58	55	52	49	45	41	36	32	-	-	
70	70	68	67	65	63	61	59	58	55	53	50	47	44	40	37	32	-	-	-	
65	65	63	62	60	59	57	55	53	50	48	45	42	40	36	62	-	-	-	-	
60	60	58	57	55	53	52	50	48	45	43	41	38	35	32	-	-	-	-	-	
55	55	53	52	50	49	47	45	43	40	38	36	33	32	-	-	-	-	-	-	
50	50	48	46	45	44	42	40	38	36	34	32	-	-	-	-	-	-	-	-	
45	45	43	42	40	39	37	35	34	32	-	-	-	-	-	-	-	-	-	-	
40	40	39	37	35	34	32	-	-	-	-	-	-	-	-	-	-	-	-	-	
35	35	34	32	-	-	-	-	-	-	-	-	-	-	-	-	-	-	-	-	
32	32	-	-	-	-	-	-	-	-	-	-	-	-	-	-	-	-	-	-	

Definition: Dew Point is the temperature at which condensation forms. If the temperature of the enclosure is 85 F and the relative humidity is 80 percent, Dew Point is reached at a temperature of 78 F or below. This means that moisture vapor will condense on any surface that is below the Dew Point temperature of 78 F.



87937538



STAINLESS STEEL PRESSURE COMPENSATION



INDUSTRY STANDARDS

CE
NEMA Type 4X
IEC/EN 60529, IP66

APPLICATION

Pressure differentials in a tightly sealed enclosure result from heat generated by electrical and electronic equipment within the enclosure and fluctuations of outside ambient temperature. Stainless steel pressure compensation devices provide IP66 protection in corrosive applications requiring slow pressure equalization. For optimal performance, install two plugs diagonally to each other.

FEATURES

- Air permeability = 42 cubic feet/hour (1,200 liters/hour) at a pressure difference of min. 70 mbar
- Easy installation: drill one 1.60-in. (41-mm) diameter hole
- Sealing gasket (Nitrile Buna-N Rubber)

PRESSURE COMPENSATION



INDUSTRY STANDARDS

UL Type 1, 4, 4X; File No. E234324

CE
IEC/EN 60529, IP66

APPLICATION

Pressure differentials in a tightly sealed enclosure result from heat generated by electrical and electronic equipment within the enclosure and fluctuations of outside ambient temperature. Pressure compensation devices provide IP66 protection in applications requiring slow pressure equalization. For optimal performance, install two plugs diagonally to each other.

FEATURES

- Air permeability = 42 cubic feet/hour (1,200 liters/hour) at a pressure difference of min. 70 mbar
- Easy installation: drill one 1.60-in. (41-mm) diameter hole
- Sealing gasket (Nitrile Buna-N Rubber)

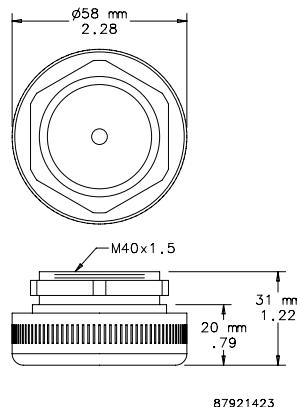
SPECIFICATIONS

- Type 316L stainless steel
- Semipermeable membrane inside the plug filters moisture and dust
- Mounting thread M40 with union nut

FINISH

- Machined Type 316L stainless steel

CATALOG NUMBERS	
	APCDSS6
UNIT CONSTRUCTION	
Operating/Storage Temperature (°F/°C)	-40/-40 to 176/80
Unit Dimensions (in./mm)	2.28/58Ø x 1.22/31
Depth into Enclosure (in./mm)	.35/9



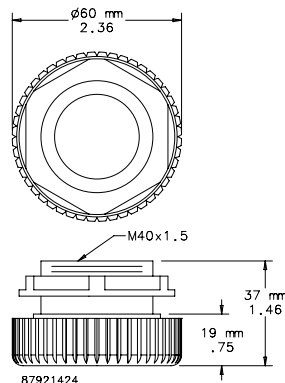
SPECIFICATIONS

- Semipermeable membrane inside the plug to filter moisture and dust
- Mounting thread M40 with union nut
- Plastic PA66

FINISH

- Light-gray plastic. Polymeric material manufactured by DuPont. *DuPont is the trademark of E. I. duPont de Nemours and Company.*

CATALOG NUMBERS	
	APCDABS
UNIT CONSTRUCTION	
Operating/Storage Temperature (°F/°C)	-49/-45 to 158/70
Unit Dimensions (in./mm)	2.36/60Ø x 1.46/37
Depth into Enclosure (in./mm)	.6/15



INDUSTRIAL CORROSION INHIBITORS



Hoffman corrosion inhibitors protect

- Interior components of electrical enclosures, boxes, consoles and wireways
- Interior components of electronic enclosures
- Electrical and electronic equipment and controls
- Parts and components that are packaged in crates during shipping and storage
- Switch gear and relay cabinets
- Interiors of pipes, conduits and fuse boxes
- Process control computers, instruments and recording devices
- Tool chest interiors and contents
- Equipment stored at construction sites

Chief Advantages

- Protects against salt and high humidity
- Eliminates the need of oiling, plating or dipping metal
- Puts protected equipment to use immediately without degreasing or coating removal

How They Work

Each inhibitor contains a special chemical combination that vaporizes and condenses on all surfaces in an enclosed area. Vapors will redeposit as needed in the event of condensation of moisture on surfaces. These vapors reach every part of an enclosure, protecting all interior components. Spraying, wiping or greasing are not required. This eliminates precoating, special wraps and drying agents. Protection is effective even in salt-water atmospheres. The AHCI5E and AHCI10E emitters have additional red-metal inhibitors for further protection. Enclosures containing corrosion inhibitors must be reasonably sealed.

Life Expectancy and Usage

The normal useful life-span of Hoffman corrosion inhibitors is in excess of one year. However, inhibitor life expectancy is shortened

by approximately 25 percent when exposed to temperatures above 104 F (40 C). This product is not recommended for use where temperature exceeds 199 F. Since Hoffman corrosion inhibitors are vapor-phase protective, all surfaces to be protected should be accessible to the vapors. The maximum distance the vapors can travel is approximately 1.50 ft. (.46 m). Protection of long, narrow enclosures can be achieved with tape or multiple inhibitors.

Storage and Handling

Each Hoffman corrosion inhibitor is individually packaged in a resealable bag for maximum effectiveness at the time of usage. Corrosion inhibitors should be stored at temperatures not exceeding 120 F (45 C). Hoffman corrosion inhibitors are not returnable. When determining the proper corrosion inhibitor for your application, assume the enclosure volume to be protected is greater than calculated if (1) cabinet doors are opened frequently, (2) cabinet is located in an extremely corrosive area and/or (3) cabinet length divided by depth is greater than four.

AHCI1DV

Foam device protects one cubic foot (28 liters) of enclosure volume for approximately one year.

Size: .25 x 1.25 x 3.00 in. (6 x 32 x 76 mm)

AHCI5E

Emitter protects 5 ft.³ (142 liters) of enclosure volume for approximately two years from the date of manufacture. Emitters contain additional red metal (non-ferrous) inhibitors.

Size: 2.31 in. (diameter) x 0.81 in. (high) (59 mm x 21 mm)

AHCI10E

Emitter protects 10 ft.³ (283 liters) of enclosure volume for approximately two years from the date of manufacture. Emitters contain additional red metal (non-ferrous) inhibitors.

Size: 2.31 in. (diameter) x 1.38 in. (high) (59 mm x 35 mm)

AHCI60R

Tape protects 60 ft.³ of enclosure volume per roll. Use approximately 2.50 in. (63 mm) of tape per cubic foot (28 liters) of enclosure volume to be protected. Each roll of tape is packaged individually in a resealable bag.

Size: .25 in. x .75 in. x 12.00 ft. (6 mm x 19 mm x 3.6 m)

AHCI240R

Tape protects 240 ft.³ of enclosure volume per roll. Use approximately 1.00 in. (25 mm) of tape per cubic foot (28 liters) of enclosure volume to be protected. Each roll of tape is packaged individually in a resealable bag.

Size: .25 in. x 2.00 in. x 20.00 ft. (6 mm x 51 mm x 6.1 m)

AHCI238S

Spray is a non-conductive, nonflammable, vapor-phase film and is non-toxic. It has essentially neutral pH value. Application provides instant protection against corrosion. Spray is water soluble and can be easily flushed away with water if desired. This product should be kept from freezing and has a shelf life of 2+ years in normal warehouse conditions.

Standard Product

CATALOG NUMBER	Enclosure Volume Protected (ft. ³)	Enclosure Volume Protected (liters)	Package Qty.
AHCI1DV	1	28.32	50
AHCI5E	5	141.60	25
AHCI10E	10	283.20	12
AHCI60R	60 per roll	1699 per roll	3
AHCI240R	240 per roll	6797 per roll	1
AHCI238S	Corrosion Inhibitor Spray	Corrosion Inhibitor Spray	6

Metal Protection Chart

Metal	Protected by Chemical	Unprotected by Chemical
Aluminum	Marked reduction of surface attack; no pitting	Severe surface attack; tarnish; pitting
Brass ^a	Decreased tarnish; very minor surface attack	Surface discoloration; pitting
Steel, Iron	No change	Severe corrosion
Copper ^a	Slight staining	Heavy corrosive attack
Zinc Plate	Slight discoloration	Severe corrosion
Tin Plate	Slight discoloration	Moderate corrosive attack

^a AHCI5E and AHCI10E emitters are recommended for these materials



TOUCH-SAFE HEATERS

INDUSTRY STANDARDS

cURus Component Recognized; File No. E150057

 IP 20
CE

APPLICATION

Protect electrical, mechanical equipment from low temperatures, condensation, and corrosion with this heater, which will maintain stable enclosure temperatures by using natural convection resulting in current circulation of warm air.

SPECIFICATIONS

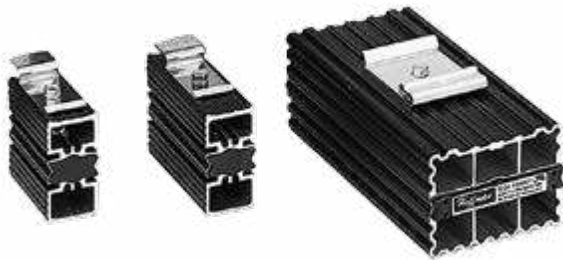
- Heating element PTC resistor - temperature limiting
- Double Insulated Protection
- Mounting clip for 35mm DIN rail, EN 60 715
- Vertical mount

FINISH

- UL 94 V-0 Black Plastic Housing

Performance Data

CATALOG NUMBERS			
	DAH101TS	DAH201TS	DAH501TS
Electrical Data			
Rated Voltage (AC/DC)	110/120	110/120	110/120
Power Consumption (Watts)	10	20	50
Start Nominal Current (Amps)	2.5	4.5	8
Unit Construction			
H x W x D (in./mm)	3.9 X 1.5 X 3.0/98 x 38 x 75	3.9 X 1.5 X 3.0/98 x 38 x 75	4.3 X 2.4 X 3.5/110 x 60 x 90
Weight (oz)	5.0	6.1	10.4

SEMICONDUCTOR HEATERS

INDUSTRY STANDARDS

cURus Component Recognized; File No. E150057

 IEC IP54
CE

APPLICATION

Protect electrical, pneumatic, hydraulic and mechanical equipment from low temperatures, condensation and corrosion with this heater, which maintains a stable enclosure temperature.

SPECIFICATIONS

- PTC (Positive Temperature Coefficient) heating element
- Mounting clip for 35-mm DIN rails EN 50022

FINISH

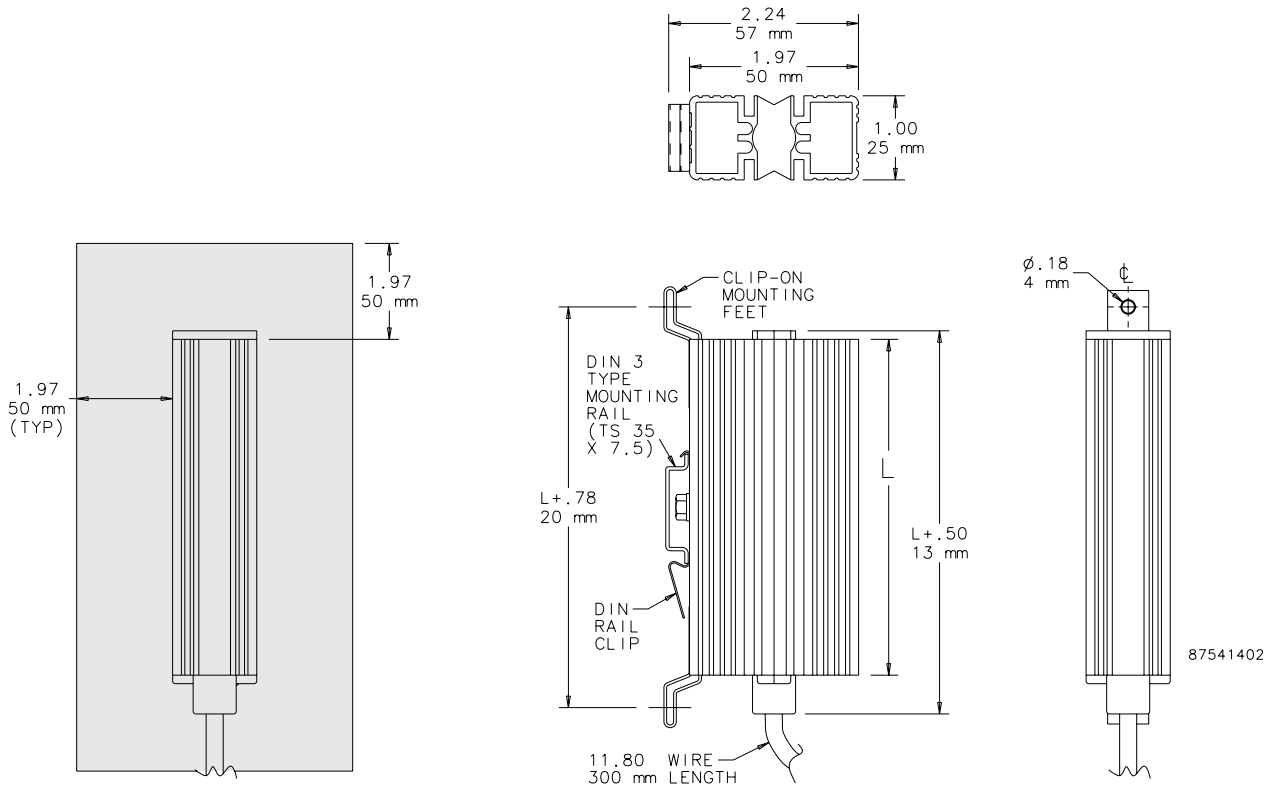
- Black anodized, extruded aluminum.

Performance Data Semiconductor Heater

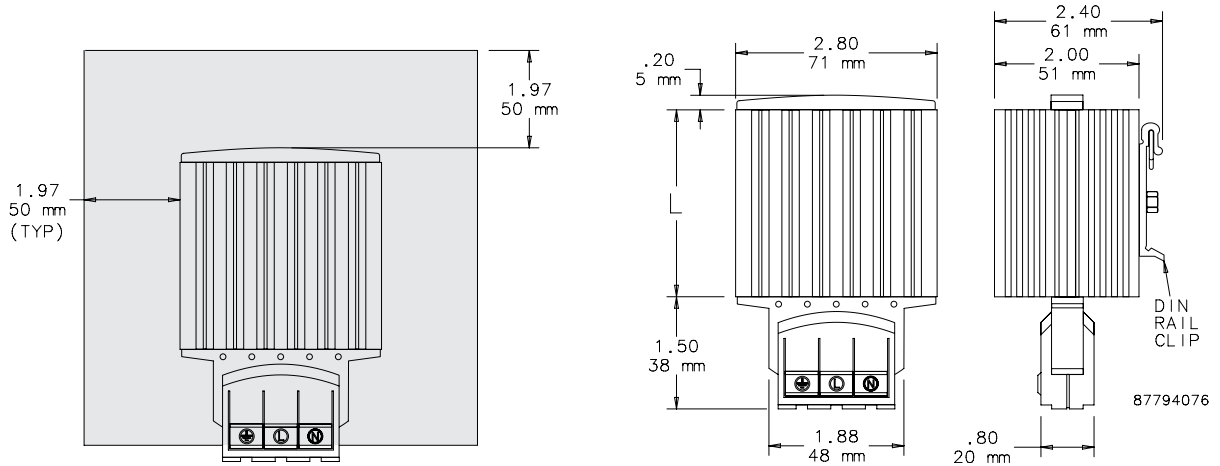
CATALOG NUMBERS			
	DAH101	DAH301	DAH601
ELECTRICAL DATA			
Rated Voltage	AC/DC 110/120	AC/DC 110/120	AC/DC 110/250
Power Consumption (Watts)	10	30	60
Start Nominal Current (Amps)	0.8	1.2	2.5
HEATING PERFORMANCE			
Watts	10	30	60
UNIT CONSTRUCTION			
L (in./mm)	1.97/50	3.93/100	5.5/140
Weight (lb./kg)	0.45/0.20	0.66/0.30	1.10/0.50



Clearance Range for DAH101 and DAH301



Clearance Range for DAH601





115/230 Volt
100/200 Watt

115/230 Volt
400/800 Watt

115/230 Volt
1300 Watt

INDUSTRY STANDARDS

UL 508A Component Recognized; File No. E61997

CSA Certified, CSA File No. LR42186
CE

APPLICATION

Protect mechanical, electrical and electronic equipment from low temperatures, condensation and corrosion with this thermostatically controlled, fan-driven heater that maintains a stable enclosure temperature. Fan draws cool air from the bottom of the enclosure and passes this air across the thermostat and heating element before being released into enclosure cavity. Heated air is discharged through the top of the heater unit.

SPECIFICATIONS

- Aluminum housing
- Thermostat range adjustable from 0 F to 100 F (-18 C to 38 C)
- Four 10-32 x self-tapping screws are included with each heater
- Ball bearing fan
- Terminal strip with clamp connector that accepts both solid and stranded wire

FINISH

- Brushed aluminum

! CAUTION

These electric heaters are not designed for use in dusty, dirty, corrosive, or hazardous locations. Portions of the heater can get hot. Adequate protection must be taken to protect people from potential burns, and to protect other components from this heat. nVent recommends this heater only be installed in a totally-enclosed metal enclosure.

DO NOT INSTALL HEATERS ON WOOD PANELS.
Heat sensitive components should not be placed near the heater discharge area since this air can be quite warm. The clearance range defines the space that must be kept free of these components for proper and safe operation of the heater.





Performance Data 100 and 200 Watt Heaters

CATALOG NUMBERS				
	DAH1001A	DAH1002A	DAH2001A	DAH2002A
ELECTRICAL DATA				
Rated Voltage	115	230	115	230
Frequency (Hz)	50/60	50/60	50/60	50/60
Power Consumption (Watts)	100	100	200	200
Nominal Current (Amps)	0.98	0.49	1.89	0.95
HEATING PERFORMANCE				
Watts	100	100	200	200
UNIT CONSTRUCTION				
Weight (lb./kg)	1.6/0.73	1.6/0.73	1.6/0.73	1.6/0.73
X (in./mm)	4.00/102	4.00/102	6.00/152	6.00/152

Performance Data 400 and 800 Watt Heaters

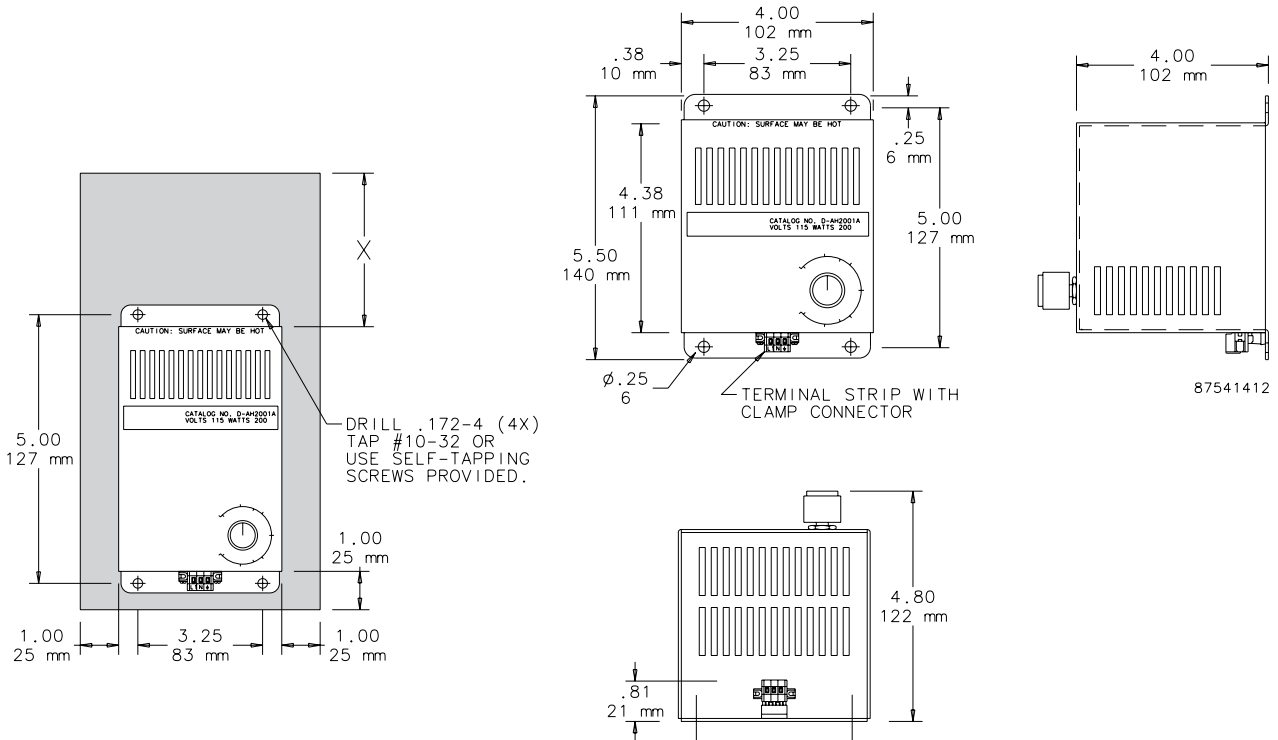
CATALOG NUMBERS				
	DAH4001B	DAH4002B	DAH8001B	DAH8002B
ELECTRICAL DATA				
Rated Voltage	115	230	115	230
Frequency (Hz)	50/60	50/60	50/60	50/60
Power Consumption (Watts)	400	400	800	800
Nominal Current (Amps)	3.72	1.86	7.37	3.69
HEATING PERFORMANCE				
Watts	400	400	800	800
UNIT CONSTRUCTION				
Weight (lb./kg)	2.2/1.00	2.2/1.00	2.2/1.00	2.2/1.00
X (in./mm)	6.00/152	6.00/152	8.00/203	8.00/203

Performance Data 1300 Watt Heaters

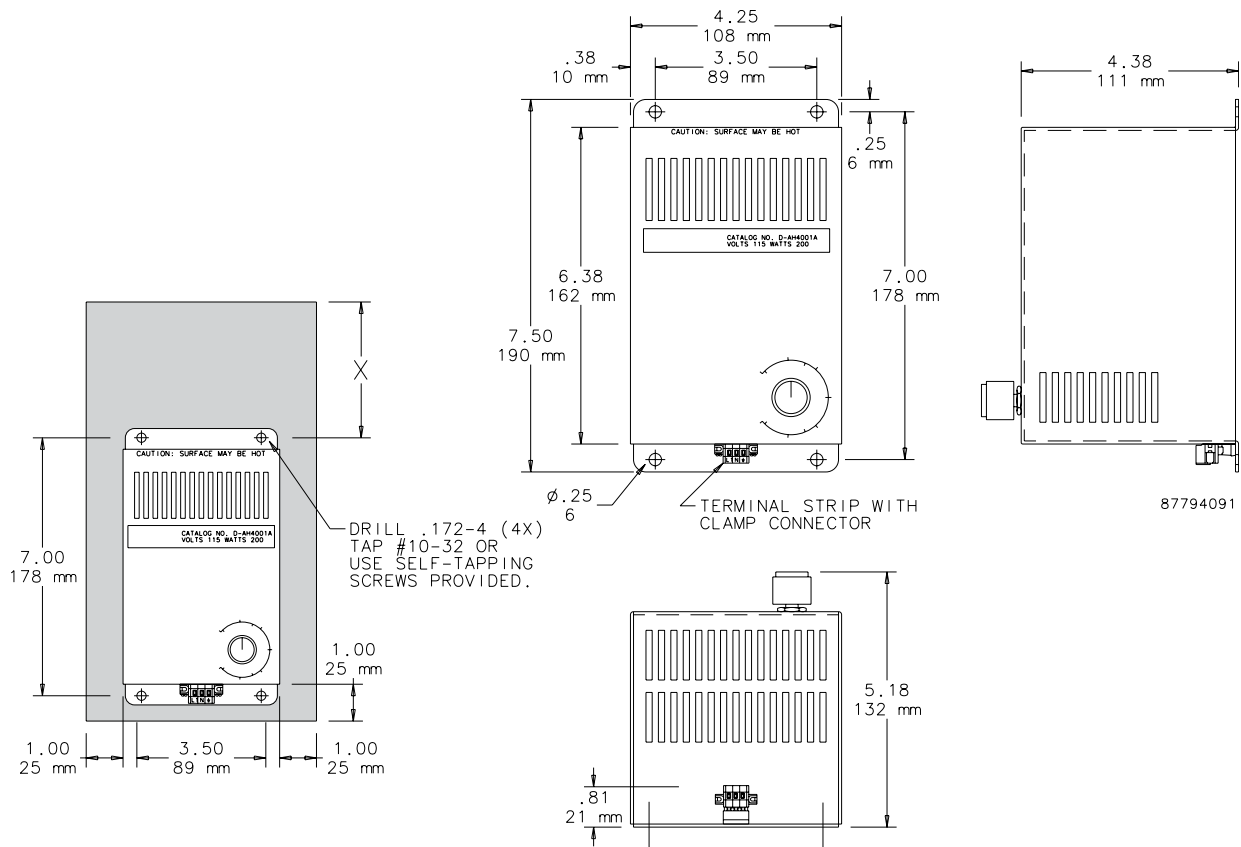
CATALOG NUMBERS		
	DAH13001C	DAH13002C
ELECTRICAL DATA		
Rated Voltage	115	230
Frequency (Hz)	50/60	50/60
Power Consumption (Watts)	1300	1300
Nominal Current (Amps)	11.5	5.7
HEATING PERFORMANCE		
Watts	1300	1300
UNIT CONSTRUCTION		
Weight (lb./kg)	3.4/1.54	3.4/1.54
X (in./mm)	8.00/203	8.00/203



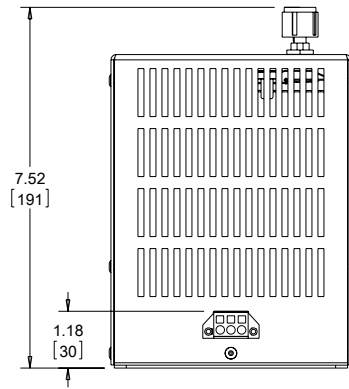
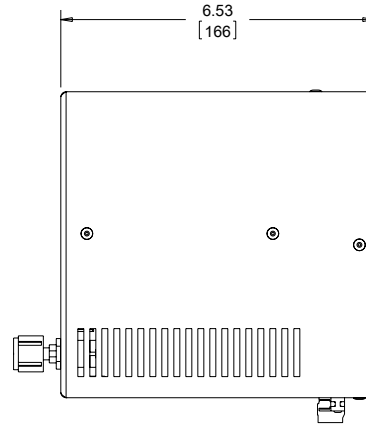
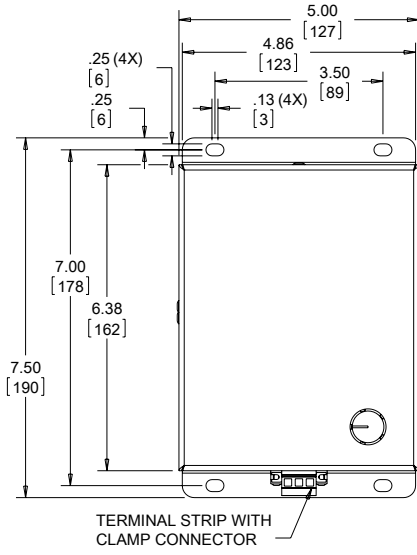
Dimensions and Clearance Range Drawing for DAH1001A, -2A and DAH2001A, -2A



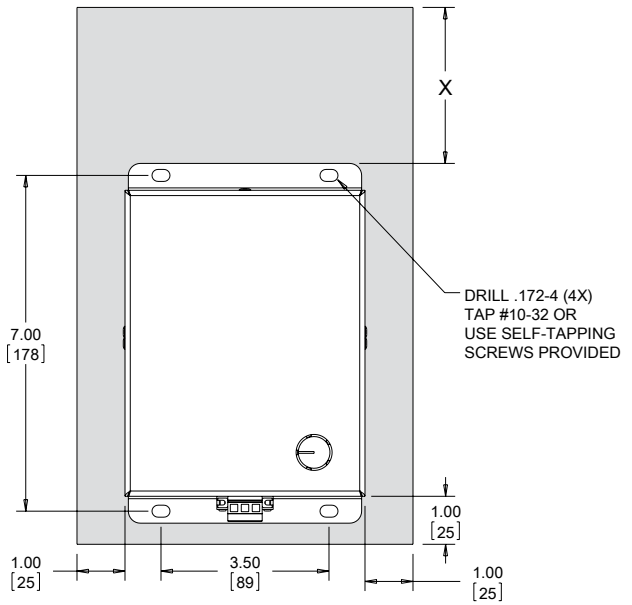
Dimensions and Clearance Range Drawing for DAH4001B, -2B and DAH8001B, -2B



Dimensions and Clearance Range Drawing for DAH13001C and DAH13002C



89091692



HAZARDOUS LOCATION HEATER, ATEX

INDUSTRY STANDARDS

CE
 Conformity Certificate LCIE (Laboratoire Central des Industries
 Electriques) LCIE 01 ATEX 6073
 EEx d IIC T4/II 2 GD, IP6x T135°C
 IEC 60529, IP65/1 (grounded)

APPLICATION

Designed for use in hazardous locations where electrical
 components require protection from condensation and corrosion,
 sudden temperature drops and low temperatures.

FEATURES

- Maintenance-free
- High-performance heating cartridge (element)
- Large convection surface
- Extruded aluminum heat sink
- DIN clip for mounting
- Connection cable: Si HF-JZ 3 x AWG 18 x 3.3 ft. (0.75 mm² x 1 m)
- Operating voltage 110-120 VAC

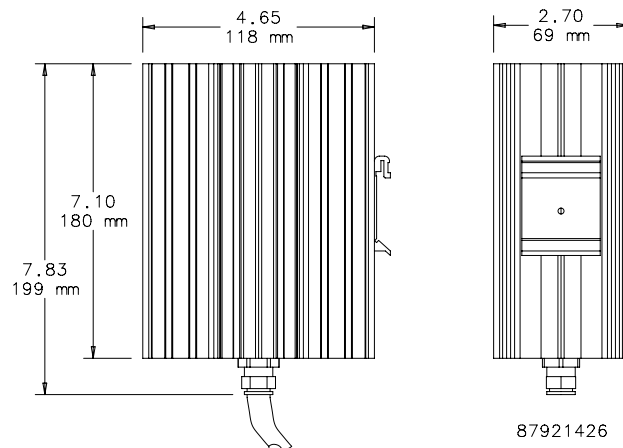
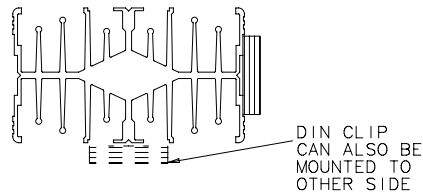
FINISH

- Black anodized

Performance Data Hazardous Location Heater

CATALOG NUMBERS	
	HLHEAT100
DESIGN DATA	
Heating Power (Watts)	100
Surface Temperature T4 (°F/°C) *	275/135
UNIT CONSTRUCTION	
Unit Dimensions - H x W x D (in. / mm)	7.10/180 x 4.65/118 x 2.70/69

* Surface temperature when mounted vertically.



HAZARDOUS LOCATION HEATERS AND THERMOSTATS



INDUSTRY STANDARDS

CE
cCSAus
See additional certifications in product tables.

APPLICATION

Designed for use in hazardous locations where electrical components require protection from cold freezing temperatures, condensation and corrosion.

SPECIFICATIONS

- 50W, 80W, 200W, 300W, 400W and 600W models available
- Provides freeze protection down to -76 F / -60 C
- Conductive and Convection heating types available
- 50W and 80W models can be mounted directly to manifolds, measuring or analyzing instruments, control valves, and similar equipment
- 200W, 300W, 400W, 600W models are finned heaters that heat the area by transferring the heat from the heater to surrounding air, creating a convection current.
- Two thermostat options available with a 50 F / 10 C or 68 F / 20 C set point

FINISH

- Black Anodized Aluminum

Performance Data 50W and 80W Hazardous Location Heaters

CATALOG NUMBERS		
	DAHHL501AC	DAHHL801AC
HEATING PERFORMANCE		
Watts	50	80
Heating Type	Conductive	Conductive
Power Regulation	Self Limiting	Self Limiting
HAZARDOUS LOCATION CERTIFICATIONS		
Agency Approvals	ATEX, IECEx, CE, cCSAus	ATEX, IECEx, CE, cCSAus
ATEX / IECEx Certification	PTB 02 ATEX 1116 X IECEx PTB 07.0055X II 2 G Ex db IIC T4 II 2 D Ex tb IIIC T135°C	PTB 02 ATEX 1116 X IECEx PTB 07.0055X II 2 G Ex db IIC T3 II 2 D Ex tb IIIC T200°C
NEC cCSAus Certification	CSA 1655545 (LR43674) Class I Zone 1 and 2 Group IIC Class I Div 1 Groups A,B,C,D T4 Class II Div 1 Groups E,F,G	CSA 1655545 (LR43674) Class I Zone 1 and 2 Group IIC Class I Div 1 Groups A,B,C,D T3 Class II Div 1 Groups E,F,G
ELECTRICAL DATA		
Rated Voltage (VAC or VDC)	110 - 265	110 - 265
Operating Range		
Maximum (F/C)	302/150	302/150
Minimum (F/C)	-76/-60	-76/-60
UNIT CONSTRUCTION		
Material	Black, anodized, seawater-proof aluminium	
ACCESSORIES		
Thermostat*	HLTSTAT10C, HLTSTAT20C	
UNIT DIMENSIONS		
Height (in./mm)	3.5/90	3.5/90
Width (in./mm)	1.6/40	1.6/40
Depth (in./mm)	1.2/30	1.2/30
Weight (lb./kg)	1.1/.50	1.1/.50

* Thermostats sold separately as an accessory.



Performance Data 200W, 300W, 400W, 600W Hazardous Location Heaters


CATALOG NUMBERS						
	DAHHL200AC	DAHHL300AC	DAHHL4001A	DAHHL4002A	DAHHL6001A	DAHHL6002A
HEATING PERFORMANCE						
Watts	200	300	400	400	600	600
Heating Type	Convection	Convection	Convection	Convection	Convection	Convection
Power Regulation	Self Limiting	Self Limiting	Constant Power	Constant Power	Constant Power	Constant Power
HAZARDOUS LOCATION CERTIFICATIONS						
Agency Approvals	ATEX, IECEx, CE, cCSAus		ATEX, IECEx, CE, cCSAus		ATEX, IECEx, CE, cCSAus	
ATEX / IECEx Certification	PTB 02 ATEX 1116X IECEX PTB 07.0055 X II 2 G Ex db IIC T3 II 2 D Ex tb IIIC T200°C		PTB 02 ATEX 1041X IECEX PTB 07.0052 X II 2 G Ex db IIC T3 II 2 D Ex tb IIIC T200°C		PTB 02 ATEX 1041X IECEX PTB 07.0052 X II 2 G Ex db IIC T3 II 2 D Ex tb IIIC T200°C	
NEC cCSAus Certification	CSA 1655545 (LR43674) Class I Zone 1 and 2 Group IIC Class I Div 1 Groups A,B,C,D T3 Class II Div 1 Groups E,F,G		CSA 1655545 (LR43674) Class I Zone 1 and 2 Group IIC Class I Div 1 Groups A,B,C,D T3 Class II Div 1 Groups E,F,G		CSA 1655545 (LR43674) Class I Zone 1 and 2 Group IIC Class I Div 1 Groups A,B,C,D T3 Class II Div 1 Groups E,F,G	
ELECTRICAL DATA						
Rated Voltage (VAC or VDC)	110 - 265	110 - 265	108 - 132	207 - 253	108 - 132	207 - 253
Operating Range						
Maximum (F/C)	302/150	302/150	302/150	302/150	302/150	302/150
Minimum (F/C)	-76/-60	-76/-60	-76/-60	-76/-60	-76/-60	-76/-60
UNIT CONSTRUCTION						
Material	Black, anodized, seawater-proof aluminium					
ACCESSORIES						
Thermostat*	HLTSTAT10C, HLTSTAT20C					
UNIT DIMENSIONS						
Height (in./mm)	8.9/225	12.8/325	8.9/225	8.9/225	12.8/325	12.8/325
Width (in./mm)	9.0/229	9.0/229	9.0/229	9.0/229	9.0/229	9.0/229
Depth (in./mm)	2.4/60	2.4/60	2.4/60	2.4/60	2.4/60	2.4/60
Weight (lb./kg)	8.7/3.95	12.5/5.65	8.7/3.95	8.7/3.95	12.5/5.65	12.5/5.65

* A thermostat is required for 400W and 600W models. It is sold separately as an accessory.

Performance Data Hazardous Location Thermostats

CATALOG NUMBERS		
	HLTSTAT10C	HLTSTAT20C
HAZARDOUS LOCATION CERTIFICATIONS		
Agency Approvals	ATEX, IECEx, CE, cCSAus	
ATEX / IECEx Certification	PTB 03 ATEX 1136 X IECEX PTB 07.0054 II 2 G Ex db IIC T6 II 2 D Ex tb IIIC T80°C	
NEC cCSAus Certification	CSA 1655545 (LR43674) Class I Zone 1 and 2 Group IIC Class I Div 1 Groups A,B,C,D T6 Class II Div 1 Groups E,F,G	
ELECTRICAL DATA		
Rated Voltage (VAC or VDC)	0-275	0-275
Max. Rated Current (Amps)	10	10
Operating Range		
Maximum (F/C)	302/150	302/150
Minimum (F/C)	-76/-60	-76/-60
Thermostats Nominal Setpoints		
Switch-on Temperature (°F/°C)	50 F/10 C	68 F/20 C
Switch-off Temperature (°F/°C)	64 F/18 C	82 F/28 C
UNIT CONSTRUCTION		
Material	Black, anodized, seawater-proof aluminium	
UNIT DIMENSIONS		
Height (in./mm)	1.10/28	1.10/28
Width (in./mm)	.90/24	.90/24
Depth (in./mm)	4.30/108	4.30/108
Weight (lb./kg)	.50/.20	.50/.20

THERMOSTAT CONTROLLER



FEATURES

- Mechanical thermostat for controlling filter fans and heaters
- Registers surrounding air and can switch inductive and resistive loads via snap-action contact
- Clips for vertically mounting on 35 mm DIN rail (EN 60715)
- An integrated resistor (RF) can be connected to improve the switch temperature difference



FINISH

- RAL7035 light gray
- Plastic housing UL94V-0

NOTES

- The contact system of the regulator is subjected to environmental influences and contact resistance may change which can lead to a voltage drop and/or self-heating of contacts
- If the Normally Closed contact is used, the switch temperature difference could be reduced by connecting terminal "N" (RF heating resistor). It causes thermal feedback which is subject to surrounding conditions and thus has to be determined for each individual application.
- Voltage only needs to be specified if the optional use of the RF resistor is desired

INDUSTRY STANDARDS

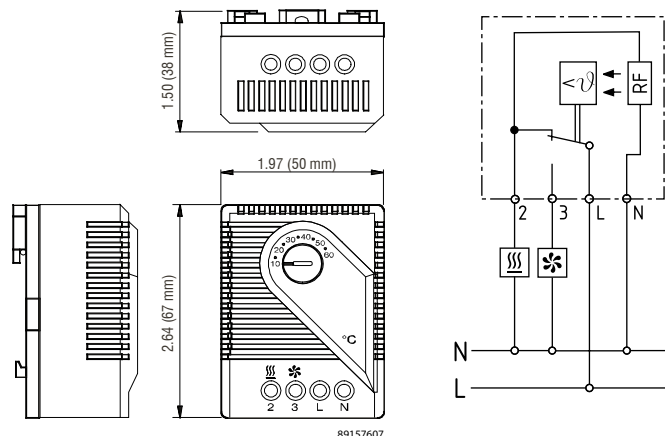
cURus; File No. E164102

CE

Performance Data Thermostat Controller

CATALOG NUMBERS	THERM16F	THERM26F	THERM16C	THERM26C
DESIGN DATA				
Control Range	40 to 140 F		5 to 60 C	
Switching Differences:	Approximately 9 F (5K), tolerance -5.4/+3.6 F (-3/+2K)			
Bimetal controllers				
Contact	Snap contact as break contact-NC Make contact-NO			
Switching Capacity:				
Minimum switching capacity	10 mA			
Maximum switching capacity, NC	10 A resistive / 4 A inductive @ AC 115V 10 A resistive / 4 A inductive @ AC 250V DC 30 W			
Maximum switching capacity, NO	5 A resistive / 2 A inductive @ AC 115V 5 A resistive / 2 A inductive @ AC 250V DC 30 W			
Supply Voltage	115V	230V	115V	230V
Protection	IP20			
Sensor	Bimetal			
Power Connection	4-pole terminal, clamping torque 0.5 Nm maximum: solid/stranded wire, 14 AWG maximum (2.5 mm)*			
Ambient Temperature (°F / °C)	-4 to 176 F		-20 to 80 C	
Storage Temperature (°F / °C)	-49 to 149 F		-45 to 65 C	
UNIT CONSTRUCTION				
Temperature Display	Fahrenheit		Celsius	
Unit Dimensions - H x W x D (in./mm)	2.64 x 1.97 x 1.50/67 x 50 x 38			
Weight (oz/g)	2.00/60			

*When connecting with stranded wires, wire end ferrules must be used



89157607





INDUSTRY STANDARDS

cURus; File No. E164102

CSA File No. 215952
 CE

APPLICATION

Two thermostats in one, the Dual Thermostat independently controls equipment heating and cooling systems.

FEATURES

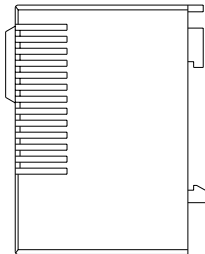
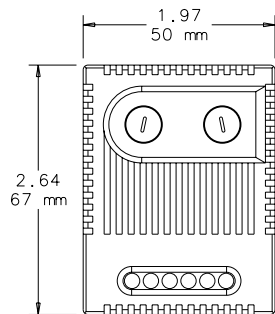
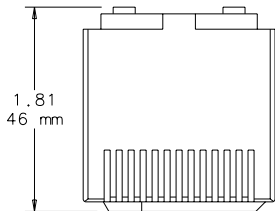
- Two thermostats; one normally closed (NC), red, and one normally open (NO), blue, in one casing
- Wide adjustable temperature range (32 -140 F)
- Thermostatic bimetallic sensor element
- Connection: 4-pole terminal for AWG 14 max (2.5 mm²)
- Mounting clip for 35-mm DIN rail

FINISH

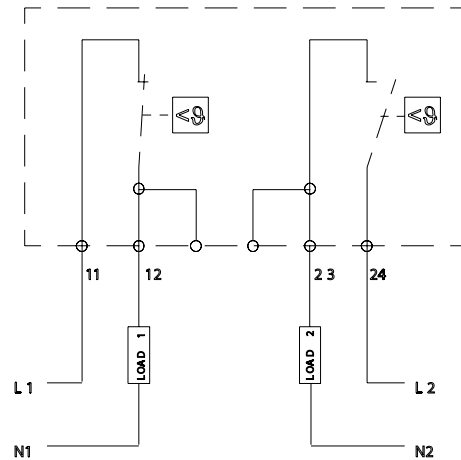
- Light-gray plastic, UL94V-0

Performance Data Dual Thermostat

CATALOG NUMBERS	
	ADLTEMP
ELECTRICAL DATA	
Switching Capacity (Normally Closed)	10 A resistive/2 A inductive @250 VAC, DC 30 W
Switching Capacity - Normally Open	5 A resistive/2 A inductive @250 VAC, DC 30 W
Setting Range - Normally Closed (°F/°C)	32/0 to 140/60
Setting Range - Normally Open (°F/°C)	32/0 to 140/60
UNIT CONSTRUCTION	
Unit Dimensions - H x W x D (in./mm)	2.64 x 1.97 x 1.81/67 x 50 x 46



87939707



CONNECTION DIAGRAM



ELECTRONIC HYGROTHERM



APPLICATION

The Electronic Hygrotherm senses ambient temperature and relative air humidity and adjusts a connected device to maintain temperature and humidity set points.



FEATURES

- Temperature (32-140 F) and humidity (50%-90% RH) adjustment
- High switching capacity
- Optical function displays (LED) in each control
- Mounting clip for 35-mm DIN rail
- Change-over contact (relay)
- Connection: 5-pole terminal for AWG 14 max (2.5-mm square). Clamping torque .5 Nm (4.4 in-lbs) maximum.
- Plastic housing UL94V-0
- Vertical mounting
- Operating voltage is AC 100-240 V with maximum switching capacity of 10 A resistive / 1.6 A inductive at AC 240 V

FINISH

- Light-gray plastic UL94V-0

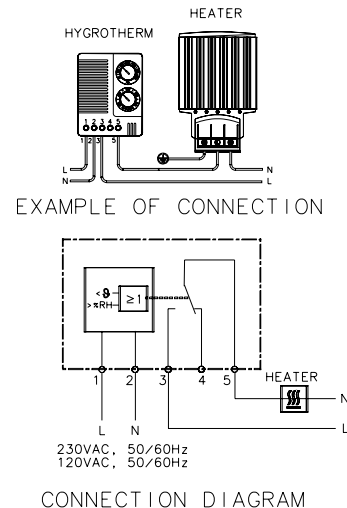
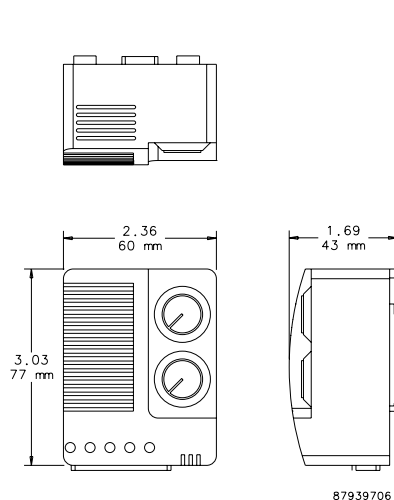
INDUSTRY STANDARDS

cURus; File No. E164102

CE

Performance Data Electronic Hygrotherm

CATALOG NUMBERS	ATEMHUM
ELECTRICAL DATA	
Hysteresis	~ 3.6 F (2K) ± 1.8 F (1K) tolerance
Humidity Set Point (adjustable)	50-90% RH
Temperature Set Point (adjustable) (°F/°C)	32/0 to 140/60
Operating Temperature Range (°F/°C)	-40 to 140/-40 to 60
Storage Temperature (°F/°C)	-40 to 140/-40 to 60
CONTACTS	
3 and 5	
Close at...	humidity rise or temperature drop
Open at...	humidity drop or temperature rise
Use for...	heaters, dehumidifiers, low-temp alarms
4 and 5	
Close at...	humidity drop or temperature rise
Open at...	humidity rise or temperature drop
Use for...	cooling, humidifiers, high-temp alarms
UNIT CONSTRUCTION	
Unit Dimensions - H x W x D (in./mm)	3.03 x 2.36 x 1.69/77 x 60 x 43





INDUSTRY STANDARDS

cURus; File No. E164102

CE

APPLICATION

The Mechanical Hygrostat controls relative air humidity inside an enclosure to prevent condensation and corrosion that can damage components. It can also be connected to an enclosure heater, cooling fans, warning lights or other devices.

The critical relative humidity (RH) level for most components is 65 percent. Above 65 percent RH, condensation can form and cause electrical equipment to malfunction.

FEATURES

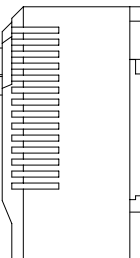
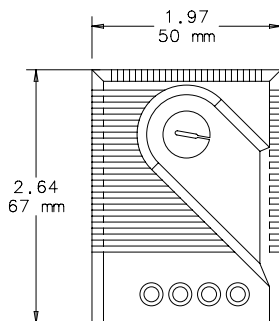
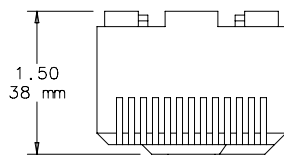
- Adjustable relative humidity range
- High switching capacity
- Long service life (>100,000 cycles)
- Maximum permissible air velocity of 50 ft./sec. (15 m/s)
- Maximum switching voltage = 250 VAC
250 V should be switched only in a non-condensing environment
- Change-over contact
- Mounting clip for 35-mm DIN rail
- Connection: 3-pole terminal for AWG 14 max. (2.5-mm squared)
- Contact resistance less than 10 mΩ

FINISH

- Light-gray plastic, UL94V-0

Performance Data Mechanical Hygrostat

CATALOG NUMBERS	AMHUM
ELECTRICAL DATA	
Switching Capacity (Minimum)	100mA @ AC/DC 20 V
Switching Capacity (Maximum)	5A @ AC 250 V (resistive load) 0.2A @ AC 250 V (inductive load at cos ϕ = 0.8) DC 20W
Operating Temperature Adjustable ($^{\circ}$ F/ $^{\circ}$ C)	32/0 to 140/60
Storage Temperature ($^{\circ}$ F/ $^{\circ}$ C)	-40/-40 to 140/60
UNIT CONSTRUCTION	
Unit Dimensions - H x W x D (in./mm)	2.64 x 1.97 x 1.50/67 x 50 x 38
Weight (oz/g)	2.00/60



87921430



TEMPERATURE CONTROL SWITCH



FEATURES

- Additional label for conversion to Celsius scale and blank label to cover set point range label when adjustment after initial setting is not desired are included
- Bimetal temperature sensor
- Plastic housing
- Connections consist of tubular screw terminals for AWG 14 (.04 sq. in.)
- Provision for both panel mounting and DIN rail mounting



FINISH

- Molded plastic housing is black

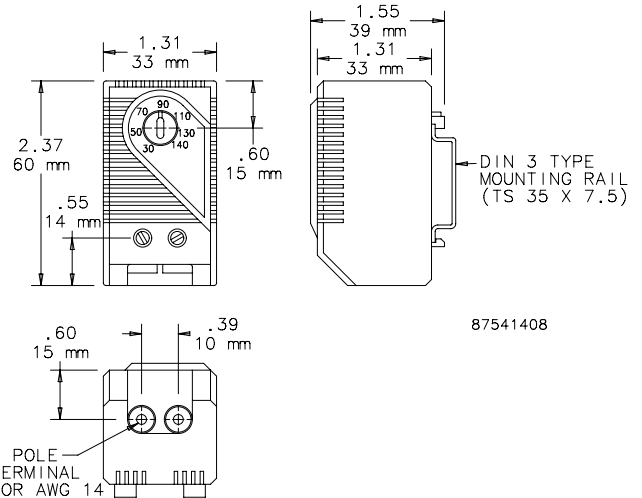
INDUSTRY STANDARDS

cURus; File No. E164102
UL94-VO

Protection rating IEC IP30
CSA Certified, File Number 215952
CE

APPLICATION

These easy-to-install thermostats regulate and monitor air temperature in enclosures that contain heat-emitting equipment. Thermostats prolong heater and fan life expectancy by controlling operation time and increase electrical component working efficiency by exposing them to fewer environmental contaminants.



Performance Data Temperature Control Switch

CATALOG NUMBERS	ATEMNC	ATEMNO
ELECTRICAL DATA		
Maximum Load (Switching Capacity)		
120 VAC	15 A resistive / 2 A inductive @ 120 VAC	
250 VAC	10 A resistive / 2 A inductive @ 250 VAC	
DC	DC 30 W	
Minimum load	20 mA (all voltages)	
Contact Type	NC (normally closed), quick acting	NO (normally open), quick acting
Control Application	Heater	Fan
UNIT CONSTRUCTION		
Unit Dimensions - H x W x D (in./mm)	2.37 x 1.31 x 1.55/60 x 33 x 39	

PANEL-MOUNT FAN SPEED CONTROLS



INDUSTRY STANDARDS

UL 508 Listed; File No. E249700
 cUL Listed per CSA C22.2 No. 14; File No. E249700

APPLICATION

Perfect for offices, classrooms and other noise-sensitive areas. Fan Speed Control optimizes airflow in a cabinet or rack, balancing air volume requirements with noise level and power use.

FEATURES

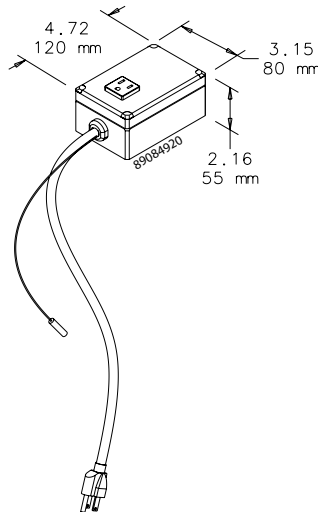
- Automatically adjusts fan speed depending on remote temperature sensor input
- Temperature set point is field adjustable; preset at 35 C (95 F)
- Idle speed and temperature slope are field-adjustable
- Push-to-reset thermal circuit breaker inside control housing
- Compact polycarbonate control housing can be mounted in any position
- NEMA 5-15R outlet provides power to fan
- Six-foot (1.83-m) power cord plugs into standard 120 V, 50 or 60 Hz outlet
- Remote temperature sensor with 10-ft. (3.05-m) lead mounts in airflow
- Mounting brackets included

FINISH

- AFANTSC: Light-gray polycarbonate control housing

Performance Data Panel-Mount Fan Speed Controls

CATALOG NUMBERS	
	AFANTSC
ELECTRICAL DATA	
Rated Voltage	120 VAC
Maximum Nominal Current (Amps)	2
Temperature Settings (°F)	86, 95, 104, 113
Temperature Settings (°C)	30, 35, 40, 45
DESIGN DATA	
Description	Panel-Mount Fan Speed Control
Application	Fan speed controlled automatically with remote temperature sensor



HAZARDOUS LOCATION THERMOSTAT



INDUSTRY STANDARDS

CE
 Conformity Certificate LCIE (Laboratoire Central des Industries Electriques) LCIE 01 ATEX 6074

EEx d IIC T6/II 2 GD, IP6x T85 °C
 IEC 60529, IP65/1 (grounded)

APPLICATION

Compact mechanical thermostat for temperature control of heaters or low-temperature alarms in enclosures that are used in explosion-hazardous areas.



FEATURES

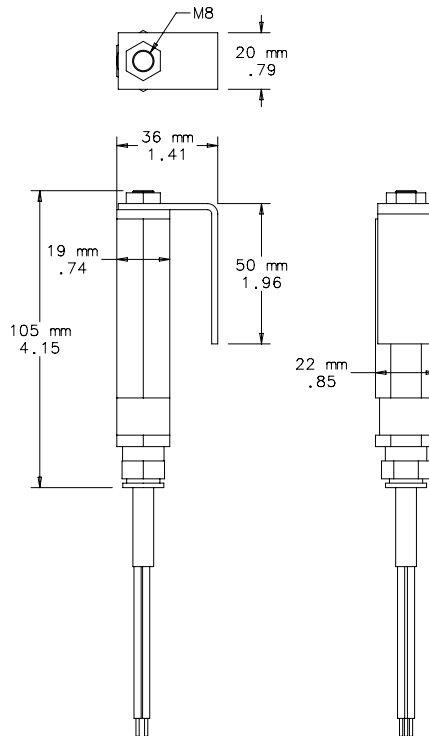
- Compact design
- Set temperature
- High switching capacity
- Small hysteresis (switching difference)
- Long service life (greater than 100,000 cycles)
- Can usually be connected directly and switched without the need for additional relays
- Thermostatic bimetallic sensor element
- One-pole contact opens with rising temperature
- Mounting bracket and DIN clip for mounting
- Connection cable: Si HF - JZ 3 x AWG 18 x 3.3 ft. (0.75 mm² x 1 m)

FINISH

- Black anodized aluminum

Performance Data Hazardous Location Thermostat

CATALOG NUMBERS	
	HLTHERMNC
DESIGN DATA	
Maximum Operating Voltage (AC)	250 V
Maximum Operating Voltage (DC)	100 V
Switching Capacity @ 250 VAC	4A resistive; 1A ind. (cos f = 0.6)
Switch Off (Open) Temperature (°F)	77 +/- 6
Switch Off (Open) Temperature (°C)	25 +/- 3K
Switch On (Closed) Temperature below Switch Off Temperature (°F)	7.2 +/- 2
Switch On (Closed) Temperature below Switch Off Temperature (°C)	4 +/- 1K



87921425





Catalog Number	Catalog Page	Catalog Number	Catalog Page	Catalog Number	Catalog Page
1EB52H115A	357	89136410R	320, 335	AGARD10	351
1EB52H115B	357	89136411R	323, 326, 329, 335	AGARD2	351
1EB52H230A	357	A10AXFN	348, 349	AGARD3	351
1EB52H230B	357	A10AXFN2	348, 349	AGARD4	351
1NB412115	366	A10AXFNPG	348, 349	AGARD6	351
1NB412230	366	A19FANSC	355	AHCI1DV	381
1RB100	364, 365	A19FT3B	354	AHCI10E	381
1RB100M	364, 365	A19FT6B	354	AHCI238S	381
1RB120	364, 365	A2AXFN24	348, 349	AHCI240R	381
1RB120M	364, 365	A3AXFN	348, 349	AHCI5E	381
1RB80	364, 365	A3AXFN24	348, 349	AHCI60R	381
1RB80M	364, 365	A4AXFN	348, 349	AMHUM	394
105G19	370	A4AXFN2	348, 349	ANMV3	372
105H19	370	A4AXFN24	348, 349	ANMV6	372
2EB17H115	353	A4AXFNGQ	348, 349	AOEFG118	346
2EB17H230	353	A4AXFNPG	348, 349	AOFF118	346
2EB300R115	358	A6AXFN	348, 349	AOFILTER	346
2EB300R230	358	A6AXFN2	348, 349	APCDABS	380
2EB3500R115	358	A6AXFN24	348, 349	APCDSS6	380
2EB3500R230	358	A6AXFNGQ	348, 349	ATEMHUM	393
2EB412R115	358	A6AXFNPG	348, 349	ATEMNC	395
2EB412R230	358	ABRKT10	351	ATEMNO	395
2EB512R115	358	ABRKT2	351	AVDR4NM	376
2EB512T115	358	ABRKT3	351	AVDR4SS4	376
2EB612R115	358	ABRKT4	351	AVK23	371
2EB612R230	358	ABRKT6	351	AVK23SS6	371
2NB300115	368	ACORD1	350	AVK33	371
2NB300230	368	ACORD2	350	AVK33SS6	371
2NB3500115	368	ACORD2T	350	AVK34	371
2NB3500230	368	ADB275	362	AVK34SS6	371
2NB412115	368	ADLTEMP	392	AVK43	371
2NB412230	368	AEXGR275	362, 363	AVK43SS6	371
2NB424115	368	AFANTSC	396	AVK44	371
2NB424230	368	AFLT33	371	AVK44SS6	371
2NB512115	368	AFLT34	371	AVK64	371
2NB512230	368	AFLT43	371	AVK64SS6	371
3EB17H115	353	AFLT44	371	AVK66	371
3EB17H230	353	AFLT64	371	AVK66SS6	371
35G19	370	AFLT66	371	AVK812	371
35H19	370	AFLT812	371	AVK812SS6	371
4EB300RT115	360	AFLT84	371	AVK84	371
525H19	370	AFLT86	371	AVK84SS6	371
7G19	370	AFLT88	371	AVK86	371
7H19	370	AFLTAD	373	AVK86SS6	371
875G19	370	AFLTR10	344	AVK88	371
875H19	370	AFLTR10AL	344	AVK88SS6	371
89134423R	311, 335	AFLTR275AL	363	CR230216G002	229
89134424R	314, 335	AFLTR4	344	CR230216G007	229
89134425R	317, 335	AFLTR4AL	344	CR230216G013	229
89134426R	320, 335	AFLTR4LD	350	CR230216G015	229
89134427R	323, 326, 329, 332, 335	AFLTR6	344	CR230216G016	229
89136408R	314, 335	AFLTR6AL	344	CR230216G017	229
89136409R	317, 331, 332, 335	AFLTR6LD	350	CR230226G002	229



Catalog Number	Catalog Page	Catalog Number	Catalog Page	Catalog Number	Catalog Page
CR230226G009	229	CR430816G038	235	G280426G060	37
CR230226G014	229	CR430816GW010	239	G280426G100	37
CR230226G016	229	CR430826G002	235	G280426G101	37
CR230226G030	229	CR430826G007	235	G280426G102	37, 62
CR230226G037	229	CR430826G024	235	G280426G150	37
CR230246G400	229	CR430826G026	235	G280426G151	37
CR290216G002	232	CR430826G037	235	G280426G360	62
CR290216G013	232	CR430826G038	235	G280426G700	62
CR290216G030	232	CR430826G089	235	G280426G800	62
CR290216G035	232	CR430826GW010	239	G280426G802	62
CR290216G036	232	CR430846G401	235	G280446G050	37
CR290226G002	232	DAH1001A	385	G280446G051	37
CR290226G010	232	DAH1002A	385	G280446G060	37
CR290226G020	232	DAH101	382	G280446G100	37
CR290226G030	232	DAH101TS	382	G280446G101	37
CR290226G037	232	DAH13001C	385	G280446G102	37, 62
CR290226G041	232	DAH13002C	385	G280446G360	62
CR290226G045	232	DAH2001A	385	G280446G700	62
CR290226G058	232	DAH2002A	385	G280446G800	62
CR290246G400	232	DAH201TS	382	G280446G802	62
CR290246G401	232	DAH301	382	G280616G050	37
CR290416G002	232	DAH4001B	385	G280616G051	37
CR290416G030	232	DAH4002B	385	G280616G060	37
CR290416G045	232	DAH501TS	382	G280616G100	37
CR290416G047	232	DAH601	382	G280616G101	37
CR290416G052	232	DAH8001B	385	G280616G102	37, 62
CR290416G068	232	DAH8002B	385	G280616G150	37
CR290426G002	232	DAHHL200AC	390	G280616G151	37
CR290426G017	232	DAHHL300AC	390	G280616G360	62
CR290426G022	232	DAHHL4001A	390	G280616G700	62
CR290426G027	232	DAHHL4002A	390	G280616G800	62
CR290426G054	232	DAHHL501AC	389	G280616G802	62
CR290426G061	232	DAHHL6001A	390	G280626G050	37
CR290426G101	232	DAHHL6002A	390	G280626G051	37
CR290446G400	232	DAHHL801AC	389	G280626G060	37
CR430616G002	235	DCG2904248100	305	G280626G100	37
CR430616G004	235	DCG4108548100	305	G280626G101	37
CR430616G013	235	DCT3809448100	305	G280626G102	37, 62
CR430616G016	235	DCT5615048100	305	G280626G150	37
CR430616G031	235	G280416G050	37	G280626G151	37
CR430626G002	235	G280416G051	37	G280626G360	62
CR430626G014	235	G280416G060	37	G280626G700	62
CR430626G018	235	G280416G100	37	G280626G800	62
CR430626G020	235	G280416G101	37	G280626G802	62
CR430626G030	235	G280416G102	37, 62	G280646G050	37
CR430626G034	235	G280416G150	37	G280646G051	37
CR430626G074	235	G280416G151	37	G280646G060	37
CR430646G004	235	G280416G360	62	G280646G100	37
CR430816G002	235	G280416G700	62	G280646G101	37
CR430816G010	235	G280416G800	62	G280646G102	37, 62
CR430816G021	235	G280416G802	62	G280646G360	62
CR430816G023	235	G280426G050	37	G280646G700	62
CR430816G036	235	G280426G051	37	G280646G800	62





Catalog Number	Catalog Page	Catalog Number	Catalog Page	Catalog Number	Catalog Page
G280646G802.....	62	G521226G101.....	47	HF0426414.....	311
G520816G050.....	47	G521226G102.....	47, 72	HF0448413.....	311
G520816G051.....	47	G521226G150.....	47	HF0448414.....	311
G520816G060.....	47	G521226G151.....	47	HF0516413.....	314
G520816G100.....	47	G521226G360.....	72	HF0516414.....	314
G520816G101.....	47	G521226G700.....	72	HF0516513.....	314
G520816G102.....	47, 72	G521226G800.....	72	HF0516514.....	314
G520816G150.....	47	G521226G802.....	72	HF0524413.....	314
G520816G151.....	47	G521246G050.....	47	HF0524414.....	314
G520816G360.....	72	G521246G051.....	47	HF0524513.....	314
G520816G700.....	72	G521246G060.....	47	HF0524514.....	314
G520816G800.....	72	G521246G100.....	47	HF0526413.....	314
G520816G802.....	72	G521246G101.....	47	HF0526414.....	314
G520826G050.....	47	G521246G102.....	47, 72	HF0526513.....	314
G520826G051.....	47	G521246G150.....	47	HF0526514.....	314
G520826G060.....	47	G521246G151.....	47	HF0548413.....	314
G520826G100.....	47	G521246G360.....	72	HF0548414.....	314
G520826G101.....	47	G521246G700.....	72	HF0548513.....	314
G520826G102.....	47, 72	G521246G800.....	72	HF0548514.....	314
G520826G150.....	47	G521246G802.....	72	HF0916413.....	317
G520826G151.....	47	G572026G050.....	54	HF0916414.....	317
G520826G360.....	72	G572026G051.....	54	HF0916513.....	317
G520826G700.....	72	G572026G060.....	54	HF0916514.....	317
G520826G800.....	72	G572026G100.....	54	HF0924413.....	317
G520826G802.....	72	G572026G101.....	54	HF0924414.....	317
G520846G050.....	47	G572026G102.....	54, 79	HF0924513.....	317
G520846G051.....	47	G572026G150.....	54	HF0924514.....	317
G520846G060.....	47	G572026G151.....	54	HF0926413.....	317
G520846G100.....	47	G572026G360.....	79	HF0926414.....	317
G520846G101.....	47	G572026G700.....	79	HF0926513.....	317
G520846G102.....	47, 72	G572026G800.....	79	HF0926514.....	317
G520846G150.....	47	G572026G802.....	79	HF0948413.....	317
G520846G151.....	47	G572046G050.....	54	HF0948414.....	317
G520846G360.....	72	G572046G051.....	54	HF0948513.....	317
G520846G700.....	72	G572046G060.....	54	HF0948514.....	317
G520846G800.....	72	G572046G100.....	54	HF1016413.....	320
G520846G802.....	72	G572046G101.....	54	HF1016414.....	320
G521216G050.....	47	G572046G102.....	54, 79	HF1016513.....	320
G521216G051.....	47	G572046G150.....	54	HF1016514.....	320
G521216G060.....	47	G572046G151.....	54	HF1024413.....	320
G521216G100.....	47	G572046G360.....	79	HF1024414.....	320
G521216G101.....	47	G572046G700.....	79	HF1024513.....	320
G521216G102.....	47, 72	G572046G800.....	79	HF1024514.....	320
G521216G150.....	47	G572046G802.....	79	HF1026413.....	320
G521216G151.....	47	H2OMITTER.....	379	HF1026414.....	320
G521216G360.....	72	HB160816G040.....	226	HF1026513.....	320
G521216G700.....	72	HB160826G040.....	226	HF1026514.....	320
G521216G800.....	72	HB160846G040.....	226	HF1048413.....	320
G521216G802.....	72	HF0416413.....	311	HF1048414.....	320
G521226G050.....	47	HF0416414.....	311	HF1048513.....	320
G521226G051.....	47	HF0424413.....	311	HF1048514.....	320
G521226G060.....	47	HF0424414.....	311	HF1316413.....	323
G521226G100.....	47	HF0426413.....	311	HF1316413R.....	323



Catalog Number	Catalog Page	Catalog Number	Catalog Page	Catalog Number	Catalog Page
HF1316414	323	HG1300404	323, 326, 329, 331, 332	N160116G802	130
HF1316414R	323	HG1300503	323, 326, 329	N160126G050	101
HF1316423	326	HG1300504	323, 326, 329	N160126G051	101
HF1316423R	329	HH05GS35001	334	N160126G060	101
HF1316424	326	HH05GS61001	334	N160126G102	130
HF1316424R	329	HH05MS35004	337	N160126G360	130
HF1316513	323	HH05MS61004	337	N160126G700	130
HF1316513R	323	HH05PS004	339	N160126G800	130
HF1316514	323	HH05RGKSP	339	N160126G802	130
HF1316514R	323	HH05SS04001	334	N170116G010	159
HF1316523	326	HH05SS04004X	337	N170116G020	159
HF1316524	326	HH09MS35004	337	N170126G010	159
HF1324413	323	HH09MS61004	337	N170126G020	159
HF1324414	323	HH09PS004	339	N170146G010	159
HF1324423	326	HH09RGKSP	339	N170146G020	159
HF1324424	326	HH09SS04004X	337	N170216G010	159
HF1324513	323	HH10GS35001	334	N170216G020	159
HF1324514	323	HH10GS61001	334	N170226G010	159
HF1324523	326	HH10MS35004	337	N170226G020	159
HF1324524	326	HH10MS61004	337	N170246G010	159
HF1326413	323	HH10PS004	339	N170246G020	159
HF1326413R	323	HH10RGKSP	339	N210216G050	105
HF1326414	323	HH10SS04001	334	N210216G051	105
HF1326414R	323	HH10SS04004X	337	N210216G060	105
HF1326423	326	HH13GS35001	334	N210216G102	134
HF1326423R	329	HH13GS61001	334	N210216G360	134
HF1326424	326	HH13MS35004	337	N210216G700	134
HF1326424R	329	HH13MS61004	337	N210216G800	134
HF1326513	323	HH13PS004	339	N210216G802	134
HF1326513R	323	HH13RGKSP	339	N210226G050	105
HF1326514	323	HH13SS04001	334	N210226G051	105
HF1326514R	323	HH13SS04004X	337	N210226G060	105
HF1326523	326	HLHEAT100	388	N210226G102	134
HF1326524	326	HLTHERMNC	397	N210226G360	134
HF1348413	323	HLTSTAT10C	390	N210226G700	134
HF1348414	323	HLTSTAT20C	390	N210226G800	134
HF1348513	323	HR1616414	331	N210226G802	134
HF1348514	323	HR1616424	332	N210246G050	105
HG0400403	311	HR1626414	331	N210246G051	105
HG0400404	311	HR1626424	332	N210246G060	105
HG0500403	314	MHB110216G306	223	N210246G102	134
HG0500404	314	MHB110226G306	223	N210246G360	134
HG0500503	314	MHB110246G400	223	N210246G700	134
HG0500504	314	MHB110416G307	224	N210246G800	134
HG0900403	317	MHB110426G306	224	N210246G802	134
HG0900404	317	MHB110446G400	224	N280416G050	111
HG0900503	317	N160116G050	101	N280416G051	111
HG0900504	317	N160116G051	101	N280416G060	111
HG1000403	320	N160116G060	101	N280416G100	111
HG1000404	320	N160116G102	130	N280416G102	111, 140
HG1000503	320	N160116G360	130	N280416G150	111
HG1000504	320	N160116G700	130	N280416G151	111
HG1300403	323, 326, 329	N160116G800	130	N280416G360	140





Catalog Number	Catalog Page	Catalog Number	Catalog Page	Catalog Number	Catalog Page
N280416G700.....	140	N360646G700.....	144	N431226G360.....	152
N280416G800.....	140	N360646G800.....	144	N431226G700.....	152
N280416G802.....	140	N360646G802.....	144	N431226G800.....	152
N280426G050.....	111	N360816G050.....	115	N431246G050.....	123
N280426G051.....	111	N360816G051.....	115	N431246G051.....	123
N280426G060.....	111	N360816G060.....	115	N431246G060.....	123
N280426G100.....	111	N360816G100.....	115	N431246G100.....	123
N280426G102.....	111,140	N360816G102.....	115,144	N431246G102.....	123,152
N280426G150.....	111	N360816G150.....	115	N431246G150.....	123
N280426G151.....	111	N360816G151.....	115	N431246G151.....	123
N280426G360.....	140	N360816G360.....	144	N431246G360.....	152
N280426G700.....	140	N360816G700.....	144	N431246G700.....	152
N280426G800.....	140	N360816G800.....	144	N431246G800.....	152
N280426G802.....	140	N360816G802.....	144	NHZ280416G300.....	167
N280446G050.....	111	N360826G050.....	115	NHZ280416G360.....	167
N280446G051.....	111	N360826G051.....	115	NHZ280416G400.....	167
N280446G060.....	111	N360826G060.....	115	NHZ280416G460.....	167
N280446G100.....	111	N360826G100.....	115	NHZ280416G500.....	167
N280446G102.....	111,140	N360826G102.....	115,144	NHZ280426G300.....	167
N280446G360.....	140	N360826G150.....	115	NHZ280426G360.....	167
N280446G700.....	140	N360826G151.....	115	NHZ280426G400.....	167
N280446G800.....	140	N360826G360.....	144	NHZ280426G460.....	167
N280446G802.....	140	N360826G700.....	144	NHZ280426G500.....	167
N360616G050.....	115	N360826G800.....	144	NHZ280446G300.....	167
N360616G051.....	115	N360826G802.....	144	NHZ280446G360.....	167
N360616G060.....	115	N360846G050.....	115	NHZ280446G400.....	167
N360616G100.....	115	N360846G051.....	115	NHZ280446G460.....	167
N360616G102.....	115,144	N360846G060.....	115	NHZ280446G500.....	167
N360616G150.....	115	N360846G100.....	115	NHZ360616G300.....	171
N360616G151.....	115	N360846G102.....	115,144	NHZ360616G360.....	171
N360616G360.....	144	N360846G150.....	115	NHZ360616G400.....	171
N360616G700.....	144	N360846G151.....	115	NHZ360616G460.....	171
N360616G800.....	144	N360846G360.....	144	NHZ360616G500.....	171
N360616G802.....	144	N360846G700.....	144	NHZ360626G300.....	171
N360626G050.....	115	N360846G800.....	144	NHZ360626G360.....	171
N360626G051.....	115	N360846G802.....	144	NHZ360626G400.....	171
N360626G060.....	115	N431216G050.....	123	NHZ360626G460.....	171
N360626G100.....	115	N431216G051.....	123	NHZ360626G500.....	171
N360626G102.....	115,144	N431216G060.....	123	NHZ360646G300.....	171
N360626G150.....	115	N431216G100.....	123	NHZ360646G360.....	171
N360626G151.....	115	N431216G102.....	123,152	NHZ360646G400.....	171
N360626G360.....	144	N431216G150.....	123	NHZ360646G460.....	171
N360626G700.....	144	N431216G151.....	123	NHZ360646G500.....	171
N360626G800.....	144	N431216G360.....	152	NHZ360816G300.....	171
N360626G802.....	144	N431216G700.....	152	NHZ360816G360.....	171
N360646G050.....	115	N431216G800.....	152	NHZ360816G400.....	171
N360646G051.....	115	N431226G050.....	123	NHZ360816G460.....	171
N360646G060.....	115	N431226G051.....	123	NHZ360816G500.....	171
N360646G100.....	115	N431226G060.....	123	NHZ360826G300.....	171
N360646G102.....	115,144	N431226G100.....	123	NHZ360826G360.....	171
N360646G150.....	115	N431226G102.....	123,152	NHZ360826G400.....	171
N360646G151.....	115	N431226G150.....	123	NHZ360826G460.....	171
N360646G360.....	144	N431226G151.....	123	NHZ360826G500.....	171



Catalog Number	Catalog Page	Catalog Number	Catalog Page	Catalog Number	Catalog Page
NHZ360846G300	171	S101546G050	90	T430626G159	198
NHZ360846G360	171	S101546G060	90	T430646G400	198
NHZ360846G400	171	S162016G050	94	T430816G100	200
NHZ360846G460	171	S162016G060	94	T430816G150	200
NHZ360846G500	171	S162026G050	94	T430816G153	200
NHZ431216G300	179	S162026G060	94	T430826G100	200
NHZ431216G360	179	S162046G050	94	T430826G108	200
NHZ431216G400	179	S162046G060	94	T430826G150	200
NHZ431216G460	179	S162516G050	94	T430846G400	200
NHZ431216G500	179	S162516G060	94	T430846G402	200
NHZ431226G300	179	S162526G050	94	T430846G403	200
NHZ431226G360	179	S162526G060	94	T431016G100	202
NHZ431226G400	179	S162546G050	94	T431016G102	202
NHZ431226G460	179	S162546G060	94	T431016G150	202
NHZ431226G500	179	S164046G050	94	T431016G153	202
NHZ431246G300	179	S164046G060	94	T431026G100	202
NHZ431246G360	179	T10EMC	345	T431026G104	202
NHZ431246G400	179	T150116G100	187	T431026G150	202
NHZ431246G460	179	T150116G120	187	T431026G152	202
NHZ431246G500	179	T150116G150	187	T431046G400	202
PL17N21	184, 185	T150116G151	187	T431046G406	202
PL17N21SS	185	T150116G152	187	T501226G100	205
PLCR23N21	185	T150126G100	187	T501226G125	205
PLCR23N21SS	185	T150126G104	187	T501226G150	205
PLHC52G57	185	T150126G120	187	T501226G156	205
PLHC52T53	185	T150126G150	187	T501246G400	205
PLM13N16	184	T200216G100	190	T501246G401	205
PLM13N17	184	T200216G150	190	T531926G100	208
PLM28G28	185	T200216G155	190	T531926G109	208
PLM28N17	184, 185	T200216G157	190	T531926G150	208
PLM33N28	185	T200226G100	190	T531926G151	208
PLM36N36	185	T200226G103	190	T531946G400	208
PLM52G52	185	T200226G150	190	T6EMC	345
PLT29G28	185	T200226G158	190	T622226G102	213
PPV32B	372	T200246G400	190	T622226G150	213
S060316G050	85	T200246G401	190	T622226G151	213
S060316G060	85	T290416G100	195	T622246G400	213
S060326G050	85	T290416G150	195	T703626G150	216
S060326G060	85	T290416G156	195	T703646G400	216
S060516G050	85	T290416G159	195	T706026G150	219
S060516G060	85	T290426G100	195	T706046G400	219
S060526G050	85	T290426G150	195	TE090624010	283
S060526G060	85	T290426G160	195	TE090624011	283
S101016G050	90	T290426G161	195	TE090624020	283
S101016G060	90	T290446G400	195	TE121024010	285
S101026G050	90	T290446G403	195	TE121024011	285
S101026G060	90	T4EMC	345	TE121024020	285
S101046G050	90	T430616G100	198	TE121048010	285
S101046G060	90	T430616G102	198	TE121048020	285
S101516G050	90	T430616G150	198	TE162024010	287
S101516G060	90	T430626G100	198	TE162024011	287
S101526G050	90	T430626G150	198	TE162024020	287
S101526G060	90	T430626G153	198	TE162048010	287





Catalog Number	Catalog Page	Catalog Number	Catalog Page	Catalog Number	Catalog Page
TE162048020	287	TX231426100	259	WCHE06916002	277
TEC100WCMNM	291	TX231448100	259	WCHE06926002	277
TEC100WCMSS4	291	TX332816100	262	WCHE14916002	279
TEC200WCMNM	291	TX332824100	262	WCHE14926002	279
TEC200WCMSS4	291	TX332826100	262	XPV32	372
TEC24VCNTRLN	290	TX332848100	262	XR200416012	243
TEC48VCNTRLN	290	TX385616100	265	XR200426012	243
TEC60WCMNM	291	TX385624100	265	XR290816012	245
TEC60WCMSS4	291	TX385626100	265	XR290826012	245
TEP10	343, 344, 345	TX385648100	265	XR291816012	247
TEP10SS	343, 344	TX528316100	268	XR291826012	247
TEP10UL12	343, 344	TX528324100	268	XR472416012	249
TEP4	341, 344, 345	TX528326100	268	XR472426012	249
TEP4SS	341, 344	TX528348100	268	XR473516012	251
TEP4UL12	341, 344	UEB17H115	353	XR473526012	251
TEP6	342, 344, 345	UEB17H230	353	XR605516012	253
TEP6SS	342, 344	UEB17H24	353	XR605526012	253
TEP6UL12	342, 344	VA0916012	297	XR608416012	255
TFLT10UL12	344	VA091604X	296	XR608426012	255
TFLT4UL12	344	VA1516012	297		
TFLT6UL12	344	VA151604X	296		
TFP101	343, 345	VA2516012	297		
TFP101SS	343	VA251604X	296		
TFP101UL12	343	VA5016012	297		
TFP102	343, 345	VA501604X	296		
TFP102SS	343	VAAF15	300		
TFP102UL12	343	VAAF25	300		
TFP41	341, 345	VAAF50	300		
TFP41SS	341	VADK124X	300		
TFP41UL12	341	VAGK09	300		
TFP42	341, 345	VAGK15	300		
TFP42SS	341	VAGK25	300		
TFP42UL12	341	VC0416012	293		
TFP424	341	VC0916004	293		
TFP61	342, 345	VC0916012	293		
TFP61SS	342	VC091604X	293		
TFP61UL12	342	VC1516012	293		
TFP62	342, 345	VC1716004	293		
TFP62SS	342	VC171604X	293		
TFP62UL12	342	VC2516004	293		
TFP624	342	VC2516012	293		
TG10B	344	VC251604X	293		
TG10SS	344	VCOF17	300		
TG4B	344	VCOF25	300		
TG4SS	344	VHL09160	298		
TG6B	344	VHL15160	298		
TG6SS	344	VHL25160	298		
THERM16C	311, 314, 317, 320, 323, 326, 329, 331, 332, 391	VHL50160	298		
THERM16F	311, 314, 317, 320, 323, 326, 329, 331, 332, 391	VHLDK	300		
THERM26C	311, 314, 317, 320, 323, 326, 329, 331, 332, 391	WCHE01916002	273		
THERM26F	311, 314, 317, 320, 323, 326, 329, 331, 332, 391	WCHE01926002	273		
TX231416100	259	WCHE04916002	275		
TX231424100	259	WCHE04926002	275		



Catalog Number	Catalog Page	Catalog Number	Catalog Page	Catalog Number	Catalog Page
19-in. Rack-Mountable Tray.....	354	Heat Exchanger Cooling Capacity Overview.....	19	TFP Exhaust Grilles.....	344
Air Conditioner Cooling Capacity Overview.....	16	Heat Ruins Electrical Equipment.....	12	TFP Optional Grilles and Replacement Filters.....	344
Airflow.....	24	HF Replacement Filters.....	335	TFP Side-Mount Fans.....	340
Airflow Design Options.....	23	HF Side-Mount Filter Fans.....	310	The Consequences of Damaging Heat.....	12
CE.....	30	How is Performance Characterized?.....	22	Thermoelectric Condensate Manager.....	291
Centrifugal Blowers.....	366	HR Top-Mount Filter Fans.....	330	Thermoelectric Coolers Indoor/Outdoor.....	282
Choosing an Air Mover.....	24	Industrial Corrosion Inhibitors.....	381	Thermoelectric Temperature Controller.....	290
CLIMAGUARD Air-to-Air Indoor.....	242	Introduction.....	15, 21	Thermostat Controller.....	391
CLIMAGUARD Air-to-Air Outdoor.....	258	Louver Plate Kit Filters.....	371	Touch-Safe Heaters.....	382
CLIMAGUARD Air-to-Water Indoor.....	272	Louver Plate Kits.....	371	Trend Toward More Damaging Heat.....	12
Compact Axial Fans.....	348	Mechanical Hygrostat.....	394	T-SERIES Compact Outdoor.....	186
Conductive Enclosure Cooling.....	13	Panel-Mount Fan Speed Controls.....	396	T-SERIES Large Capacity Outdoor.....	212
DACS Outdoor.....	304	Part A: Determine Internal Heat Load.....	16	T-SERIES Mid-size Outdoor.....	194
Determine Heat Exchanger Capacity.....	20	Part B: Determining Heat Transfer Load Overview.....	17	Ventilator.....	372
Determine Heat Transfer.....	19	Power Input.....	24	Vent Kit.....	372
Determine Internal Heat Load.....	19	Pressure Compensation.....	380	Vortex A/C Enclosure Coolers, Hazardous Location.....	298
Determine Total Heat Load.....	18	PROAIR Harsh Environment.....	228	Vortex Cooling Air Filters.....	300
Dual Thermostat.....	392	Protection Levels.....	31	Vortex Cooling Generator Kits.....	300
EAC.....	30	Quiet Vortex A/C Enclosure Coolers, Type 4/4X/12.....	295	Vortex Cooling Oil Filters.....	300
EASY SWAP Adaptor Plenums For Air Conditioners.....	184	Rack-Mountable Assemblies.....	352	Vortex Cooling VA Series Air Ducting.....	300
Electric Heaters.....	384	Rack-Mountable Blowers.....	356	Vortex Cooling VHL Series Air Ducting.....	300
Electronic Hygrotherm.....	393	Rack-Mountable Fan Package.....	362	Water-Cooled Indoor/Outdoor.....	238
Enclosure Protection.....	24	Rack-Mount Fan Speed Control.....	355	What Are the Capabilities of Each Air Mover?.....	22
Equation Method.....	18	Remote Access Control (RAC).....	33	What Is Airflow?.....	21
Exhaust Grilles and Replacement Filters.....	363	SCCR Requirements per UL (Condensed version).....	32	What Is Static Pressure?.....	21
Fan Brackets.....	351	Sealed Enclosure Cooling.....	13	Why Cool Electrical Equipment in the First Place?.....	12
Fan Cords.....	350	Sealed vs. Fresh Air Enclosure Cooling.....	14		
Fan Cords With Inline Thermostat.....	350	Semiconductor Heaters.....	382		
Fan Filter and Finger Guard Kit.....	350	Simple Chart Method.....	17		
Filter Adhesive.....	373	Sources of Heat.....	12		
Filter Box Fans.....	364	SPECTRACOOL Compact Indoor.....	158		
Filter Fan Shrouds, Type 3R.....	334	SPECTRACOOL Hazardous Location Indoor/Outdoor.....	166		
Filter Fan Shrouds, Type 4/4X.....	336	SPECTRACOOL Indoor/Outdoor.....	36		
Filter Fan Shroud, Type 4/4X Pest Screens.....	339	SPECTRACOOL Narrow Compact Indoor.....	100		
Filter Fan Shroud, Type 4/4X Replacement Gasket.....	339	SPECTRACOOL Narrow Indoor/Outdoor.....	110		
Filter Grille Panel.....	370	SPECTRACOOL Slim Fit Indoor.....	84		
Finger Guards.....	351	Stainless Steel Pressure Compensation.....	380		
Fresh Air Enclosure Cooling.....	13	Standards Organization Summary and Directory Overview.....	30		
Friendly Reminder.....	27	Step 1. Determine Delta-T (ΔT).....	25		
GENESIS Top-Mount Indoor.....	222	Step 2. Determine Internal Heat Load.....	25		
H2OMIT Thermoelectric Dehumidifier.....	378	Step 3. Determine Free Airflow.....	26		
H2OMIT Vent Drains.....	376	Step 4. Estimate System Impedance.....	27		
Hazardous Location Heater, ATEX.....	388	Step 5. Select Your Air Mover.....	27		
Hazardous Location Heaters and Thermostats.....	389	Temperature Control Switch.....	395		
Hazardous Location Thermostat.....	397	TFP EMC Upgrade Kit.....	345		



Notes



Notes



Notes



North America

Minneapolis, MN Tel: +1.763.421.2240

Mexico, D.F. Tel +52.55.5280.1449

Toronto, Canada Tel: +1.416.289.2770

South America

Sao Paulo, Brazil Tel: +55.11.5184.2100

Boitura, Brazil Tel: +55.15.3363.9148

Europe

Betschdorf, France Tel: +33.3.88.90.64.90

Straubenhardt, Germany Tel: +49.7082.794.0

Dzierzoniow, Poland Tel: +48.74.64.63.900

Lainate, Italy Tel: +39.02.932.7141

Middle East & India

Dubai, United Arab Emirates Tel: +971.4.378.1700

Bangalore, India Tel: +91.80.6715.2001

Asia

Shanghai, P.R. China Tel: +86.21.2412.6943

Singapore Tel: +65.6768.5800

Shin-Yokohama, Japan Tel: +81.45.476.0271

Seoul, Korea Tel: +82.2.2129.7755

Qingdao Tel: +86.532.8771.6101

Our powerful portfolio of brands:

CADDY ERICO HOFFMAN RAYCHEM SCHROFF TRACER



[nVent.com/HOFFMAN](https://www.nVent.com/HOFFMAN)