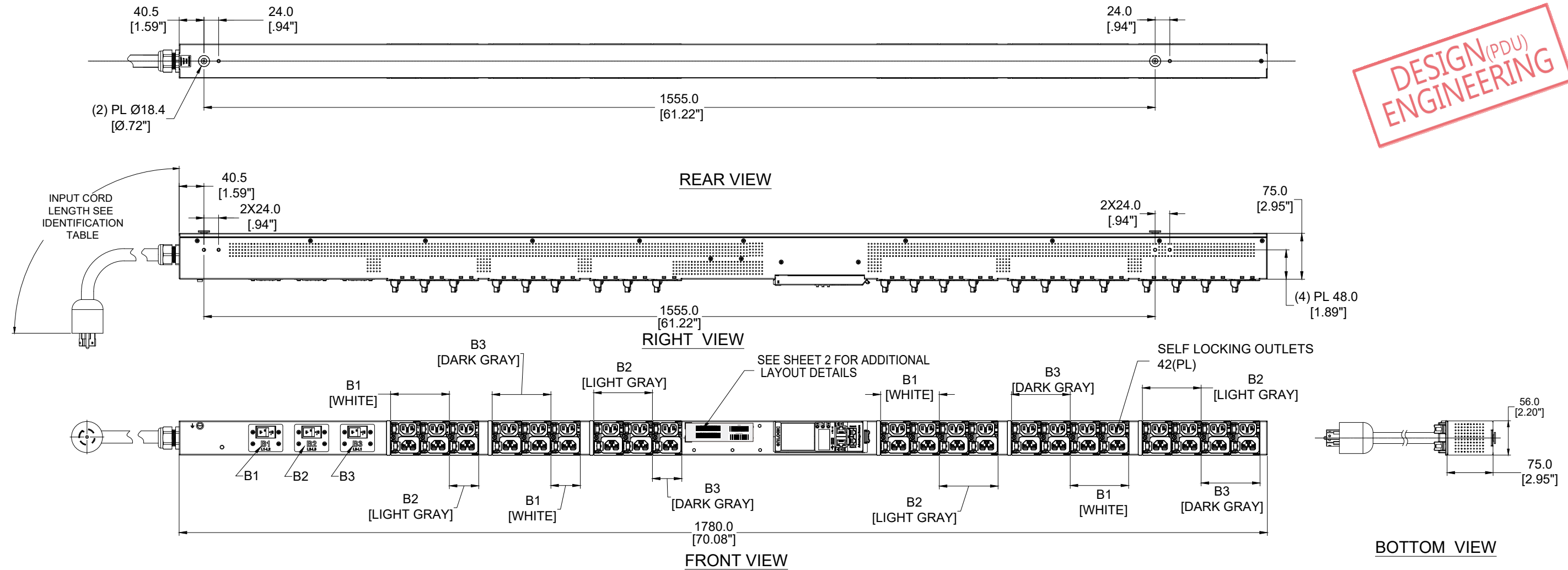


DESIGN^(PDU) ENGINEERING



TECHNICAL SPECIFICATIONS	
UNIT TYPE:	MONITORED SWITCHED
ORIENTATION:	VERTICAL, 0U FULL
OUTLET QTY & TYPE:	(21)C13/C15 LOCKING, (21)C13/C15/C19 LOCKING
INPUT VOLTAGE:	208VAC
INPUT CURRENT:	30A(24A DERATED)
BREAKER QTY & TYPE:	(3) 20AMP, DOUBLE-POLE, .5KA
INPUT PHASE:	THREE-PHASE, WYE/DELTA
RATED POWER:	8.6 kVA
INPUT PLUG:	SEE NOTE 7
INPUT POWER CORD:	SEE IDENTIFICATION TABLE
FEATURES	
METERING ACCURACY	+/-1% TO ISO/ IEC 62052-21
METERING ATTRIBUTES	VOLTAGE(V), CURRENT(A), APPARENT POWER(kVA), REAL POWER(kW), POWER FACTOR, ENERGY(kWh)
METERED COMPONENTS	INPUT(PHASE), CIRCUIT BREAKERS
REMOTE OUTLET SWITCHING	YES
ENVIRONMENTAL CONDITIONS	
OPERATING TEMPERATURE	-5 TO 60 C (23 TO 140 F)
STORAGE TEMPERATURE	-20 TO 60 C (-4 TO 140 F)
HUMIDITY (OPERATING/STORAGE)	5-90% RH / 5-95% RH; NON-CONDENSING
MAX OPERATING ELEVATION, ABOVE MSL	3000M(9840FT)
COMPLIANCE	
SAFETY&ENVIRONMENTAL	RoHS COMPLIANT

IDENTIFICATION TABLE	EN2881-*	* INPUT PLUG	* CHASSIS COLOR	* CORD OPTION	* ORIENTATION
MODEL IS SHOWN IN DEFAULT CONFIGURATION. FOR OPTIONAL CONFIGURATIONS, USE ITEM IDENTIFIER CODE IN PLACE OF EACH ASTERISK. ORDERABLE BASED ON FORMAT: EN2881-****	(DEFAULT) L21-30P=0	(DEFAULT) BLACK = 0 BLUE = B RED = R GREEN = G WHITE = W YELLOW = Y	(DEFAULT) 1.8m [6'] = 0 1m [3.2'] = 1 2m [6.6'] = 2 3m [10'] = 3	(DEFAULT) TOP FEED = 0 BOTTOM FEED = 2	
OPTIONS LISTED ON THIS ROW ARE NON STANDARD, CONTACT SALES FOR ADDITIONAL INFORMATION	(OPTIONAL) L15-30P=S		ORANGE = A	0.5m [1.6'] = A 1.2m [4'] = G 1.5m [4.9'] = B 1.8m [6'] = F 2.5m [8.2'] = C	

- NOTES :**
- INSTALLATION SHALL COMPLY WITH ALL APPLICABLE NATIONAL, STATE AND LOCAL CODES.
 - PRIMARY DIMENSIONS ARE IN MILLIMETERS. SECONDARY DIMENSIONS ARE IN [INCHES]
 - UNIVERSAL MOUNTING BRACKET IS AN ALTERNATIVE MOUNTING METHOD TO THE TOOLLESS MOUNT FOR 3RD PARTY ENCLOSURES. BRACKET IS PROVIDED WITH THE UNIT.
 - DETAILED INSTALLATION INSTRUCTIONS CAN BE FOUND IN THE QUICK START GUIDE
 - CONNECT EXTERNAL EARTH GROUND TO THE 10-32 SIZE THREADED NUT
 - SEE PRODUCT DOCUMENTATION FOR FURTHER INFORMATION
 - INPUT PLUG CONFIGURATION (SEE IDENTIFICATION TABLE) FOR DUAL-RATED UNITS, NEMA PLUGS ARE NAM RATED ONLY AND CAPTIVE AUS/NZ PLUGS ARE EMEA RATED ONLY

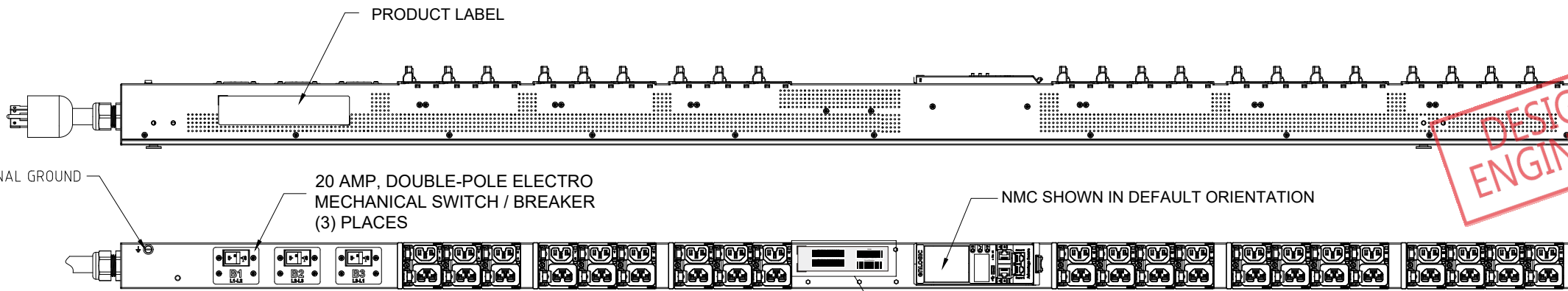
ECN/ECO	REV.	DESCRIPTION	DATE	APPROVED
PEC-2306-0034	E2	Add PRODUCT LABEL FOR L21	2023/04/11	LRF
	E1	INITIAL DRAFT REVIEW	2023/04/11	LRF

THIS DRAWING AND SPECIFICATIONS HEREIN ARE THE PROPERTY OF CIS GLOBAL AND SHALL NOT BE COPIED, REPRODUCED OR USED IN WHOLE OR IN PART, AS THE BASIS FOR THE MANUFACTURE OR SALE OF ITEMS WITHOUT WRITTEN PERMISSION FROM CIS GLOBAL. THIS DRAWING IS BASED UPON LATEST AVAILABLE INFORMATION AND IS SUBJECT TO CHANGE WITHOUT NOTICE

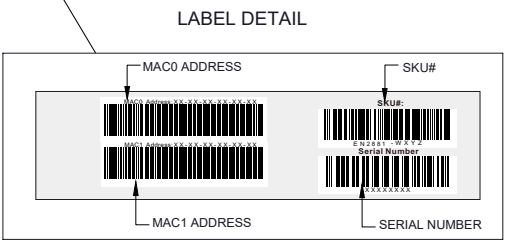
REVISIONS		PART NO:		REV.
TITLE : Advantage Series Metered Switched		EN2881-WXYZ_DA		E2
PROJECT : enLOGIC		DRAWN BY: LRF		2023/04/11
		ENGINEER: LJB		2023/06/15
		APPROVED BY: Hanson		2023/06/15
		SCALE : N/A		SHEET 1 OF 3
				SIZE: A3

UNLESS NOTED, DIMENSIONS ARE IN MILLIMETERS & TOLERANCES ARE:
 X ±1 MM X° ±1°
 X.X ±0.5 MM X.X° ±0.5°
 X ±0.20 MM
 Ø X.X ±0.3 MM
 Ø X.XX ±0.10 MM

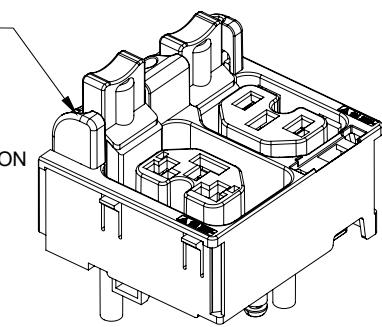
BRACKETED DIMENSIONS ARE IN INCHES FOR REFERENCE ONLY
 THRID ANGLE PROJECTION
 INTERPRET PER ASME Y14.5M-1994



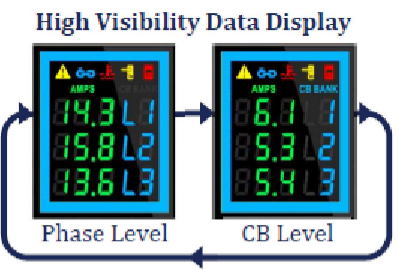
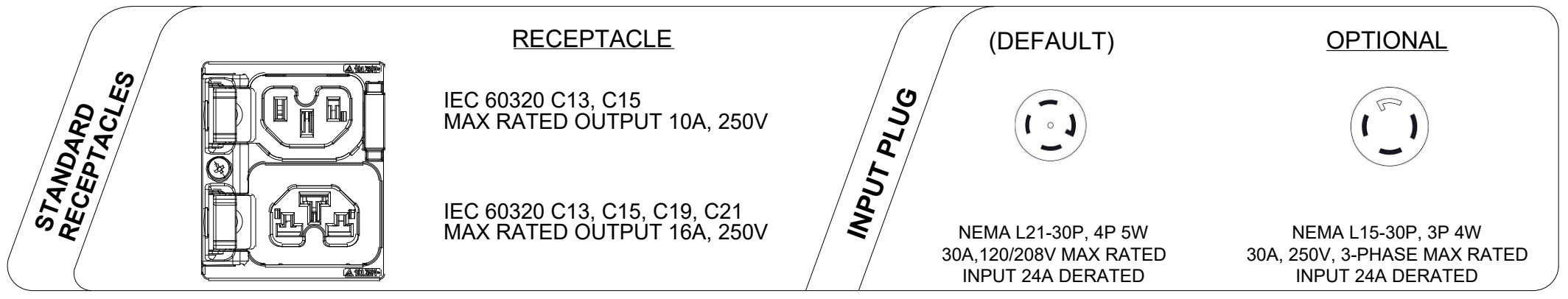
DESIGN (PDU) ENGINEERING



FULLY DEPRESS RELEASE BUTTON PRIOR TO INSTALLING PLUG FOR EASIEST INSTALL
(PLUG CAN ALSO BE INSERTED WITHOUT DEPRESSING RELEASE BUTTON)
TO UNLOCK, FULLY DEPRESS RELEASE BUTTON AND REMOVE PLUG

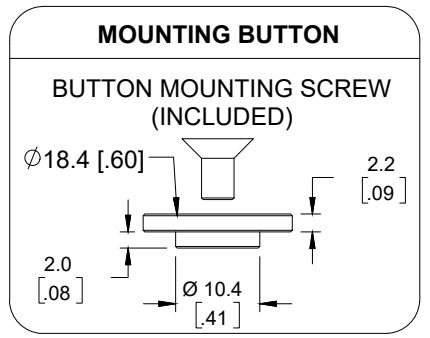


LOCKING COMBO OUTLET



- Critical Alarm Alerts**
 - ▲ PDU Alarm
 - Cascade Error
 - Environmental Alarm
 - Security Alarm
 - Circuit Breaker Alarm
- Source Color Coding (User Selected Option)**
- User Interactive Display (for setup and detailed information)**
- 10/100 Ethernet Port (for redundancy and Ethernet cascading)**
- Digital Sensor Port 2**

- USB-C (upgrades, connectivity, and future-proof expansion)**
- 10/100/Gigabit Ethernet Port (primary network port)**
- Digital Sensor Port 1 (supports up to 8 physical sensors)**



NOTES :
1. INSTALLATION SHALL COMPLY WITH ALL APPLICABLE NATIONAL, STATE AND LOCAL CODES.
2. SEE PRODUCT DOCUMENTATION FOR FURTHER INFORMATION

	Advantage Series Metered Switched	UNLESS NOTED, DIMENSIONS ARE IN MILLIMETERS & TOLERANCES ARE: X ±1 MM X° ±1° X.X ±0.5 MM X.X° ±0.5° X ±0.20 MM Ø X.X ±0.3 MM Ø X.XX ±0.10 MM BRACKETED DIMENSIONS ARE IN INCHES FOR REFERENCE ONLY THRID ANGLE PROJECTION INTERPRET PER ASME Y14.5M-1994	PART NO: EN2881-WXYZ_DA	REV.: E2	
	THIS DRAWING AND SPECIFICATIONS HEREIN ARE THE PROPERTY OF CIS GLOBAL AND SHALL NOT BE COPIED, REPRODUCED OR USED IN WHOLE OR IN PART, AS THE BASIS FOR THE MANUFACTURE OR SALE OF ITEMS WITHOUT WRITTEN PERMISSION FROM CIS GLOBAL. THIS DRAWING IS BASED UPON LATEST AVAILABLE INFORMATION AND IS SUBJECT TO CHANGE WITHOUT NOTICE		PROJECT : enLOGIC	DRAWN BY: LRF ENGINEER: LJB APPROVED BY: Hanson	2023/04/11 2023/06/15 2023/06/15
			SCALE : N/A	SHEET 2 OF 3	SIZE: A3

enLOGIC RACK Power Distribution Unit Metered Switched Made In XXXXX

SKU #: EN2881-0XYZ
 Model #: EP126024-0071-L
 INPUT: 100-120/200-240VAC, WYE, 3PHASE, 50/60Hz, 24A
 OUTPUT: C13/C15 LOCKING; 200-240VAC, 10A per outlet
 C13/C15/C19 LOCKING; 200-240VAC, 16A max per outlet
 24A Total

MAC0 Address:XX-XX-XX-XX-XX-XX
 MAC1 Address:XX-XX-XX-XX-XX-XX

FC, SP US 300805, 50

SKU#: EN2881-0XYZ
 Serial Number: XXXXXXXXXX

THIS DEVICE COMPLIES WITH PART 15 OF THE FCC RULES. OPERATION IS SUBJECT TO THE FOLLOWING TWO CONDITIONS: (1) THIS DEVICE MAY NOT CAUSE HARMFUL INTERFERENCE, AND (2) THIS DEVICE MUST ACCEPT ANY INTERFERENCE RECEIVED, INCLUDING INTERFERENCE THAT MAY CAUSE UNDESIRABLE OPERATION. CAN ICES-3(A)/NMB-3(A)

enLOGIC RACK Power Distribution Unit Metered Switched Made In XXXXX

SKU #: EN2881-SXYZ
 Model #: EP124024-0071-L
 INPUT: 200-240VAC, DELTA, 3PHASE, 50/60Hz, 24A
 OUTPUT: C13/C15 LOCKING; 200-240VAC, 10A per outlet
 C13/C15/C19 LOCKING; 200-240VAC, 16A max per outlet
 24A Total

MAC0 Address:XX-XX-XX-XX-XX-XX
 MAC1 Address:XX-XX-XX-XX-XX-XX

FC, SP US 300805, 50

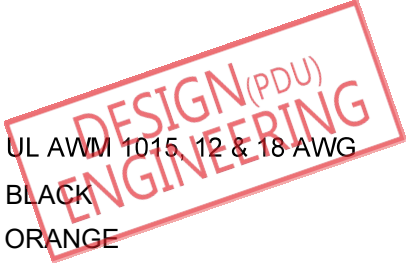
SKU#: EN2881-SXYZ
 Serial Number: XXXXXXXXXX

THIS DEVICE COMPLIES WITH PART 15 OF THE FCC RULES. OPERATION IS SUBJECT TO THE FOLLOWING TWO CONDITIONS: (1) THIS DEVICE MAY NOT CAUSE HARMFUL INTERFERENCE, AND (2) THIS DEVICE MUST ACCEPT ANY INTERFERENCE RECEIVED, INCLUDING INTERFERENCE THAT MAY CAUSE UNDESIRABLE OPERATION. CAN ICES-3(A)/NMB-3(A)

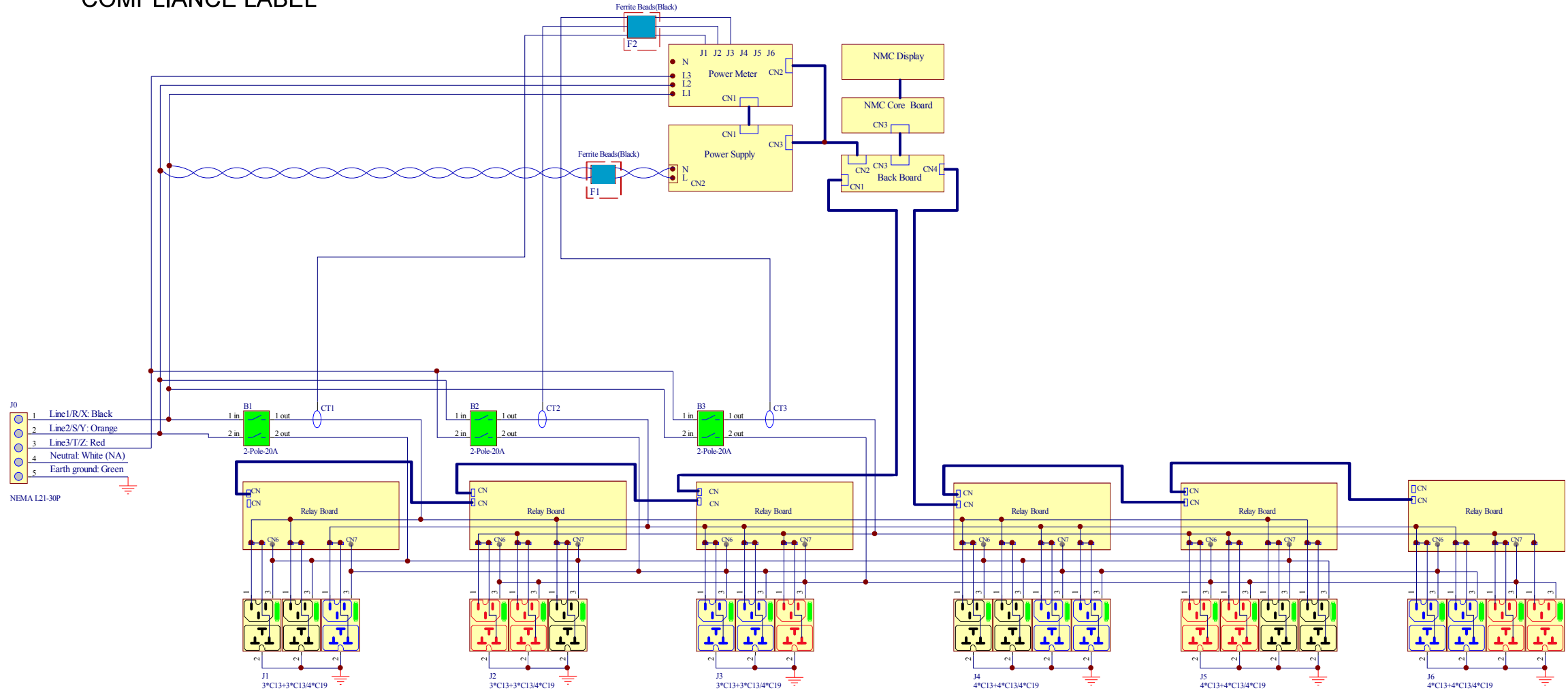
Input Plug: L21-30P

Input Plug: L15-30P

- NOTES:
- INTERNAL WIRING WIRE TYPE: UL AWM 1015, 12 & 18 AWG
 - FOR FINISHED GOOD PART NUMBER SEE IDENTIFICATION
- LINE 1/R/X COLOR: BLACK
 LINE 2/S/Y COLOR: ORANGE
 LINE 3/T/Z COLOR: RED
 NEUTRAL COLOR: WHITE(NA)
 EARTH GROUND COLOR: GREEN



COMPLIANCE LABEL



INTERNAL WIRING SCHEMATIC DIAGRAM

- NOTES:
- INSTALLATION SHALL COMPLY WITH ALL APPLICABLE NATIONAL, STATE AND LOCAL CODES.
 - SEE PRODUCT DOCUMENTATION FOR FURTHER INFORMATION.
 - THIS DRAWING DEPICTS THE POWER SYSTEM CONNECTIONS AND IS NOT REPRESENTATIVE OF THE PHYSICAL LAYOUT. PLEASE REFER TO MECHANICAL DRAWINGS FOR PHYSICAL LAYOUT.

enLOGIC by nVent

THIS DRAWING AND SPECIFICATIONS HEREIN ARE THE PROPERTY OF CIS GLOBAL AND SHALL NOT BE COPIED, REPRODUCED OR USED IN WHOLE OR IN PART, AS THE BASIS FOR THE MANUFACTURE OR SALE OF ITEMS WITHOUT WRITTEN PERMISSION FROM CIS GLOBAL. THIS DRAWING IS BASED UPON LATEST AVAILABLE INFORMATION AND IS SUBJECT TO CHANGE WITHOUT NOTICE

TITLE : Advantage Series Metered Switched

PROJECT : enLOGIC

UNLESS NOTED, DIMENSIONS ARE IN MILLIMETERS & TOLERANCES ARE:

X	±1 MM	X°	±1°
X.X	±0.5 MM	X.X°	±0.5°
X	±0.20 MM		
Ø X.X	±0.3 MM		
Ø X.XX	±0.10 MM		

BRACKETED DIMENSIONS ARE IN INCHES FOR REFERENCE ONLY

THIRD ANGLE PROJECTION

INTERPRET PER ASME Y14.5M-1994

PART NO:	EN2881-WXYZ_DA	REV.	E2
DRAWN BY:	LRF	DATE:	2023/04/11
ENGINEER:	LJB	DATE:	2023/06/15
APPROVED BY:	Hanson	DATE:	2023/06/15
SCALE :	N/A	SHEET	3 OF 3
		SIZE:	A3