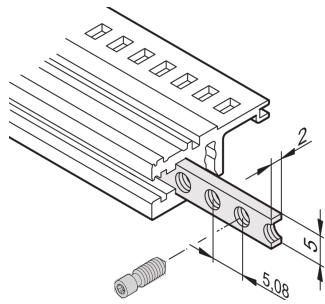


HORIZONTAL RAILS THREADED INSERT, M2.5



The threaded insert is a metal strip with thread M2.5 and allows the fixing of front panels.

CERTIFICATIONS



FEATURES

The collar screws used for fixing partial-width front panels must be 12.3 mm long

Usable for all horizontal rails

SPECIFICATIONS

Table 1/2

Catalog Number	Rack Width	Package Quantity	Product Type	Product Family	Works With	Material
34561-320	20 HP	1	Threaded Insert	EuropacPRO, RatiopacPRO, RatiopacPRO AIR, CompacPRO, PropacPRO, Inpac	Subracks, Cases	Steel

Catalog Number	Rack Width	Package Quantity	ProductType	Product Family	Works With	Material
34565-196	196 HP	1	Threaded Insert	EuropacPRO, RatiopacPRO, RatiopacPRO AIR, CompacPRO, PropacPRO, Inpac	Subracks, Cases	Steel
34561-340	40 HP	1	Threaded Insert	EuropacPRO, RatiopacPRO, RatiopacPRO AIR, CompacPRO, PropacPRO, Inpac	Subracks, Cases	Steel

Table 2/2

Catalog Number	Length
34561-320	106.18 mm
34565-196	1000.26 mm
34561-340	207.78 mm

ADDITIONAL PRODUCT DETAILS

Please take into consideration that deliveries may be carried out in the stated SPQs (SPQ, e.g. 5 pieces, 10 pieces, 50 pieces, etc.). Differing order quantities (e.g. 2 pieces) may be changed to the next possible delivery quantity = Standard Pack Quantity.

WARNING

nVent products shall be installed and used only as indicated in nVent's product instruction sheets and training materials. Instruction sheets are available at www.nvent.com and from your nVent customer service representative. Improper installation, misuse, misapplication or other failure to completely follow nVent's instructions and warnings may cause product malfunction, property damage, serious bodily injury and death and/or void your warranty.



Our powerful portfolio of brands:
nVent.com CADDY ERICO HOFFMAN RAYCHEM SCHROFF
TRACER