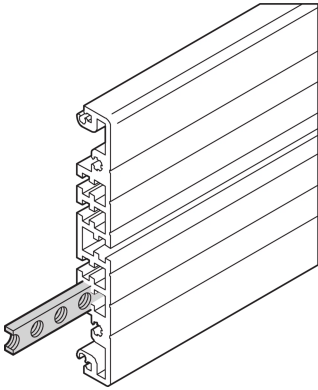


# MULTIPACPRO THREADED INSERT M3 FOR EXTRUDED SIDE PANEL



Adapter / Mounting opportunity for fixing of any compents with M3 screws. The threaded insert is slid into the groove of the inside of the side panel.

## CERTIFICATIONS



## FEATURES

Threaded insert M3 for extruded side panel

## SPECIFICATIONS

Table 1/1

Catalog Number	Rack Width	Package Quantity	Product Type	Product Family	Works With
30821-589	84 HP	1	Threaded Insert	MultipacPRO	Chassis

## WARNING

nVent products shall be installed and used only as indicated in nVent's product instruction sheets and training materials. Instruction sheets are available at [www.nvent.com](http://www.nvent.com) and from your nVent customer service representative. Improper installation, misuse, misapplication or other failure to completely follow nVent's instructions and warnings may cause product malfunction, property damage, serious bodily injury and death and/or void your warranty.



Our powerful portfolio of brands:  
**nVent.com CADDY ERICO HOFFMAN RAYCHEM SCHROFF**  
**TRACER**