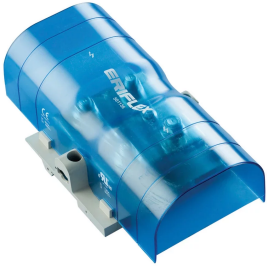


# SBLL-800 LUG-TO-LUG POWER TERMINAL



## CERTIFICATIONS



## FEATURES

- Tinned copper block allows for copper or aluminum conductor connections
- Accessible studs allow for easy connection of sections of nVent ERIFLEX Flexibar or other conductors
- Design allows for visual inspection of conductor and confirmation of connection
- Adjustable transparent cover
- Modular snap-together blocks for building multi-pole power blocks
- Easily clips onto DIN rail or mounts to panel with screws
- SBLEC Power Terminals Fixing Accessory required for direct panel mount
- RoHS compliant
- Halogen free

## SPECIFICATIONS

Table 1/5

Catalog Number	Article Number	Finish	Max Current Rating, IEC	Max Current Rating, UL/CSA	Short Circuit Current Rating (SCCR)	Peak Short Circuit Current (I <sub>pk</sub> )

SBLL-800	561136	Tinned	1250A	800A	100kA	75kA
----------	--------	--------	-------	------	-------	------

Table 2/5

Catalog Number	Article Number	Material	Number of Stud Connections	Stud Connection Conductor Width	Short Term Withstand Current (Icw) 1s	Stud Connection Wire Size
SBLL-800	561136	Copper, Thermoplastic	4	(2) 20 – 40 mm, (1) 50 – 80 mm	57.6kA	(2) #4 - 500 kcmil

Table 3/5

Catalog Number	Article Number	Stud Connection Compact Stranded Wire Size	Max Working Voltage, IEC (Ui)	Max Working Voltage, UL (Vin)	Height (H)	Width (W)
SBLL-800	561136	(2) 25 – 300 mm <sup>2</sup>	1000, 1500	1000	205.7mm	115mm

Table 4/5

Catalog Number	Article Number	Depth (D)	A	Unit Weight	Flammability Rating	Certification Details
SBLL-800	561136	75mm	108mm	0.7kg	UL® 94V-1	UL® 1059

Table 5/5

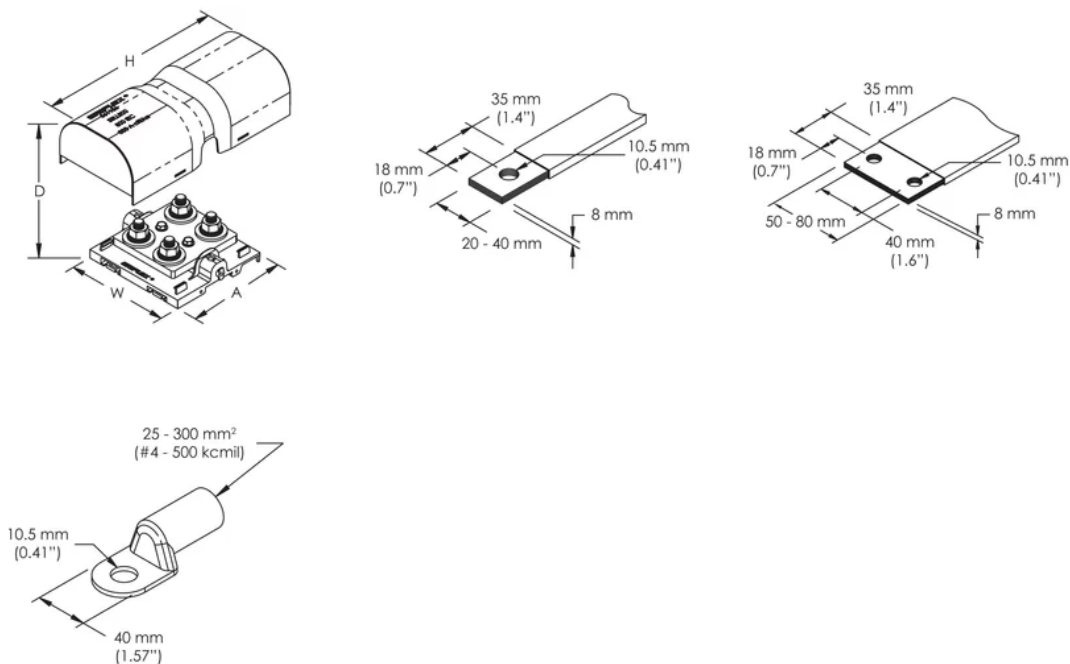
Catalog Number	Article Number	Complies With
SBLL-800	561136	IEC® 60947-7-1

## ADDITIONAL PRODUCT DETAILS

Power terminal connections are interchangeable and can be used as line side or load side connections.

Design Guideline for Distribution Blocks, Power Blocks and Power Terminals										
Derating according to Ambient* Temperature (°C) to maintain working temperature of 85°C										
Ambient Temperature (°C)	30°	35°	40°	45°	50°	55°	60°	65°	70°	75°
Derating Coefficient (d)	1	1	1	0.94	0.88	0.82	0.75	0.67	0.58	0.47
*environment around the terminal blocks inside the enclosure										

## DIAGRAMS



## WARNING

nVent products shall be installed and used only as indicated in nVent's product instruction sheets and training materials. Instruction sheets are available at [www.nvent.com](http://www.nvent.com) and from your nVent customer service representative. Improper installation, misuse, misapplication or other failure to completely follow nVent's instructions and warnings may cause product malfunction, property damage, serious bodily injury and death and/or void your warranty.



Our powerful portfolio of brands:  
**nVent.com** **CADDY ERICO HOFFMAN RAYCHEM SCHROFF**  
**TRACER**