

BRANCH LINE RESTRAINT PIPE ATTACHMENT



CERTIFICATIONS



FEATURES

Accepts 3/8" or 1/2" (M10 or M12) threaded rod

Quick grip clamp simplifies measuring and cutting of threaded rod

Eliminates need to cut threaded rod to exact dimensions

Works with rough-cut threaded rod and eliminates pipe-side deburring

Can be installed with threaded rod above or below the service pipe

Shear-off head helps ensure correct torque and simplifies inspection

SPECIFICATIONS

Finish: Electrogalvanized

Material: Steel

Table 1/2

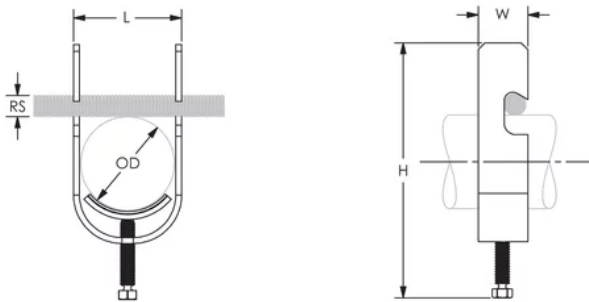
Catalog Number	Article Number	NB/DN	Pipe Size	Outer Diameter (OD)	Length (L)	Rod Size (RS)
CSBRRP0100EG	404477	25	1in	33.4mm	41.4mm	10, 12

Catalog Number	Article Number	NB/DN	Pipe Size	Outer Diameter (OD)	Length (L)	Rod Size(RS)
CSBBRP0125EG	404478	32	1.25in	42.2mm	50mm	10, 12
CSBBRP0150EG	404479	40	1.5in	48.3mm	56.1mm	10, 12
CSBBRP0200EG	404480	50	2in	60.3mm	68.3mm	10, 12

Table 2/2

Catalog Number	Article Number	Height (H)	Width (W)
CSBBRP0100EG	404477	73.7mm	22.2mm
CSBBRP0125EG	404478	82.6mm	22.2mm
CSBBRP0150EG	404479	88.9mm	22.2mm
CSBBRP0200EG	404480	100.3mm	22.2mm

DIAGRAMS



WARNING

nVent products shall be installed and used only as indicated in nVent's product instruction sheets and training materials. Instruction sheets are available at www.nvent.com and from your nVent customer service representative. Improper installation, misuse, misapplication or other failure to completely follow nVent's instructions and warnings may cause product malfunction, property damage, serious bodily injury and death and/or void your warranty.



Our powerful portfolio of brands:
nVent.com CADDY ERICO HOFFMAN RAYCHEM SCHROFF
TRACER