



NVENT CADDY MICROFIX DOUBLE PIPE STRAP, ADJUSTABLE, 3/8" PIPE, 10 DN

CATALOG NUMBER

MDS019



FEATURES

Fast installation of parallel pipes from a single anchor

Height adjustable

Category II noise reduction according to DIN EN ISO 3822-1

Compliant for sound insulation design according to DIN 4109

Reaction-to-fire classification is "E" in compliance with DIN EN 13501-1

PRODUCT ATTRIBUTES

Article Number: 400660

Material: Steel;EPDM-SBR Rubber

Finish: Electrogalvanized

Color: Black

Temperature: -50 to 110 °C

Pipe Size: 3/8"

NB/DN: 10

Outer Diameter (OD): 15 - 19 mm

Width (W): 20 mm

Thickness (T): 0.8 mm

A: 60 mm

B: 54 mm

Static Load (F): 450N

C: 2 mm

D: 20 mm

E: 8.5 mm

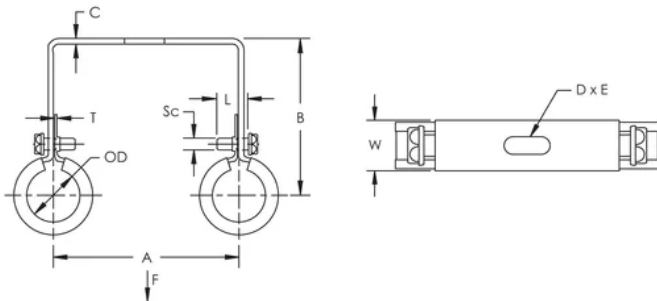
Screw Diameter (Sc): 6

Screw Length (L): 20mm

ADDITIONAL PRODUCT DETAILS

Lining is EPDM rubber.

DIAGRAMS



WARNING

nVent products shall be installed and used only as indicated in nVent's product instruction sheets and training materials. Instruction sheets are available at www.nvent.com and from your nVent customer service representative. Improper installation, misuse, misapplication or other failure to completely follow nVent's instructions and warnings may cause product malfunction, property damage, serious bodily injury and death and/or void your warranty.

North America

+1.800.753.9221

Option 1 – Customer Care

Option 2 – Technical Support

Europe

Netherlands:

+31 800-0200135

France:

+33 800 901 793

Europe

Germany:

800 1890272

Other Countries:

+31 13 5835404

APAC

Shanghai:

+ 86 21 2412 1618/19

Sydney:

+61 2 9751 8500



Our powerful portfolio of brands:
nVent.com **CADDY ERICO HOFFMAN RAYCHEM SCHROFF**
TRACER

© 2025 nVent. All nVent marks and logos are owned or licensed by nVent Services GmbH or its affiliates. All other trademarks are the property of their respective owners.

nVent reserves the right to change specifications without notice.