



BRANCH LINE RESTRAINT STRUCTURE ATTACHMENT TO WOOD/CONCRETE



CERTIFICATIONS



FEATURES

Swivel barrel nut accepts 3/8" or 1/2" (M10 or M12) threaded rod

Attaches to wood or concrete where cracked concrete approval is not needed

SPECIFICATIONS

Finish: Electrogalvanized

Material: Steel

Table 1/2

Catalog Number	Article Number	Rod Size (RS)	Height (H)	Length (L)	Width (W)	Screw Diameter (Sc)
CSBBRS2EG		3/8, 1/2	28.2 mm	40.4 mm	26.9 mm	1/4"
CSBBRS2MEG	402240	10, 12	28.2 mm	40.4 mm	26.9 mm	1/4"

Table 2/2

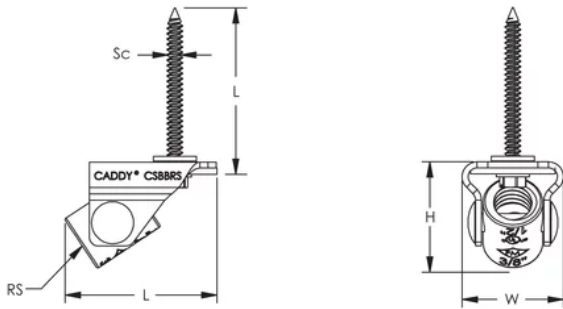
Catalog Number	Article Number	Screw Length (L)	Drill Bit Diameter
CSBBRS2EG		44.5mm	5mm

Catalog Number	Article Number	Screw Length (L)	Drill Bit Diameter
CSBBRS2MEG	402240	44.5mm	5mm

ADDITIONAL PRODUCT DETAILS

Branch line structural attachments are for restraint only and not for the hanging of fire sprinkler piping.

DIAGRAMS



WARNING

nVent products shall be installed and used only as indicated in nVent's product instruction sheets and training materials. Instruction sheets are available at www.nvent.com and from your nVent customer service representative. Improper installation, misuse, misapplication or other failure to completely follow nVent's instructions and warnings may cause product malfunction, property damage, serious bodily injury and death and/or void your warranty.

North America

+1.800.753.9221
Option 1 – Customer Care
Option 2 – Technical Support

Europe

Netherlands:
+31 800-0200135
France:
+33 800 901 793

Europe

Germany:
800 1890272
Other Countries:
+31 13 5835404

APAC

Shanghai:
+ 86 21 2412 1618/19
Sydney:
+61 2 9751 8500



Our powerful portfolio of brands:
nVent.com **CADDY ERICO HOFFMAN RAYCHEM SCHROFF**
TRACER