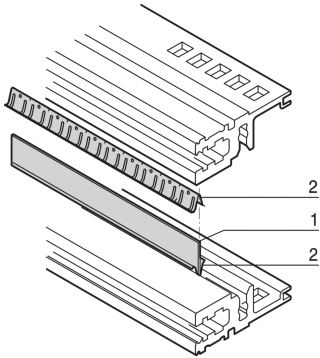


EUROPACPRO EMC SHIELDING KIT, BETWEEN HORIZONTAL RAILS



The contact strip makes contact between horizontal rails. If two horizontal rails are mounted one above the other, the seals plus a metal strip enable EMC shielding.

CERTIFICATIONS



FEATURES

If two horizontal rails are mounted one above the other, the seals plus a metal strip enable EMC shielding

SPECIFICATIONS

Table 1/1

Catalog Number	Rack Width	Material	Package Quantity	Length
24562-520	20HP	Stainless Steel, Aluminum	1	107mm
24562-528	28HP	Stainless Steel, Aluminum	1	147mm
24562-540	40HP	Stainless Steel, Aluminum	1	208mm
24562-542	42HP	Stainless Steel, Aluminum	1	218mm
24562-563	63HP	Stainless Steel, Aluminum	1	325mm

Catalog Number	Rack Width	Material	Package Quantity	Length
24562-584	84HP	Stainless Steel, Aluminum	1	431mm

WARNING

nVent products shall be installed and used only as indicated in nVent's product instruction sheets and training materials. Instruction sheets are available at www.nvent.com and from your nVent customer service representative. Improper installation, misuse, misapplication or other failure to completely follow nVent's instructions and warnings may cause product malfunction, property damage, serious bodily injury and death and/or void your warranty.

North America

All locations
+1.763.422.2661
Chat with us:
schroff.nvent.com

Europe

Straubenhardt, Germany
+49.7082.794.0
Betschdorf, France
+33.3.88.90.64.90
Warsaw, Poland
+48.22.209.98.35
Assago, Italy
+39.02.932.7141
Chat with us:
schroff.nvent.com

Asia

Shanghai, China
+86.21.2412.6943
Qingdao, China
+86.532.8771.6101
Singapore
+65.6768.5800
Shin-Yokohama, Japan
+81.45.476.0271
Chat with us:
schroff.nvent.com

Middle East & India

Dubai, United Arab Emirates
+971.4.378.1700
Bangalore, India
+91.80.6715.2001
Istanbul, Turkey
+90.216.250.7374
Chat with us:
schroff.nvent.com



Our powerful portfolio of brands:
nVent.com **CADDY ERICO HOFFMAN RAYCHEM SCHROFF**
TRACER