



BRANCH LINE RESTRAINT PIPE ATTACHMENT



CERTIFICATIONS



FEATURES

Accepts 3/8" or 1/2" (M10 or M12) threaded rod

Quick grip clamp simplifies measuring and cutting of threaded rod

Eliminates need to cut threaded rod to exact dimensions

Works with rough-cut threaded rod and eliminates pipe-side deburring

Can be installed with threaded rod above or below the service pipe

Shear-off head helps ensure correct torque and simplifies inspection

SPECIFICATIONS

Finish: Electrogalvanized

Material: Steel

Table 1/2

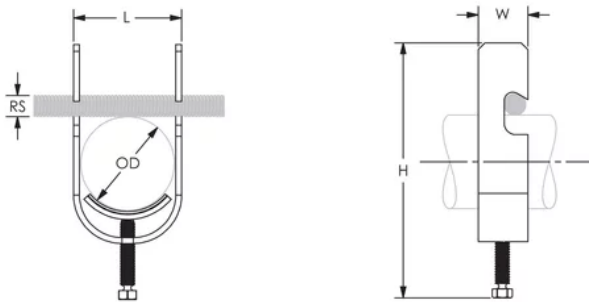
Catalog Number	Article Number	Pipe Size	NB/DN	Outer Diameter (OD)	Rod Size (RS)	Height (H)
CSBRRP0100EG	404477	1"	25	33.4 mm	10, 12	73.7 mm

Catalog Number	Article Number	Pipe Size	NB/DN	Outer Diameter (OD)	Rod Size(RS)	Height (H)
CSBBRP0125EG	404478	1 1/4"	32	42.2 mm	10, 12	82.6 mm
CSBBRP0150EG	404479	1 1/2"	40	48.3 mm	10, 12	88.9 mm
CSBBRP0200EG	404480	2"	50	60.3 mm	10, 12	100.3 mm

Table 2/2

Catalog Number	Article Number	Length (L)	Width (W)
CSBBRP0100EG	404477	41.4 mm	22.2 mm
CSBBRP0125EG	404478	50 mm	22.2 mm
CSBBRP0150EG	404479	56.1 mm	22.2 mm
CSBBRP0200EG	404480	68.3 mm	22.2 mm

DIAGRAMS



WARNING

nVent products shall be installed and used only as indicated in nVent's product instruction sheets and training materials. Instruction sheets are available at www.nvent.com and from your nVent customer service representative. Improper installation, misuse, misapplication or other failure to completely follow nVent's instructions and warnings may cause product malfunction, property damage, serious bodily injury and death and/or void your warranty.

North America

+1.800.753.9221

Option 1 – Customer Care

Option 2 – Technical Support

Europe

Netherlands:

+31 800-0200135

France:

+33 800 901 793

Europe

Germany:

800 1890272

Other Countries:

+31 13 5835404

APAC

Shanghai:

+ 86 21 2412 1618/19

Sydney:

+61 2 9751 8500



Our powerful portfolio of brands:
nVent.com CADDY ERICO HOFFMAN RAYCHEM SCHROFF
TRACER