

BRANCH LINE RESTRAINT STRUCTURE ATTACHMENT TO WOOD/CONCRETE



CERTIFICATIONS



FEATURES

Swivel barrel nut accepts 3/8" or 1/2" (M10 or M12) threaded rod

Attaches to wood or concrete where cracked concrete approval is not needed

SPECIFICATIONS

Table 1/2

Catalog Number	Article Number	Material	Finish	Length (L)	Rod Size (RS)	Screw Diameter (Sc)
CSBBRS2MEG	402240	Steel	Electrogalvanized	40.4mm	10, 12	0.25in

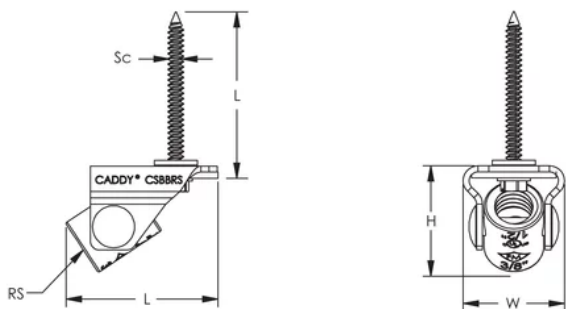
Table 2/2

Catalog Number	Article Number	Height (H)	Screw Length (L)	Width (W)	Drill Bit Diameter
CSBBRS2MEG	402240	28.2mm	44.5mm	26.9mm	5mm

ADDITIONAL PRODUCT DETAILS

Branch line structural attachments are for restraint only and not for the hanging of fire sprinkler piping.

DIAGRAMS



WARNING

nVent products shall be installed and used only as indicated in nVent's product instruction sheets and training materials. Instruction sheets are available at www.nvent.com and from your nVent customer service representative. Improper installation, misuse, misapplication or other failure to completely follow nVent's instructions and warnings may cause product malfunction, property damage, serious bodily injury and death and/or void your warranty.



Our powerful portfolio of brands:
nVent.com CADDY ERICO HOFFMAN RAYCHEM SCHROFF
TRACER