



NVENT CADDY SPEED LINK SLS WITH HOOK



CERTIFICATIONS



FEATURES

Complete system includes wire, locking device and pre-assembled hook end fitting

Hooks to a wide range of nVent CADDY fasteners

Fastens to the building structure or hanging services by looping around and hooking to wire rope

Easy to remove for applications requiring maintenance

Spring latch helps provide secure connection

Insert cable through hole and use bottom side of hook as an end stop

Finger tightening of nut secures the locking device into position without tools

Installs in strut profiles without the need to insert fingers or tools into the strut

SPECIFICATIONS

| | |
|-----------------------------------|--------------------------------|
| Static Load Safety Factor: | 5:1 |
| Finish: | Electrogalvanized |
| Material: | Steel;Zinc Alloy;Polypropylene |
| Complies With: | SMACNA HVAC-DCS |

| Catalog Number | SLS2L 1 | SLS2L 10 | SLS2L 2 | SLS2L 3 | SLS2L 7 | SLS3L 1 | SLS3L 10 | SLS3L 2 | SLS3L 3 | SLS3L 5 | SLS3L 7 |
|-----------------------|------------------------|------------------------|------------------------|------------------------|------------------------|-------------------------|-------------------------|-------------------------|-------------------------|-------------------------|-------------------------|
| Article Number | 196741 | 196746 | 196742 | 196743 | 196745 | 196747 | 196752 | 196748 | 196749 | 196750 | 196751 |
| Wire Rope Diameter | 2 mm | 2 mm | 2 mm | 2 mm | 2 mm | 3 mm | 3 mm | 3 mm | 3 mm | 3 mm | 3 mm |
| Wire Rope Length | 1m | 10m | 2m | 3m | 7m | 1m | 10m | 2m | 3m | 5m | 7m |
| A | 57 mm | 57 mm | 57 mm | 57 mm | 57 mm | 57.6 mm | 57.6 mm | 57.6 mm | 57.6 mm | 57.6 mm | 57.6 mm |
| B | 20 mm | 20 mm | 20 mm | 20 mm | 20 mm | 23.2 mm | 23.2 mm | 23.2 mm | 23.2 mm | 23.2 mm | 23.2 mm |
| C | 5.5 mm | 5.5 mm | 5.5 mm | 5.5 mm | 5.5 mm | 6.1 mm | 6.1 mm | 6.1 mm | 6.1 mm | 6.1 mm | 6.1 mm |
| Height 1 (H1) | 53mm | 53mm | 53mm | 53mm | 53mm | 53mm | 53mm | 53mm | 53mm | 53mm | 53mm |
| Height 2 (H2) | 43.5mm | 43.5mm | 43.5mm | 43.5mm | 43.5mm | 46.5mm | 46.5mm | 46.5mm | 46.5mm | 46.5mm | 46.5mm |
| Thread Size (TS) | M8 | M8 | M8 | M8 | M8 | M12 | M12 | M12 | M12 | M12 | M12 |
| Width (W) | 16 mm | 16 mm | 16 mm | 16 mm | 16 mm | 20 mm | 20 mm | 20 mm | 20 mm | 20 mm | 20 mm |
| Hole Size (HS) | 8 - 10 mm | 8 - 10 mm | 8 - 10 mm | 8 - 10 mm | 8 - 10 mm | 12 - 14 mm | 12 - 14 mm | 12 - 14 mm | 12 - 14 mm | 12 - 14 mm | 12 - 14 mm |
| Slot Size (SS) | 8 x 6.5 mm - 8 x 10 mm | 8 x 6.5 mm - 8 x 10 mm | 8 x 6.5 mm - 8 x 10 mm | 8 x 6.5 mm - 8 x 10 mm | 8 x 6.5 mm - 8 x 10 mm | 12 x 10 mm - 12 x 14 mm | 12 x 10 mm - 12 x 14 mm | 12 x 10 mm - 12 x 14 mm | 12 x 10 mm - 12 x 14 mm | 12 x 10 mm - 12 x 14 mm | 12 x 10 mm - 12 x 14 mm |
| Thickness (T) | 4 mm Max | 4 mm Max | 4 mm Max | 4 mm Max | 4 mm Max | 6 mm Max | 6 mm Max | 6 mm Max | 6 mm Max | 6 mm Max | 6 mm Max |
| Static Load (F) | 270N | 270N | 270N | 270N | 270N | 670N | 670N | 670N | 670N | 670N | 670N |
| Packing Quantity | 1.0000 | 1.0000 | 1.0000 | 1.0000 | 1.0000 | 1.0000 | 1.0000 | 1.0000 | 1.0000 | 1.0000 | 1.0000 |

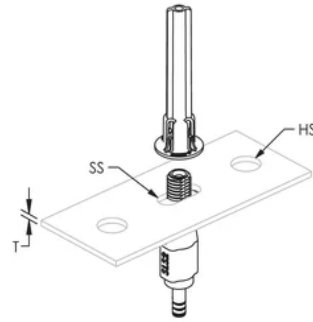
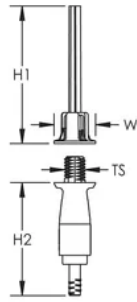
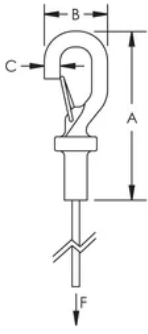
ADDITIONAL PRODUCT DETAILS

The 2 mm locking device is compatible with C-Channel Types E0 and E0L.

The 3 mm locking device is compatible with C-Channel Types E1, E2, E2L, E3, E4, E5, Strut Channel Type C, Slotted, Strut Channel Type A, Slotted, Strut Channel Type AS, Perforated, Strut Channel Type CC, Slotted, Strut Channel Type AA, Slotted.

Total load per wire on a multi-tier trapeze must not exceed static load.

DIAGRAMS



WARNING

nVent products shall be installed and used only as indicated in nVent's product instruction sheets and training materials. Instruction sheets are available at www.nvent.com and from your nVent customer service representative. Improper installation, misuse, misapplication or other failure to completely follow nVent's instructions and warnings may cause product malfunction, property damage, serious bodily injury and death and/or void your warranty.

North America

+1.800.753.9221
Option 1 – Customer Care
Option 2 – Technical Support

Europe

Netherlands:
+31 800-0200135
France:
+33 800 901 793

Europe

Germany:
800 1890272
Other Countries:
+31 13 5835404

APAC

Shanghai:
+ 86 21 2412 1618/19
Sydney:
+61 2 9751 8500



Our powerful portfolio of brands:
nVent.com CADDY ERICO HOFFMAN RAYCHEM SCHROFF
TRACER