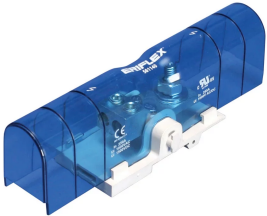


SBLT-250 LUG-TO-TUNNEL POWER TERMINAL



CERTIFICATIONS



FEATURES

- Tinned copper block allows for copper or aluminum conductor connections
- Accessible studs and tunnels allow for easy connection of nVent ERIFLEX Flexibar and other conductors
- Design allows for visual inspection of conductor and confirmation of connection
- Adjustable transparent cover
- Modular snap-together blocks for building multi-pole power blocks
- Easily clips onto DIN rail or mounts to panel with screws
- SBLEC Power Terminals Fixing Accessory required for direct panel mount
- RoHS compliant
- Halogen free

SPECIFICATIONS

Table 1/5

Catalog Number	Article Number	Finish	Max Current Rating, IEC	Max Current Rating, UL/CSA	Short Circuit Current Rating (SCCR)	Peak Short Circuit Current (I _{pk})

SBLT-250	561140	Tinned	350A	300A	100kA	30kA
----------	--------	--------	------	------	-------	------

Table 2/5

Catalog Number	Article Number	Material	Number of Stud Connections	Stud Connection Conductor Width	Short Term Withstand Current (Icw) 1s	Stud Connection Wire Size
SBLT-250	561140	Copper, Thermoplastic	1	20 – 24 mm	8.4kA	#6 - 250 kcmil

Table 3/5

Catalog Number	Article Number	Stud Connection Compact Stranded Wire Size	Number of Tunnel Connections	Max Working Voltage, IEC (Ui)	Max Working Voltage, UL (Vin)	Tunnel Connection Wire Size - Ferrule
SBLT-250	561140	10 – 120 mm ²	2	1000, 1500	1000	(2) 10 – 35 mm ²

Table 4/5

Catalog Number	Article Number	Tunnel Connection Compact Stranded Wire Size	Tunnel Connection Wire Size	Height (H)	Width (W)	Depth (D)
SBLT-250	561140	(2) 10 – 50 mm ²	(2) #8 – 1/0	205.7mm	52.3mm	65mm

Table 5/5

Catalog Number	Article Number	A	Unit Weight	Flammability Rating	Certification Details	Complies With
SBLT-250	561140	108mm	0.27kg	UL® 94V-1	UL® 1059	IEC® 60947-7-1

ADDITIONAL PRODUCT DETAILS

Power terminal connections are interchangeable and can be used as line side or load side connections.

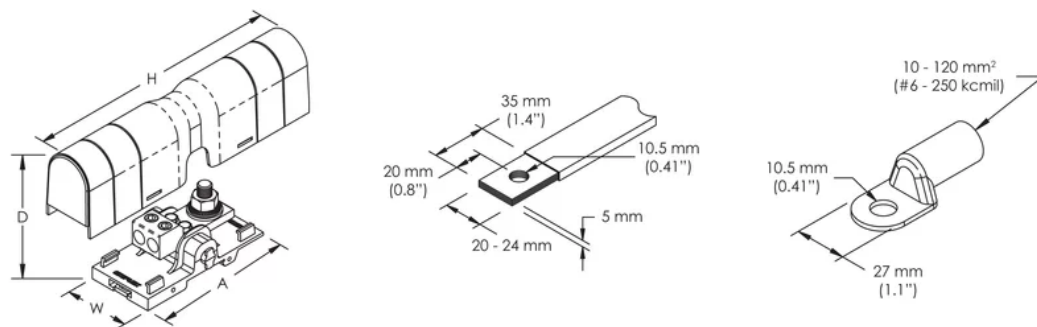
Design Guideline for Distribution Blocks, Power Blocks and Power Terminals

Derating according to Ambient* Temperature (°C) to maintain working temperature of 85°C

Ambient Temperature (°C)	30°	35°	40°	45°	50°	55°	60°	65°	70°	75°
Derating Coefficient (d)	1	1	1	0.94	0.88	0.82	0.75	0.67	0.58	0.47

*environment around the terminal blocks inside the enclosure

DIAGRAMS



WARNING

nVent products shall be installed and used only as indicated in nVent's product instruction sheets and training materials. Instruction sheets are available at www.nvent.com and from your nVent customer service representative. Improper installation, misuse, misapplication or other failure to completely follow nVent's instructions and warnings may cause product malfunction, property damage, serious bodily injury and death and/or void your warranty.



Our powerful portfolio of brands:
nVent.com **CADDY ERICO HOFFMAN RAYCHEM SCHROFF**
TRACER