

# BRANCH LINE RESTRAINT STRUCTURE ATTACHMENT TO WOOD/CONCRETE



## CERTIFICATIONS



## FEATURES

Swivel barrel nut accepts 3/8" or 1/2" (M10 or M12) threaded rod

Attaches to wood or concrete where cracked concrete approval is not needed

## SPECIFICATIONS

**Finish:** Electrogalvanized

**Material:** Steel

Table 1/2

Catalog Number	Article Number	Length (L)	Rod Size (RS)	Screw Diameter (Sc)	Height (H)	Screw Length (L)
CSBBRS2EG		40.4mm	0.375, 0.5	0.25in	28.2mm	44.5mm
CSBBRS2MEG	402240	40.4mm	10, 12	0.25in	28.2mm	44.5mm

Table 2/2

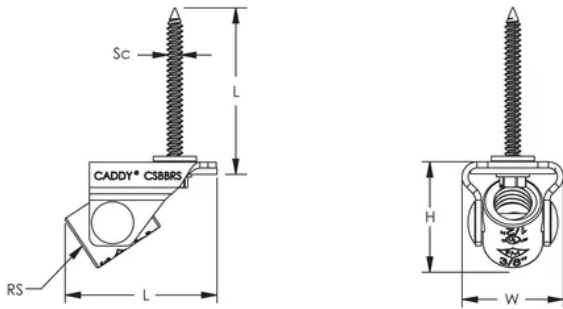
Catalog Number	Article Number	Width (W)	Drill Bit Diameter
CSBBRS2EG		26.9mm	5mm

Catalog Number	Article Number	Width (W)	Drill Bit Diameter
CSBBRS2MEG	402240	26.9mm	5mm

## ADDITIONAL PRODUCT DETAILS

Branch line structural attachments are for restraint only and not for the hanging of fire sprinkler piping.

## DIAGRAMS



## WARNING

nVent products shall be installed and used only as indicated in nVent's product instruction sheets and training materials. Instruction sheets are available at [www.nvent.com](http://www.nvent.com) and from your nVent customer service representative. Improper installation, misuse, misapplication or other failure to completely follow nVent's instructions and warnings may cause product malfunction, property damage, serious bodily injury and death and/or void your warranty.



Our powerful portfolio of brands:  
**nVent.com CADDY ERICO HOFFMAN RAYCHEM SCHROFF**  
**TRACER**