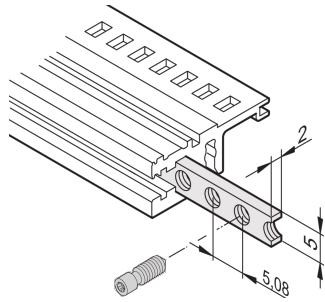


INPAC THREADED INSERT



The threaded insert is a metal strip with thread M2.5 and allows the fixing of front panels.

FEATURES

St, zinc-plated, 75 HP, M2.5

SPECIFICATIONS

Table 1/1

Catalog Number	Rack Width	Package Quantity	Product Type	Product Family	Works With
20828-132	75 HP	2	Threaded Insert	Inpac	Cases

WARNING

nVent products shall be installed and used only as indicated in nVent's product instruction sheets and training materials. Instruction sheets are available at www.nvent.com and from your nVent customer service representative. Improper installation, misuse, misapplication or other failure to completely follow nVent's instructions and warnings may cause product malfunction, property damage, serious bodily injury and death and/or void your warranty.



Our powerful portfolio of brands:
nVent.com CADDY ERICO HOFFMAN RAYCHEM SCHROFF
TRACER