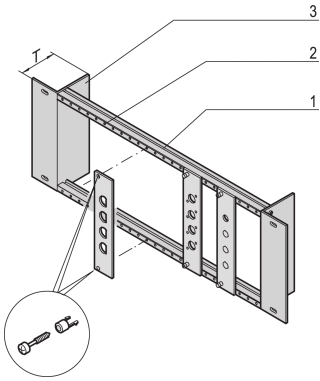


19" MODULE SUPPORT



Module support is needed for assembly of partial width front panels with SUB-D-, ST type 3 or FDDI cut-outs, with or without strain relief rail.

CERTIFICATIONS



FEATURES

For assembly of partial width front panels with SUB-D-, ST type 3 or FDDI cut-outs

Optional front panels Al, 2,5 mm, RAL 7035

Available in two versions: with or without strain relief rail

SPECIFICATIONS

Table 1/1

Catalog Number	Product Type	Accessory Type	Material	Finish	Package Quantity
20118-630	Hardware Kit	Front panel	Steel	Aluminum-Zinc Plated	1

ADDITIONAL PRODUCT DETAILS

Please order front panel with / without cut-outs or quick release fastener separately.

Please order 19" assembly kit separately.

WARNING

nVent products shall be installed and used only as indicated in nVent's product instruction sheets and training materials. Instruction sheets are available at www.nvent.com and from your nVent customer service representative. Improper installation, misuse, misapplication or other failure to completely follow nVent's instructions and warnings may cause product malfunction, property damage, serious bodily injury and death and/or void your warranty.



Our powerful portfolio of brands:
nVent.com CADDY ERICO HOFFMAN RAYCHEM SCHROFF
TRACER